

NOTES:

1. Payment will be made under item 606, Transition Type BR9-GR9, consisting of Concrete Class D with Macrofiber, reinforcing steel, concrete sealer, standard galvanized pipes, dowels, and expansion joint material. The poured joint, expansion joint material, excavation and backfill will not be paid for separately, but shall be included in the work.
2. Rails shall be constructed tapering perpendicular to bridge cross slope (bridge rail side) to plumb (3G/3H side). Vertical dimensions are perpendicular to the longitudinal roadway grade.
3. The top and inside face of the transition rail shall receive a coating conforming to Item 515, Concrete Sealer, compatible with the concrete coating/stain shown in the plan.
4. Concrete and reinforcing steel shall conform to the requirements of Section 601 & 606 and 602 respectively unless otherwise noted.
5. All longitudinal reinforcement shall terminate with standard stirrup hooks as shown. Rotate or adjust reinforcing hooks to avoid interferences as required.

DESIGN DATA:

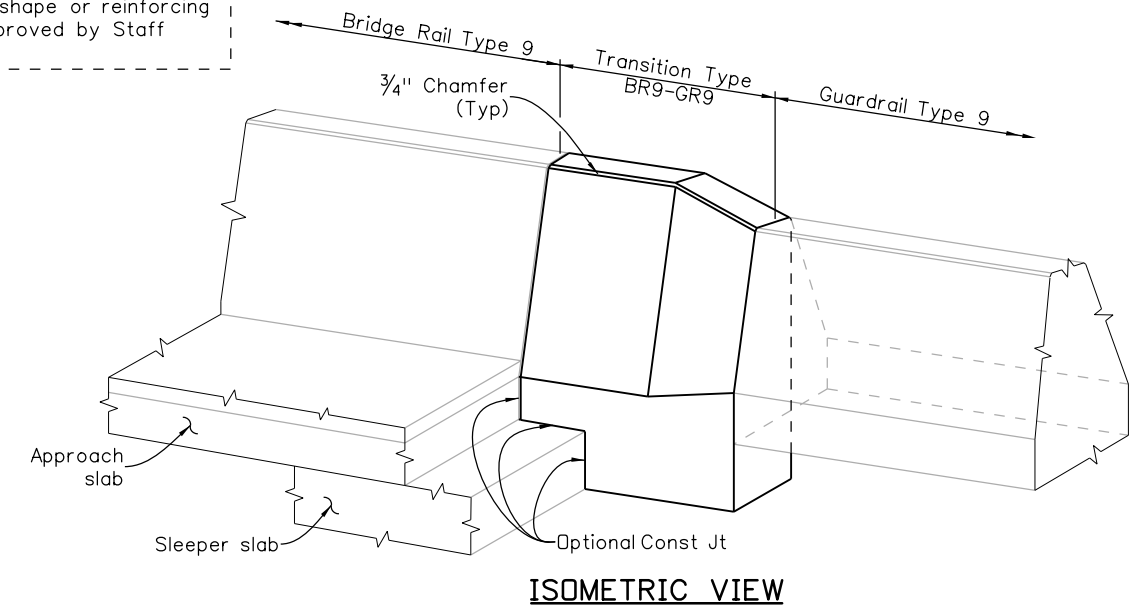
Concrete: Class D with Macrofiber $f'c = 4.5$ KSI
 Reinforcing Steel: $f_y = 60$ KSI Min
 All reinforcing bends shall use a 4D pin diameter.

INFORMATION ONLY

Description	Unit	Each
Structural Steel (Galvanized)	LB	23
Concrete Sealer	SY	3.5
Concrete Class D with Macrofiber	CY	1.3
Reinforcing Steel (Epoxy Coated)	LB	239

Note: Reinforcing dimensions and quantities given for 3" overlay

Designer/Detailer: Any changes to barrier shape or reinforcing shall be approved by Staff Bridge.

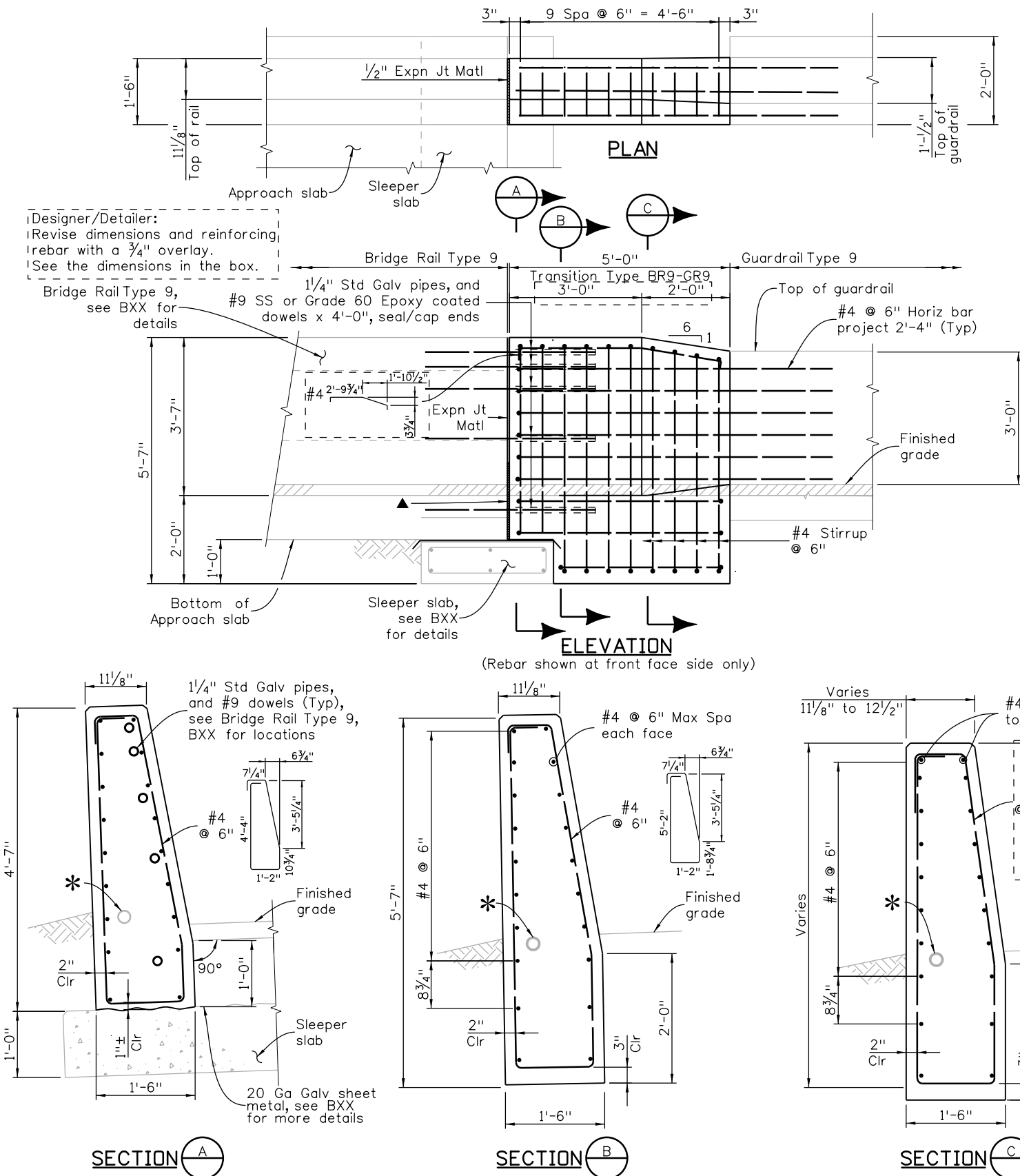


▲ 2" Deep poured joint filler, polysulfide or silicone sealant. Extend up to sidewalk and 6" up face of rail curb.
 * Utility as shown in Plans

Overlay hatching not shown for clarity

Revision Dates	(Preliminary Stage Only)
12/19	1/20
1/20	5/22
5/22	7/22
7/22	3/23

INITIALS	DESIGN	DATE	DETAIL	DATE	QUANTITY	DATE
By						
Checked By						



All seals for this set of drawings are applied to the cover page(s)	Print Date: \$DATE\$	Sheet Revisions		<p>Colorado Department of Transportation 2829 West Howard Place, 3rd Floor Denver, CO 80204 Phone: 303-512-5989 Phone: FAX: 303-757-9197</p>	As Constructed No Revisions: Revised: Void:	TRANSITION TYPE BR9-GR9 SLEEPER VERSION		Project No./Code	
	File Name: Sheet_B-606-9B.dgn	Date:	Comments:					Init.:	Project Number
	Horiz. Scale: Not to Scale Vert. Scale: As Noted					Designer: XXXXXXXX	Structure Numbers: X-XX-XX	Code	
	Unit Information	Unit Leader Initials				Detailer: XXXXXXXX	Subset Sheets: BXX of XXX	Sheet Number	