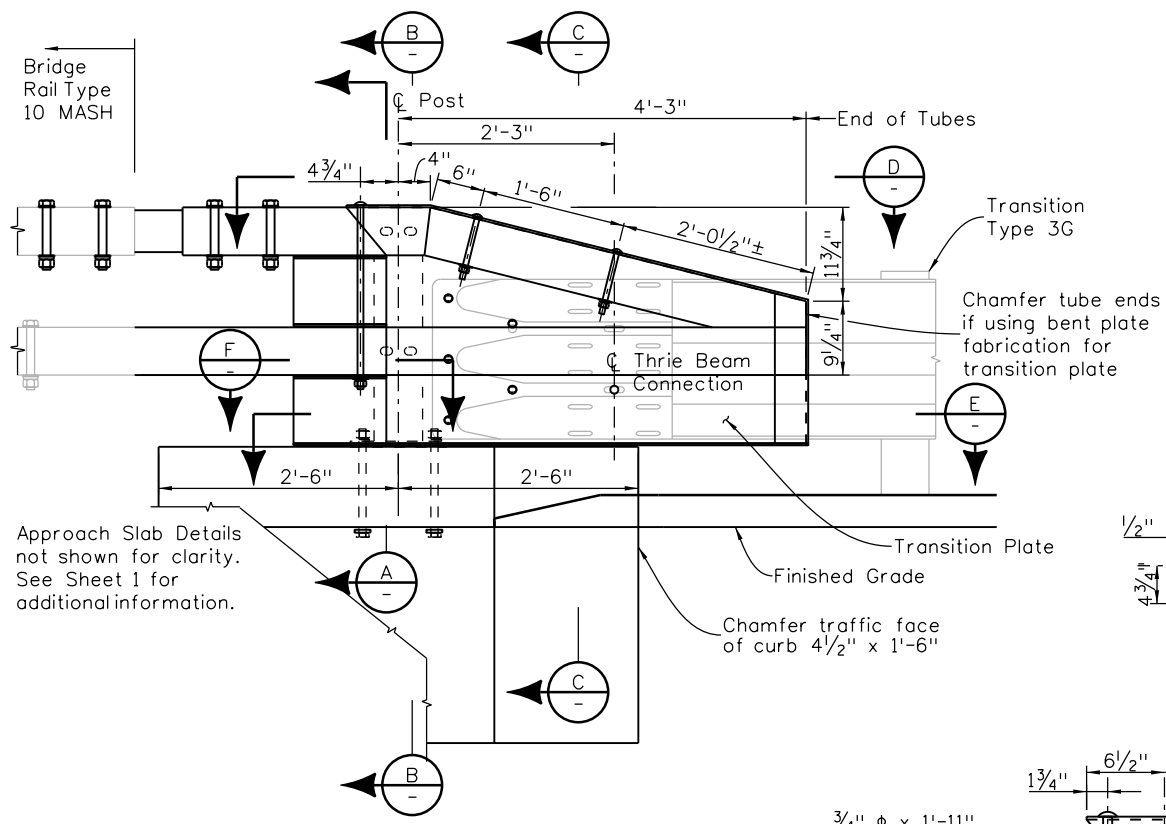


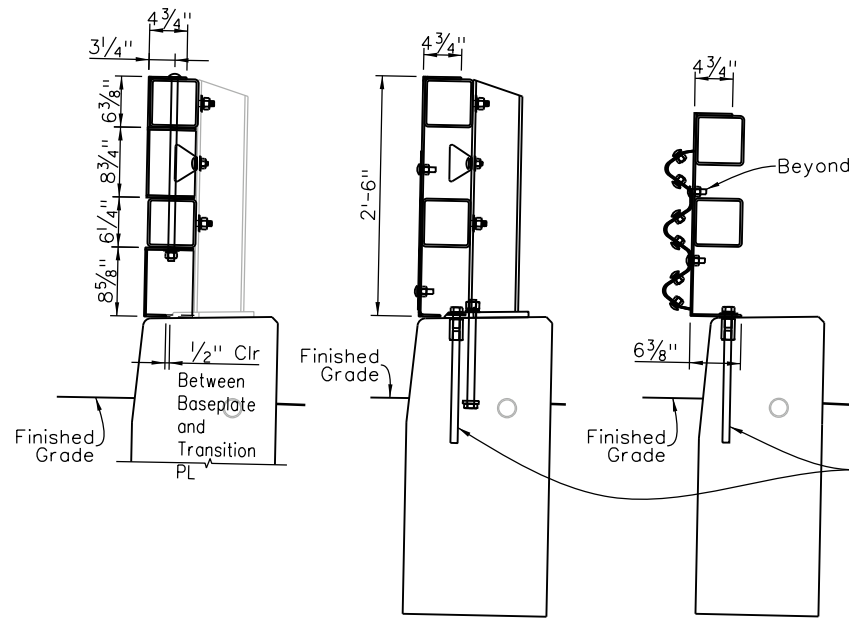
Revision Dates	(Preliminary Stage Only)
12/19	12/19
1/20	7/22

INITIALS	DESIGN	DATE	DETAIL	DATE	QUANTITY	DATE
By						
Checked By						

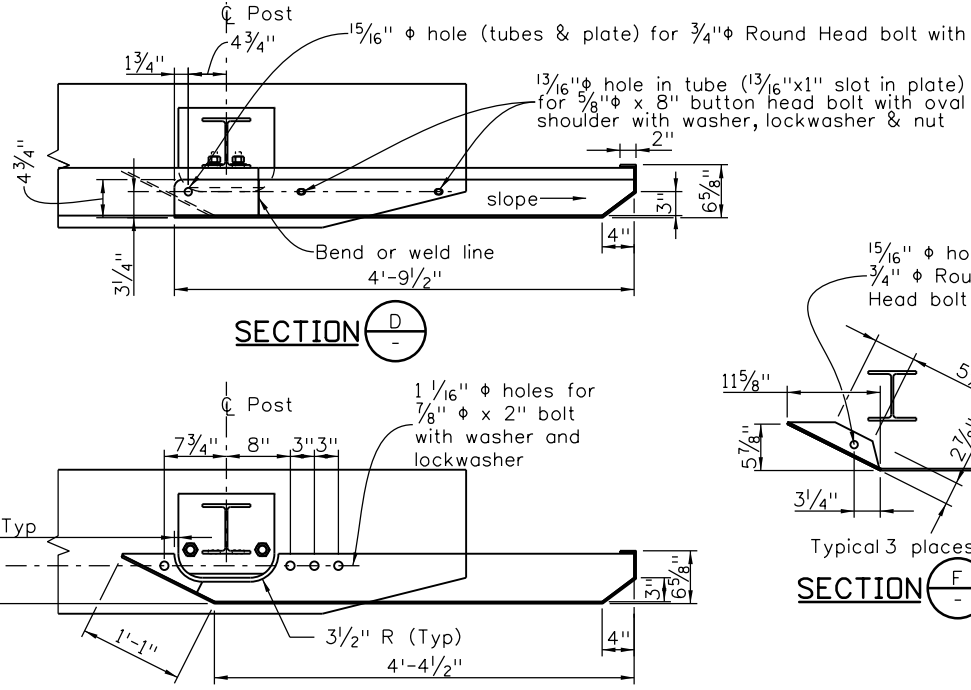


**RAIL TUBE DETAILS**

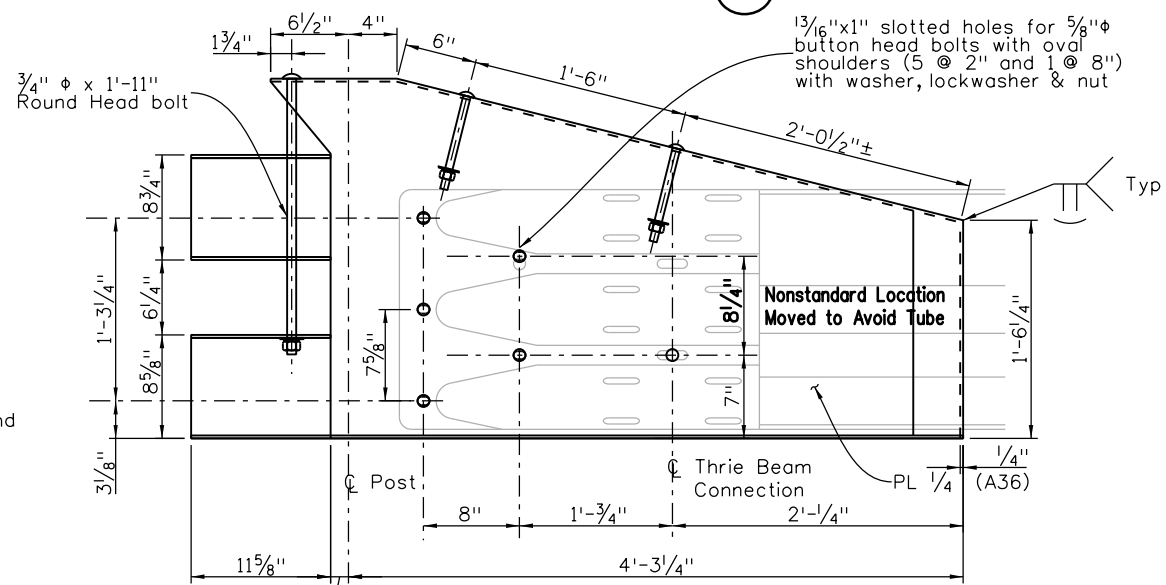
Note: Shaded Linework is from other Pay Items



See Transition BR10M-GR3 Sheet 1 for Curb Details (Typ)



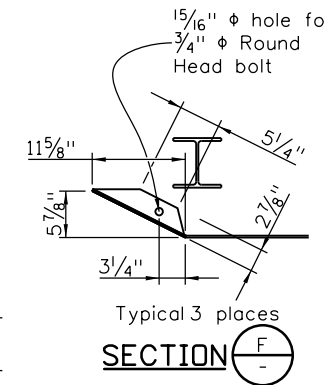
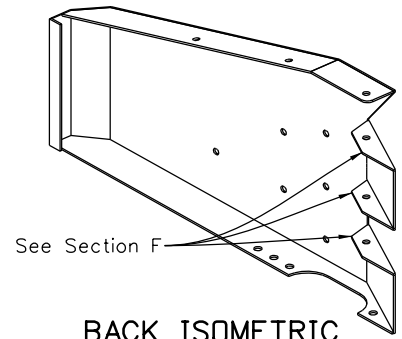
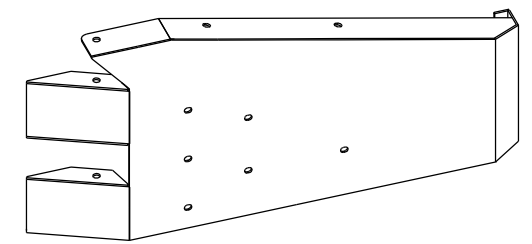
**SECTION E**



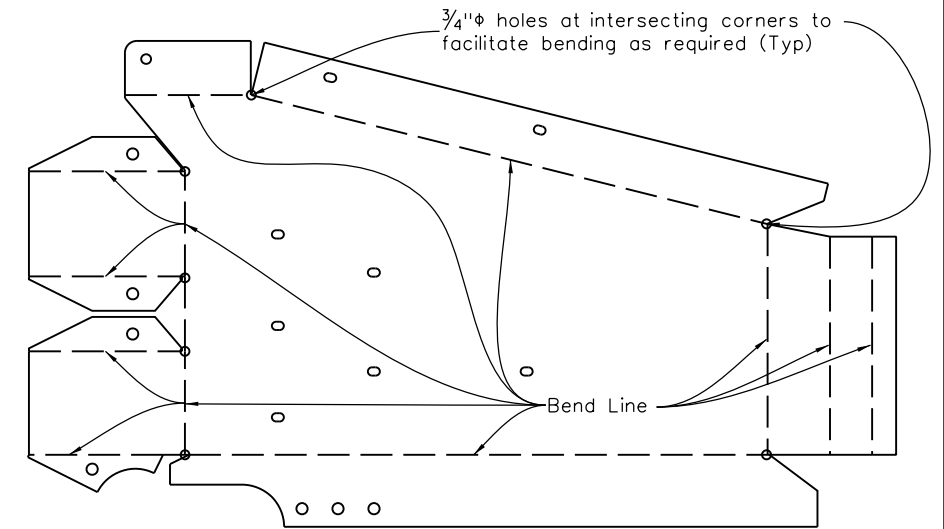
**TRANSITION PLATE**

**TUBE END ISOMETRIC**

**B-606-10MASH B**  
(Use with B-606-10MASH & 10MASH A or 10MASH A-S)



Note: Transition Plate may be fabricated with bent plates and/or welded construction. All welds shall be square root with convex contouring.



Note: See BXX (B-606-10MASH A/A-S) for payment details and quantities.

All seals for this set of drawings are applied to the cover page(s)	Print Date: \$DATE\$	<b>Sheet Revisions</b>			Colorado Department of Transportation 2829 West Howard Place, 3rd Floor Denver, CO 80204 Phone: 303-512-5989 Phone: FAX: 303-757-9197	As Constructed No Revisions: Revised: Void:	<b>TRANSITION TYPE BR10M-GR3 SHEET 2-TUBE AND PLATE DETAILS</b>				Project No./Code
	File Name: Sheet_B-606-10MASHB.dgn	Date:	Comments	Init.			Project Number				
	Horiz. Scale: 1:1    Vert. Scale: As Noted				Staff Bridge Branch		Designer: XXXXXXXX	Structure Numbers: X-XX-XX		Code	
	Unit Information    Unit Leader Initials						Detailer: XXXXXXXX	Subset Sheets: BXX of XXX		Sheet Number	