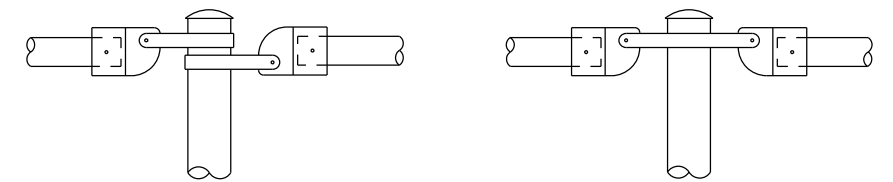
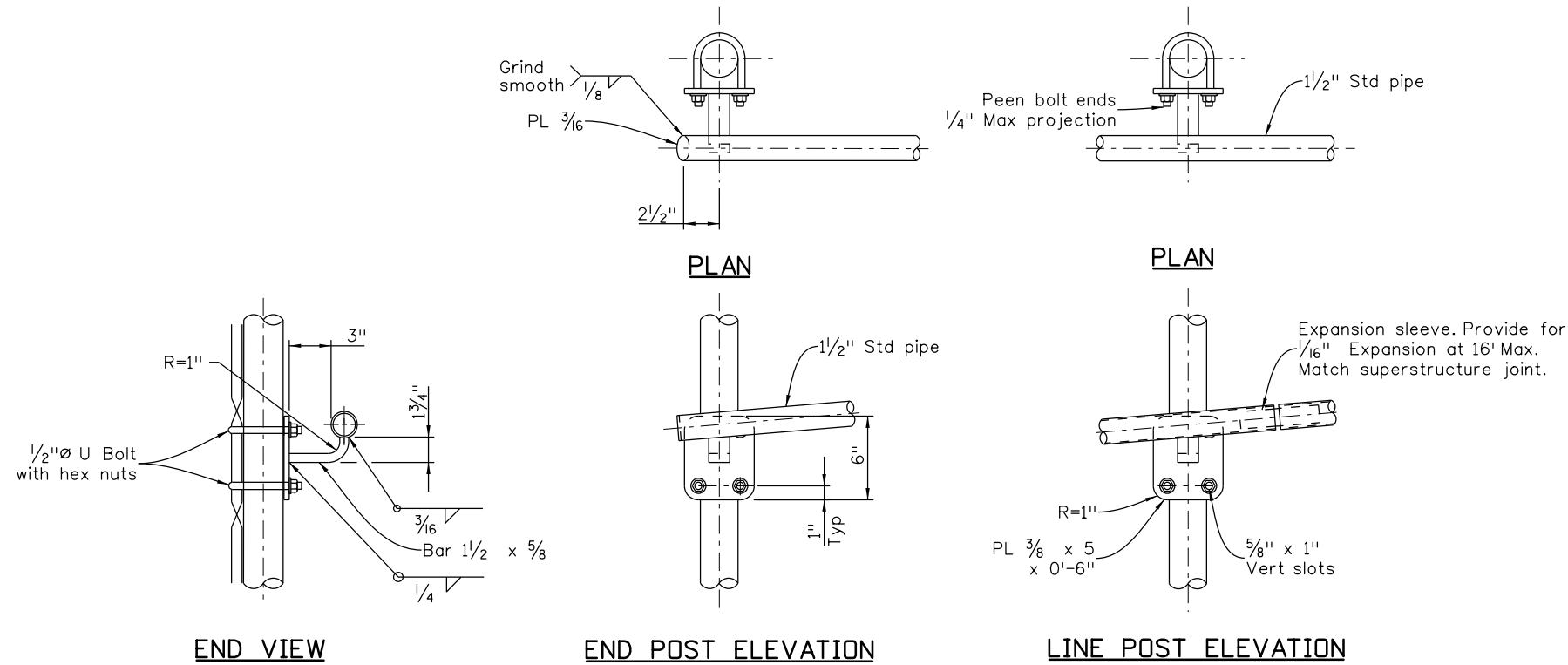
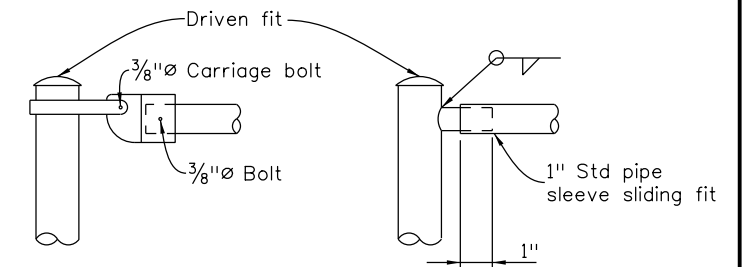


Revision Dates	(Preliminary Stage Only)				
4/93	3/99	11/99	4/02	9/02	3/07
					10/13
					3/23

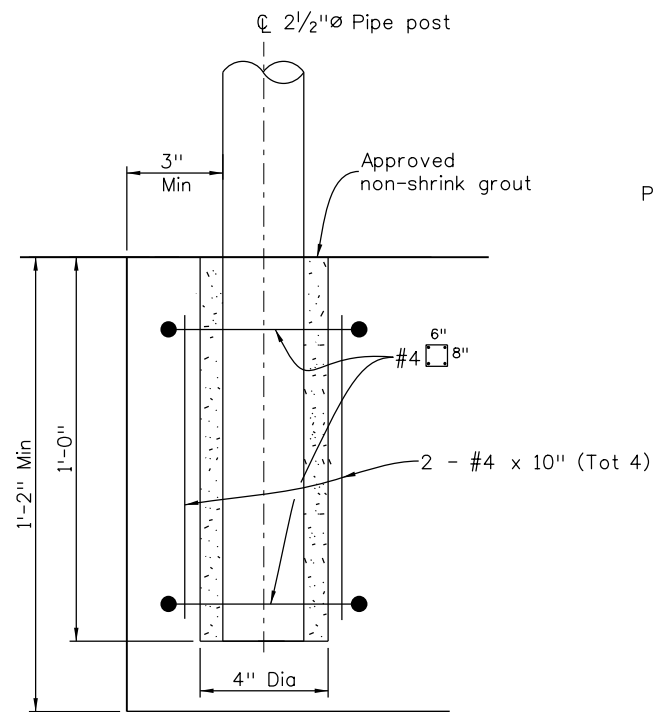
INITIALS	DESIGN	DATE	DETAIL	DATE	QUANTITY	DATE
By						
Checked By						



ALTERNATE TOP RAIL DETAILS

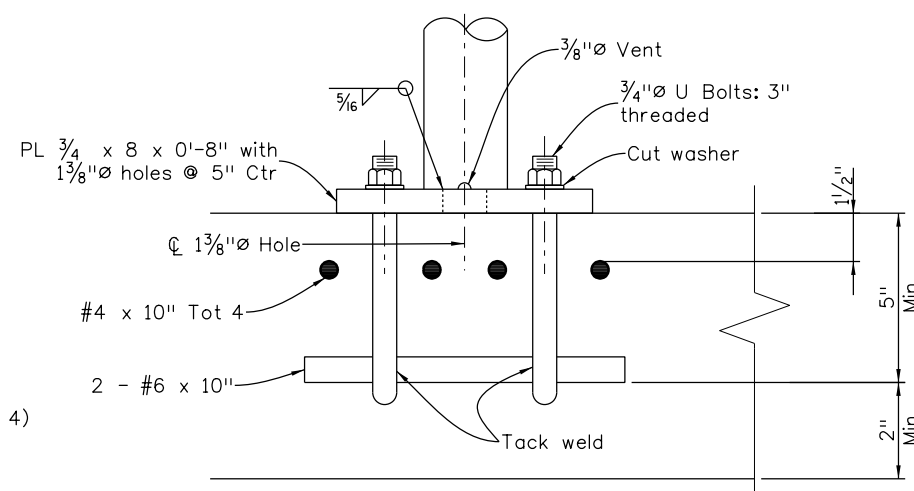


TOP RAIL CONNECTION DETAILS



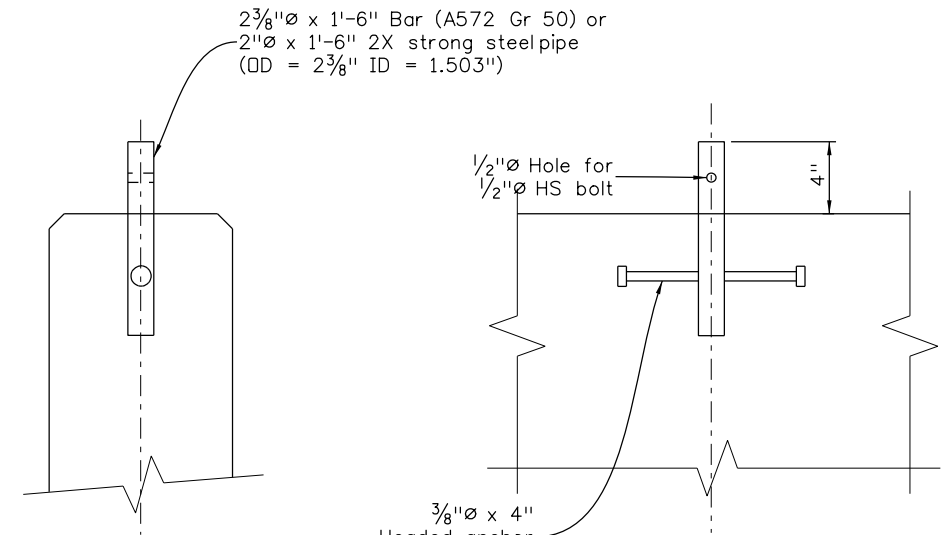
ANCHORAGE DETAIL

May be used when depth of concrete is 1'-2" or more.



ALTERNATE ANCHORAGE DETAIL

May be used when depth of concrete is 7" or more.



SECTION

ELEVATION

ANCHORAGE DETAIL

All seals for this set of drawings are applied to the cover page(s)

Print Date: \$DATE\$
File Name: Sheet_B-607-1.dgn
Horiz. Scale: Not to Scale Vert. Scale: As Noted
Unit Information Unit Leader Initials

Sheet Revisions		
Date:	Comments	Init.

Colorado Department of Transportation

2829 West Howard Place, 3rd Floor  
Denver, CO 80204  
Phone: 303-512-4079  
FAX: 303-757-9197

Staff Bridge Branch

Initials

As Constructed
No Revisions:
Revised:
Void:

FENCE CHAIN LINK SPECIAL DETAILS			
Designer: XXXXXXXX	Structure Numbers	X-XX-XX	Project No./Code
Detailer: XXXXXXXX	Structure Numbers	X-XX-XX	
Sheet Subset: BRIDGE	Subset Sheets: BXX of XXX		Code
			Sheet Number

Project No./Code
Project Number
Code
Sheet Number