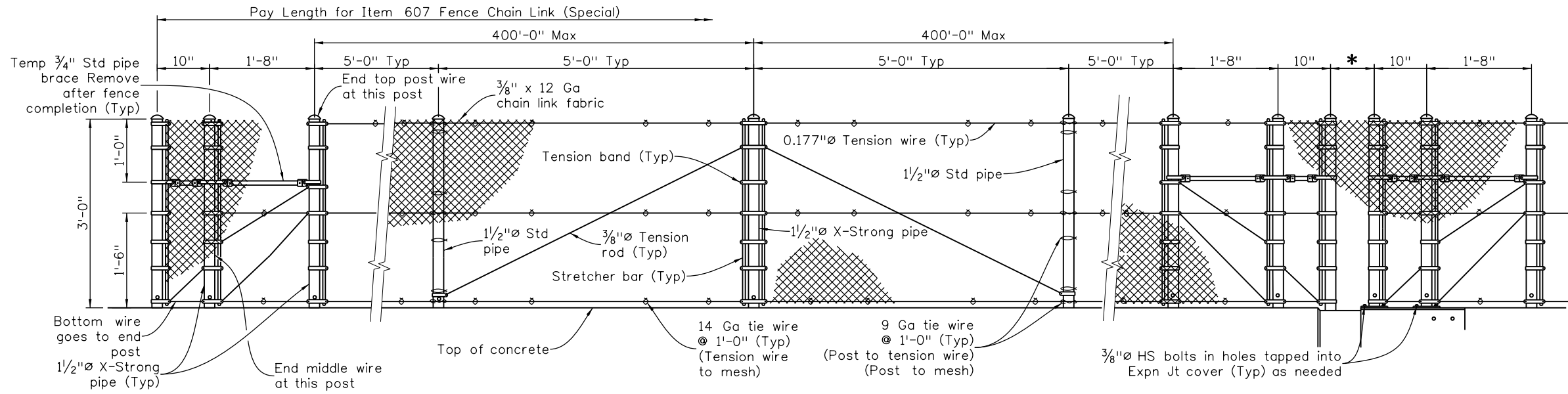


Revision Dates	(Preliminary Stage Only)
4/93	8/94
8/95	3/99
11/99	4/02
3/07	10/13

INITIALS	DESIGN	DATE	DETAIL	DATE	QUANTITY	DATE
By						
Checked By						



**END POSTS**

**LINE POST**

**BRACE POST**  
Spa @ 400' Max

**LINE POST**

**END POSTS AT EXPANSION DEVICE**

**NOTES**

- \* For Steel Bridges:  
Use 1/2 of rated joint motion +6", 8" Min. If not known, rated motion may be assumed to be 1/4" per 100' contributing to motion.
  - \* For Concrete Bridges:  
Use 1/4 of rated joint motion +6", 8" Min. If not known, rated motion may be assumed to be 1/4" per 100' contributing to motion.
- If \* exceeds 10", run mesh over gap with enough slack for 1/2 of rated expansion motion.

1. Anchorage assembly shall be galvanized after fabrication. If vinyl coating is specified, the fence assembly shall be galvanized and vinyl coated after fabrication. Anchorages shall be galvanized after fabrication.
2. Tension Rods and Wires shall have turnbuckles.
3. Posts shall be perpendicular to cross slope when used on type 9 Bridgerail.
4. Pipe shall conform to ASTM A53 Type E or S, Grade B.

**DESIGN DATA**

Test Tension = 5400 Lb  
 Test with: Max Midbay deflection = 1/4" for  
 Lateral Load of 160 Lb on 1 SF  
 1'-6" up at center of bay.

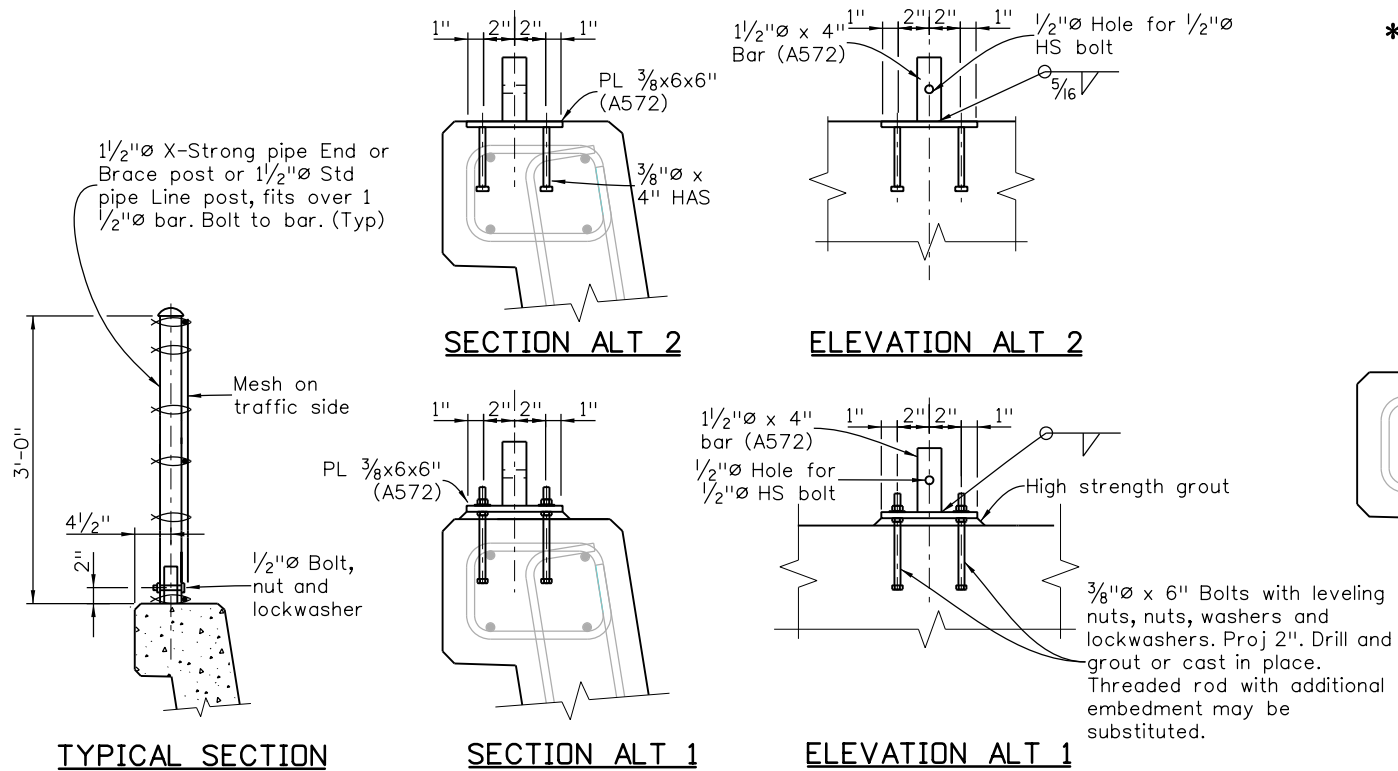
Live Load: wind load = 32 psf  
 or snow impact load = 96 plf at 1'-6" up

Structural Steel: Pipe fy = 35,000 psi  
 ASTM A572 (GR 50) fy = 50,000 psi

Standard Color Vinyl Coatings over Galvanized Wire	Munsell Color System No. (as per ASTM)
Galvanized Only	
Brown	7YR 2.4/1.75
Green	8.8G 2.63/5.8
Black	1.8PB 1.26/0.5

Special Color Vinyl Coatings over Galvanized Wire	Federal Color No	Munsell Color System No

If the specific color of coating is not marked and the Federal Color No or the Munsell Color System No is not given, vinyl coating is not required.



**SECTION ALT 2**

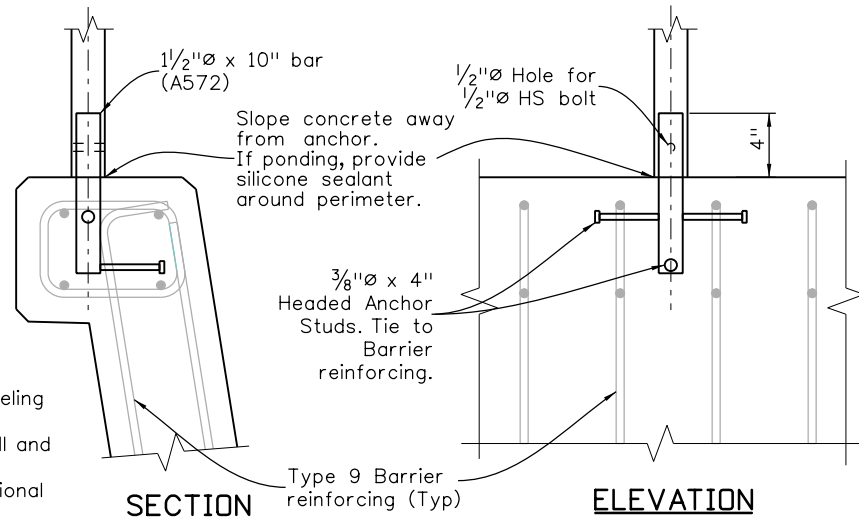
**ELEVATION ALT 2**

**SECTION ALT 1**

**ELEVATION ALT 1**

**ALTERNATE ANCHORAGE DETAILS**

All Elevations: Post position and/or Barrier reinforcing may be adjusted longitudinally for fit.



**SECTION**

**ELEVATION**

**ANCHORAGE DETAIL**

All seals for this set of drawings are applied to the cover page(s)

Print Date: \$DATE\$  
 File Name: Sheet\_B-607-3.dgn  
 Horiz. Scale: Not to Scale Vert. Scale: As Noted  
 Unit Information Unit Leader Initials

Sheet Revisions		
Date:	Comments	Init.

Colorado Department of Transportation

2829 West Howard Place, 3rd Floor  
 Denver, CO 80204  
 Phone: 303-512-4079  
 FAX: 303-757-9197

Staff Bridge Branch

As Constructed
No Revisions:
Revised:
Void:

FENCE CHAIN LINK (SPECIAL)			
36-INCH SPLASH GUARD			
Designer:	XXXXXXXX	Structure Numbers	X-XX-XX
Detailer:	XXXXXXXX	Subset Sheets:	BXX of XXX
Sheet Subset:	BRIDGE		

Project No./Code
Project Number
Code
Sheet Number