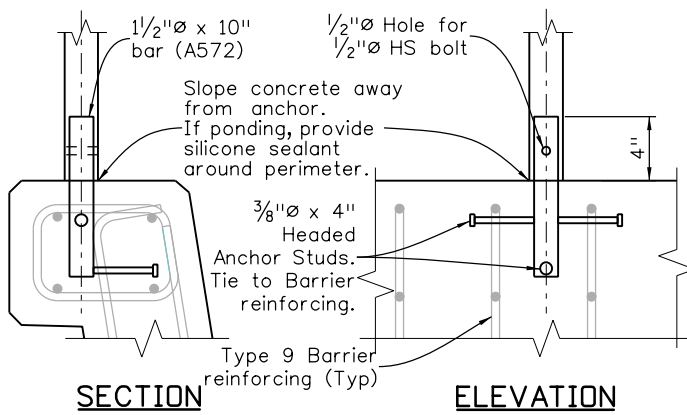
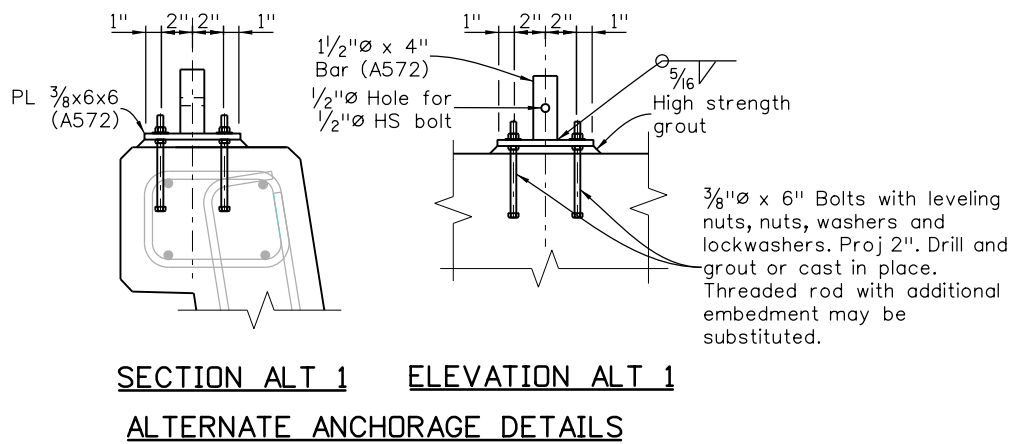
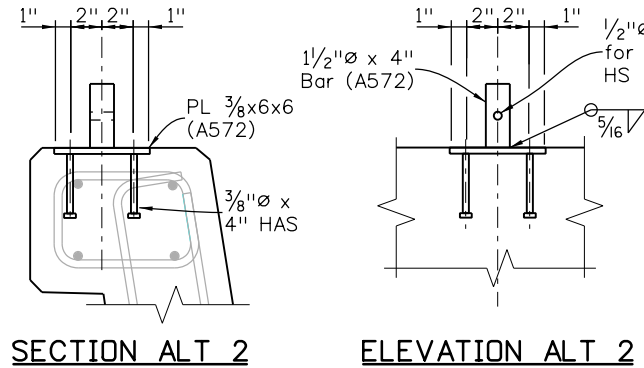
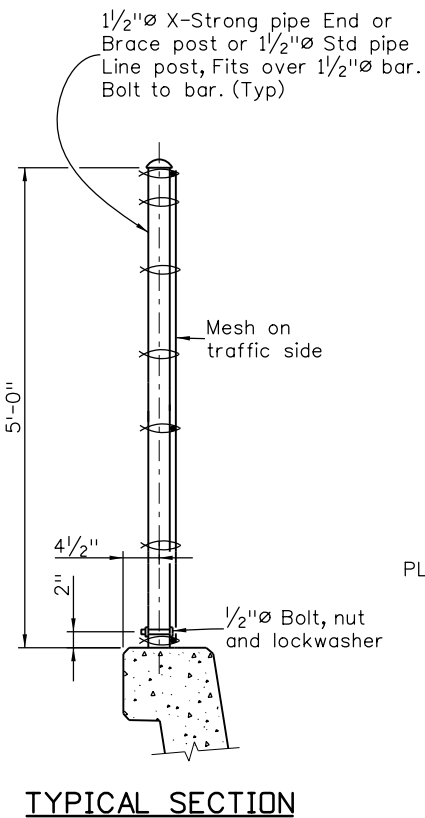


Revision Dates	(Preliminary Stage Only)				
8/96	3/99	11/99	5/00	4/02	3/07
					10/13
					3/23



- * For Steel Bridges:
Use 1/8" of rated joint motion +6", 8" Min. If not known, rated motion may be assumed to be 1/4" per 100' contributing to motion.
- * For Concrete Bridges:
Use 1/4" of rated joint motion +6", 8" Min. If not known, rated motion may be assumed to be 1/4" per 100' contributing to motion.
- If * exceeds 10", run mesh over gap with enough slack for 1/2" of rated expansion motion.

- NOTES**
1. Anchorage assembly shall be galvanized after fabrication. If vinyl coating is specified, the fence assembly shall be galvanized and vinyl coated after fabrication. Anchorages shall be galvanized after fabrication.
 2. Tension Rods and Wires shall have turnbuckles.
 3. Posts shall be perpendicular to cross slope when used on Type 9 Bridgerail.
 4. Pipe shall conform to ASTM A53 Type E or S, Grade B.

DESIGN DATA
 Test Tension = 5400 lbs
 Test with: Max Midbay deflection = 1/4" for Lateral Load of 160 Lb on 1 SF 1'-6" up @ center of bay.
 Live Load: wind load = 11 psf or snow impact load = 96 plf @ 1'-6" up
 Structural Steel: Pipe fy = 35,000 psi
 ASTM A572 (GR 50) fy = 50,000 psi

Standard Color Vinyl Coatings over Galvanized Wire	Munsell Color System No. (as per ASTM)
Galvanized Only	None
Brown	7YR 2.4/1.75
Green	8.8G 2.63/5.8
Black	1.8PB 1.26/0.5

Special Color Vinyl Coatings over Galvanized Wire	Federal Color No	Munsell Color System No

If the specific color of coating is not marked and the Federal Color No or the Munsell Color System No is not given, vinyl coating is not required.

INITIALS	DESIGN	DATE	DETAIL	QUANTITY	DATE
By					
Checked By					

All seals for this set of drawings are applied to the cover page(s)

Print Date: \$DATE\$
 File Name: Sheet_B-607-5.dgn
 Horiz. Scale: Not to Scale Vert. Scale: As Noted
 Unit Information Unit Leader Initials

Sheet Revisions		
Date:	Comments	Init.

Colorado Department of Transportation
 2829 West Howard Place, 3rd Floor
 Denver, CO 80204
 Phone: 303-512-4079
 FAX: 303-757-9197
Staff Bridge Branch

As Constructed
No Revisions:
Revised:
Void:

FENCE CHAIN LINK (SPECIAL) (60 INCH)			
Designer:	XXXXXXXX	Structure	X-XX-XX
Detailer:	XXXXXXXX	Numbers	X-XX-XX
Sheet Subset:	BRIDGE	Subset Sheets:	BXX of XXX

Project No./Code
Project Number
Code
Sheet Number