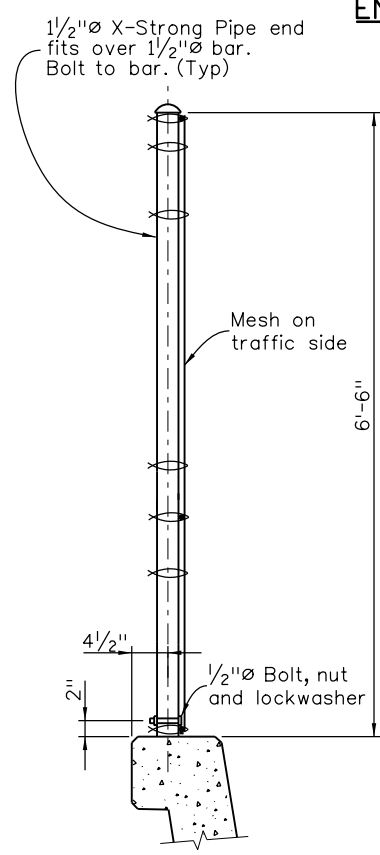


Revision Dates (Preliminary Stage Only)			
6/04	3/07	10/13	3/23



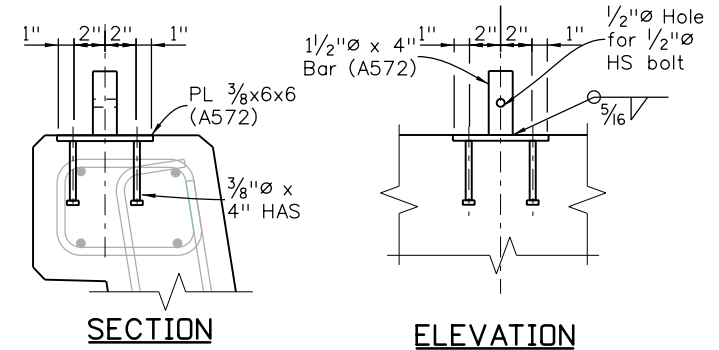
**END POSTS**

**LINE POST**

**BRACE POST**  
Spa @ 400' Max

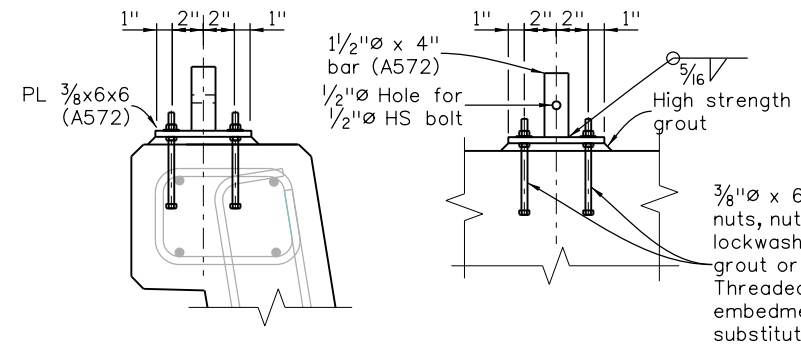
**LINE POST**

**END POSTS AT EXPANSION DEVICE**



**SECTION**

**ELEVATION**

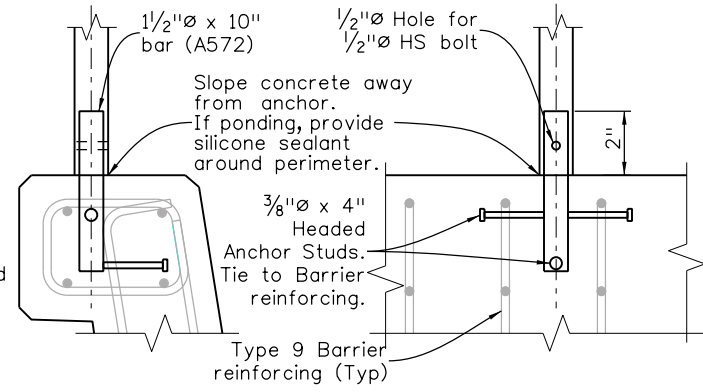


**SECTION**

**ELEVATION**

**ALTERNATE ANCHORAGE DETAILS**

- \* For Steel Bridges:  
Use 7/16 of rated joint motion +6", 8" Min. If not known, rated motion may be assumed to be 1/4" per 100' contributing to motion.
- \* For Concrete Bridges:  
Use 1/4 of rated joint motion +6", 8" Min. If not known, rated motion may be assumed to be 1/4" per 100' contributing to motion. If \* exceeds 10", run mesh over gap with enough slack for 1/2 of rated expansion motion.



**SECTION**

**ELEVATION**

**ANCHORAGE DETAIL**

**NOTES**

1. Anchorage assembly shall be galvanized after fabrication. If vinyl coating is specified, the fence assembly shall be galvanized and vinyl coated after fabrication. Anchorages shall be galvanized after fabrication.
2. Tension rods and wires shall have turnbuckles.
3. Posts shall be vertical.
4. Pipe shall conform to ASTM A53 Type E or S, Grade B.

**DESIGN DATA**

Test Tension = 5400 Lb  
 Test with: Max Midbay deflection = 1/4" for Lateral Load of 160 Lb on 1 SF 1'-6" up @ center of bay

Live Load: wind load = 32 psf 3/8" mesh  
 wind load = 11 psf 1" mesh  
 wind load = 6 psf 2" mesh  
 or snow impact load = 96 plf @ 1'-6" up

Structural Steel: Pipe fy = 35,000 psi  
 ASTM A572 (GR 50) fy = 50,000 psi

Standard Color Vinyl Coatings over Galvanized Wire	Munsell Color System No. (as per ASTM)
Galvanized Only	None
Brown	7YR 2.4/1.75
Green	8.8G 2.63/5.8
Black	1.8PB 1.26/0.5

Special Color Vinyl Coatings over Galvanized Wire	<input type="checkbox"/> Federal Color No.	<input type="checkbox"/> Munsell Color System No.
---	--	---

If the specific color of coating is not marked and the Federal Color No or the Munsell Color System No is not given, vinyl coating is not required.

INITIALS	DESIGN	DATE	DETAIL	DATE	QUANTITY	DATE
By						
Checked By						

All seals for this set of drawings are applied to the cover page(s)

Print Date: \$DATE\$
File Name: Sheet_B-607-778.dgn
Horiz. Scale: Not to Scale Vert. Scale: As Noted
Unit Information Unit Leader Initials

Sheet Revisions		
Date:	Comments	Init.

Colorado Department of Transportation

2829 West Howard Place, 3rd Floor  
 Denver, CO 80204  
 Phone: 303-512-4079  
 FAX: 303-757-9197

**Staff Bridge Branch**

As Constructed
No Revisions:
Revised:
Void:

FENCE CHAIN LINK (SPECIAL) (78 INCH)			
Designer: XXXXXXXX	Structure Numbers	X-XX-XX	Project No./Code
Detailer: XXXXXXXX	Subset Sheets: BXX of XXX	X-XX-XX	
Sheet Subset: BRIDGE			Project Number
			Code
			Sheet Number

Project No./Code
Project Number
Code
Sheet Number

Initials