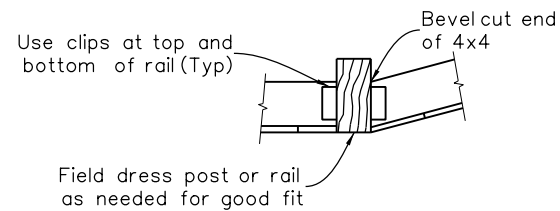
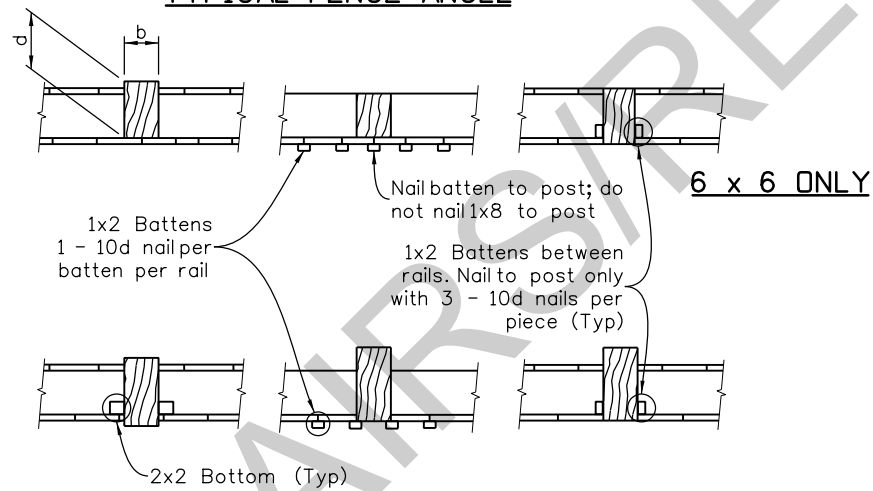


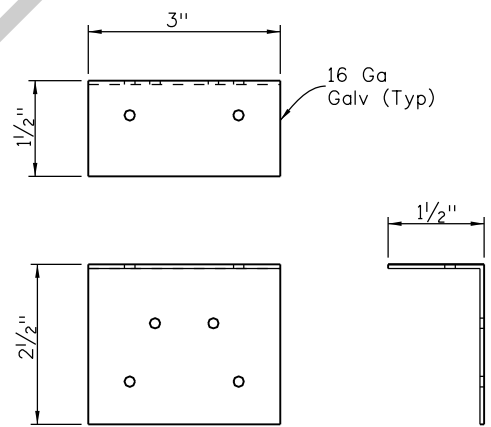
PLAN



TYPICAL FENCE ANGLE



VARIATIONS IN FENCE POST INSTALLATION



CLIP ANGLE DETAIL

(or approved equal)

**NOTES:**

1. Timber shall conform to subsection 508.02 of the Standard Specifications with stresses  $f_b = 1000$  psi (Min) and  $f_v = 65$  psi (Min)
2. All wood dimensions are based on nominal sizes and must be adjusted for dressed material if used.
3. Grade 60 reinforcing steel is required for #4 bars and larger.

**DESIGN DATA:**

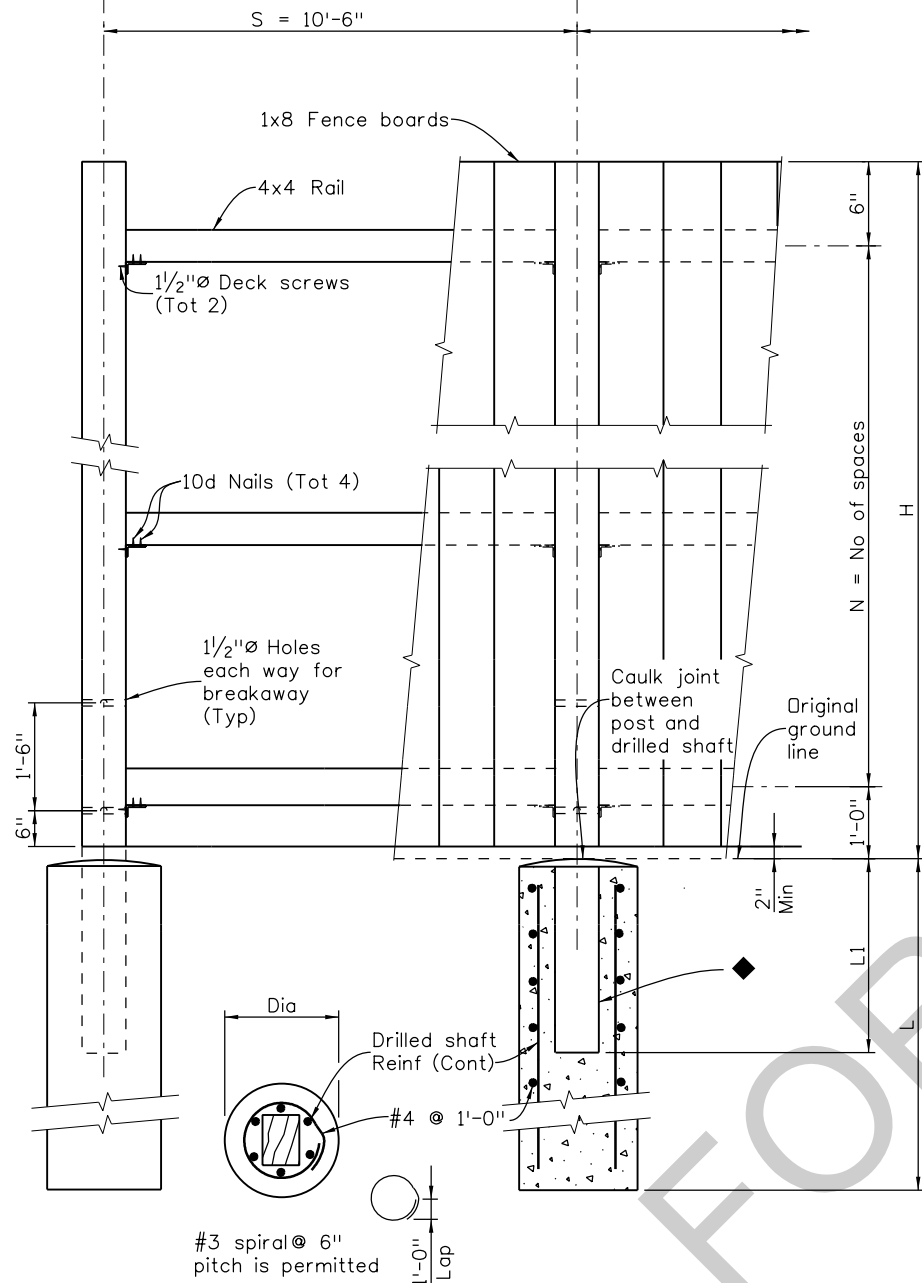
AASHTO Standard Specifications for Structural Design of Sound Barrier, 1989  
 Reinforcing steel: #4 bars and larger,  $f_s = 24,000$  psi,  $f_y = 60,000$  psi  
 Wind Load = 12 psf For walls 6'-0" to 15'-0" high  
 Class B Concrete  $f_c = 1,200$  psi,  $n = 9$

**SOIL PARAMETERS FOR CAISSON DESIGN:**

Compact coarse and fine sand, medium stiff clay weight = 120 Lb/CF,  $\phi = 35^\circ$   
 Special design is required when the height of the sound barrier exceeds 14'-0"

Revision Dates	(Preliminary Stage Only)	3/23
4/93	8/95	3/99
11/99	4/02	3/07
10/13		

INITIALS	DESIGN	DATE	DETAIL	DATE	QUANTITY	DATE
By						
Checked By						



ELEVATION

Height	Post		Caisson				S	H	N
	b	d	L▲	L1▲	Dia▲	Reinf			
6'-0"	6"	6"	4'-0"	3'-0"	1'-4"	6#6	10'-6"	6'-0"	2
8'-0"	6"	6"	4'-6"	3'-6"	1'-4"	6#6	10'-6"	8'-0"	3
10'-0"	6"	8"	5'-0"	4'-0"	1'-6"	6#6	10'-6"	10'-0"	3
12'-0"	6"	10"	5'-6"	4'-0"	1'-8"	6#6	10'-6"	12'-0"	4
14'-0"	6"	10"	6'-0"	4'-0"	1'-8"	6#6	10'-6"	14'-0"	4

▲ Minimum

◆ Wrap embedded portion of post in two layers of 90 Lb roofing felt, over one layer of 4 mil polyethylene. Hold in place with packaging tape.

All seals for this set of drawings are applied to the cover page(s)	Print Date: \$DATE\$	Sheet Revisions			Colorado Department of Transportation		As Constructed		WOOD SOUND BARRIER (TIMBER POST)			Project No./Code	
	File Name: Sheet_B-607-SB1.dgn	Date:	Comments	Init.	2829 West Howard Place, 3rd Floor Denver, CO 80204 Phone: 303-512-4079 FAX: 303-757-9197		No Revisions:		Designer: XXXXXXXX Structure X-XX-XX			Project Number	
	Horiz. Scale: Not to Scale Vert. Scale: As Noted				CDOT		Revised:		Detailer: XXXXXXXX Structure Numbers X-XX-XX			Code	
	Unit Information Unit Leader Initials				Staff Bridge Branch		Void:		Sheet Subset: BRIDGE Subset Sheets: BXX of XXX			Sheet Number	