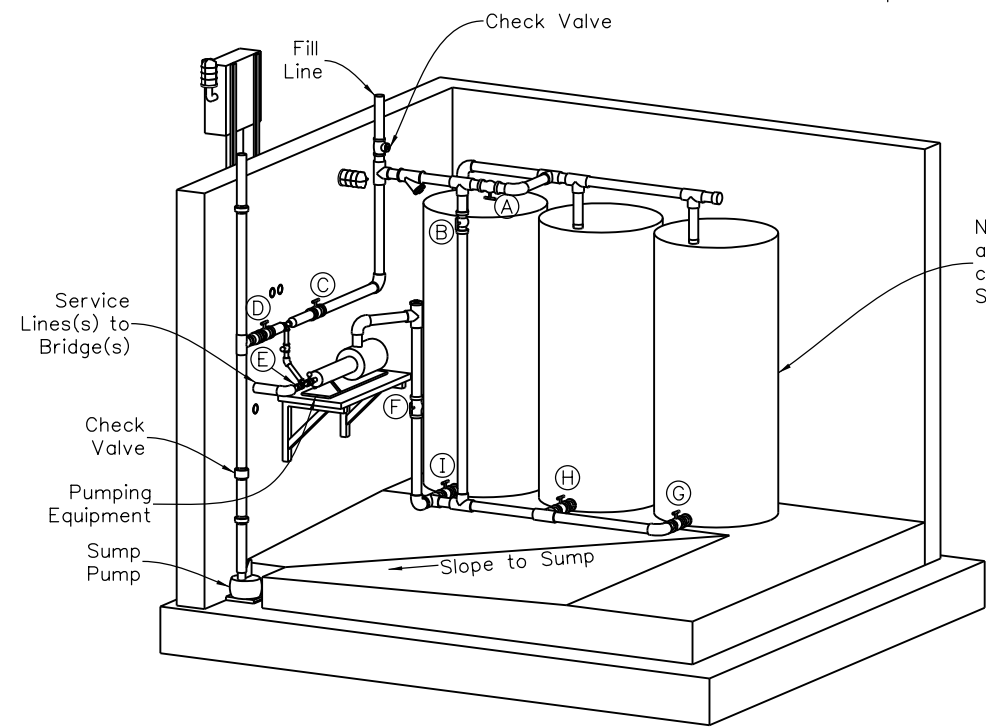
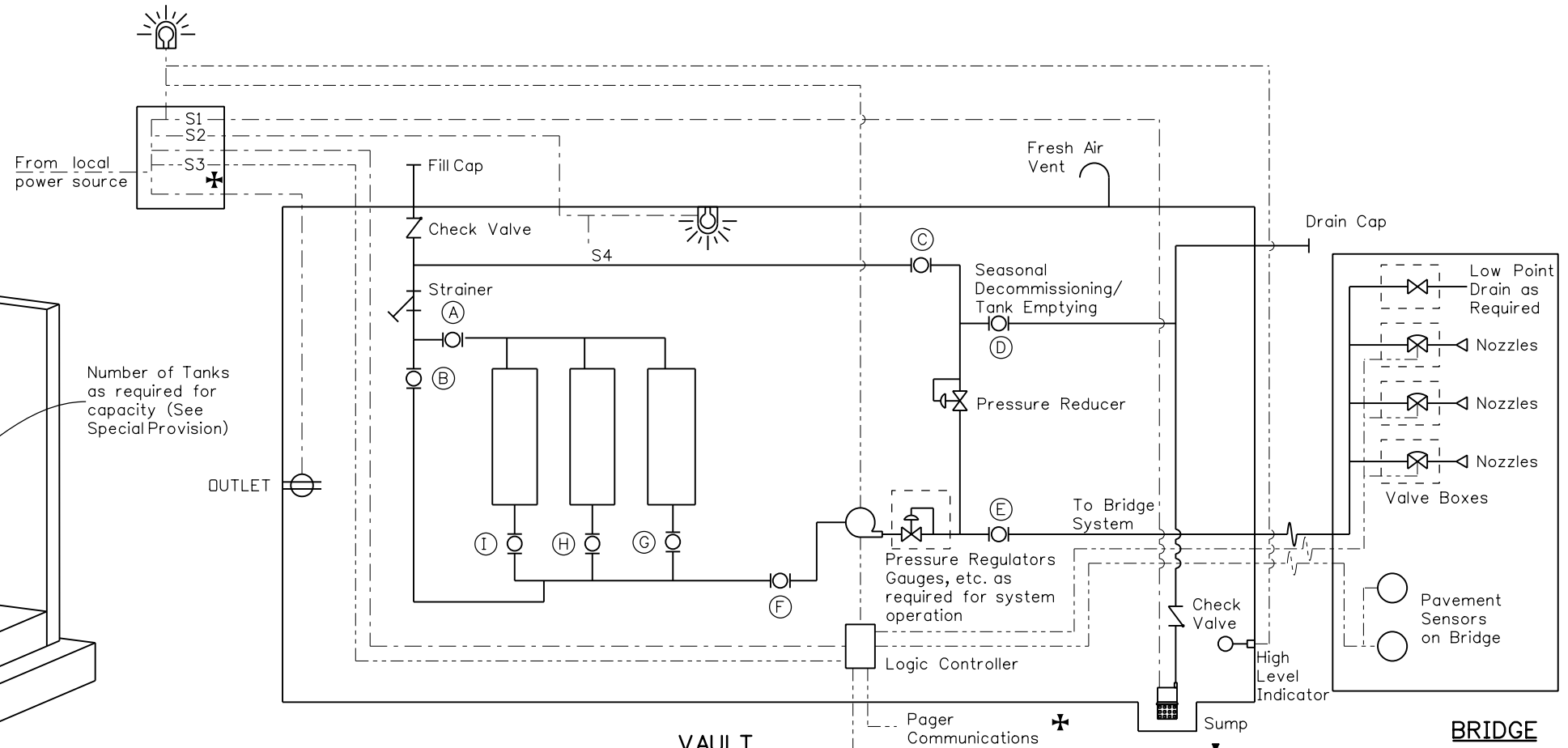


Revision Dates	3/07	10/13	3/23
(Preliminary Stage Only)			
	2/06		



VAULT ISOMETRIC VIEW



VAULT

BRIDGE

- S1 - Sump Switch
- S2 - Light Switch (Exterior)
- S3 - Pump "on" Switch
- S4 - Light Switch (Interior)
- * - Manual Overrides

- Pager Communications *
- Pushbutton Remote Control Device *

NOTES:

1. Piping shown is minimum required. Contractor shall supply and install additional valves and piping as required for system operation, testing and specification requirements.
2. An overpressure line is not shown in the schematic but shall be provided.

SYSTEM SCHEMATIC

DESIGNER/DETAILER:
 Tanks that fit through 3' roof opening have a 220 gallon capacity. Max capacity for current layout is 1320 gallons (6 tanks).
 Drawings for all 4 cases are complete and annotated in the Linework model. Activate only the desired case. DO NOT MOVE MODELS.
 Revise general specification and drawings for capacity required.

VALVE DESIGNATION AND OPERATION CONFIGURATION

OPERATION	(A)	(B)	(C)	(D)	(E)	(F)	(G)	(H)	(I)
BRIDGE ANTI-ICING	OPEN	CLOSED	CLOSED	CLOSED	OPEN	OPEN	THESE VALVES SHALL REMAIN OPEN EXCEPT DURING TANK REPLACEMENT AND WHEN FLUSHING THE SYSTEM.		
TANK FILLING (BOTTOM)	CLOSED	OPEN	CLOSED	CLOSED	OPEN*	CLOSED			
TANK FILLING (TOP)	OPEN	CLOSED	CLOSED	CLOSED	OPEN*	OPEN*			
TANK RECIRCULATION	OPEN	CLOSED	OPEN	CLOSED	CLOSED	OPEN			
EMPTYING TANKS	OPEN	CLOSED	CLOSED	OPEN	CLOSED	OPEN			
SUMP DISCHARGE	OPEN*	CLOSED*	CLOSED*	CLOSED	OPEN*	OPEN*			

* Normal Anti-Icing Position is shown (Preferred Position). Valve may be opened or closed for this operation.

INITIALS	DESIGN	DATE	DETAIL	DATE	QUANTITY	DATE
By						
Checked By						

All seals for this set of drawings are applied to the cover page(s)	Print Date: \$DATE\$	Sheet Revisions			Colorado Department of Transportation 2829 West Howard Place, 3rd Floor Denver, CO 80204 Phone: 303-512-4079 FAX: 303-757-9197 Staff Bridge Branch	As Constructed		ANTI-ICING SYSTEM SYSTEM SCHEMATIC			Project No./Code	
	File Name: Sheet_B-614-2.dgn	Date:	Comments	Init.		No Revisions:				Project Number		
	Horiz. Scale: Not to Scale Vert. Scale: As Noted					Revised:	Designer: XXXXXXXX	Structure Numbers	X-XX-XX	Code		
	Unit Information Unit Leader Initials					Void:	Detailer: XXXXXXXX	Subset Sheets: BXX of XXX	X-XX-XX	Sheet Number		