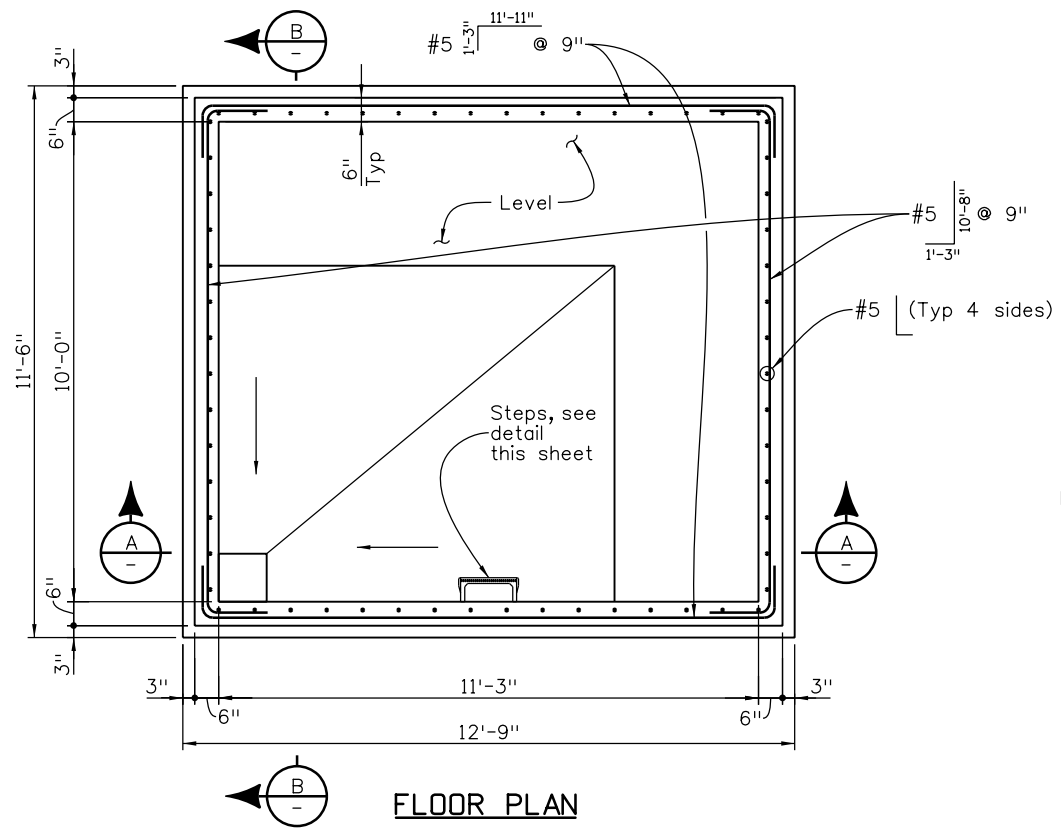
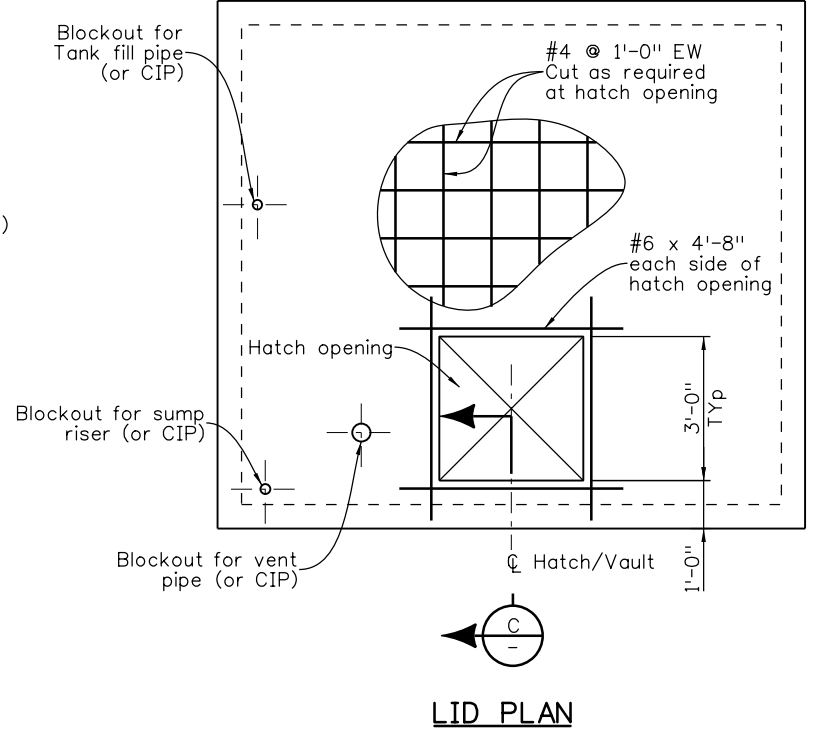


Revision Dates	(Preliminary Stage Only)
2/06	3/07
10/13	3/23

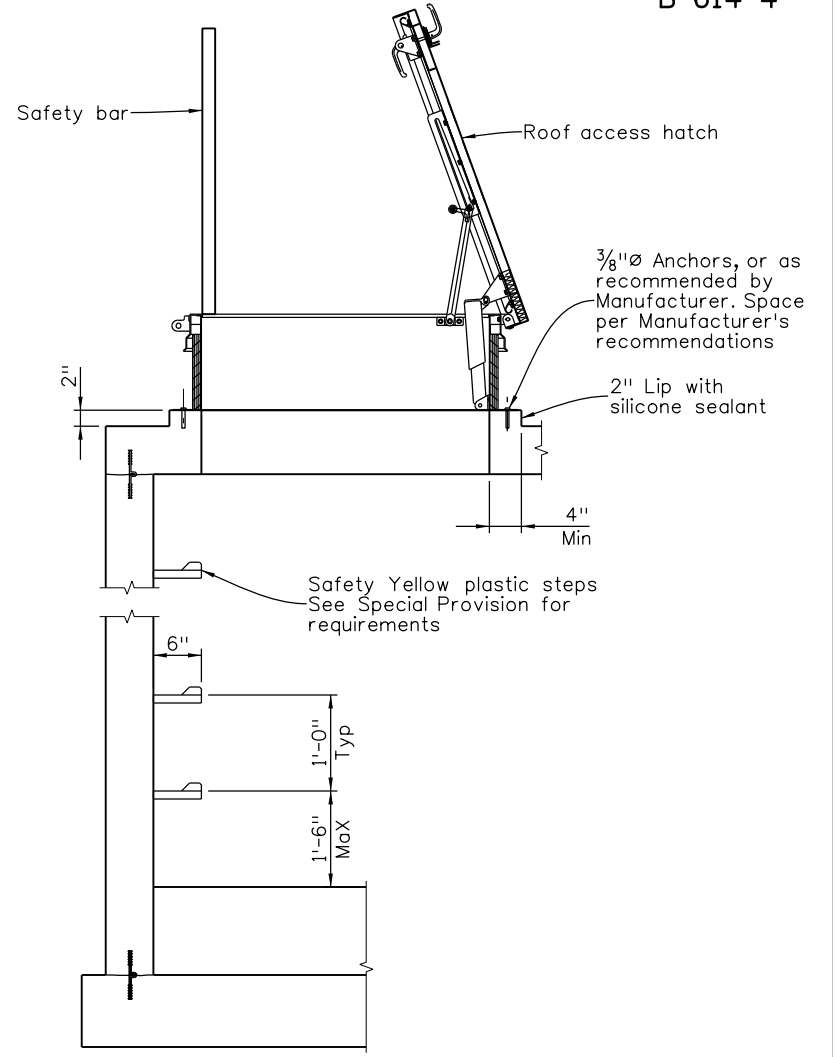
INITIALS	DESIGN	DATE	DETAIL	DATE	QUANTITY	DATE
By						
Checked By						



FLOOR PLAN



LID PLAN

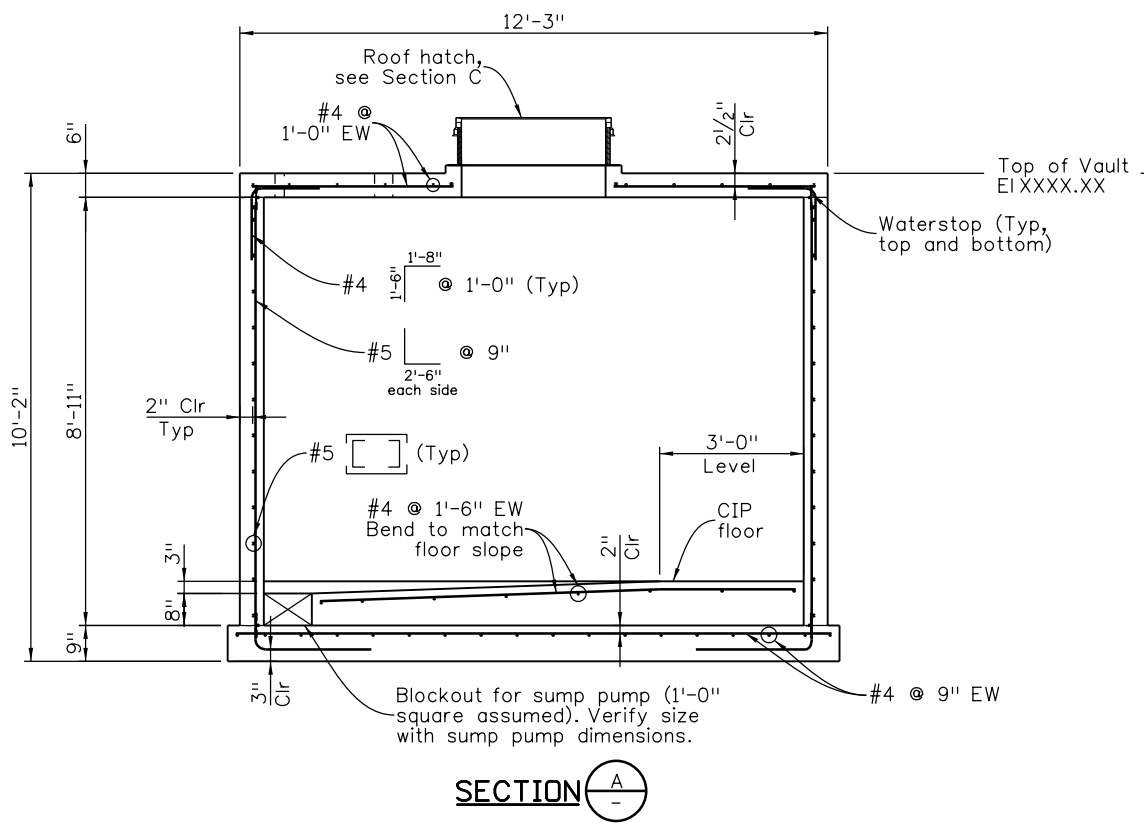


TYPICAL HATCH AND STEP DETAIL

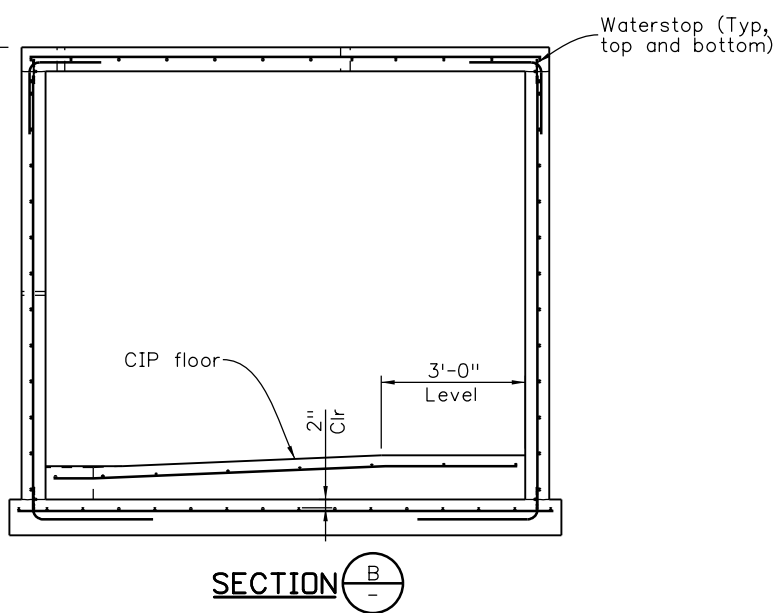
SECTION C

NOTES:

1. A Precast Vault is allowed as approved by the Engineer. Independent design calculations stamped by a Professional Engineer licensed in the State of Colorado shall be submitted. Shop drawings shall be submitted in accordance with Section 105 of the Standard Specifications.
2. Precast Joints shall not be located below the water table.
3. The diameter for concrete coring or blockouts for all conduits through walls shall be pipe OD plus 1/2 inch. Any gaps or spaces shall be injected and sealed with a silicone sealant from both the interior and exterior of the wall prior to backfilling operations.



SECTION A



SECTION B

All seals for this set of drawings are applied to the cover page(s)	Print Date: \$DATE\$	Sheet Revisions			Colorado Department of Transportation	As Constructed	ANTI-ICING SYSTEM VAULT STRUCTURAL DETAILS			Project No./Code
	File Name: Sheet_B-614-4.dgn	Date:	Comments	Init.			No Revisions:	Designer: XXXXXXXX	Structure Numbers: X-XX-XX	Project Number
	Horiz. Scale: Not to Scale Vert. Scale: As Noted				2829 West Howard Place, 3rd Floor Denver, CO 80204 Phone: 303-512-4079 FAX: 303-757-9197	Revised:	Detailer: XXXXXXXX	X-XX-XX	Code	
	Unit Information Unit Leader Initials					Void:	Sheet Subset: BRIDGE	Subset Sheets: BXX of XXX	Sheet Number	

Staff Bridge Branch Initials