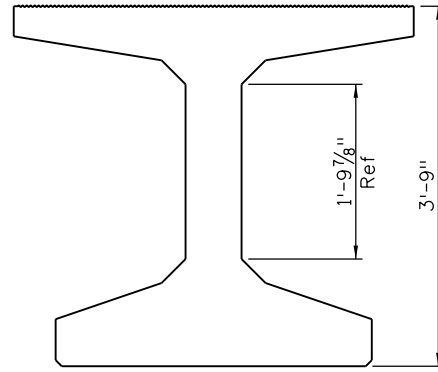
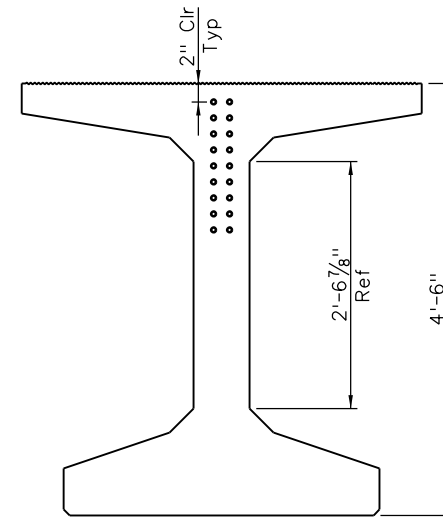


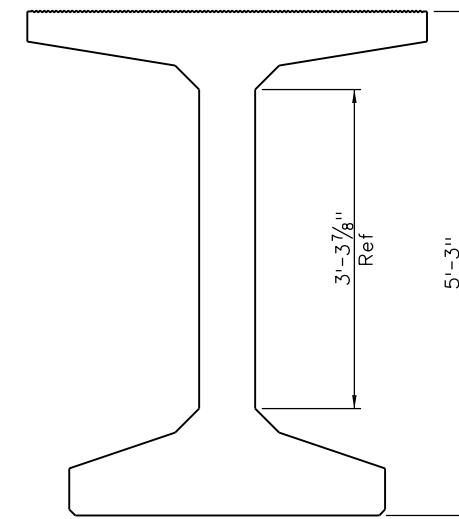
**CBT 37.5 DETAIL**



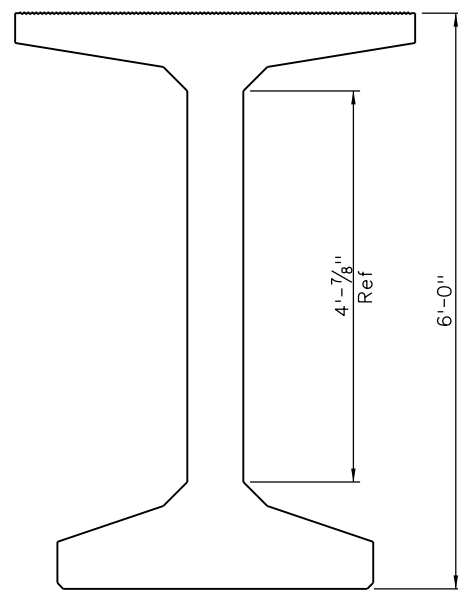
**CBT 45 DETAIL**



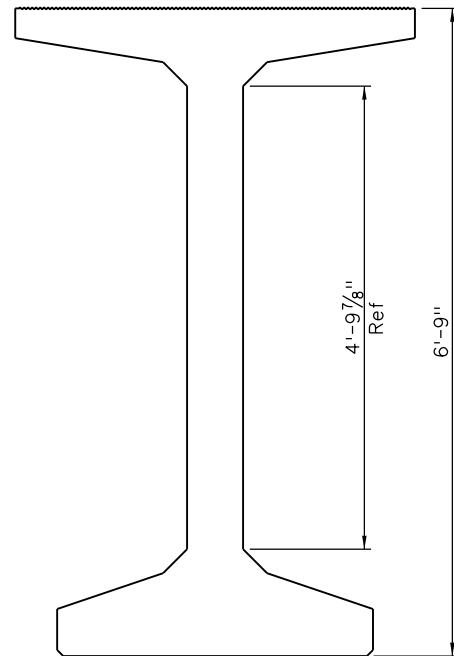
**CBT 54 DETAIL**



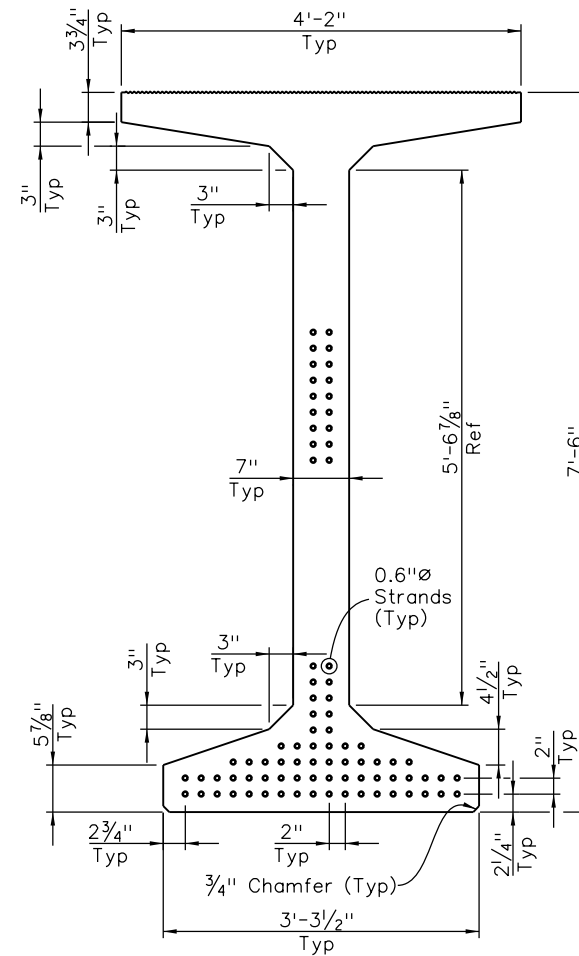
**CBT 63 DETAIL**



**CBT 72 DETAIL**



**CBT 81 DETAIL**



**CBT 90 DETAIL**

**COLORADO BULB TEE GIRDERS, CBTXX**

Girder Type	Depth (In)	Weight (Lb/Ft) ✦	Area (In <sup>2</sup> )	I <sub>x</sub> CG (In <sup>4</sup> )	I <sub>y</sub> CG (In <sup>4</sup> )	Y <sub>b</sub> (In)
CBT37.5	37.5	847	792	151,579	88,998	18.50
CBT45	45	903	845	240,424	89,212	22.08
CBT54	54	971	908	378,473	89,469	26.40
CBT63	63	1038	971	553,233	89,727	30.74
CBT72	72	1106	1034	767,268	89,984	35.10
CBT81	81	1173	1097	1,023,130	90,241	39.48
CBT90	90	1240	1160	1,323,390	90,498	43.87

Girder dimensions are similar except as shown

✦ Based on 154 Lb/CF

**Designer & Detailer:**

Maximum harp height is generally 60"-66" dependent on precast bed configuration.

Straight debonded strand designs are preferred over harped strand designs (girders less than 100 feet should only use straight strands).

Revision Dates	DATE	DESCRIPTION	
6/19	7/19	6/20	3/23

INITIALS	DESIGN	DATE	DETAIL	DATE	QUANTITY	DATE
By						
Checked By						

All seals for this set of drawings are applied to the cover page(s)	Print Date: \$DATE\$	<b>Sheet Revisions</b>			Colorado Department of Transportation			<b>As Constructed</b>		<b>PRESTRESSED CONCRETE CBT</b>			<b>Project No./Code</b>	
	File Name: Sheet_B-618-CBT2.dgn	Date:	Comments	Init.	2829 West Howard Place, 3rd Floor Denver, CO 80204 Phone: 303-512-4079 FAX: 303-757-9197			No Revisions:		Project Number				
	Horiz. Scale: Not to Scale Vert. Scale: As Noted							Revised:		Designer: XXXXXXXX	Structure Numbers	X-XX-XX	Code	
	Unit Information Unit Leader Initials							Void:		Detailer: XXXXXXXX	Subset Sheets: BXX of XXX	Sheet Number		

**Staff Bridge Branch** Initials

**As Constructed**

No Revisions:

Revised:

Void:

Project No./Code

Project Number

Code

Sheet Number