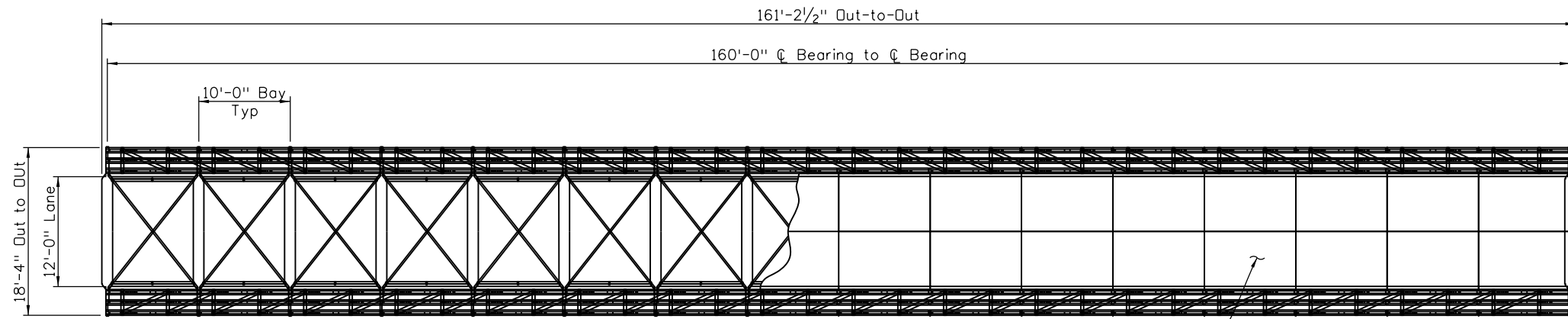


Revision Dates	(Preliminary Stage Only)
11/23	

INITIALS	DESIGN	DATE	DETAIL	DATE	QUANTITY	DATE
By						
Checked By						



Note to Designer- Dimensions shown depict the available CDDT (ACROW01) temporary bridge. Shorter spans can be obtained by removing up to 10 AB701 panels. Larger spans would require additional purchases.

PLAN

NOTES

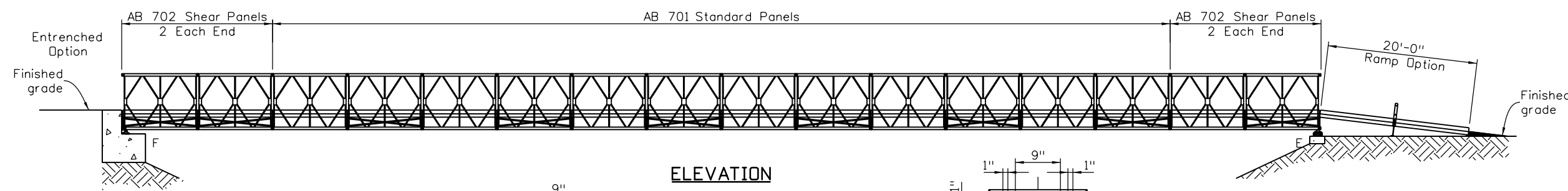
B-621-1

1. Inspect the PTFE (Teflon) layer and stainless steelplate prior to installation of expansion bearings. Do not use bearings that have a severely damaged or unbonded PTFE layer. Clean PTFE of all grit and grime prior to installation. Clean Stainless steelplate of all grit and grime prior to installation and finish to a smooth buffed surface.
2. Contractor to coordinate with Storage Facility and Acrow to obtain required parts list.

STORAGE FACILITY:
 CDDT Maintenance Yard
 20125 Wigwam Road
 Pueblo, CO. 81008
 970-626-4377

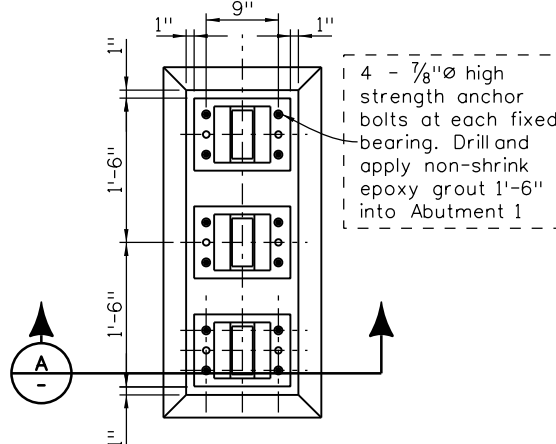
DESIGN DATA

Livload: HL-93
 Structural Steel: AASHTO M270 Grade 36

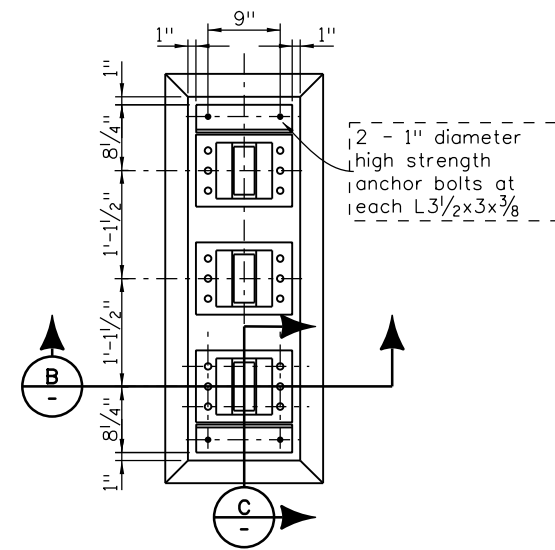


ELEVATION

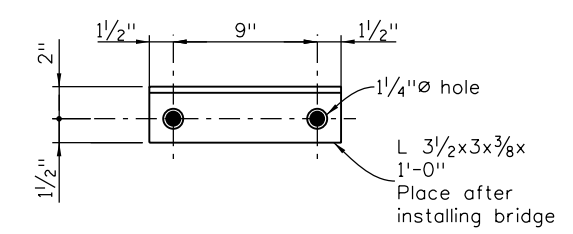
Designer will need to design bearing foundation and backwalls based on bridge loads as well as anchor bolts



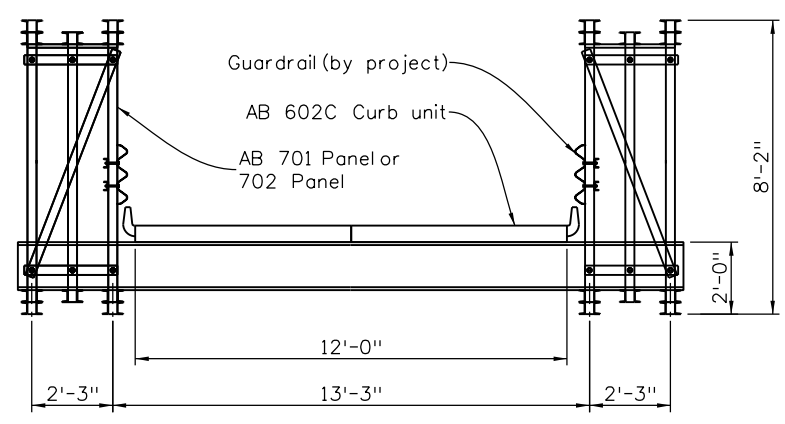
FIXED BEARING-PLAN (EACH TRUSS)



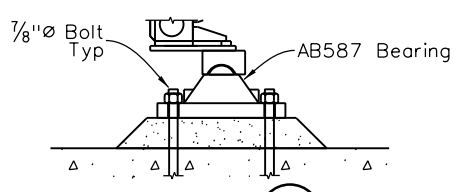
EXPANSION BEARING-PLAN (EACH TRUSS)



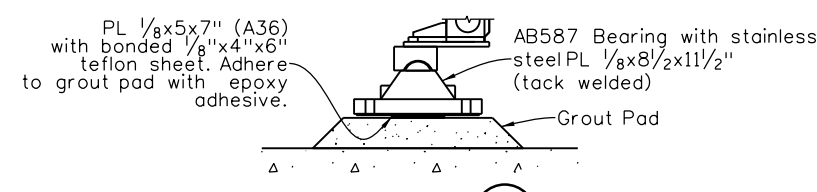
ANGLE DETAIL (2 PLACES)



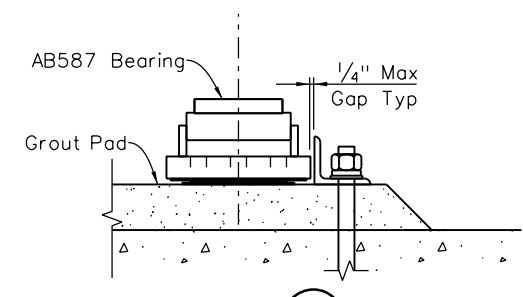
TYPICAL SECTION



SECTION A



SECTION B



SECTION C

Print Date: \$DATE\$	Sheet Revisions			Colorado Department of Transportation		As Constructed		ACROW TEMPORARY BRIDGE		Project No./Code			
File Name: Sheet_B-621-1.dgn	Date:	Comments	Init.	2829 West Howard Place 3rd Floor Denver, CO 80204 Phone: 303-757-9309 FAX: 303-757-9197		No Revisions:		Designer: XXXXXXXX Detailer: XXXXXXXX Sheet Subset: BRIDGE		Project Number			
Horiz. Scale: NTS						Revised:				Structure Numbers		Code	
Staff Bridge Branch - Unit 022X						Void:				Subset Sheets: BXX of XX		Sheet Number	
				Staff Bridge Branch		Initials							

\$PLOT_INFO\$