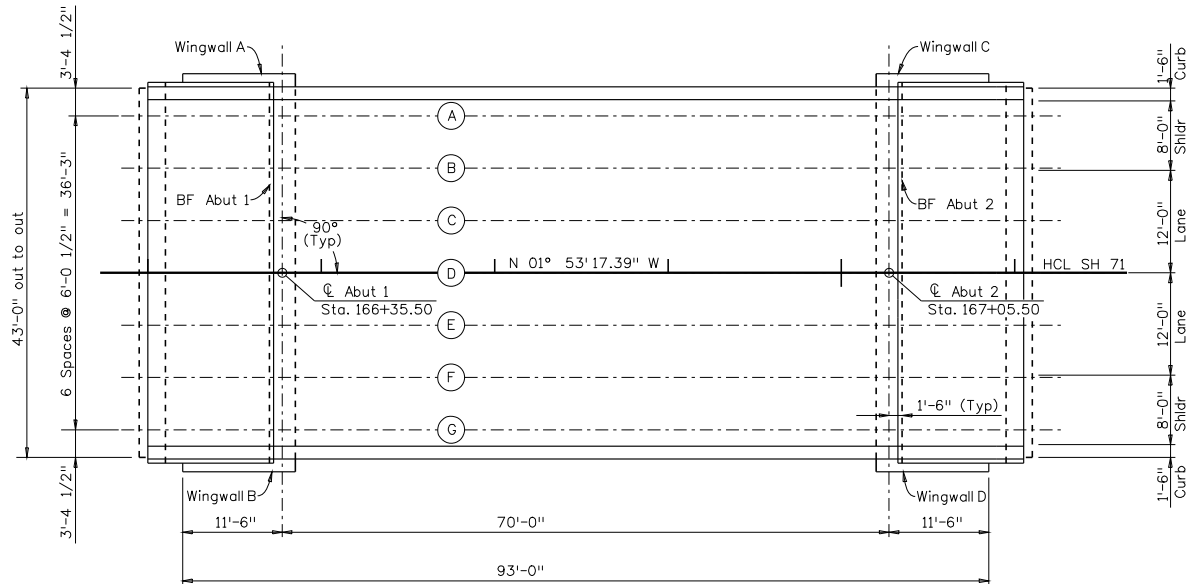
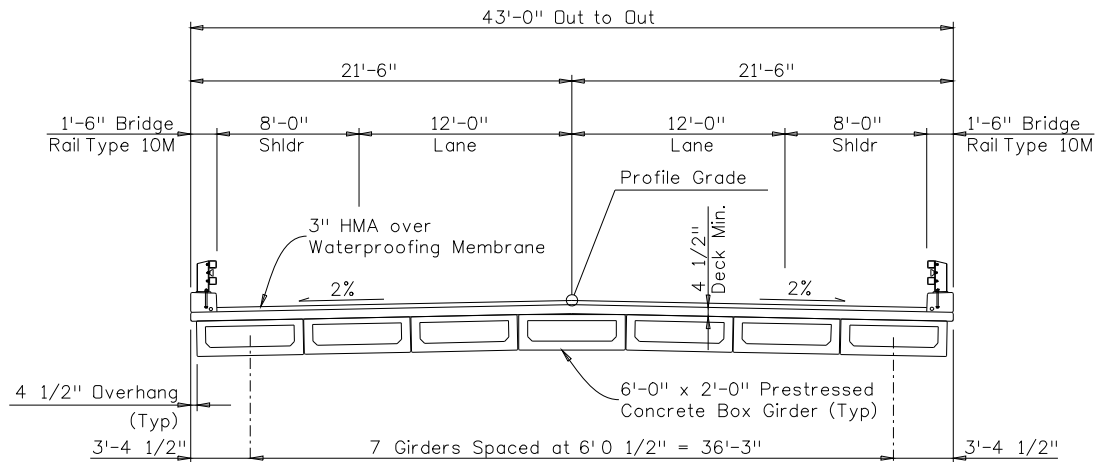


## Appendix C – Examples

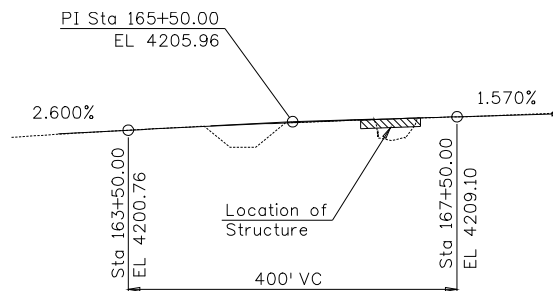
### Example 1 - Simple span bridge on a straight horizontal alignment



**PLAN VIEW**



**TYPICAL SECTION**



**PROFILE GRADE**

1. Description Tab Input (Example 1)

File View Options Help

Description | Horizontal | Vertical | Cross Slope and Transition | Reference Line | Girder Line | Bent Lin

**Structure ID:** 
**Units:**  Metric  English

**Project Number:** 
**Designer:**

**Subaccount:** 
**Detailer:**

**Location:**

**General Description:**

2. Horizontal Tab Input (Example 1)

File View Options Help

Description | Horizontal | Vertical | Cross Slope and Transition | Reference Line | Girder Line |

**Horizontal Curve Data**

Direction:  Left  Right

Combined Delta: 
 PI Station:

Degree: 
 Radius:

In Spiral Length: 
 Out Spiral Length:

**Profile Offset:**   
 (negative values for left)

**Station Equation**

Back: 
 Ahead:

3. Vertical Tab Input (Example 1)

The screenshot shows a software window with a menu bar (File, View, Options, Help) and a toolbar with icons for file operations. Below the toolbar is a tabbed interface with tabs for Description, Horizontal, Vertical, Cross Slope and Transition, Reference Line, and Girder Lin. The 'Vertical' tab is selected, displaying two columns of input fields for 'Vertical Curve #1' and 'Vertical Curve #2'.


Vertical Curve #1		Vertical Curve #2	
% Grade In:	2.6	In Length:	0
In Length:	200	Out Length:	0
Out Length:	200	PI Station:	
PI Station:	165+50.00	PI Elevation:	0
PI Elevation:	4205.96	% Grade Out:	1.57

4. Cross Slope and Transition Tab Input (Example 1)

File View Options Help

Description | Horizontal | Vertical | Cross Slope and Transition | Reference Line | Girder Lin

**Crown Type:** B C



**Nominal Cross-Slope:**

**Super Rate (e):**

**Pivot Offset from Profile Line (-Left):**

**Transition In**

Run-Out:

Transition Length:

Percent of Transition:

**Transition Out**

Run-Out:

Transition Length:

Percent of Transition:

Transition Vertical curve Maximum Length:

**Parabolic Crown**

Width:  Left Slope:

Height:  Right Slope:

**Optional Superelevation Override**

Station	Left Slope	Right Slope

Add New Override

Delete Override

Insert Override

5. Reference Line Tab Input (Example 1)

File View Options Help

Description Horizontal Vertical Cross Slope and Transition Reference Line Girder Line Bent Line Dead Load Roadway Approach

Reference Station: 166+35.5000 Station is on: Horizontal Control  
Back Tangent

**Skew**  
 Left  Right Angle: 0° 0' 0.00"  
 With Respect to: Horizontal Cor Layout Line Default Skew Angle for Bent Lines:  Parallel to Ref. Line  Same Skew as Ref. Line

Layout Line Is: Back Tangent Chord Reverse Layout Line: Incr/Not Decr/Reversed

**Transform Constant for Layout Coordinates**  
 X: 0 Y: 0

**Limits of Valid Elevation and Cross-Slope Data**  
 Begin Station: End Station:

**Options**  
 Segmented Girder Lines to Be Broken at Reference Line  
 Offset Option for Segmented Girder Pattern Shift  
 Suppress Listing  
 Request X=0 Points

6. Girder Line Tab Input (Example 1)

File View Options Help

Description Horizontal Vertical Cross Slope and Transition Reference Line Girder Line Bent Line Dead Load Roadway Approach

Line Type	Offset Distance		Elevation Shift	Description	X-Type		Options
	Initial	Terminal			Frac. Points	DL Char.	
Parallel to Hor	-23.0	Norm. from F	Offset Type	-3	OutsideWVAB		Girder lines Parallel
Parallel to Hor	-21.5	Norm. from F	Offset Type	-3	Left Edge Deck		Girder lines Parallel
Parallel to Hor	-20	Norm. from F	Offset Type	-3	Left Flowline		Girder lines Parallel
Parallel to Hor	-18.125	Norm. from F	Offset Type	-3	Ext. Girder A	A	Girder lines Parallel
Parallel to Hor	-12.0833	Norm. from F	Offset Type	-3	Int. Girder B	B	Girder lines Parallel
Parallel to Hor	-6.0417	Norm. from F	Offset Type	-3	Int. Girder C	B	Girder lines Parallel
Parallel to Hor	0	Norm. from F	Offset Type	-3	Int. Girder D	B	Girder lines Parallel
Parallel to Hor	6.0417	Norm. from F	Offset Type	-3	Int. Girder E	B	Girder lines Parallel
Parallel to Hor	12.0833	Norm. from F	Offset Type	-3	Int. Girder F	B	Girder lines Parallel
Parallel to Hor	18.125	Norm. from F	Offset Type	-3	Ext. Girder G	A	Girder lines Parallel
Parallel to Hor	20	Norm. from F	Offset Type	-3	Right Flowline		Girder lines Parallel
Parallel to Hor	21.5	Norm. from F	Offset Type	-3	Right Edge Dec		Girder lines Parallel
Parallel to Hor	23	Norm. from F	Offset Type	-3	OutsideWVCD		Girder lines Parallel

7. Bent Line Tab Input (Example 1)

File View Options Help

Description | Horizontal | Vertical | Cross Slope and Transition | Reference Line | Girder Line | Bent Line | Dead Load | Roadway Approach

Distance		Skew	Fractional Points	Description	Sel. Intersect	DL	Sec. Ref.	Options
-15.5	Normal Offset	L 0° 0' 0.00"	Default	0	EndApprAb1		C	Break Girder Lir
-1.5	Normal Offset	L 0° 0' 0.00"	Default	0	BF Abut. 1		C	Break Girder Lir
0	Horiz. Control	L 0° 0' 0.00"	Default	10	CL Brg. 1	X	C	Break Girder Lir
70	Layout Line	L 0° 0' 0.00"	Default	1	CL Brg. 2		D	Break Girder Lir
1.5	Normal Offset	L 0° 0' 0.00"	Default	0	BF Abut. 2		D	Break Girder Lir
15.5	Normal Offset	L 0° 0' 0.00"	Default	0	EndApprAb2		D	Break Girder Lir
	Distance Type	L	Skew Type					Break Girder Lir

8. Dead Load Tab Input (Example 1)

File View Options Help

Description | Horizontal | Vertical | Cross Slope and Transition | Reference Line | Girder Line | Bent Line | Dead Load | Roadway Approach

Girder Code	Bent Line Code	Units	Deflections at Tenth Points										
			0	1	2	3	4	5	6	7	8	9	10
A	X		0	0.229	0.435	0.594	0.691	0.726	0.691	0.594	0.435	0.229	0
B	X		0	0.223	0.427	0.583	0.679	0.715	0.679	0.583	0.427	0.223	0

9. Roadway Approach Tab Input (Example 1)

File View Options Help

Description | Horizontal | Vertical | Cross Slope and Transition | Reference Line | Girder Line | Bent Line | Dead Load | Roadway Approach

Begin Structure	End Structure	Approach Length	Offsets from Horizontal Control						
166+34.5	167+06.5	0	-21.5	-20	-12	0	12	20	21.5

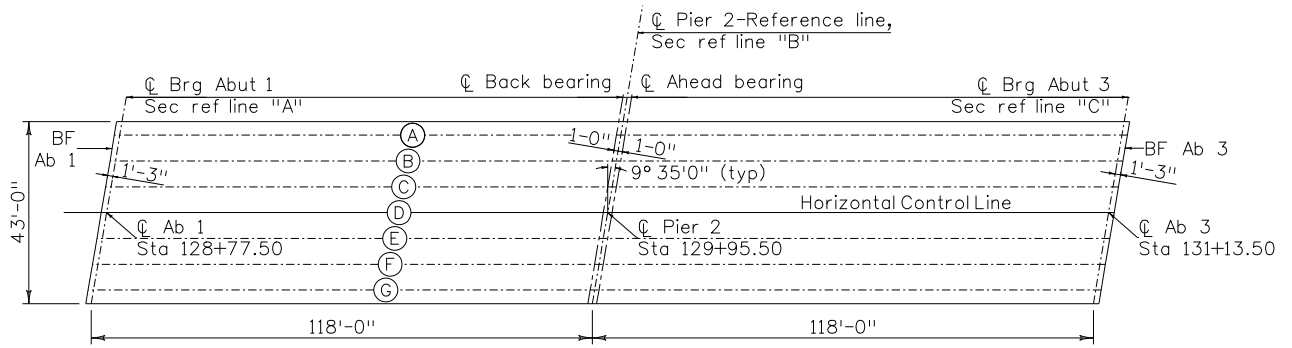
Input file (EX1.dat)

```

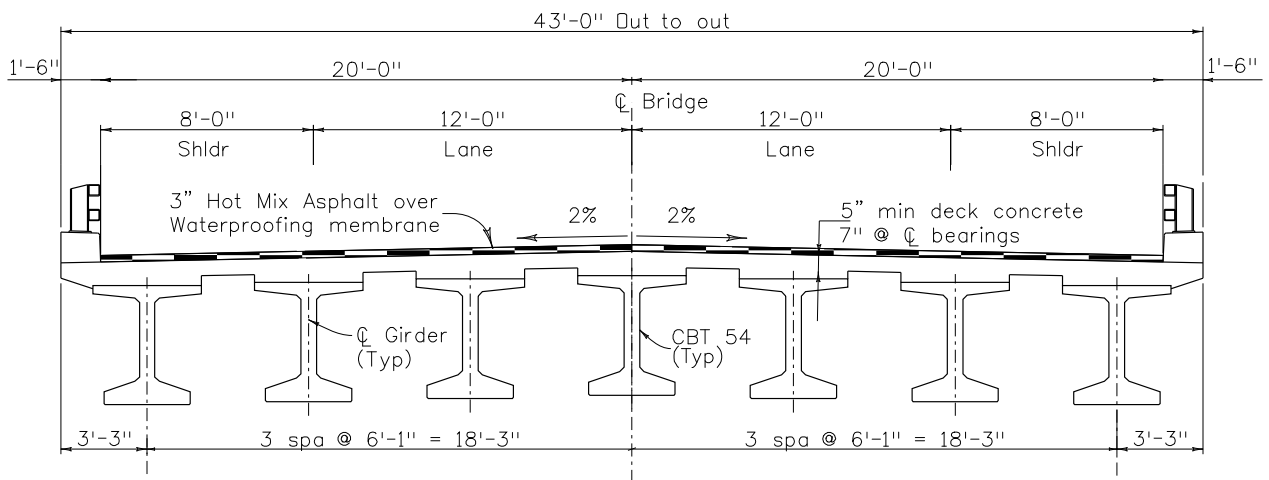
00Example 1
00 Units: feet;
00 Project: ABCD; Subaccount: 12345;
00 Designer: XX; Detailer: YY;
00 Location: HWY over River;
00Simple span (70'-0") with 7 PS Box girders @ 6'-0.5", 40'-0" roadway width (curb to curb), no skew. Rail type 10M.

01L 0 0 000          0 0 000          00000  0.00
02 2600000 20000 1655000 42059600 20000 000          00000 000 1570000
03C00200          00000          750          00000 000000000000000
04 1663550000L 0 0 000201 0          00000 00000
050 -2300004 00000 -30000OutsideWWAB
050 -2150004 00000 -30000Left Edge Deck
050 -2000004 00000 -30000Left Flowline
050 -1812504 00000 -30000Ext. Girder A          A
050 -1208334 00000 -30000Int. Girder B          B
050 -604174 00000 -30000Int. Girder C          B
050 000004 00000 -30000Int. Girder D          B
050 604174 00000 -30000Int. Girder E          B
050 1208334 00000 -30000Int. Girder F          B
050 1812504 00000 -30000Ext. Girder G          A
050 2000004 00000 -30000Right Flowline
050 2150004 00000 -30000Right Edge Deck
050 2300004 00000 -30000OutsideWWCD
06 -1550006L 0 0 0000 0 EndApprAb1          C
06 -150006L 0 0 0000 0 BF Abut. 1          C
06 000000L 0 0 0000 10 CL Brg. 1          XC
06 7000001L 0 0 0000 1 CL Brg. 2          D
06 150006L 0 0 0000 0 BF Abut. 2          D
06 1550006L 0 0 0000 0 EndApprAb2          D
07AX          0229 0435 0594 0691 0726 0691 0594 0435 0229
07BX          0223 0427 0583 0679 0715 0679 0583 0427 0223
08 16635 16707 00 -215000 -200000 -120000 00000 120000 200000 215000
    
```

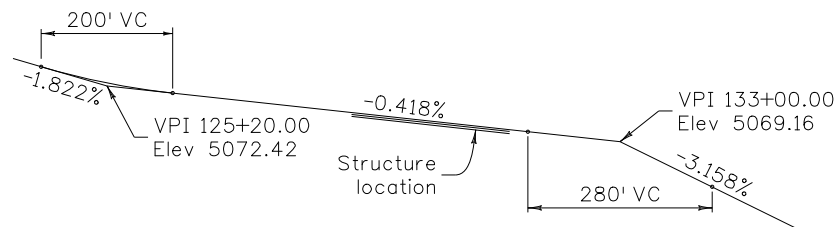
**Example 2 - 2-Span skewed bridge on a straight horizontal alignment**



**PLAN VIEW**



**TYPICAL SECTION**



**PROFILE GRADE**



1. Description Tab Input (Example 2)

File View Options Help

Description | Horizontal | Vertical | Cross Slope and Transition | Reference Line | Girder Line | Bent L

Structure ID:  Units:  Metric  English

Project Number:  Designer:

Subaccount:  Detailer:

Location:

**General Description:**

2-Span (118'-0", 118'-0") with 7 CBT54 girders @ 6'-1", 40'-0" roadway width curb to curb, skew 9° 35' and Rail type 10  
 Medium Complexity Example

2. Horizontal Tab Input (Example 2)

File View Options Help

Description | Horizontal | Vertical | Cross Slope and Transition | Reference Line | Girder Line | Bent L

**Horizontal Curve Data**

Direction:  Left  Right

Combined Delta:  PI Station:

Degree:  Radius:

In Spiral Length:  Out Spiral Length:

**Profile Offset:**   
 (negative values for left)

**Station Equation**

Back:  Ahead:

3. Vertical Tab Input (Example 2)

File View Options Help

Description | Horizontal | **Vertical** | Cross Slope and Transition | Reference Line | Girder Li


Vertical Curve #1		Vertical Curve #2	
% Grade In:	-1.822	In Length:	140
In Length:	100	Out Length:	140
Out Length:	100	PI Station:	133+00.00
PI Station:	125+20.00	PI Elevation:	5069.16
PI Elevation:	5072.42	% Grade Out:	-3.158

4. Cross Slope and Transition Tab Input (Example 2)

File View Options Help

Description | Horizontal | Vertical | Cross Slope and Transition | Reference Line | Girder Line | B

**Crown Type:**



**Nominal Cross-Slope:**

**Super Rate (e):**

**Pivot Offset from Profile Line (-Left):**

**Transition In**

Run-Out:

Transition Length:

Percent of Transition:

**Transition Out**

Run-Out:

Transition Length:

Percent of Transition:

Transition Vertical curve Maximum Length:

**Parabolic Crown**

Width:  Left Slope:

Height:  Right Slope:

**Optional Superelevation Override**

Station	Left Slope	Right Slope

5. Reference Line Tab Input (Example 2)

File View Options Help

Description | Horizontal | Vertical | Cross Slope and Transition | Reference Line | Girder Line | Bent Line | Dead Load | Roadway Approach

Reference Station: 129+95.5000 Station is on: Horizontal Control  
Back Tangent

**Skew**  
 Left  Right Angle: 9° 35' 0.00"  
 With Respect to: Horizontal Control Layout Line Default Skew Angle for Bent Lines:  Parallel to Ref. Line  Same Skew as Ref. Line

Layout Line Is: Back Tangent Chord Reverse Layout Line: Incr/Not Decr/Reversed

**Transform Constant for Layout Coordinates**  
 X: 0 Y: 0

**Limits of Valid Elevation and Cross-Slope Data**  
 Begin Station: End Station:

**Options**  
 Segmented Girder Lines to Be Broken at Reference Line  
 Offset Option for Segmented Girder Pattern Shift  
 Suppress Listing  
 Request X:0 Points

6. Girder Line Tab Input (Example 2)

File View Options Help

Description | Horizontal | Vertical | Cross Slope and Transition | Reference Line | Girder Line | Bent Line | Dead Load | Roadway Approach

Line Type	Offset Distance		Elevation Shift	Description	X-Type	Frac. DL Points Char.	Options
	Initial	Terminal					
Parallel to Hor	-21.5	Norm. from L	0	Offset Type	-3		Girder lines Parallel
Parallel to Hor	-18.25	Norm. from F	0	Offset Type	-3	M	Girder lines Parallel
Parallel to Hor	-12.1667	Norm. from F	0	Offset Type	-3	N	Girder lines Parallel
Parallel to Hor	-6.083	Norm. from F	0	Offset Type	-3	N	Girder lines Parallel
Parallel to Hor	0	Norm. from F	0	Offset Type	-3		Girder lines Parallel
Parallel to Hor	0	Norm. from F	0	Offset Type	-3	N	Girder lines Parallel
Parallel to Hor	6.0833	Norm. from F	0	Offset Type	-3	N	Girder lines Parallel
Parallel to Hor	12.1667	Norm. from F	0	Offset Type	-3	N	Girder lines Parallel
Parallel to Hor	18.25	Norm. from F	0	Offset Type	-3	M	Girder lines Parallel
Parallel to Hor	21.5	Norm. from F	0	Offset Type	-3		Girder lines Parallel

7. Bent Line Tab Input (Example 2)

File View Options Help

Description | Horizontal | Vertical | Cross Slope and Transition | Reference Line | Girder Line | **Bent Line** | Dead Load | Roadway Approach

Distance		Skew	Fractional Points	Description	Sel. Intersect	DL	Sec. Ref.	Options
-1.25	Normal Offset	L 0° 0' 0.00"	Default	0	BF ABUT 1		A	Break Girder Lir
-118	Horiz. Control	L 0° 0' 0.00"	Default	10	CL BRG A1	X	A	Break Girder Lir
-1	Normal Offset	L 0° 0' 0.00"	Default	1	CL BRG P2B		B	Break Girder Lir
0	Horiz. Control	L 0° 0' 0.00"	Default	0	CL PIER 2		B	Break Girder Lir
1	Normal Offset	L 0° 0' 0.00"	Default	10	CL BRG P2A	X	B	Break Girder Lir
118	Horiz. Control	L 0° 0' 0.00"	Default	1	CL BRG A3		C	Break Girder Lir
1.25	Normal Offset	L 0° 0' 0.00"	Default	0	BF ABUT 3		C	Break Girder Lir

8. Dead Load Tab Input (Example 2)

File View Options Help

Description | Horizontal | Vertical | Cross Slope and Transition | Reference Line | Girder Line | Bent Line | **Dead Load** | Roadway Approach

Girder Code	Bent Line Code	Units	Deflections at Tenth Points										
			0	1	2	3	4	5	6	7	8	9	10
M	X		0	1.08	1.92	2.52	2.88	3	2.88	2.52	1.92	1.02	0
N	X		0	1.19	2.11	2.77	3.17	3.3	3.17	2.77	2.11	1.19	0

9. Roadway Approach Tab Input (Example 2)

File View Options Help

Description | Horizontal | Vertical | Cross Slope and Transition | Reference Line | Girder Line | Bent Line | Dead Load | **Roadway Approach**

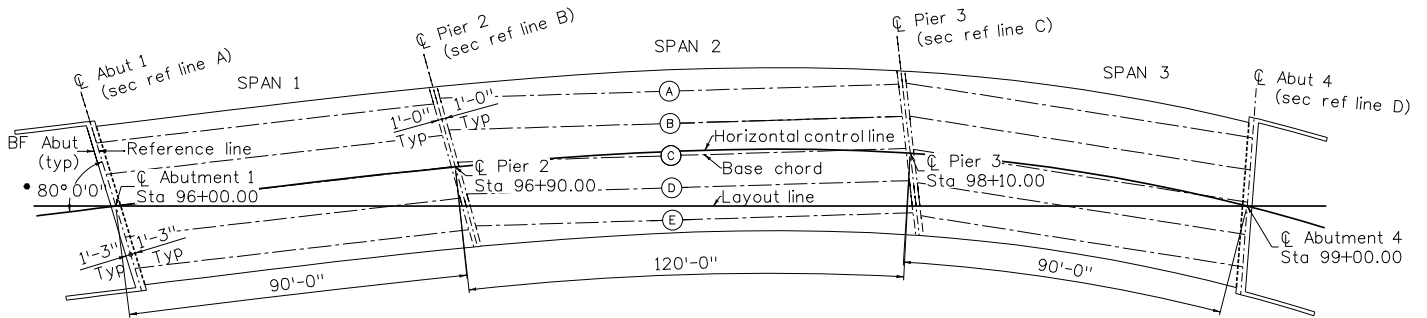
Begin Structure	End Structure	Approach Length	Offsets from Horizontal Control						
129+10.0	130+00.0	0	-20	-12	0	12	20	0	0

Input file (EX2.dat)

```

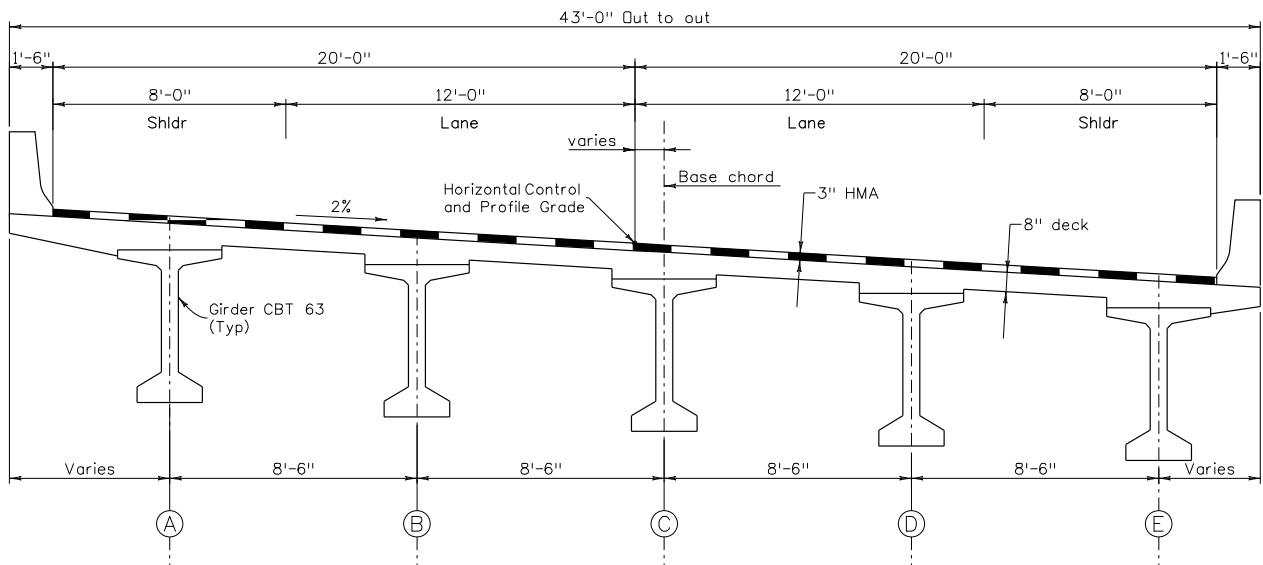
00Example 2
00 Units: feet;
00 Project: ABCD; Subaccount: 12345;
00 Designer: YY; Detailer: XX;
00 Location: HWY over River;
002-Span (118'-0", 118'-0") with 7 CBT54 girders @ 6'-1", 40'-0" roadway width curb to curb, skew 9° 35' and Rail type 10
00
00Medium Complexity Example
01R 0 0 000 0 0 000 00000 0.00
02 -1822000 10000 1252000 50724200 10000 14000 1330000 50691600 14000 -3158000
03C00200 00000 750 00000 000000000000000
04 1299550000R 935 000101 0 00000 00000
050 -2150002 00000 -30000LEFT OUTSIDE
050 -1825004 00000 -30000CL GIRDER A M
050 -1216674 00000 -30000CL GIRDER B N
050 -608304 00000 -30000CL GIRDER C N
050 000004 00000 -30000CL BRIDGE--HCL
050 000004 00000 -30000CL GIRDER D N
050 608334 00000 -30000CL GIRDER E N
050 1216674 00000 -30000CL GIRDER F N
050 1825004 00000 -30000CL GIRDER G M
050 2150004 00000 -30000RIGHT OUTSIDE
06 -125006L 0 0 0000 0 BF ABUT 1 A
06-11800000L 0 0 0000 10 CL BRG A1 XA
06 -100006L 0 0 0000 1 CL BRG P2B B
06 000000L 0 0 0000 0 CL PIER 2 B
06 100006L 0 0 0000 10 CL BRG P2A X B
06 11800000L 0 0 0000 1 CL BRG A3 C
06 125006L 0 0 0000 0 BF ABUT 3 C
07MX 0000 1080 1920 2520 2880 3000 2880 2520 1920 1020 0000
07NX 0000 1190 2110 2770 3170 3300 3170 2770 2110 1190 0000
08 12910 13000 00 -200000 -120000 00000 120000 200000 00000 00000
    
```

**Example 3 - 3-Span skewed segmental bridge on a spiral horizontal alignment with superelevation**

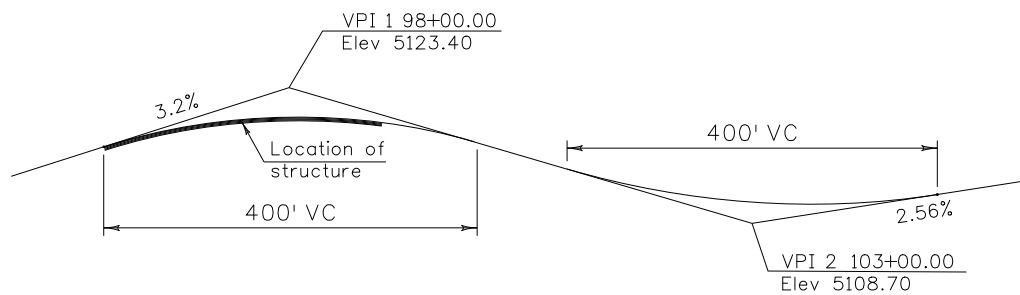


- Skew angle would be input into the \*.dat Reference Line Tab as "Left 10° 00' 00" Same Skew as Ref. Line".

**PLAN VIEW**



**TYPICAL SECTION**

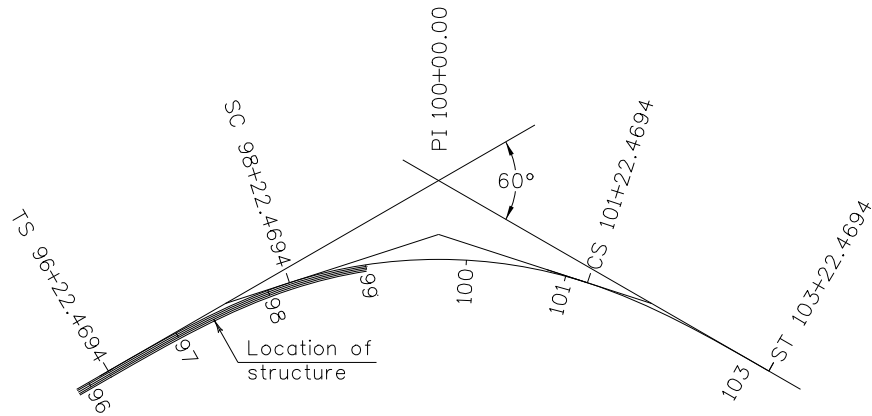


**VERTICAL PROFILE GRADE**

$\Delta = 60^\circ 00' 00''$   
 $D_c = 12^\circ 00' 00''$   
 $T_s = 377.5300$   
 $E_s = 199.1245$

$L_c = 300'$   
 $R_c = 477.4648'$   
 $T_c = 155.1378'$   
 $\Delta_c = 36^\circ 00' 00''$

$L_s = 200'$   
 $\theta_s = 12^\circ 00' 00''$   
 $L.T. = 199.1245$   
 $S.T. = 66.9464$   
 $e = 10\%$



**HORIZONTAL CURVE**

1. Description Tab Input (Example 3)

File View Options Help

Description Horizontal Vertical Cross Slope and Transition Reference Line Girder Line Bent Line

Structure ID:  Units:  Metric  English

Project Number:  Designer:

Subaccount:  Detailer:

Location:

**General Description:**



2. Horizontal Tab Input (Example 3)

File View Options Help

Description **Horizontal** Vertical Cross Slope and Transition Reference Line Girder Line

**Horizontal Curve Data**

Direction:  Left  Right

Combined Delta:  PI Station:

Degree:  Radius:

In Spiral Length:  Out Spiral Length:

**Profile Offset:**   
(negative values for left)

**Station Equation**

Back:  Ahead:

3. Vertical Tab Input (Example 3)

File View Options Help

Description Horizontal **Vertical** Cross Slope and Transition Reference Line Girder Line

**Vertical Curve #1**

% Grade In:  In Length:

Out Length:  PI Station:

PI Elevation:

**Vertical Curve #2**

In Length:  Out Length:

PI Station:  PI Elevation:


% Grade Out:

4. Cross Slope and Transition Tab Input (Example 3)

File View Options Help

Description | Horizontal | Vertical | **Cross Slope and Transition** | Reference Line | Girder Line

**Crown Type:** B ▲  
C ▼



**Nominal Cross-Slope:**   
**Super Rate (e):**   
**Pivot Offset from Profile Line (-Left):**

Transition In	Transition Out
Run-Out: <input type="text"/>	Run-Out: <input type="text"/>
Transition Length: <input type="text"/>	Transition Length: <input type="text"/>
Percent of Transition: <input type="text"/>	Percent of Transition: <input type="text"/>

Transition Vertical curve Maximum Length:

**Parabolic Crown**

Width: <input type="text" value="0"/>	Left Slope: <input type="text" value="0"/>
Height: <input type="text" value="0"/>	Right Slope: <input type="text" value="0"/>

**Optional Superelevation Override**

Station	Left Slope	Right Slope	
			<input type="button" value="Add New Override"/>  <input type="button" value="Delete Override"/>  <input type="button" value="Insert Override"/>

5. Reference Line Tab Input (Example 3)

File View Options Help

Description | Horizontal | Vertical | Cross Slope and Transition | Reference Line | Girder Line | Bent Line | Dead Load | Roadway Approach

Reference Station: 96+00.0000 Station is on: Horizontal Control / Back Tangent

**Skew**  
 Left  Right Angle: 10° 0' 0.00"  
 With Respect to: Horizontal Control / Layout Line Default Skew Angle for Bent Lines:  Parallel to Ref. Line  Same Skew as Ref. Line

Layout Line Is: Back Tangent / Chord Reverse Layout Line: Incr/Not / Decr/Reversed

**Transform Constant for Layout Coordinates**  
 X: 0 Y: 0

**Limits of Valid Elevation and Cross-Slope Data**  
 Begin Station: 0+00.0000 End Station:

**Options**  
 Segmented Girder Lines to Be Broken at Reference Line  
 Offset Option for Segmented Girder Pattern Shift  
 Suppress Listing  
 Request X-0 Points

6. Girder Line Tab Input (Example 3)

File View Options Help

Description | Horizontal | Vertical | Cross Slope and Transition | Reference Line | Girder Line | Bent Line | Dead Load | Roadway Approach

Line Type	Offset Distance		Elevation Shift	Description	X-Type		Options
	Initial	Terminal			Frac. Points	DL Char.	
Parallel to Hor	-21.5	0	-3	LEFT OUTSIDE	A	E	Girder lines Parallel
Segmented	-17	Normal from	-3	GIRDER A	A	E	Girder lines Parallel
Segmented	-8.5	Normal from	-3	GIRDER B		E	Girder lines Parallel
Segmented	0	Normal from	-3	GIRDER C		E	Girder lines Parallel
Parallel to Hor	0	Norm. from	-3	HCL			Girder lines Parallel
Flared Girder I	0	Bent from LC	-3	BACK TANGEN			Girder lines Parallel
Parallel to Lay	0	Norm. from L	-3	LAYOUT LINE			Girder lines Parallel
Segmented	8.5	Normal from	-3	GIRDER D		E	Girder lines Parallel
Segmented	17	Normal from	-3	GIRDER E	B	E	Girder lines Parallel
Parallel to Hor	21.5	Norm. from	-3	RIGHT OUTSIC	B	E	Girder lines Parallel
Line Type		Offset Type					Girder lines Parallel

7. Bent Line Tab Input (Example 3)

File View Options Help

Description	Horizontal	Vertical	Cross Slope and Transition	Reference Line	Girder Line	Bent Line	Dead Load	Roadway Approach		
Distance			Skew		Fractional Points	Description	Sel. Intersect	DL	Sec. Ref.	Options
-1.25	Normal Offset	L	0° 0' 0.00"	Default	1	BF ABUT 1			A	Break Girder Lin
0	Horiz. Control	L	0° 0' 0.00"	Default	10	CL BRG 1	X		A	Chord Layout L
-1	Normal Offset	L	0° 0' 0.00"	Default	1	CL BRG P2B			B	Break Girder Lin
90	Horiz. Control	L	0° 0' 0.00"	Default	0	CL PIER 2			B	Break Girder Lin
1	Normal Offset	L	0° 0' 0.00"	Default	10	CL BRG P2A		Y	B	Break Girder Lin
-1	Normal Offset	L	0° 0' 0.00"	Default	1	CL BRG P3B			C	Break Girder Lin
210	Horiz. Control	L	0° 0' 0.00"	Default	0	CL PIER 3			C	Break Girder Lin
1	Normal Offset	L	0° 0' 0.00"	Default	10	CL BRG P3A	X		C	Break Girder Lin
300	Horiz. Control	L	0° 0' 0.00"	Default	1	CL BRG A4			D	Chord Layout L
1.25	Normal Offset	L	0° 0' 0.00"	Default	0	BF ABUT 4			D	Break Girder Lin

8. Dead Load Tab Input (Example 3)

File View Options Help

Description	Horizontal	Vertical	Cross Slope and Transition	Reference Line	Girder Line	Bent Line	Dead Load	Roadway Approach					
Girder Code	Bent Line Code	Units	Deflections at Tenth Points										
			0	1	2	3	4	5	6	7	8	9	10
E	X		0	0.12	0.48	1.08	1.92	3.0	1.92	1.08	0.48	0.12	0
E	Y		0	0.16	0.64	1.44	2.56	4.0	2.56	1.44	0.64	0.16	0

9. Roadway Approach Tab Input (Example 3)

File View Options Help

Description	Horizontal	Vertical	Cross Slope and Transition	Reference Line	Girder Line	Bent Line	Dead Load	Roadway	
Begin Structure	End Structure	Approach Length	Offsets from Horizontal Control						
96+10.0	98+10.0	0	-20	-12	0	12	20	0	0

Input file (EX3.dat)

```

00Example 3
00 Units: feet;
00 Project: ABCD; Subaccount: 12345;
00 Designer: XX; Detailer: YY;
00 Location: HWY over HWY;
00 3-SPAN (90'-0", 120'-0", 90'-0") segmented bridge with 5 CBT63 girders @ 8'-6", 43'-0" roadway width out to out,
Rail Type 7, on spiral horizontal curve with roadway superelevation
00
00Complex example
00
01R 60 0 000 10000000012 0 000 20000 20000 00000 0.00
02 3200000 20000 980000 51234000 20000 20000 1030000 51087000 20000 2560000
03B002001000 00000 500 00000 000000000000000
04 960000000L10 0 000112 X0X 00000 00000 00000
050 -2150004 00000 -30000LEFT OUTSIDE AE
051 -1700005 00000 -30000GIRDER A A E
051 -850005 00000 -30000GIRDER B E
051 000005 00000 -30000GIRDER C E
050 000004 00000 -30000HCL X
053 000001 -3682541 -30000BACK TANGENT
052 000002 00000 -30000LAYOUT LINE
051 850005 00000 -30000GIRDER D E
051 1700005 00000 -30000GIRDER E B E
050 2150004 00000 -30000RIGHT OUTSIDE BE
06 -125006L 0 0 0000 1 BF ABUT 1 A
06 000000L 0 0 0000 10 CL BRG 1 XXX XA
06 -100006L 0 0 0000 1 CL BRG P2BX B
06 9000000L 0 0 0000 0 CL PIER 2 B
06 100006L 0 0 0000 10 CL BRG P2AX Y B
06 -100006L 0 0 0000 1 CL BRG P3BX C
06 2100000L 0 0 0000 0 CL PIER 3 C
06 100006L 0 0 0000 10 CL BRG P3AX X C
06 3000000L 0 0 0000 1 CL BRG A4 XXX D
06 125006L 0 0 0000 0 BF ABUT 4 D
07EX 0000 0120 0480 1080 1920 3000 1920 1080 0480 0120 0000
07EY 0000 0160 0640 1440 2560 4000 2560 1440 0640 0160 0000
08 9610 9810 00 -200000 -120000 00000 120000 200000 00000 00000

```