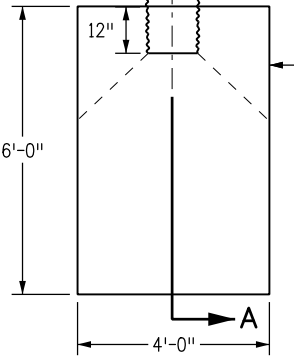


TYPE 3 PLAN VIEW
SHOWING DRAINAGE FLOW FROM LEFT TO RIGHT. REVERSE DETAIL WHEN DRAINAGE FLOW IS RIGHT TO LEFT.

| TYPE OF APRON MATERIAL | THICKNESS IN. |
|------------------------------|------------------|
| SLOPE AND DITCH PAVING (507) | |
| DRY RUBBLE | 6 |
| CONCRETE | 4 |
| HMA | 4 |
| GROUTED RUBBLE | 4 |
| RIPRAP (506) | 9 (MIN.) |



- GENERAL NOTES**
- IF THE EMBANKMENT PROTECTOR IS LOCATED IN THE BOTTOM OF A VERTICAL CURVE, FLARE THE CURB ON EACH SIDE OF THE INLET TO ALLOW FOR FLOW FROM BOTH DIRECTIONS.
 - DETAILS OF GUARD RAIL INSTALLATION ARE SHOWN IN STANDARD PLAN M-606-1.
 - THE END SECTION-TO-PIPE STUB JOINT FOR CORRUGATED METAL PIPE SHALL BE IN ACCORDANCE WITH THE TYPE 3 TYPICAL CONNECTION DETAILED IN STANDARD PLAN M-603-10. THE TYPE 1 OR TYPE 2 TYPICAL CONNECTIONS ARE NOT ACCEPTABLE. (AS AN OPTION, THE END SECTION MAY BE CONNECTED DIRECTLY TO A SECTION OF PIPE). JOINTS BETWEEN THE STUB AND PIPE, OR SECTIONS OF PIPE, SHALL BE IN ACCORDANCE WITH SECTION 603. CONNECTIONS FOR PLASTIC PIPE SHALL PROVIDE A FIRM DIRECT CONNECTION SIMILAR TO THE TYPE 3. PLASTIC END SECTIONS ARE NOT ALLOWED. ALL PLASTIC PIPE JOINTS SHALL BE AS RECOMMENDED BY THE PIPE MANUFACTURER AND APPROVED BY THE ENGINEER.
 - PLASTIC PIPE SHALL CONFORM TO AASHTO M 294 TYPE C.
 - DETAILS OF BITUMINOUS CURBING ARE SHOWN IN STANDARD PLAN M-609-1.
 - STRUCTURE BACKFILL MATERIAL SHALL NOT BE USED WITH THE EMBANKMENT PROTECTOR (TYPE 3). EMBANKMENT MATERIAL SHALL BE USED WITH CONSTRUCTION REQUIREMENTS IN ACCORDANCE WITH SECTION 203. PAYMENT FOR THIS EMBANKMENT MATERIAL SHALL BE INCLUDED IN THE PAY ITEM FOR EMBANKMENT PROTECTOR (TYPE 3).

PAYMENT FOR THE QUANTITIES SHOWN ON THE PLANS FOR THIS WORK SHALL BE AS FOLLOWS:

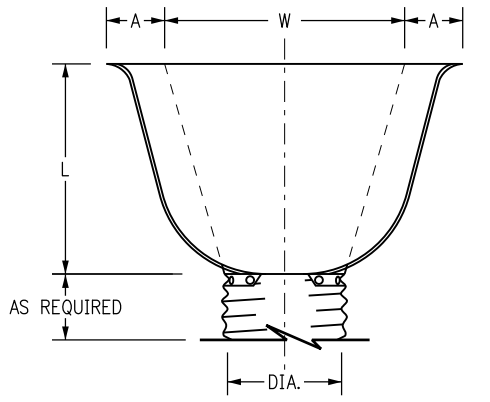
506 OR 507 - PAY ITEMS AS SPECIFIED ON THE PLANS.

609 - CURB, TYPE 4 OR TYPE 6 (SECTION M)LINEAR FT.

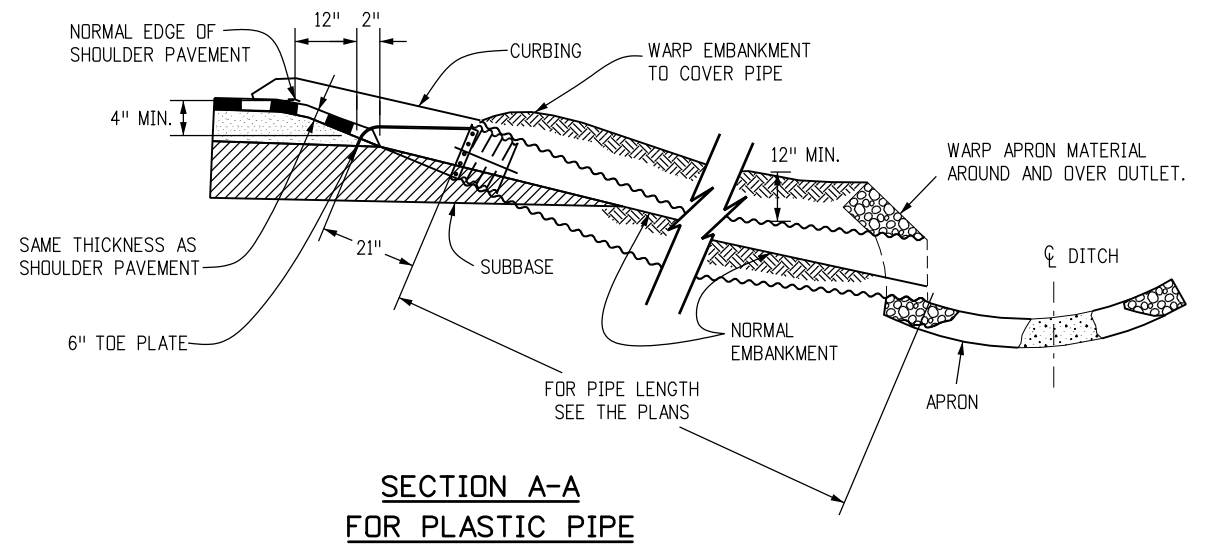
615 - EMBANKMENT PROTECTOR (TYPE 3)EACH

NOTE: THIS PAYMENT INCLUDES THE END SECTION, THE TRASH GUARD (WHEN SPECIFIED ON THE PLANS), PIPE CONNECTION, STRUCTURE EXCAVATION, EMBANKMENT MATERIAL AND ANY EXTRA WORK REQUIRED TO MODIFY OTHER PAY ITEMS.

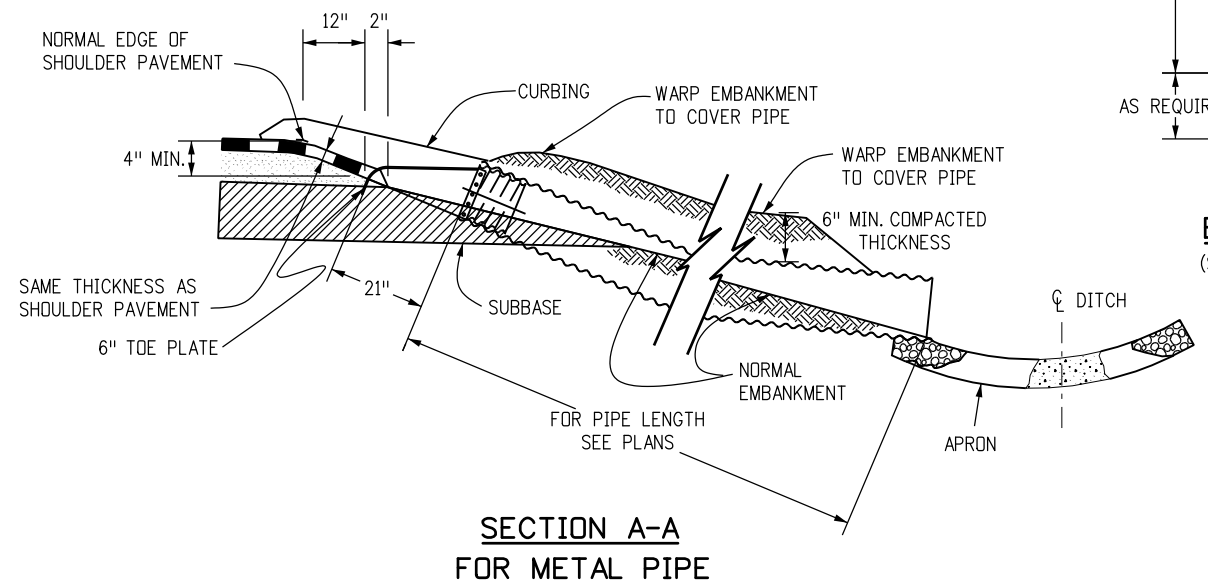
603 - 12 IN. TO 18 IN. PIPELINEAR FT.



END SECTION OF STUB
(SEE STANDARD M-603-10, SHEET 2 OF 2 FOR DIMENSIONS)



SECTION A-A FOR PLASTIC PIPE



SECTION A-A FOR METAL PIPE

| Computer File Information | |
|--|-------|
| Creation Date: 07/31/19 | |
| Designer Initials: JBK | (R-X) |
| Last Modification Date: 07/31/19 | (R-X) |
| Detailer Initials: LTA | (R-X) |
| CAD Ver.: MicroStation V8 Scale: Not to Scale Units: English | (R-X) |

| Sheet Revisions | |
|-----------------|----------|
| Date: | Comments |
| | |
| | |
| | |

Colorado Department of Transportation

2829 West Howard Place
 CDDT HQ, 3rd Floor
 Denver, CO 80204
 Phone: 303-757-9021 FAX: 303-757-9868

Project Development Branch **JBK**

EMBANKMENT PROTECTOR TYPE 3

Issued by the Project Development Branch: July 31, 2019

STANDARD PLAN NO.

M-615-1

Standard Sheet No. 1 of 1

Project Sheet Number: