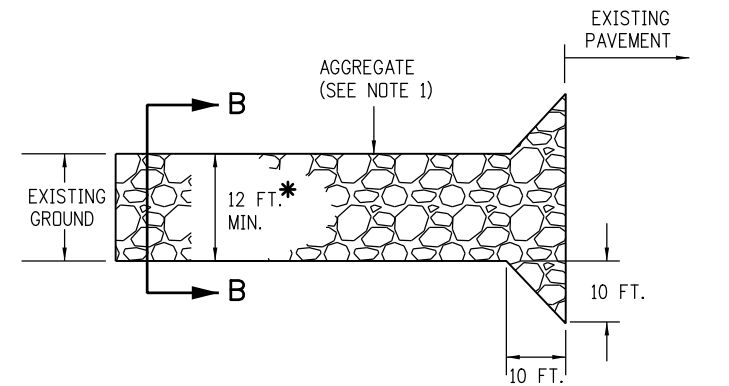


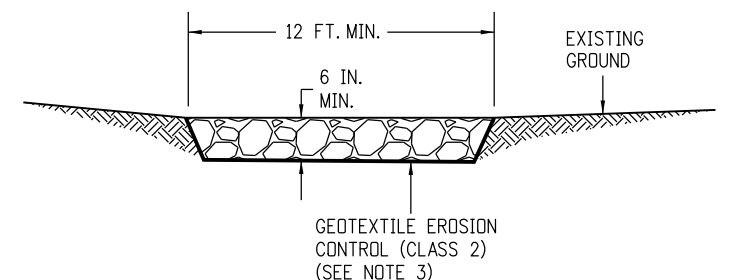
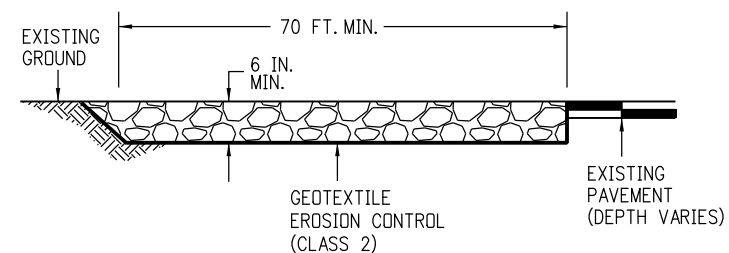
**NOTES:**

1. A FENCE (PLASTIC) CONFORMING TO SECTION 607 SHALL BE INSTALLED AROUND THE CONCRETE WASHOUT AREA, EXCEPT AT THE OPENING.
2. THE CONCRETE WASHOUT SIGN SHALL HAVE LETTERS AT LEAST 3 INCHES HIGH AND CONFORM TO SUBSECTION 630.02.
3. ALL MATERIALS AND LABOR TO COMPLETE THE CONCRETE WASHOUT STRUCTURE SHALL BE INCLUDED IN THE COST OF WORK AND NOT PAID FOR SEPARATELY.
4. THE BOTTOM OF EXCAVATION SHALL BE A MINIMUM OF FIVE FEET ABOVE GROUND WATER. IF NOT, THE BOTTOM OF EXCAVATION SHALL BE IN ACCORDANCE WITH 208.02 (j).
5. THE PAY ITEM NUMBER FOR CONCRETE WASHOUT STRUCTURE (EACH) IS 208-00045.

**CONCRETE WASHOUT STRUCTURE**



\* SHALL EXTEND FULL WIDTH OF INGRESS AND EGRESS OPERATION.

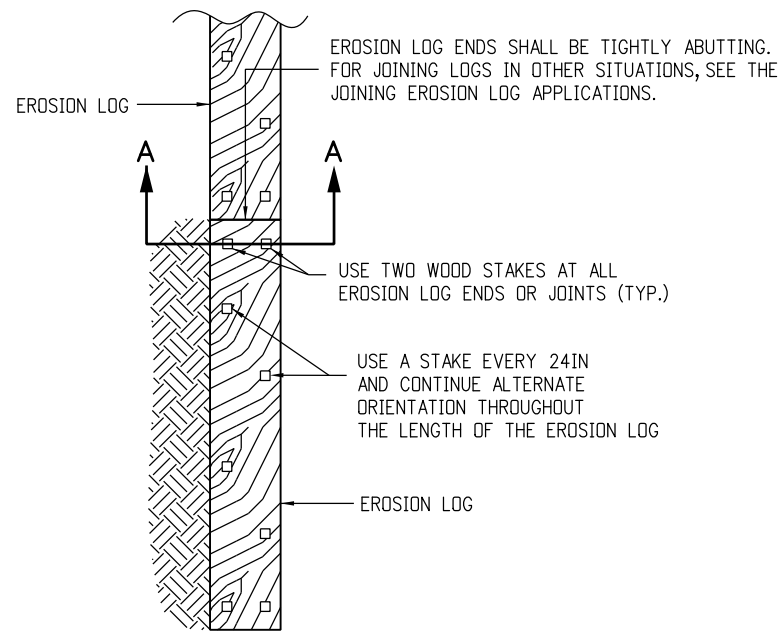


**NOTES:**

1. AGGREGATE SHALL CONFORM TO SUBSECTION 208.02 (i).
2. THE CONTRACTOR SHALL PROTECT CURB AND GUTTER THAT CROSSES THE ENTRANCE FROM DAMAGE, WHILE NOT BLOCKING FLOW OF WATER THRU STRUCTURE. PROTECTION OF THE CURB AND GUTTER SHALL BE INCLUDED IN THE COST OF WORK AND NOT PAID FOR SEPARATELY.
3. GEOTEXTILE SHALL CONFORM TO SUBSECTION 712.08.
4. ALL MATERIALS AND LABOR TO COMPLETE THE VEHICLE TRACKING PAD SHALL BE INCLUDED IN THE COST OF WORK AND NOT PAID FOR SEPARATELY.
5. THE PAY ITEM NUMBER FOR VEHICLE TRACKING PAD (EACH) IS 208-00070.

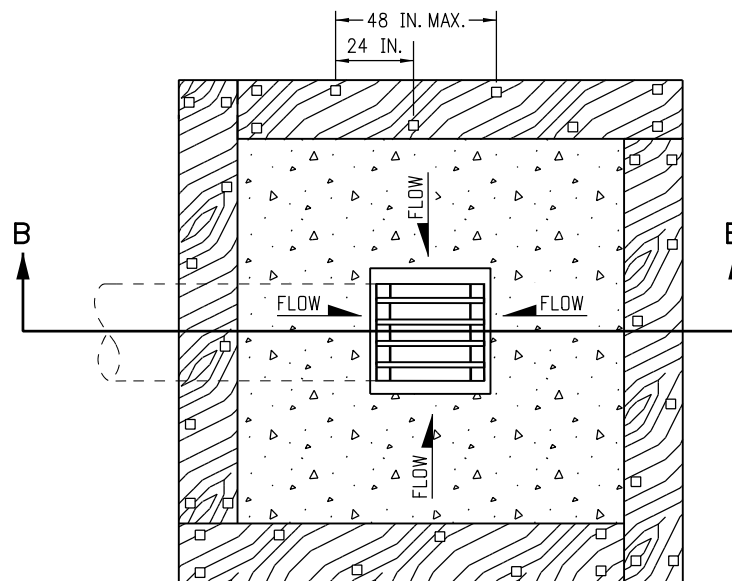
**VEHICLE TRACKING PAD**

<b>Computer File Information</b>		<b>Sheet Revisions</b>	<b>Colorado Department of Transportation</b>	<b>TEMPORARY EROSION CONTROL</b>		<b>STANDARD PLAN NO. M-208-1</b>	
Creation Date: 07/31/19		Date: _____	2829 West Howard Place CDDT HQ, 3rd Floor Denver, CO 80204 Phone: 303-757-9021 FAX: 303-757-9868	Issued by the Project Development Branch: July 31, 2019		Standard Sheet No. 1 of 11  Project Sheet Number: _____	
Designer Initials: JBK	(R-X)	Comments: _____			<b>Project Development Branch</b>		<b>JBK</b>
Last Modification Date: 07/31/19	(R-X)	_____					
Detailer Initials: LTA	(R-X)	_____					
CAD Ver.: MicroStation V8 Scale: Not to Scale Units: English	(R-X)	_____					

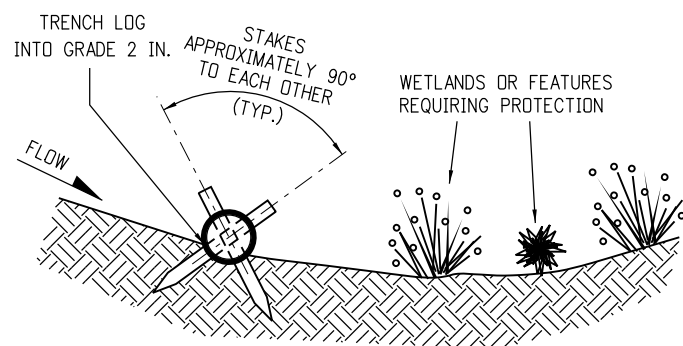


**PLAN VIEW**

EROSION LOGS PAY ITEMS	
NUMBER	DESCRIPTION
208-00012	TYPE 1 (9 IN.)
208-00002	TYPE 1 (12 IN.)
208-00013	TYPE 1 (20 IN.)
208-00007	TYPE 2 (8 IN.)
208-00008	TYPE 2 (12 IN.)
208-00009	TYPE 2 (18 IN.)
208-00022	TYPE 3 (9 IN.)
208-00023	TYPE 3 (12 IN.)
208-00024	TYPE 3 (20 IN.)



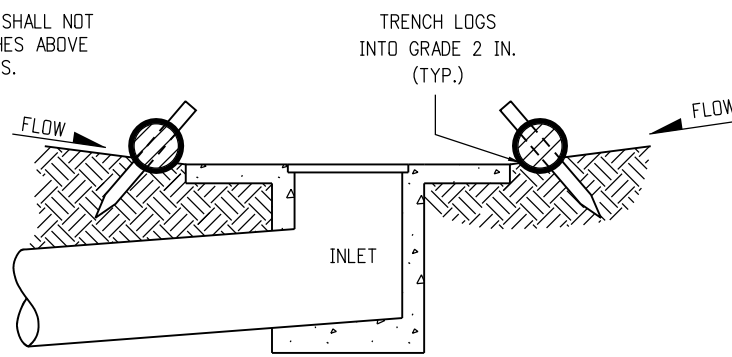
**PLAN VIEW**



**SECTION A-A**

**TYPICAL STAKE INSTALLATION**

NOTE: THE TOPS OF ALL STAKES SHALL NOT EXTEND MORE THAN 2 INCHES ABOVE THE TOPS OF EROSION LOGS.

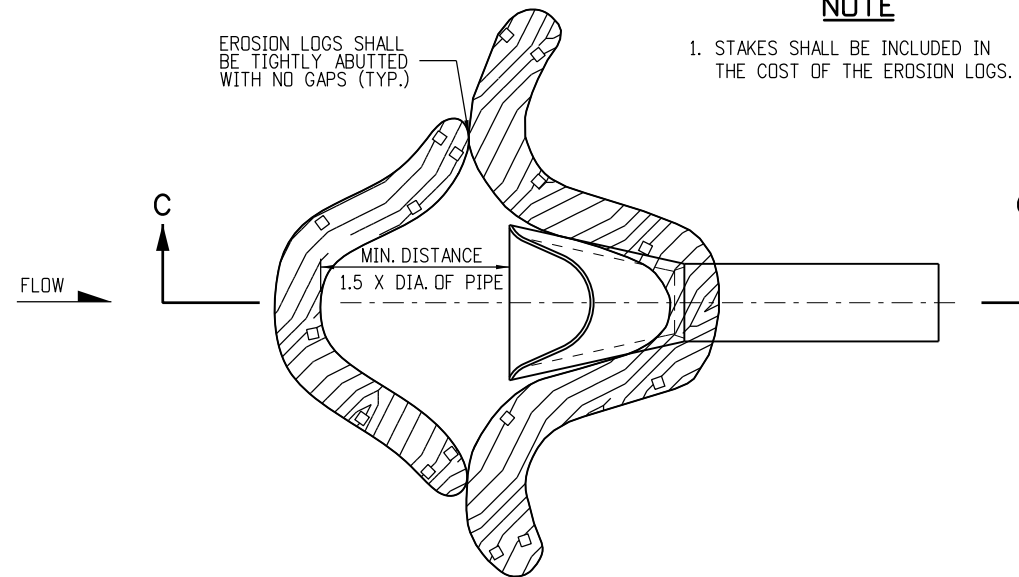


**SECTION B-B**

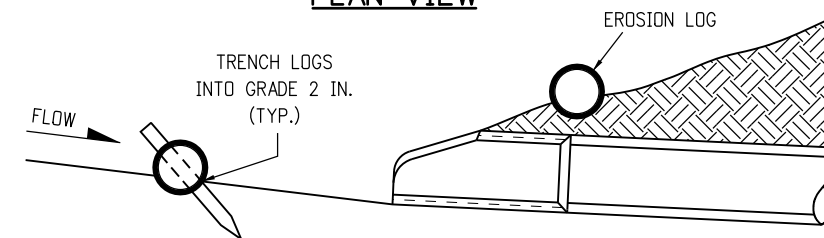
**EROSION LOG FILTER AT DROP INLET**

NOTE: LOCATE EROSION LOGS AT THE OUTSIDE EDGE OF THE CONCRETE APRON.

**NOTE**  
1. STAKES SHALL BE INCLUDED IN THE COST OF THE EROSION LOGS.



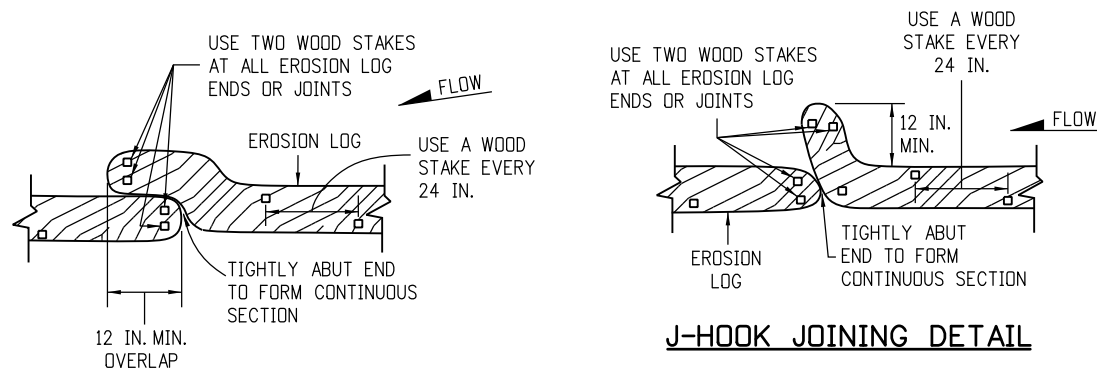
**PLAN VIEW**



**SECTION C-C**  
(NOT ALL LOGS SHOWN)

NOTE: TOP OF STAKE SHALL NOT EXTEND PAST TOP OF EROSION LOG MORE THAN 2 IN.

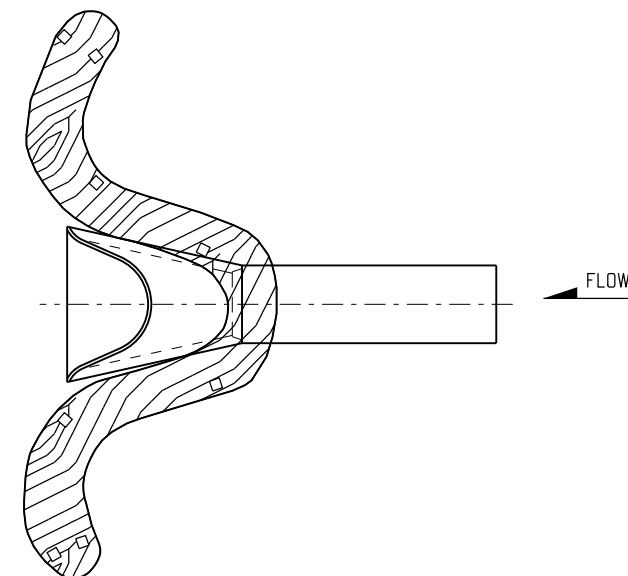
**EROSION LOG CULVERT INLET PROTECTION**



**OVERLAP JOINING DETAIL**

**J-HOOK JOINING DETAIL**

**JOINING EROSION LOG APPLICATIONS**



**EROSION LOG CULVERT OUTLET PROTECTION**

**EROSION LOG APPLICATIONS**

Computer File Information	
Creation Date: 07/31/19	
Designer Initials: JBK	(R-X)
Last Modification Date: 07/31/19	(R-X)
Detailer Initials: LTA	(R-X)
CAD Ver.: MicroStation V8 Scale: Not to Scale Units: English	(R-X)

Sheet Revisions	
Date:	Comments

Colorado Department of Transportation  
2829 West Howard Place  
CDOT HQ, 3rd Floor  
Denver, CO 80204  
Phone: 303-757-9021 FAX: 303-757-9868  
Project Development Branch JBK

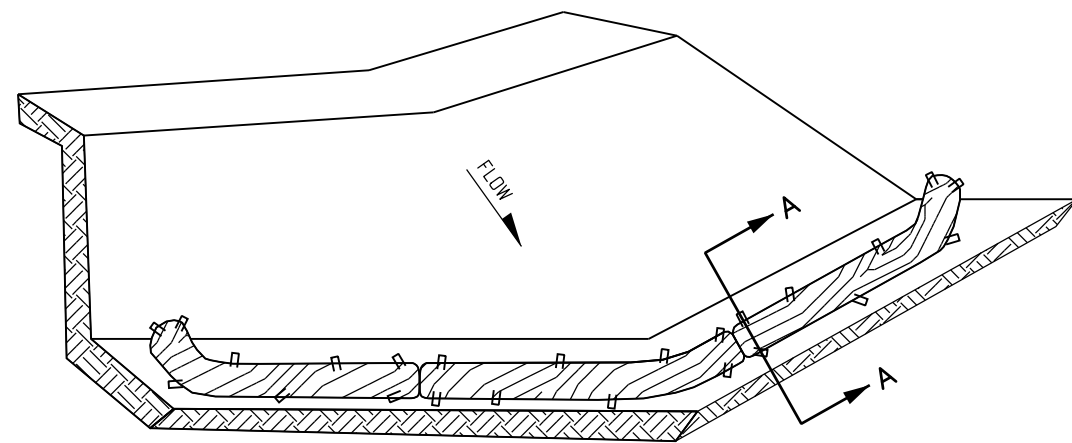
**TEMPORARY  
EROSION CONTROL**

Issued by the Project Development Branch: July 31, 2019

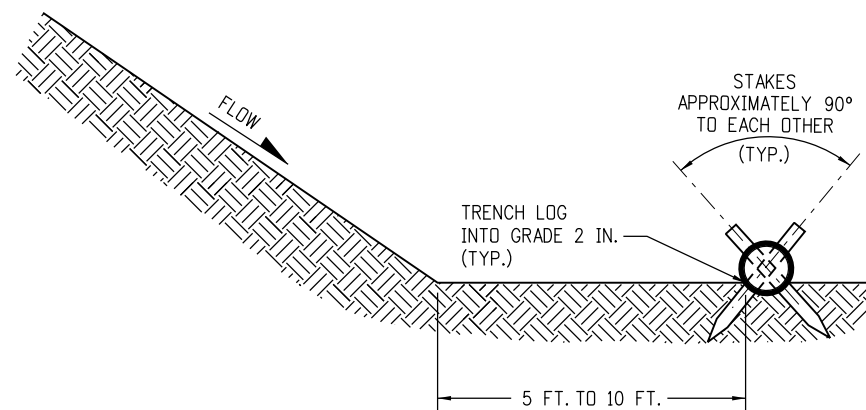
STANDARD PLAN NO.  
M-208-1  
Standard Sheet No. 2 of 11  
Project Sheet Number:

**NOTES**

1. SILT FENCE SHALL HAVE A MAXIMUM DRAINAGE AREA OF ONE-QUARTER ACRE PER 100 FEET OF SILT FENCE LENGTH; MAXIMUM SLOPE LENGTH BEHIND BARRIER IS 100 FEET.
2. SILT FENCE USED AT TOE OF SLOPE SHALL BE PLACED 5 TO 10 FEET BEYOND TOE OF SLOPE TO PROVIDE STORAGE CAPACITY.
3. SILT FENCE SHALL BE PLACED PARALLEL TO THE CONTOUR WITH ENDS FLARED UP SLOPE.
4. THE MAXIMUM LENGTH OF EROSION LOGS OR SILT FENCES WITHOUT A FLARED END TURNING UPSLOPE IS 150 FEET.



**ISOMETRIC VIEW**



**SECTION A-A**

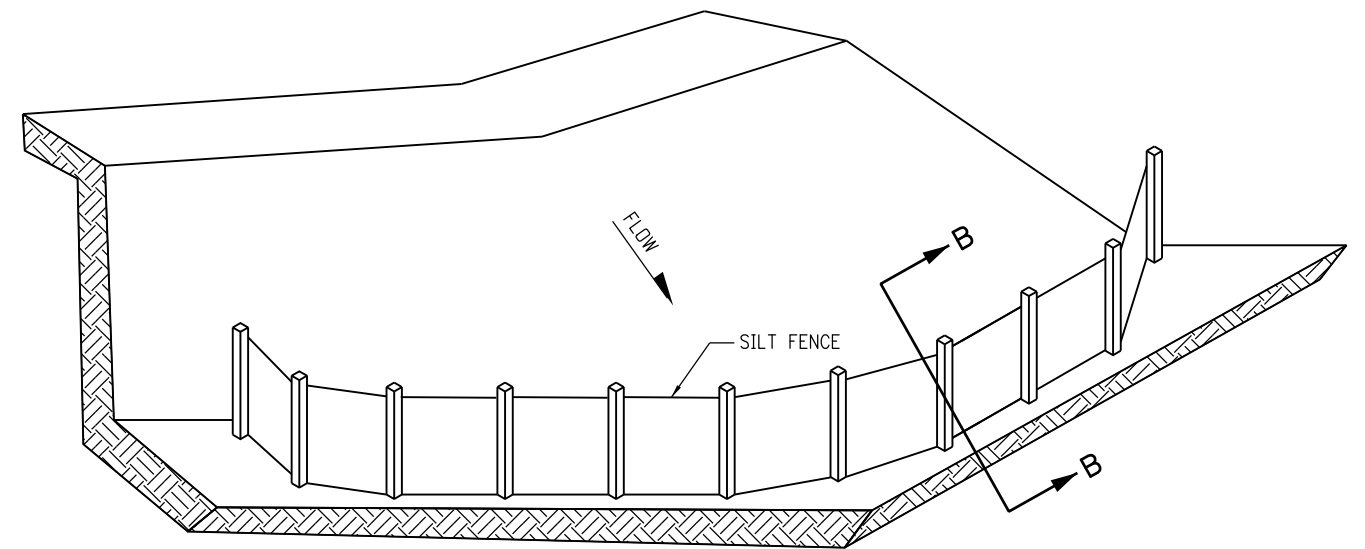
NOTE: THE TOPS OF ALL STAKES SHALL NOT EXTEND MORE THAN 2 INCHES ABOVE THE TOPS OF EROSION LOGS.

EROSION LOGS PAY ITEMS	
NUMBER	DESCRIPTION
208-00012	TYPE 1 (9 IN.)
208-00002	TYPE 1 (12 IN.)
208-00013	TYPE 1 (20 IN.)
208-00007	TYPE 2 (8 IN.)
208-00008	TYPE 2 (12 IN.)
208-00009	TYPE 2 (18 IN.)
208-00022	TYPE 3 (9 IN.)
208-00023	TYPE 3 (12 IN.)
208-00024	TYPE 3 (20 IN.)

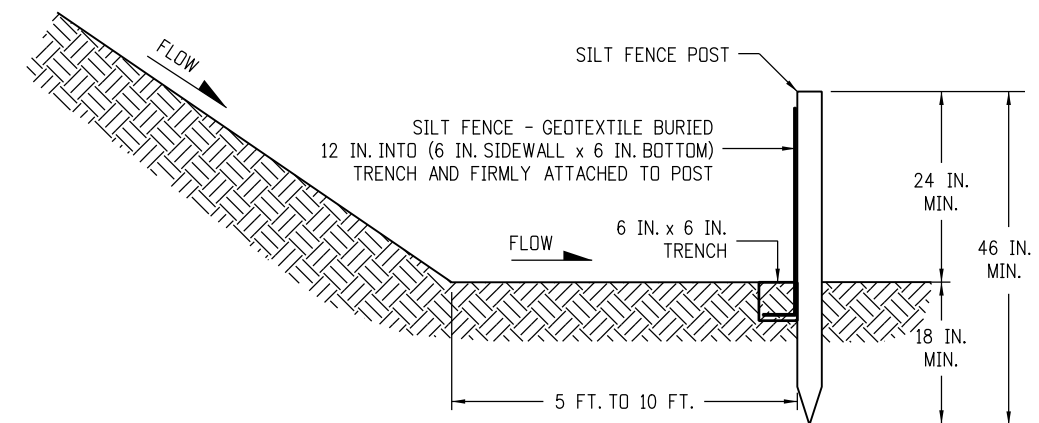
**NOTES:**

1. EROSION LOGS USED AT TOE OF SLOPE SHALL BE PLACED 5 TO 10 FEET BEYOND TOE OF SLOPE TO PROVIDE STORAGE CAPACITY.
2. EROSION LOGS SHALL BE PLACED ON THE CONTOUR WITH ENDS FLARED UP SLOPE.
3. SEE SHEET 2 OF 11 FOR JOINING LOGS DETAIL.

**EROSION LOG TOE OF SLOPE PROTECTION**



**ISOMETRIC VIEW**



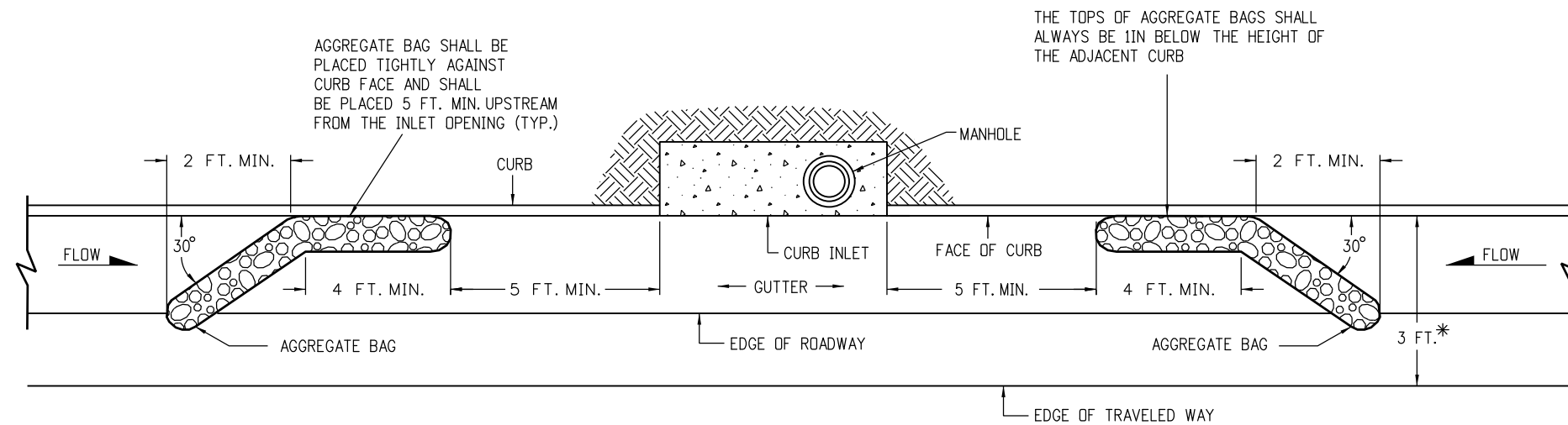
**SECTION B-B**

**SILT FENCE TOE OF SLOPE PROTECTION**

NOTE: THE PAY ITEM NUMBER FOR SILT FENCE (LF) IS 208-00020.

**TOE OF SLOPE PROTECTION APPLICATIONS**

Computer File Information		Sheet Revisions		Colorado Department of Transportation 2829 West Howard Place CDDT HQ, 3rd Floor Denver, CO 80204 Phone: 303-757-9021 FAX: 303-757-9868 Project Development Branch	TEMPORARY EROSION CONTROL	STANDARD PLAN NO.	
Creation Date: 07/31/19	(R-X)	Date:	Comments:			Issued by the Project Development Branch: July 31, 2019	M-208-1
Designer Initials: JBK	(R-X)						
Last Modification Date: 07/31/19	(R-X)						
Detailer Initials: LTA	(R-X)						
CAD Ver.: MicroStation V8 Scale: Not to Scale Units: English	(R-X)					Project Sheet Number:	

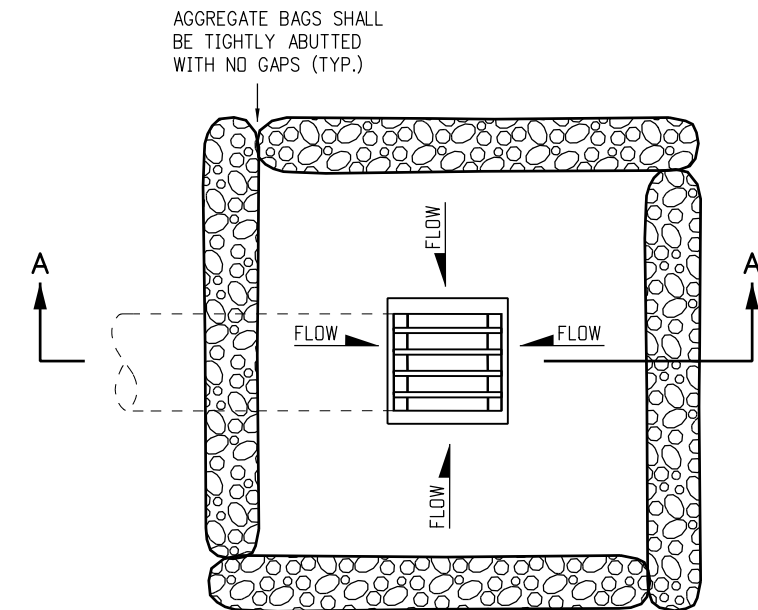


**PLAN VIEW**

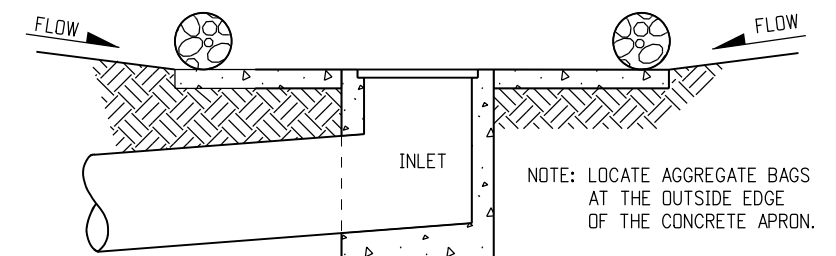
\* NOTE: USE AGGREGATE BAGS ONLY WHEN THERE IS A MINIMUM CLEARANCE OF 3 FEET FROM THE EDGE OF THE TRAVELED WAY (INCLUDING CONDITIONS DURING DETOURS) TO THE FACE OF CURB.

LENGTH (L) OF INLET FT.	NUMBER OF AGGREGATE BAGS UPSTREAM OF INLET
0 - 5	1
6 - 10	2
L > 10	3

**AGGREGATE BAGS AT STORM DRAIN INLET (TYPE I)**



**PLAN VIEW**



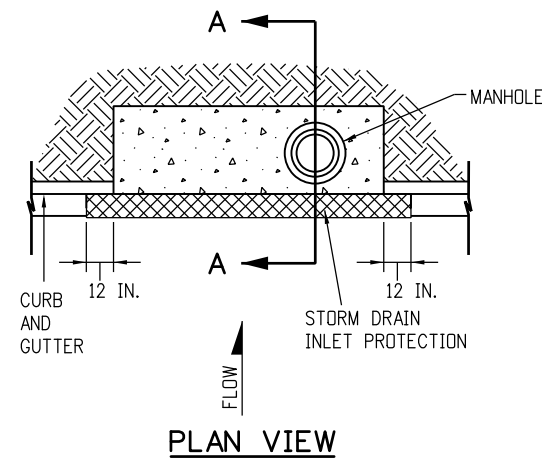
**SECTION A-A**

**AGGREGATE BAGS AT DROP INLET**

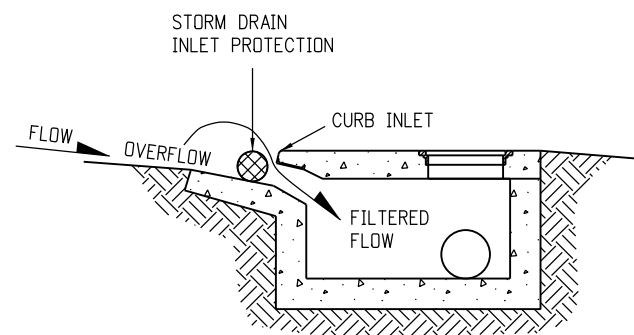
**AGGREGATE BAG APPLICATIONS**

NOTE: THE PAY ITEM NUMBER FOR AGGREGATE BAG (LF) IS 208-00035

Computer File Information		Sheet Revisions		Colorado Department of Transportation 2829 West Howard Place CDDT HQ, 3rd Floor Denver, CO 80204 Phone: 303-757-9021 FAX: 303-757-9868 Project Development Branch	TEMPORARY EROSION CONTROL	STANDARD PLAN NO.	
Creation Date: 07/31/19	(R-X)	Date:	Comments:			Issued by the Project Development Branch: July 31, 2019	M-208-1
Designer Initials: JBK	(R-X)						
Last Modification Date: 07/31/19	(R-X)						
Detailer Initials: LTA	(R-X)						
CAD Ver.: MicroStation V8 Scale: Not to Scale Units: English	(R-X)					Project Sheet Number:	



**PLAN VIEW**

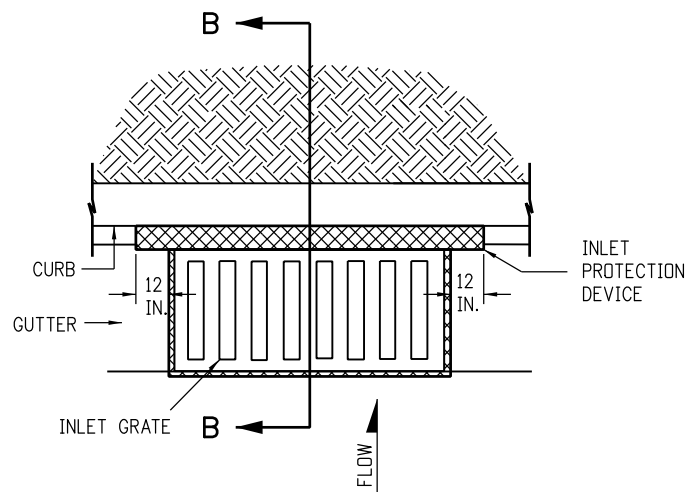


**SECTION A-A**

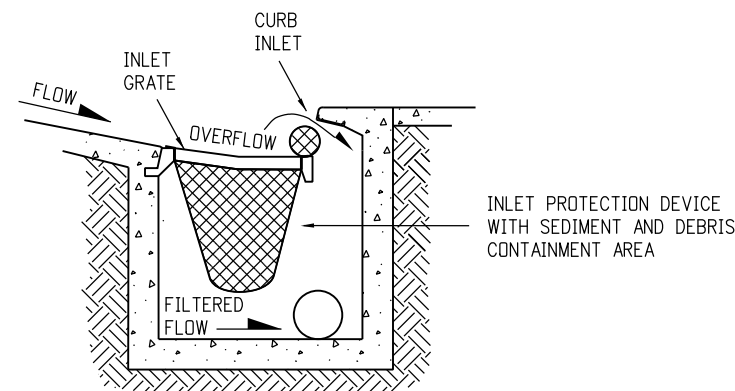
**STORM DRAIN INLET PROTECTION (TYPE I)**

**NOTES:**

1. INLET PROTECTION DEVICE SHALL EXTEND 12 INCHES PAST EACH END OF THE INLET.
2. THE PAY ITEM NUMBERS FOR STORM DRAIN INLET PROTECTION (TYPE I) ARE 208-00051 (LF), 208-00053 84 INCHES (EACH), 208-00057 144 INCHES (EACH), AND 208-00058 204 INCHES (EACH).
3. FOR STORM DRAIN INLET TYPES I AND II, IF THERE IS A MINIMUM CLEARANCE OF 3 FEET FROM THE EDGE OF THE TRAVELED WAY TO THE FACE OF CURB, USE THE AGGREGATE BAGS AT STORM DRAIN INLET (TYPE I) DETAIL ON SHEET 4 INSTEAD.



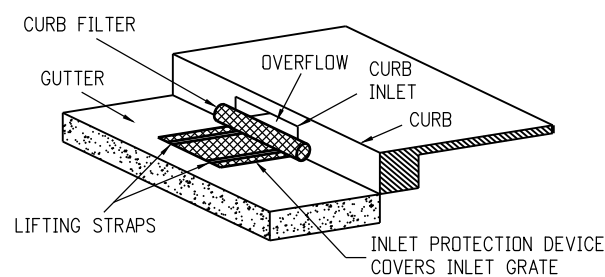
**PLAN VIEW**



**SECTION B-B**

**OPTION A**

**STORM DRAIN INLET PROTECTION (TYPE II)**

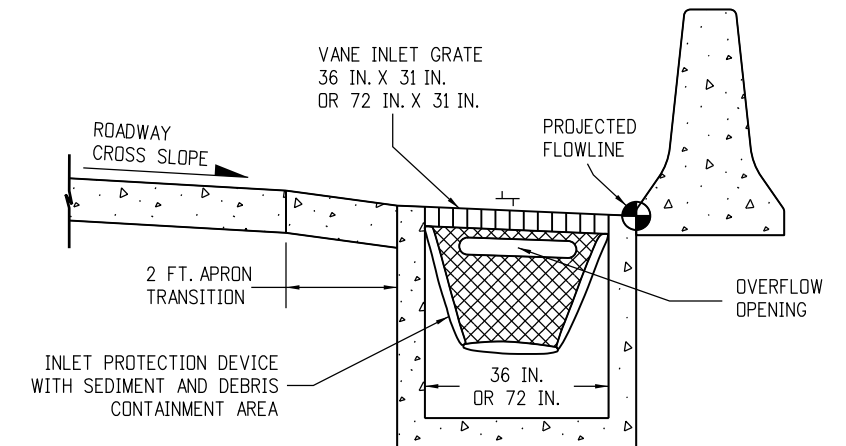


**ISOMETRIC VIEW**

**OPTION B**

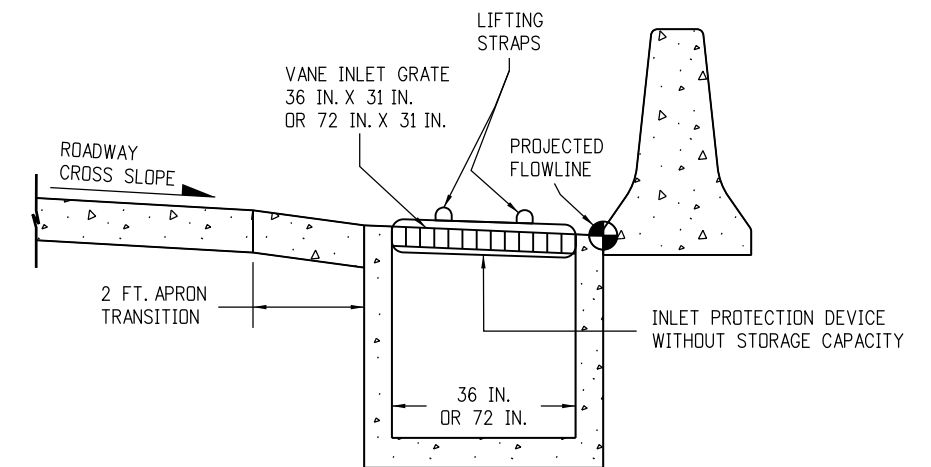
**STORM DRAIN INLET PROTECTION (TYPE II)**

NOTE: THE PAY ITEM NUMBERS FOR STORM DRAIN INLET PROTECTION (TYPE II) ARE 208-00054 (EACH).



**OPTION A**

**STORM DRAIN INLET PROTECTION (TYPE III)**



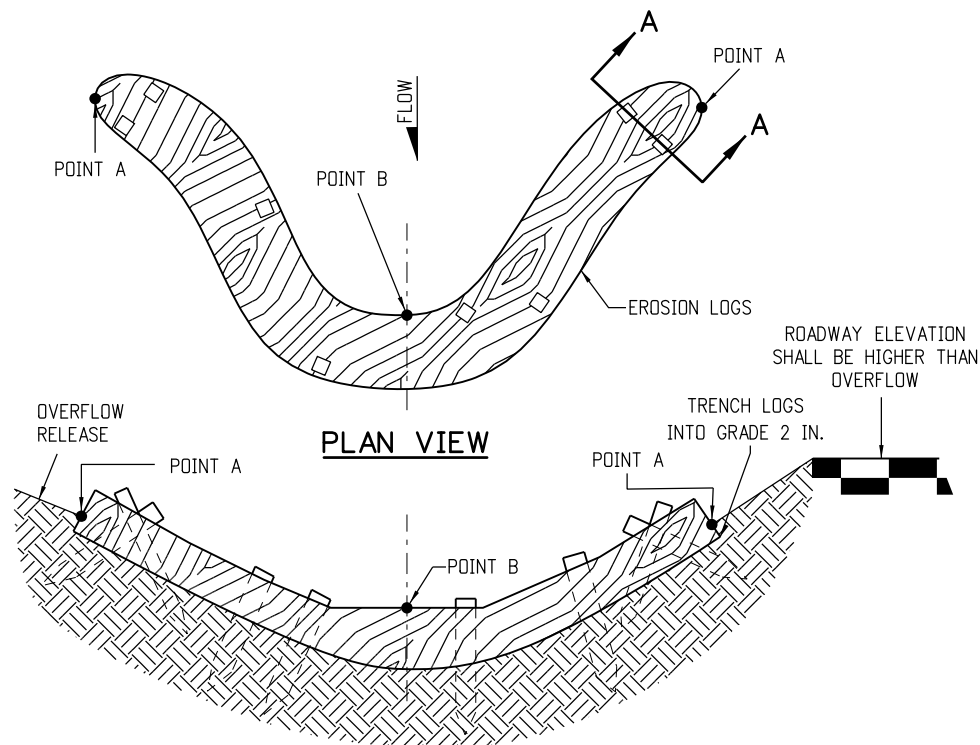
**OPTION B**

**STORM DRAIN INLET PROTECTION (TYPE III)**

NOTE: THE PAY ITEM NUMBER FOR STORM DRAIN INLET PROTECTION (TYPE III) (EACH) IS 208-00056.

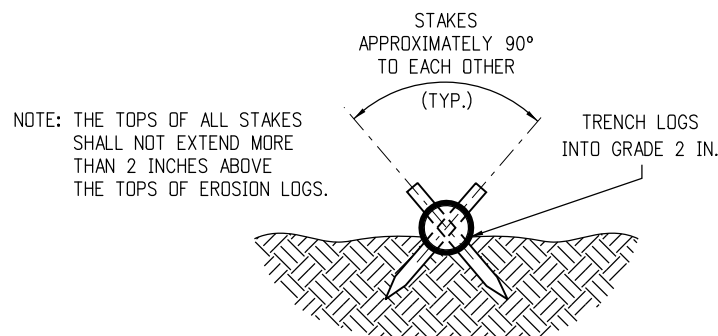
**STORM DRAIN INLET PROTECTION TYPES**

<b>Computer File Information</b>		<b>Sheet Revisions</b>		Colorado Department of Transportation 2829 West Howard Place CDDT HQ, 3rd Floor Denver, CO 80204 Phone: 303-757-9021 FAX: 303-757-9868 <b>Project Development Branch</b>	<b>TEMPORARY EROSION CONTROL</b>	<b>STANDARD PLAN NO.</b>	
Creation Date: 07/31/19		Date:	Comments			M-208-1	
Designer Initials: JBK	(R-X)					Standard Sheet No. 5 of 11	
Last Modification Date: 07/31/19	(R-X)						
Detailer Initials: LTA	(R-X)						
CAD Ver.: MicroStation V8 Scale: Not to Scale Units: English	(R-X)			Project Development Branch	JBK	Issued by the Project Development Branch: July 31, 2019	Project Sheet Number:



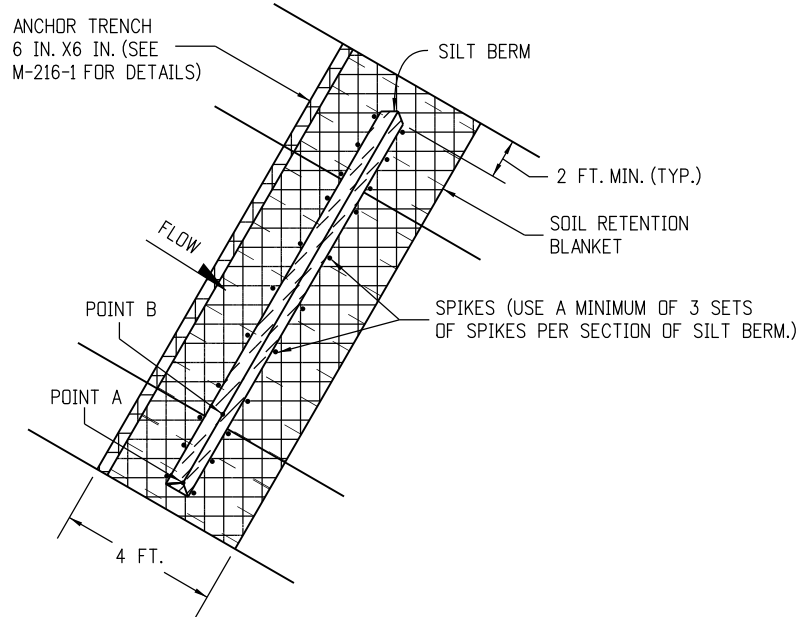
NOTE: POINTS "A" SHALL BE A MINIMUM 4 IN. HIGHER THAN POINT "B".

**ELEVATION**

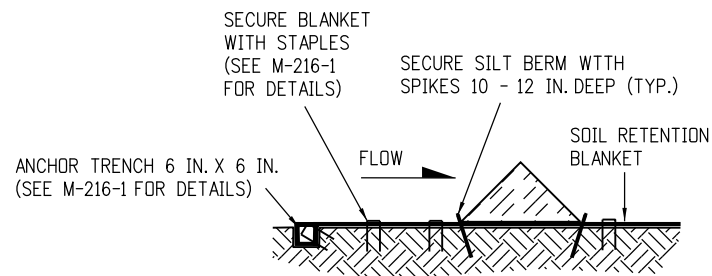


- NOTES:
1. EROSION LOGS SHALL BE EMBEDDED 2 INCHES INTO THE SOIL.
  2. EROSION LOGS SHALL BE TIGHTLY ABUTTED WITH NO GAPS.
  3. V-SHAPED TEMPORARY DITCHES SHALL NOT BE USED. DITCHES SHALL BE GRADED IN A PARABOLIC OR TRAPEZOIDAL SHAPE.

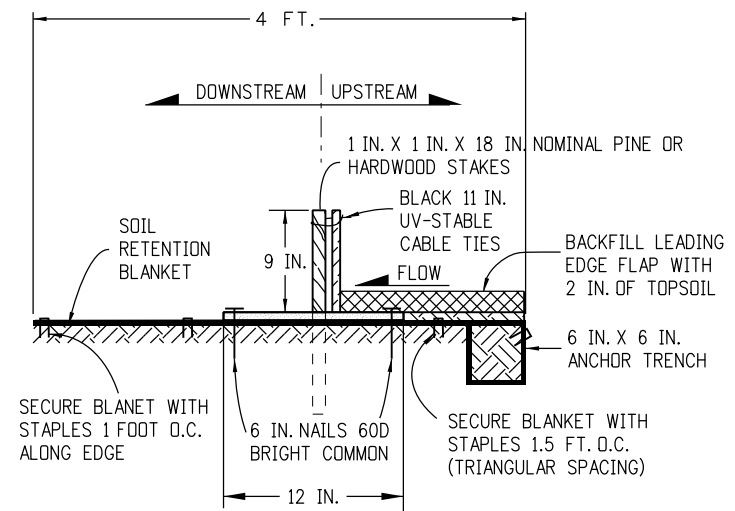
**EROSION LOG INSTALLATION**



**PLAN VIEW**

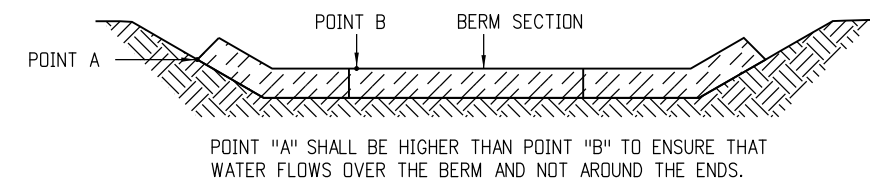


**SILT BERM (1) SECTION VIEW**



- NOTES:
1. MINIMUM 4 NAILS PER SEGMENT (UPSTREAM).
  2. MINIMUM 2 NAILS PER SEGMENT (DOWNSTREAM).
  3. MINIMUM 2 WOOD STAKES PER SEGMENT.

**SILT BERM (2) SECTION VIEW**

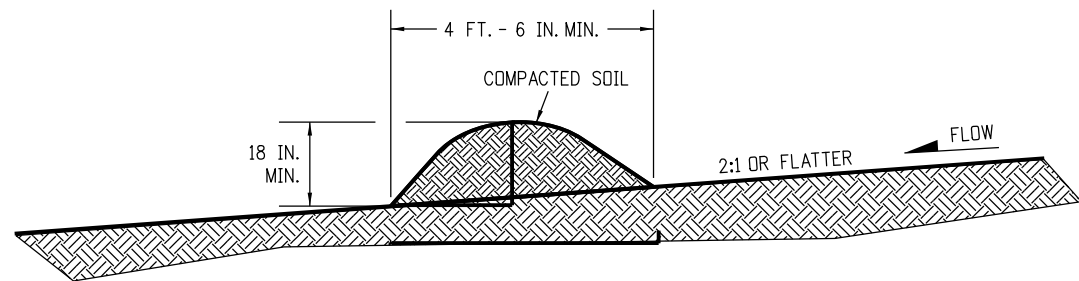


- NOTES
1. ANCHOR SOIL RETENTION BLANKET INTO TRENCH WITH 8 INCHES MIN. STAPLES PLACED AT 1 FOOT INTERVALS ALONG EDGE.
  2. FILL AND COMPACT TRENCH.
  3. SECTIONS OF THE SILT BERM SHALL BE OVERLAPPED WITH NO GAPS.
  4. FOR SLOPE AND CHANNEL SPACING SEE THE "SECTION VIEW ALONG DITCH FLOWLINE" DETAIL ON SHEET 11 OF 11.
  5. SOIL RETENTION BLANKET SHALL ALWAYS BE REQUIRED.
  6. THE PAY ITEM NUMBER FOR SILT BERM (LF) IS 208-00004.

**SILT BERM INSTALLATION**

**DRAINAGE DITCH APPLICATIONS**

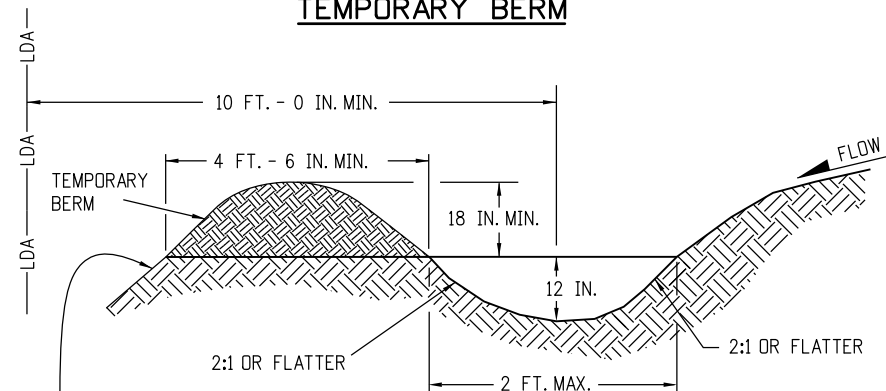
<b>Computer File Information</b>		<b>Sheet Revisions</b>		Colorado Department of Transportation 2829 West Howard Place CDDT HQ, 3rd Floor Denver, CO 80204 Phone: 303-757-9021 FAX: 303-757-9868 <b>Project Development Branch</b>	<b>TEMPORARY EROSION CONTROL</b>	<b>STANDARD PLAN NO.</b>	
Creation Date: 07/31/19		Date:	Comments			M-208-1	
Designer Initials: JBK		(R-X)				Standard Sheet No. 6 of 11	
Last Modification Date: 07/31/19		(R-X)					
Detailer Initials: LTA		(R-X)					
CAD Ver.: MicroStation V8 Scale: Not to Scale Units: English		(R-X)		Project Sheet Number:			
				JBK	Issued by the Project Development Branch: July 31, 2019		



**NOTES:**

1. BERMS SHALL HAVE A HEIGHT OF 18 INCHES, SIDE SLOPES OF 2:1 OR FLATTER AND A MINIMUM BASE WIDTH OF 4 FT. -6 IN.
2. BERMS SHALL BE USED TO INTERCEPT AND DIVERT DRAINAGE TO A DESIGNATED OUTLET.
3. BERMS SHALL NOT BE USED WHERE DRAINAGE AREA EXCEEDS 10 ACRES.
4. BERMS SHALL BE CONSTRUCTED OUT OF ACCEPTABLE MATERIAL THAT CAN BE COMPACTED AND RECEIVE AT A MINIMUM HEAVY EQUIPMENT WHEEL ROLLED COMPACTION.
5. TEMPORARY BERMS SHALL BE CONSTRUCTED OUT OF EMBANKMENT (SUBSOIL) AND IN NO CIRCUMSTANCE CONSTRUCTED OUT OF SALVAGED TOPSOIL.
6. THE PAY ITEM NUMBER FOR TEMPORARY BERM (LF) IS 208-00300.

**TEMPORARY BERM**

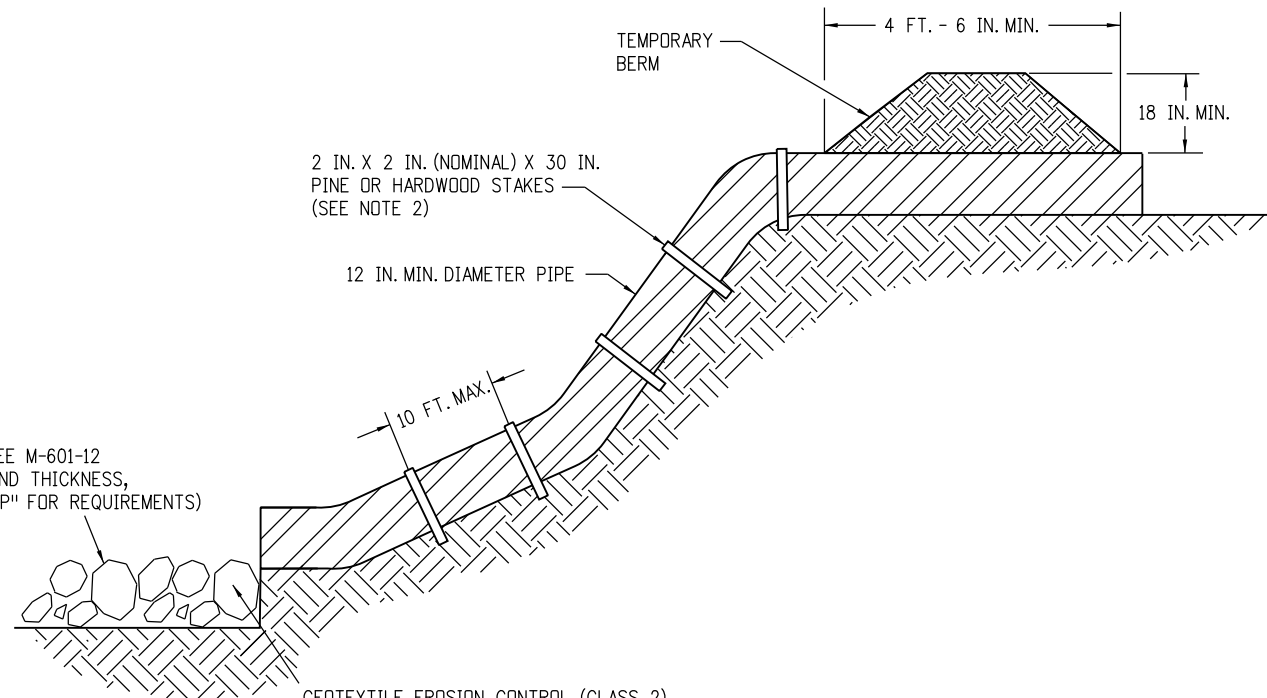


FOR BERMS TALLER THAN 2 FT.,  
INSTALL TOE OF SLOPE CONTROL MEASURES.  
SEE SHEET 3 OF 11 FOR DETAILS.

**NOTES:**

1. TEMPORARY DIVERSION DITCHES SHALL BE CONSTRUCTED ACROSS THE SLOPE TO INTERCEPT RUNOFF AND DIRECT IT TO A STABLE OUTLET OR SEDIMENT TRAP.
2. USE THE TEMPORARY DIVERSION DITCH IMMEDIATELY ABOVE A NEW CUT, FILL SLOPE, OR AROUND THE PERIMETER OF A DISTURBED AREA.
3. THE GRADIENT ALONG THE FLOW PATH SHALL HAVE A POSITIVE GRADE TO ASSURE DRAINAGE, BUT SHALL NOT BE SO STEEP AS TO RESULT IN EROSION DUE TO HIGH VELOCITY.
4. THE DIVERSION FLOWLINE SHALL ALWAYS BE LOCATED A MINIMUM 10 FEET FROM THE OUTSIDE LIMITS OF DISTURBED AREA BOUNDARY.
5. THE PAY ITEM NUMBER FOR TEMPORARY DIVERSION (LF) IS 208-00301.

**TEMPORARY DIVERSION**



\* RIPRAP OUTLET PROTECTION (SEE M-601-12 FOR MIN. HORIZONTAL LAYOUT AND THICKNESS, AND SPECIFICATION 506 "RIPRAP" FOR REQUIREMENTS)

\* RIPRAP SIZE  $D_{50} = 6$  IN. OR AS SHOWN ON THE PLANS.

GEOTEXTILE EROSION CONTROL (CLASS 2) SHALL ALWAYS BE REQUIRED

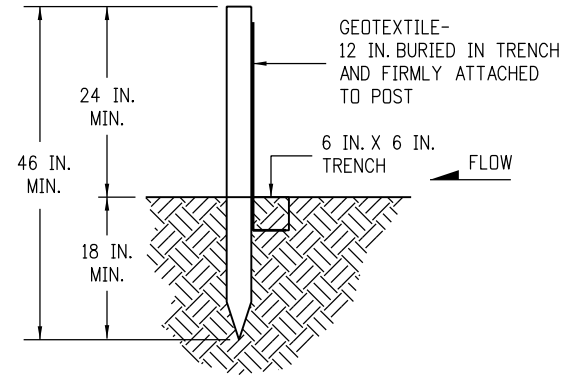
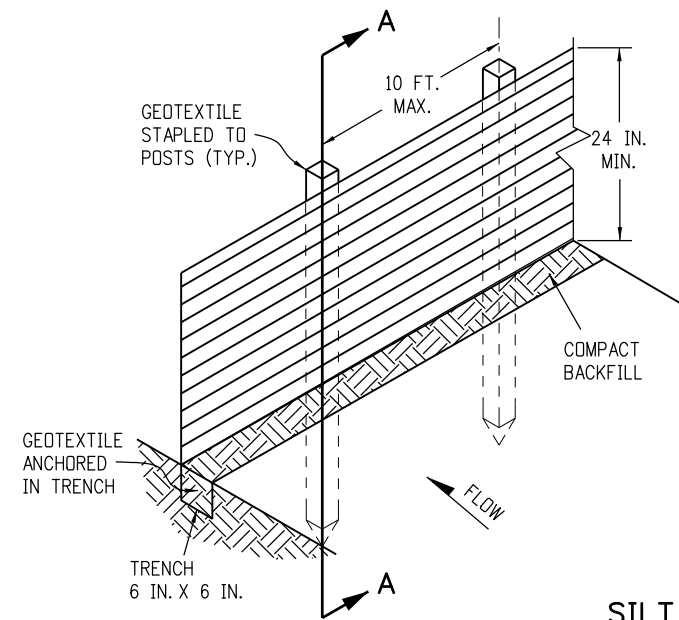
**NOTES:**

1. ANCHOR SIZE VARIES ACCORDING TO PIPE SIZE
2. TO SECURE THE PIPE, DRIVE STAKES INTO GROUND, THEN TIE A 12 GAUGE WIRE BETWEEN THEM ABOVE AND ACROSS THE PIPE'S WIDTH.
3. THE OUTLET SHALL BE ALIGNED WITH THE FLOW DIRECTION OF THE EXISTING GRADE. PERPENDICULAR DISCHARGE TO A CHANNEL SHALL NOT BE ACCEPTABLE.
4. THE GRADE AROUND THE INLET TO THE PIPE SHALL BE COMPACTED.
5. THE PAY ITEM NUMBER FOR TEMPORARY SLOPE DRAINS (LF) IS 208-00060.

**TEMPORARY SLOPE DRAINS**

**GRADING APPLICATIONS**

<b>Computer File Information</b>		<b>Sheet Revisions</b>		Colorado Department of Transportation 2829 West Howard Place CDDT HQ, 3rd Floor Denver, CO 80204 Phone: 303-757-9021 FAX: 303-757-9868 <b>Project Development Branch</b>	<b>TEMPORARY EROSION CONTROL</b>	<b>STANDARD PLAN NO.</b>	
Creation Date: 07/31/19		Date:	Comments:			M-208-1	
Designer Initials: JBK		(R-X)				Standard Sheet No. 7 of 11	
Last Modification Date: 07/31/19		(R-X)					
Detailer Initials: LTA		(R-X)				Project Sheet Number:	
CAD Ver.: MicroStation V8 Scale: Not to Scale Units: English		(R-X)		Issued by the Project Development Branch: July 31, 2019			

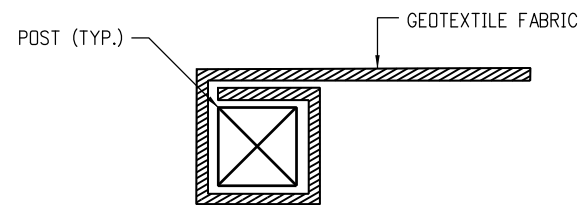


SECTION A-A

**SILT FENCE**

NOTES:

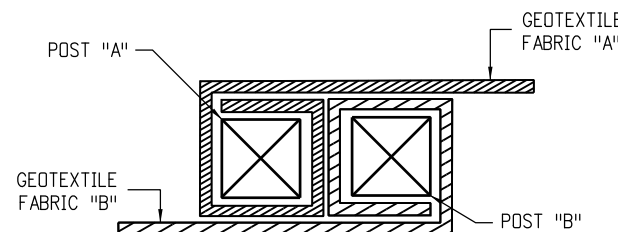
1. GEOTEXTILE SHALL BE ATTACHED TO WOOD POSTS WITH THREE OR MORE STAPLES PER POST. STAPLES SHALL BE HEAVY DUTY WIRE AND AT LEAST 1 INCH LONG.
2. WOOD POST SHALL BE 1 IN. X 1 IN. NOMINAL.
3. THE PAY ITEM NUMBER FOR SILT FENCE (LF) IS 208-00020.
4. THE SILT FENCE SHALL BE PLACED ON THE CONTOUR (AT THE SAME ELEVATION ±6 IN.). THE ENDS SHALL BE FLARED UP SLOPE (MINIMUM ELEVATION GAIN OF 18 IN.).



END SECTION DETAIL (PLAN VIEW)

NOTE:

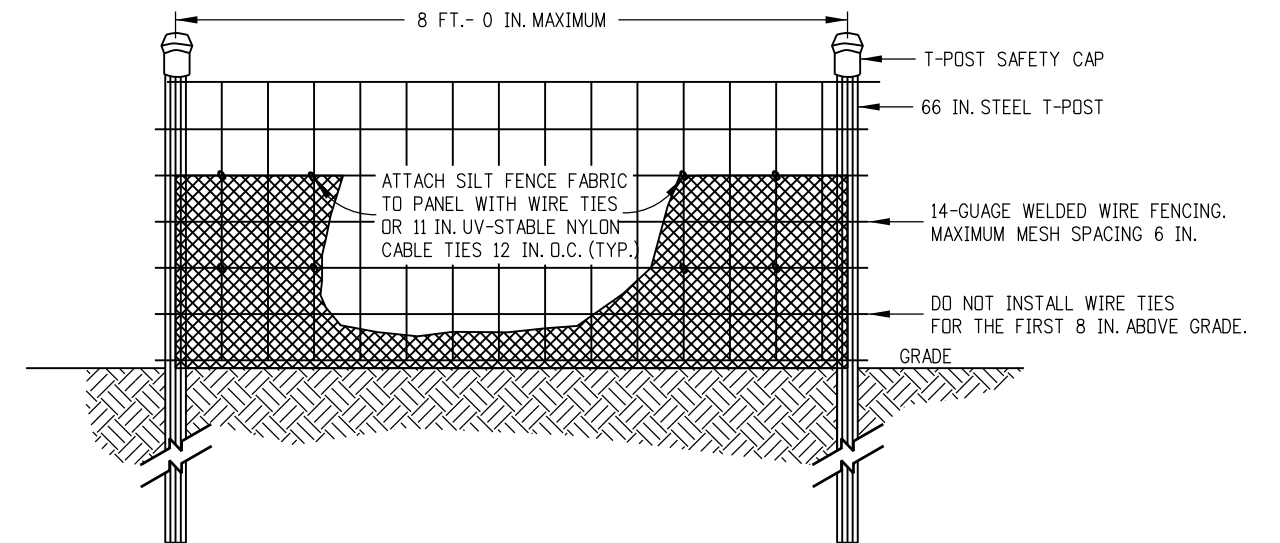
1. THE END OF THE SILT FENCE FABRIC SHALL BE WRAPPED APPROX. 6 INCHES AROUND A WOODEN POST ONE FULL TURN, THEN SECURED ALONG THE POST WITH 6 HEAVY DUTY WIRE STAPLES AT LEAST 1 INCH LONG.



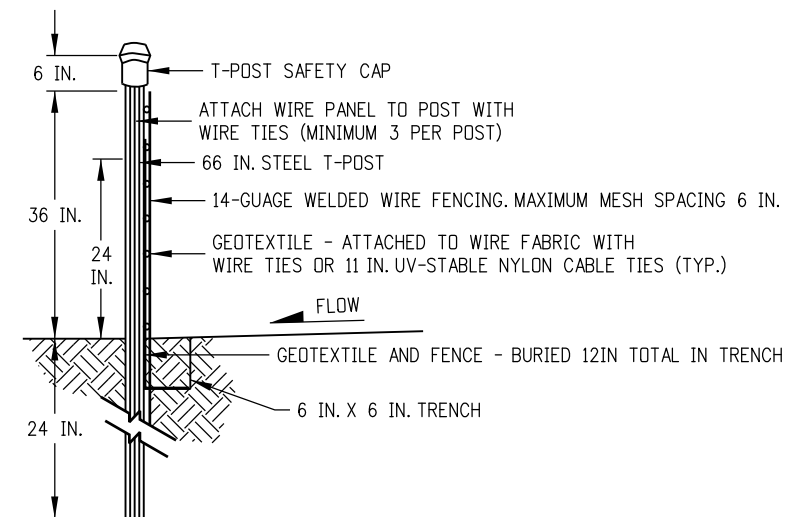
JOINING SECTION DETAIL (PLAN VIEW)

NOTES:

1. THE ENDS OF THE SILT FENCE FABRIC SHALL BE JOINED TOGETHER BY WRAPPING APPROX. 6 INCHES OF EACH END AROUND A WOODEN POST ONE FULL TURN, THEN SECURED ALONG THE POST WITH 6 HEAVY DUTY WIRE STAPLES AT LEAST 1 INCH LONG.
2. POSTS SHALL BE TIGHTLY ABUTTED WITH NO GAPS TO PREVENT POTENTIAL FLOW-THROUGH OF SEDIMENT AT JOINT.



ELEVATION VIEW



SIDE VIEW

NOTES:

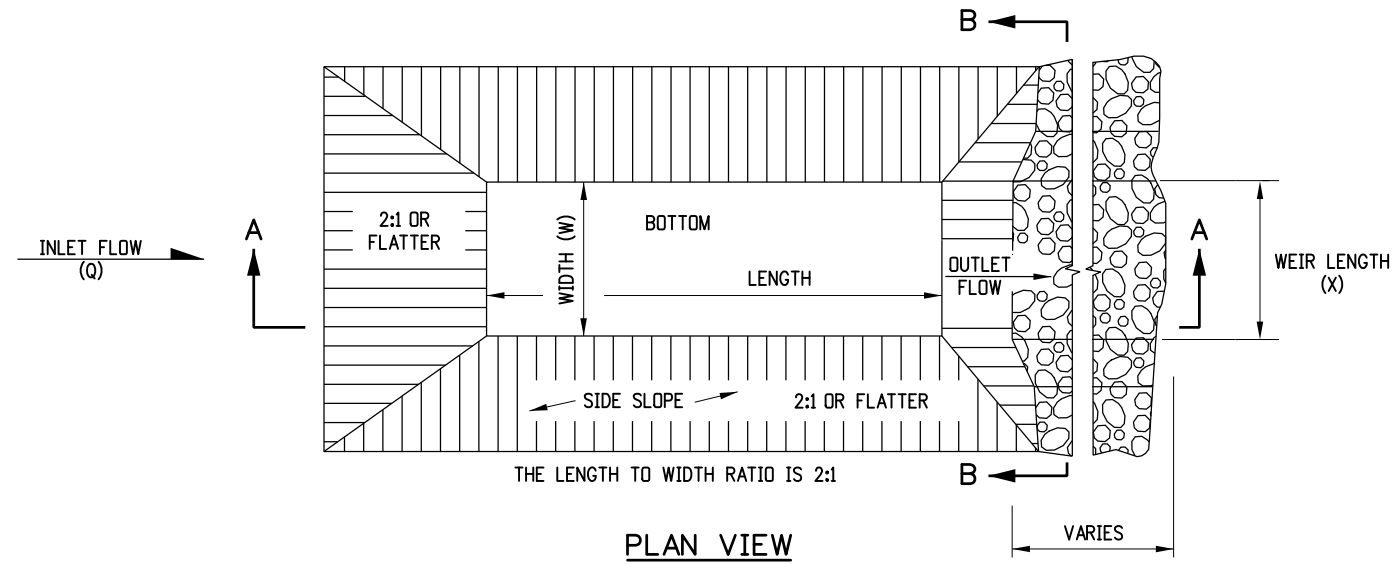
1. THE ENDS OF THE SILT FENCE FABRIC SHALL BE JOINED TOGETHER BY WRAPPING APPROX. 6 INCHES OF EACH END AROUND A STEEL T-POST, THEN SECURED ALONG THE POST WITH WIRE TIES (MINIMUM 3 PER POST).
2. POSTS SHALL BE TIGHTLY ABUTTED WITH NO GAPS TO PREVENT POTENTIAL FLOW-THROUGH OF SEDIMENT AT JOINT.
3. SILT FENCES SHALL NOT BE USED FOR CHECK DAMS.
4. THE PAY ITEM NUMBER FOR SILT FENCE (REINFORCED) (LF) IS 208-00021.

**SILT FENCE (REINFORCED)**

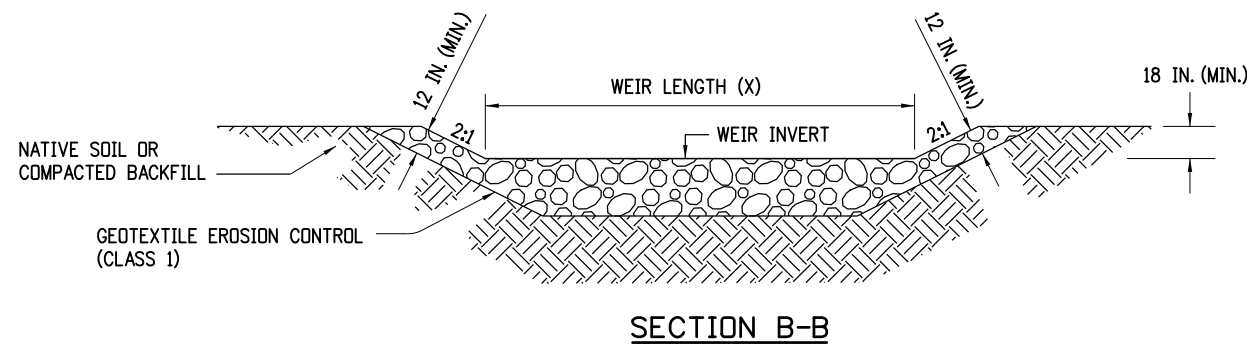
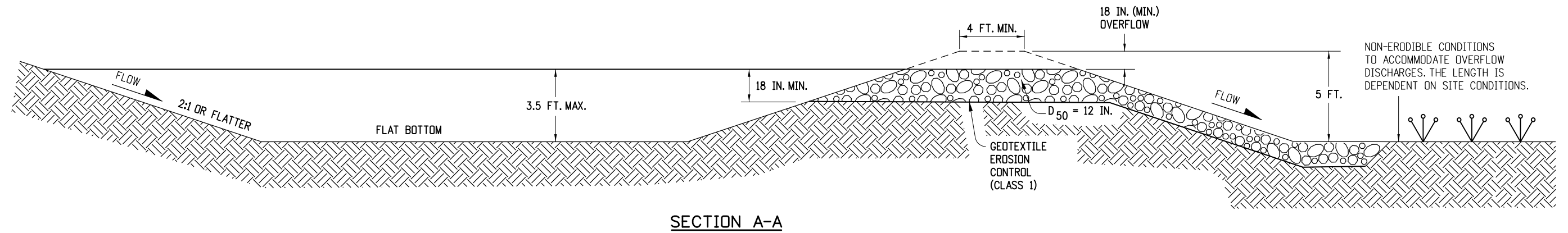
**SILT FENCE APPLICATIONS**

<b>Computer File Information</b>		<b>Sheet Revisions</b>		Colorado Department of Transportation 2829 West Howard Place CDDT HQ, 3rd Floor Denver, CO 80204 Phone: 303-757-9021 FAX: 303-757-9868 <b>Project Development Branch</b>	<b>TEMPORARY EROSION CONTROL</b>	<b>STANDARD PLAN NO.</b>	
Creation Date: 07/31/19		Date:	Comments			M-208-1	
Designer Initials: JBK	(R-X)					Standard Sheet No. 8 of 11	
Last Modification Date: 07/31/19	(R-X)					Project Sheet Number:	
Detailer Initials: LTA	(R-X)						
CAD Ver.: MicroStation V8 Scale: Not to Scale Units: English		(R-X)		Issued by the Project Development Branch: July 31, 2019			





- NOTES**
1. THE MAXIMUM DRAINAGE AREA IS 5 ACRES.
  2. THE MAXIMUM STRUCTURE LIFE IS 2 YEARS.
  3. THE STORAGE AREA IS 1800 CUBIC FEET PER ACRE.
  4. THE MAXIMUM EMBANKMENT HEIGHT SHALL BE 5 FT. MEASURED ON THE DOWNSTREAM SIDE.
  5. THE LENGTH/WIDTH RATIO MAY BE ADJUSTED TO MEET SITE CONDITIONS WHEN APPROVED BY THE ENGINEER.
  6. WIDTH (W) OF SEDIMENT TRAP IS APPROXIMATELY EQUAL TO THE WEIR LENGTH (X).
  7. SEDIMENT TRAP DESIGN SHALL BE APPROVED BY THE ENGINEER.
  8. THE DOWN GRADE FROM WEIR SHALL BE STABLE AND NON-ERODIBLE.
  9. THE PAY ITEM NUMBER FOR SEDIMENT TRAP (LF) IS 208-00033.



DRAINAGE AREA (ACRES)	WEIR LENGTH (FEET)
1	4
2	6
3	8
4	10
5	12

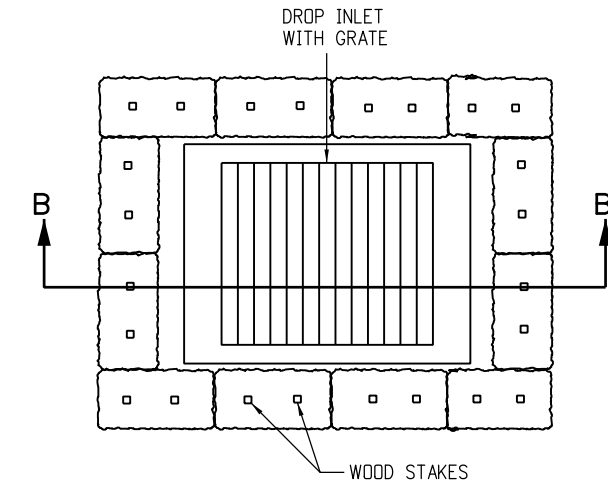
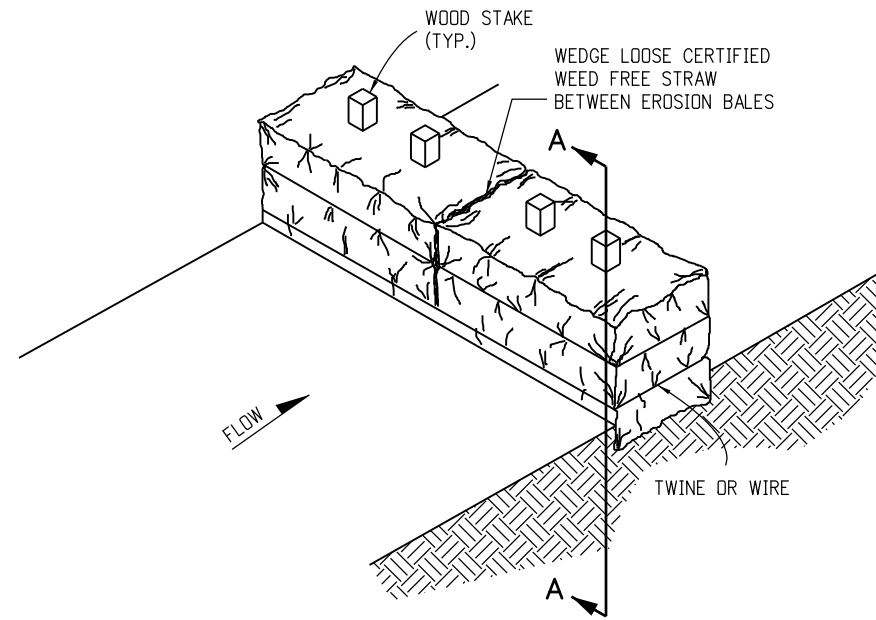
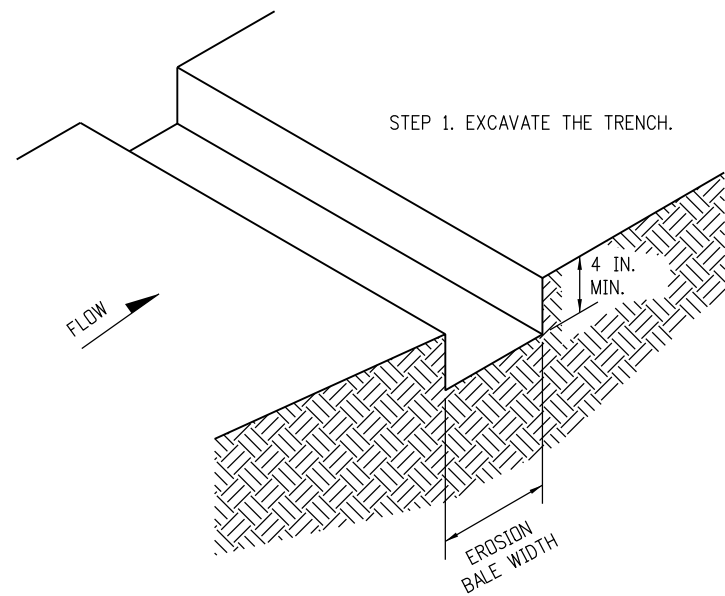
**WEIR LENGTH TABLE**

**SEDIMENT TRAP**

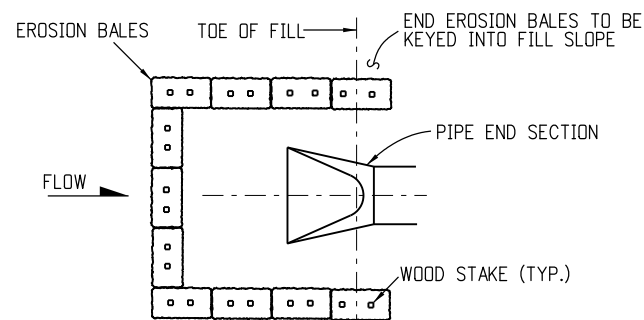
<b>Computer File Information</b>		<b>Sheet Revisions</b>		<b>Colorado Department of Transportation</b>		<b>TEMPORARY EROSION CONTROL</b>		<b>STANDARD PLAN NO.</b>	
Creation Date: 07/31/19		Date:                      Comments		2829 West Howard Place				M-208-1	
Designer Initials: JBK		(R-X)		CDOT HQ, 3rd Floor		<b>Standard Sheet No. 9 of 11</b>		Project Sheet Number:	
Last Modification Date: 07/31/19		(R-X)		Denver, CO 80204					
Detailer Initials: LTA		(R-X)		Phone: 303-757-9021 FAX: 303-757-9868		Issued by the Project Development Branch: July 31, 2019			
CAD Ver.: MicroStation V8 Scale: Not to Scale Units: English		(R-X)		<b>Project Development Branch</b> <b>JBK</b>					

**NOTES**

1. STAKES SHALL BE WOOD AND SHALL BE 2 IN. X 2 IN. X 30 IN. NOMINAL.
2. EROSION BALES SHALL BE 18 IN. X 18 IN. X 36 IN.
3. EROSION BALES SHALL BE ENTRENCHED 4 IN. MINIMUM INTO THE SOIL, TIGHTLY ABUTTED WITH NO GAPS, STAKED, AND BACKFILLED AROUND THE ENTIRE OUTSIDE PERIMETER.
4. EROSION BALES CANNOT BE USED FOR CHECK DAMS.
5. EROSION BALE FILTER SHALL BE LOWER THAN BERM ELEVATION OR USED IN A SUMP CONDITION.
6. THE PAY ITEM NUMBER FOR EROSION BALES (WEED FREE) (EA) IS 208-00011.

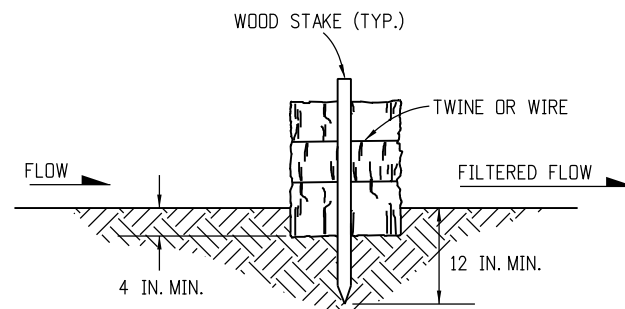


**PLAN VIEW**



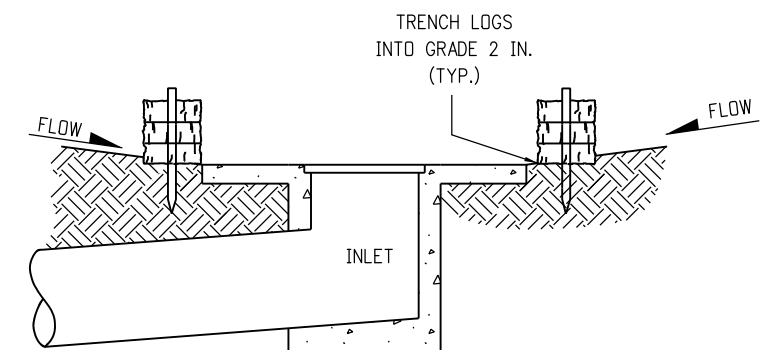
**PLAN VIEW**

**EROSION BALE CULVERT INLET PROTECTION**



**SECTION A-A**

**EROSION BALE TRENCHING AND STAKING**



**SECTION B-B**

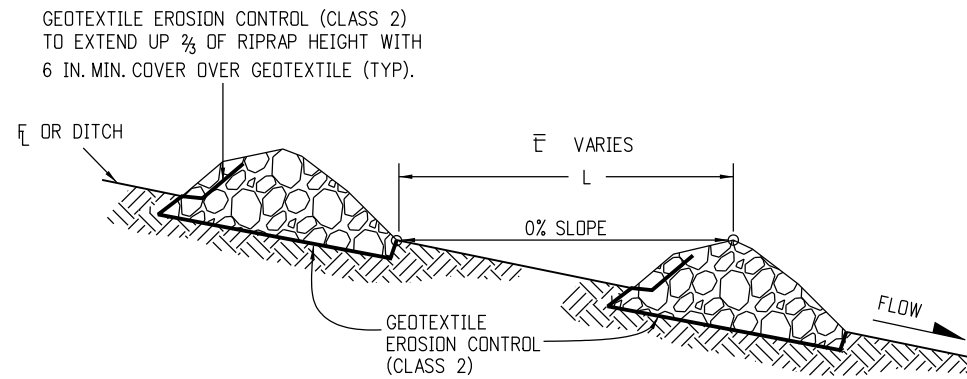
NOTE: LOCATE EROSION BALES AT THE OUTSIDE EDGE OF THE CONCRETE APRON.

**EROSION LOG FILTER AT DROP INLET**

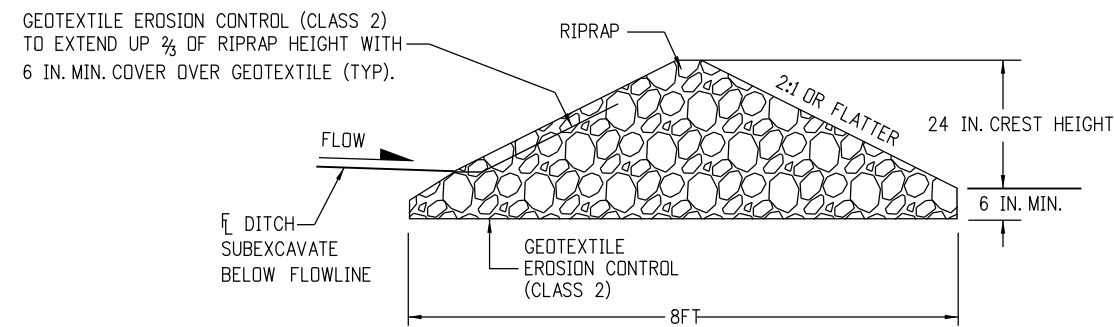
**EROSION BALE APPLICATIONS**

<b>Computer File Information</b>		<b>Sheet Revisions</b>		<b>Colorado Department of Transportation</b> 2829 West Howard Place CDDT HQ, 3rd Floor Denver, CO 80204 Phone: 303-757-9021 FAX: 303-757-9868 <b>Project Development Branch</b>	<b>TEMPORARY EROSION CONTROL</b>	<b>STANDARD PLAN NO.</b>	
Creation Date: 07/31/19		Date:	Comments			M-208-1	
Designer Initials: JBK		(R-X)				Standard Sheet No. 10 of 11	
Last Modification Date: 07/31/19		(R-X)					
Detailer Initials: LTA		(R-X)					
CAD Ver.: MicroStation V8 Scale: Not to Scale Units: English		(R-X)		Project Sheet Number:			

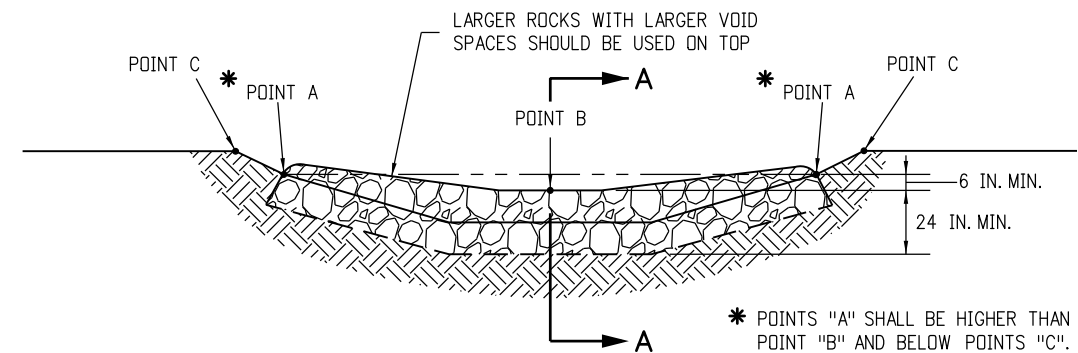
Issued by the Project Development Branch: July 31, 2019



**SECTION VIEW ALONG DITCH FLOWLINE**



**SECTION A-A**



**TYPICAL SECTION VIEW**

**NOTES:**

1. RIPRAP SIZE  $D_{50}$  = 6IN OR AS SHOWN ON THE PLANS.
2. THE GEOTEXTILE EROSION CONTROL SHALL BE CLASS 2 AND CONFORM TO THE REQUIREMENTS OF SUBSECTION 712.08.
3. THE ENDS OF RIPRAP CHECK DAM SHALL BE A MINIMUM OF 6 IN. HIGHER THAN CENTER OF CHECK DAM.
4. FOR USE AS TEMPORARY CHECK DAMS ONLY AND NOT FOR PERMANENT INSTALLATIONS.
5. THE PAY ITEM NUMBER FOR ROCK CHECK DAM (EA) IS 208-00041.

NOTE: ALL MATERIALS AND LABOR TO COMPLETE THE ROCK CHECK DAM SHALL BE INCLUDED IN THE COST OF WORK.

**ROCK CHECK DAM**

<b>Computer File Information</b>		<b>Sheet Revisions</b>		<b>Colorado Department of Transportation</b>  2829 West Howard Place CDDT HQ, 3rd Floor Denver, CO 80204 Phone: 303-757-9021 FAX: 303-757-9868 <b>Project Development Branch</b> <b>JBK</b>	<b>TEMPORARY EROSION CONTROL</b>	<b>STANDARD PLAN NO.</b>	
Creation Date: 07/31/19	(R-X)	Date:	Comments:			M-208-1	
Designer Initials: JBK	(R-X)					Standard Sheet No. 11 of 11	
Last Modification Date: 07/31/19	(R-X)					Project Sheet Number:	
Detailer Initials: LTA	(R-X)					Issued by the Project Development Branch: July 31, 2019	
CAD Ver.: MicroStation V8    Scale: Not to Scale    Units: English	(R-X)						