

Emerald Street

US 287

120th Avenue

Carr Street

Commerce Street

Allison Street

119th Pl.

119th Ave.

Vance St.

120th Ave. Connection

Wadsworth Blvd

Wadsworth Parkway

Destination Drive

Uptown Ave.

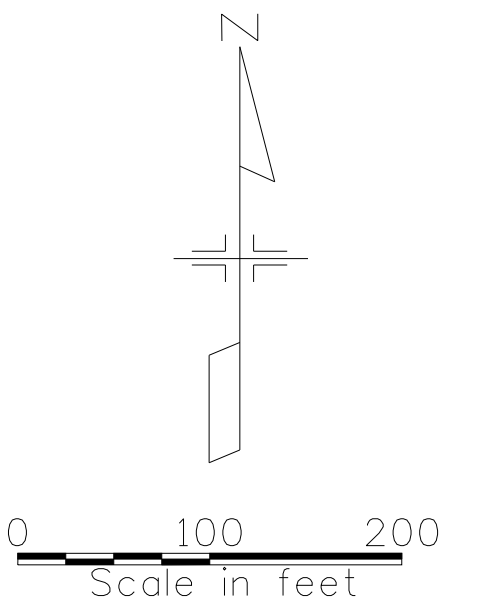
US 36

118th Ave.

BNSF Railroad

Transit Way

116th Ave.



120th Avenue Connection
 Proposed Design
 Preliminary - May 22, 2008

PLANS PREPARED BY
JACOBUS
 Carter Burgess

DOT
 DEPARTMENT OF TRANSPORTATION