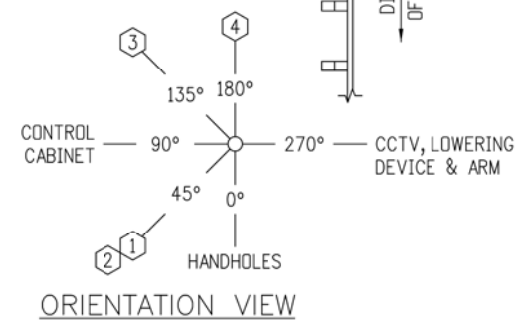
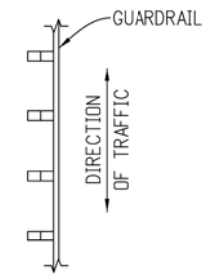


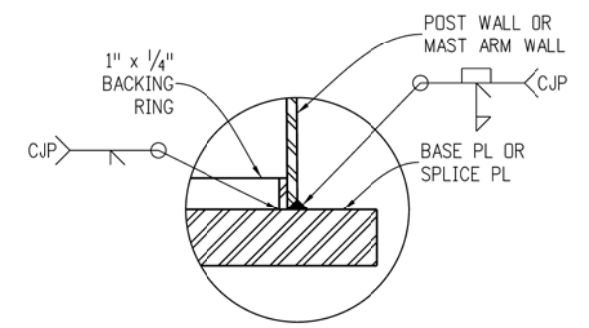
ORIENTATION VIEW

ALL ANGLES MEASURED CLOCKWISE FROM HANDHOLE AS VIEWED FROM SMALL END OF POLE.

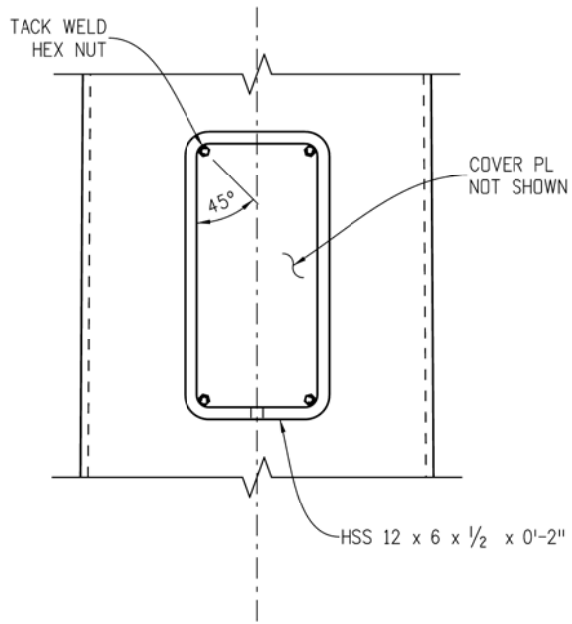
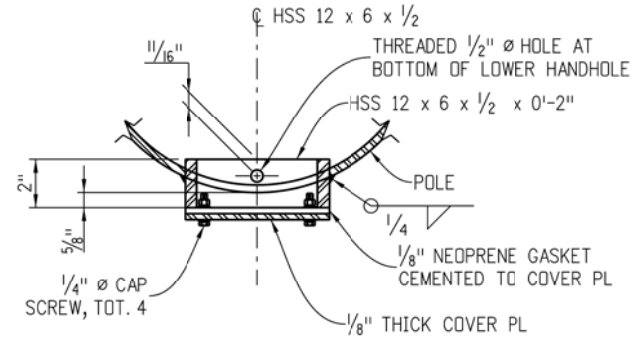


ORIENTATION VIEW

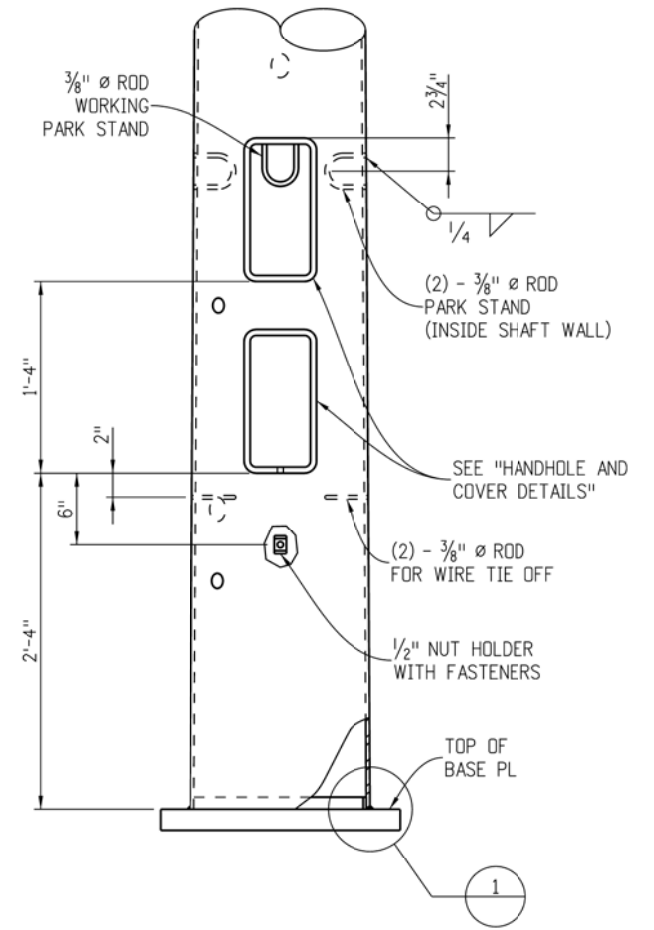
POLE DATA			
POLE HEIGHT (FT)	BASE DIAMETER (IN)	TOP DIAMETER (IN)	WALL THICKNESS (IN)
50'	15.00	8.00	0.3125
60'	19.00	10.60	0.3125
70'	24.00	14.20	0.3750



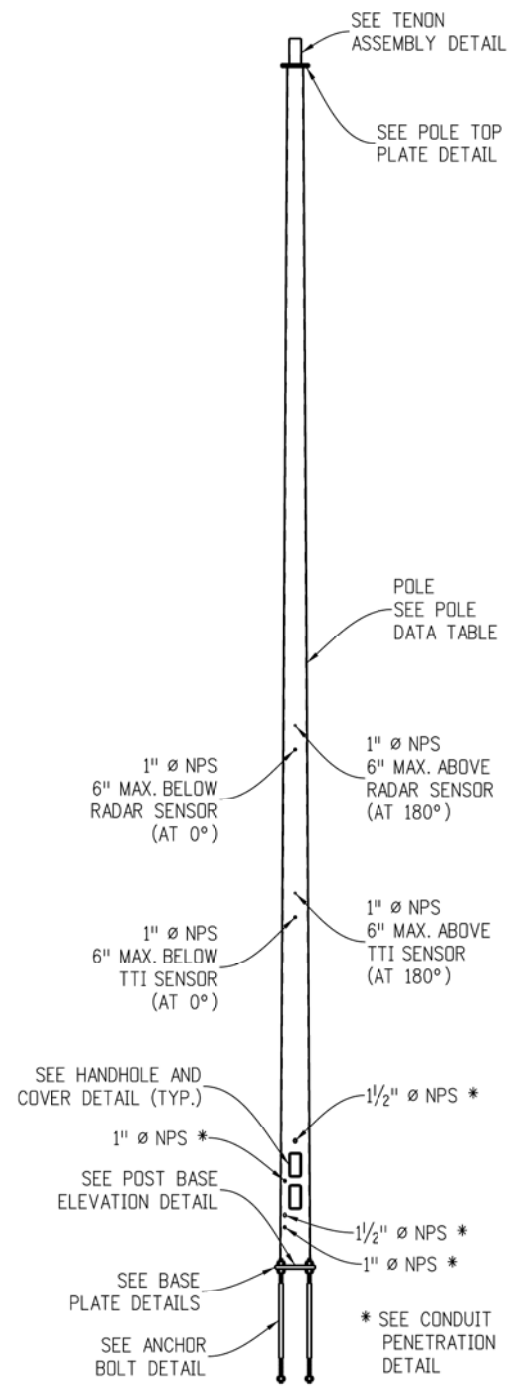
DETAIL 1



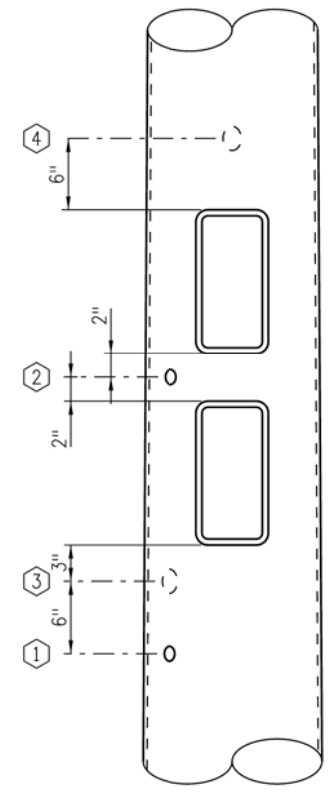
HANDHOLE AND COVER DETAILS



POST BASE ELEVATION



POST ELEVATION



CONDUIT PENETRATION DETAIL

① AND ② 1" Ø NPS
③ AND ④ 1 1/2" Ø NPS
PLUG ALL THREADED PENETRATIONS WITH RECESSED PLUGS

Print Date: 9/26/2012	(R-X) ○ ○ ○	Sheet Revisions			Colorado Department of Transportation 425 C Corporate Circle Golden, CO 80401 Phone: 303-512-5801 FAX: 303-512-5878 HQ ITS Branch	As Constructed No Revisions: Revised: Void:	CCTV POLE WITH LOWERING DEVICE			Project No./Code Sheet Number
File Name: CCTV_02of4.dgn		Date:	Comments:	Init.			Designer: MDF	Structure Numbers:		
Horiz. Scale: 1:1.00057 Vert. Scale: As Noted							Detailer: JRM			
Unit Information JS							Sheet Subset: ITS	Subset Sheets: 2 of 4		