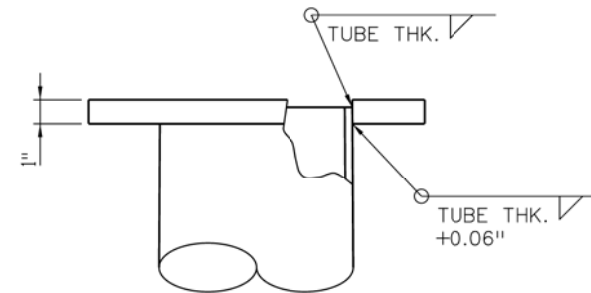
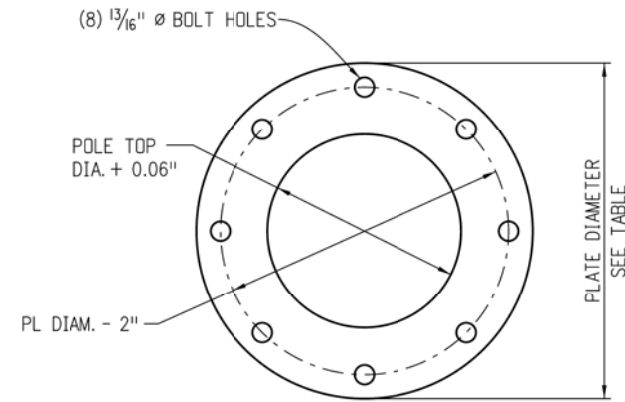
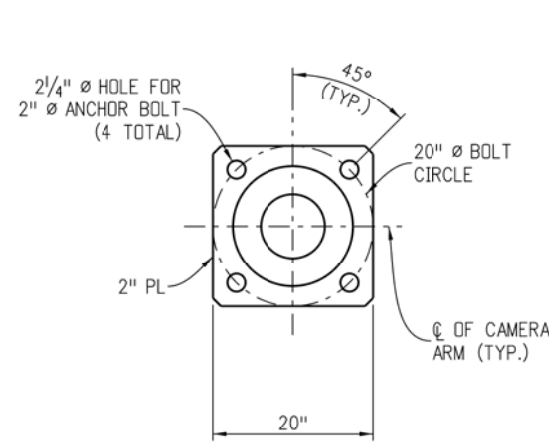
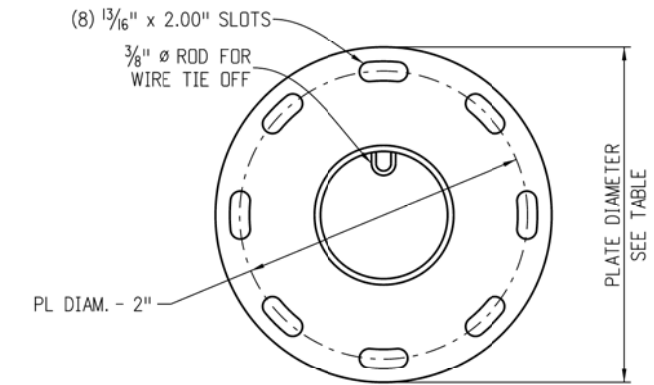


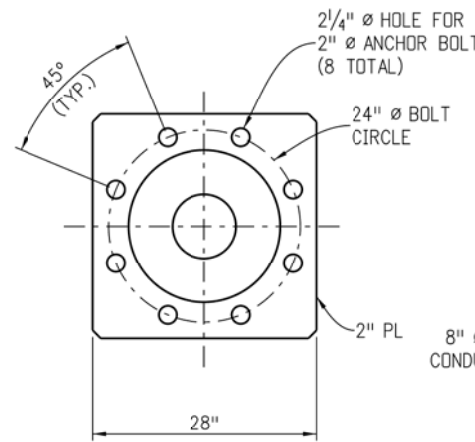
TENON/TOP PLATE	
POLE HEIGHT (FT)	PLATE DIAMETER (IN)
50'	14.00
60'	18.00
70'	22.00



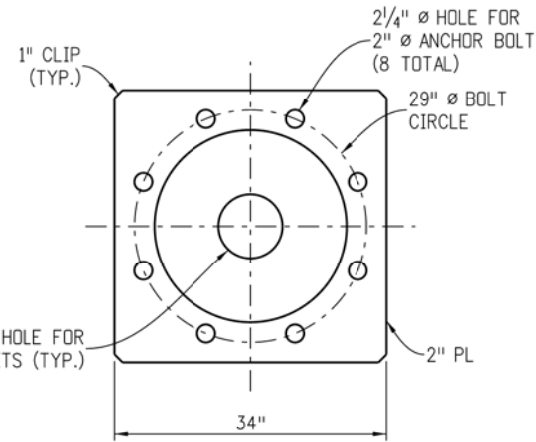
POLE TOP PLATE



50' POLE

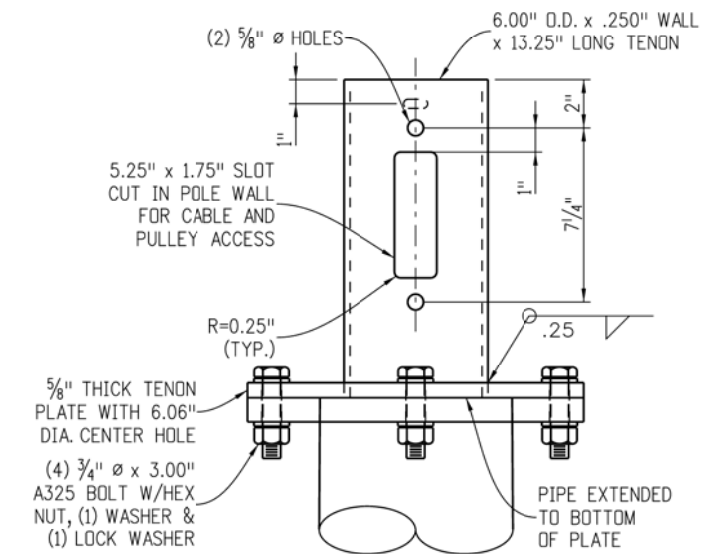


60' POLE



70' POLE

BASE PLATE DETAILS



TENON ASSEMBLY

Print Date: 9/26/2012

File Name: CCTV\_03of4.dgn

Horiz. Scale: 1:1.00019

Vert. Scale: As Noted

Unit Information

JS

Sheet Revisions

Date:	Comments	Init.

Colorado Department of Transportation



425 C Corporate Circle  
Golden, CO 80401  
Phone: 303-512-5801 FAX: 303-512-5878

HQ ITS Branch

JS

As Constructed

No Revisions:

Revised:

Void:

CCTV POLE WITH LOWERING DEVICE

Designer:	MDF	Structure Numbers	
Detailer:	JRM	Subset Sheets:	3 of 4

Project No./Code

Sheet Number