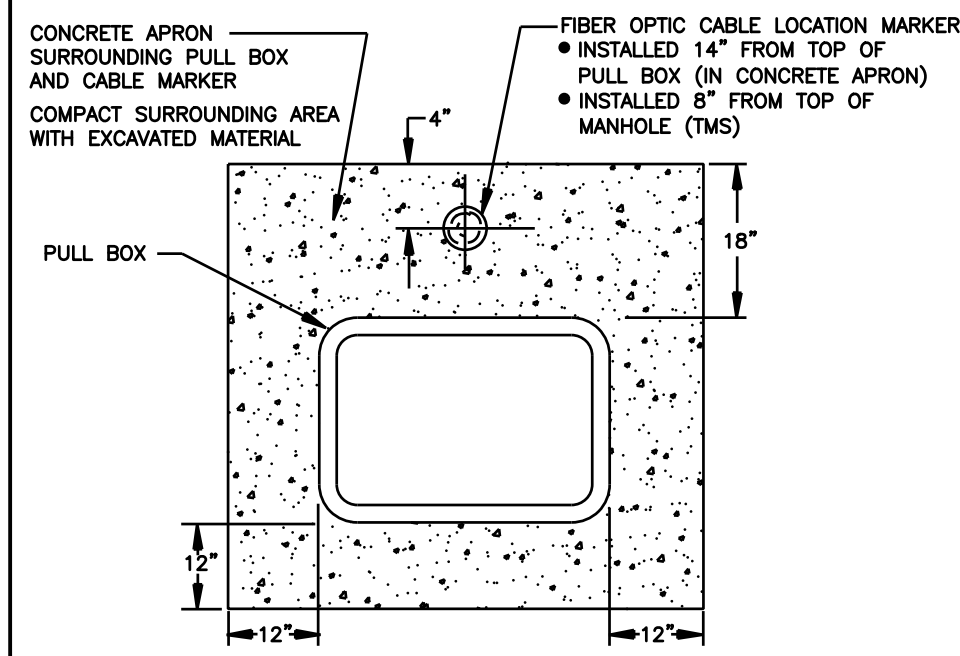


LOCATION MARKER INFORMATION LABELING

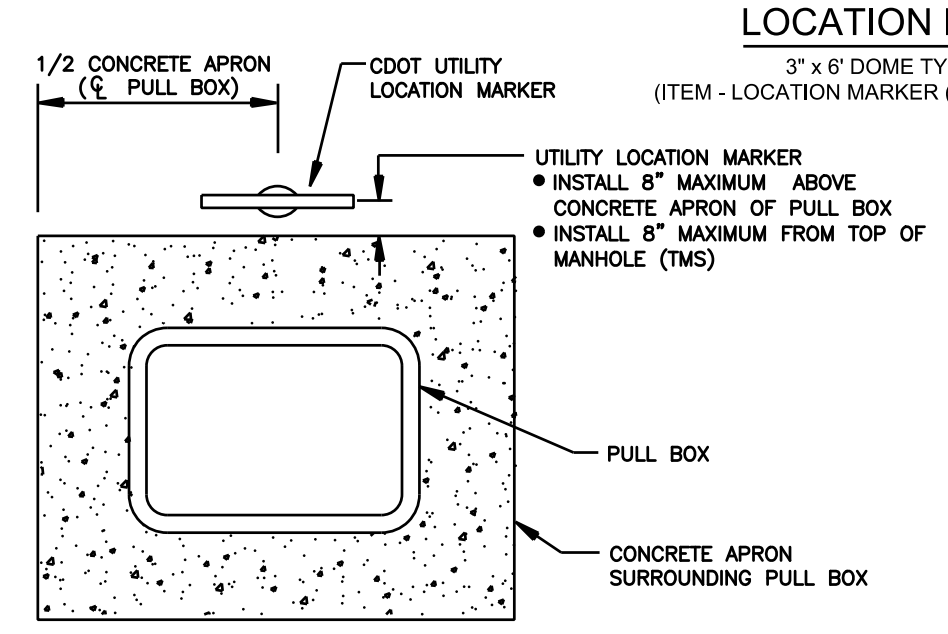
LABEL WITH CDOT CONTACT INFORMATION
 BLACK LETTERING ON ORANGE BACKGROUND

- FOR FIBER OPTIC DOME MARKERS
- FOR CDOT UTILITY FLAT MARKERS

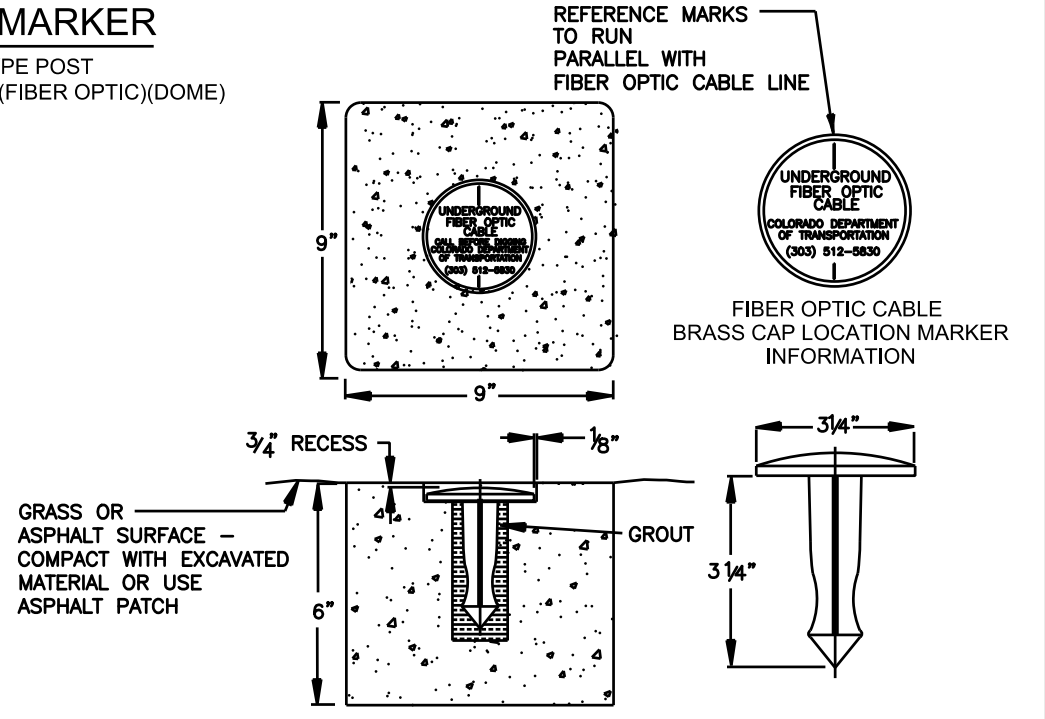
MILE POINT REFERENCE LABEL (5 NUMBERS / 1 DECIMAL POINT)
 MILE POINT DESIGNATION TO BE TO 100TH OF A MILE
 BLACK NUMBERS WITH WHITE BACKGROUND



PULL BOX AND MANHOLE FIBER OPTIC LOCATION MARKER
 3" x 6" DOME TYPE POST
 (ITEM - LOCATION MARKER (FIBER OPTIC)(DOME))



CDOT UTILITY LOCATION MARKER
 3 1/2" X 62" FLAT TYPE POST
 ELECTRICAL POWER RUNNING LINES AND TELEPHONE RUNNING LINES
 ITEM - LOCATION MARKER (UTILITY)(FLAT SLAT)



LANDSCAPE LOCATION MARKER
 BRASS CAP SURVEY MONUMENT USED AS FIBER OPTIC CABLE MARKER WITH CONCRETE FOOTING SUPPORT
 (ITEM - LOCATION MARKER (FIBER OPTIC)(BRASS CAP))

scottjk 4:20:59 PM C:\User Data\ITSprojects\2012\US6_I25_Details\Fiber Marker Sheets.dgn

Print Date: 10/5/2012		Sheet Revisions			Colorado Department of Transportation 425 C Corporate Circle Golden, CO 80401 Phone: 303-512-5801 FAX: 303-512-5878 HQ ITS Branch JKS	As Constructed No Revisions: Revised: Void:	Fiber Optic and Utility Markers Project Standard				Project No./Code BR 0061-083 18838 Sheet Number
File Name: Fiber Marker Sheets.dgn		Date:	Comments:	Init.			Designer: Wjkjr	Structure Numbers: X-XX-XX			
Horiz. Scale: 1:200 Unit Information		Vert. Scale: As Noted Unit Leader Initials					Detailer: Wjkjr	Subset Sheets: X-XX-XX			
					Sheet Subset: ITS	2 of 2					