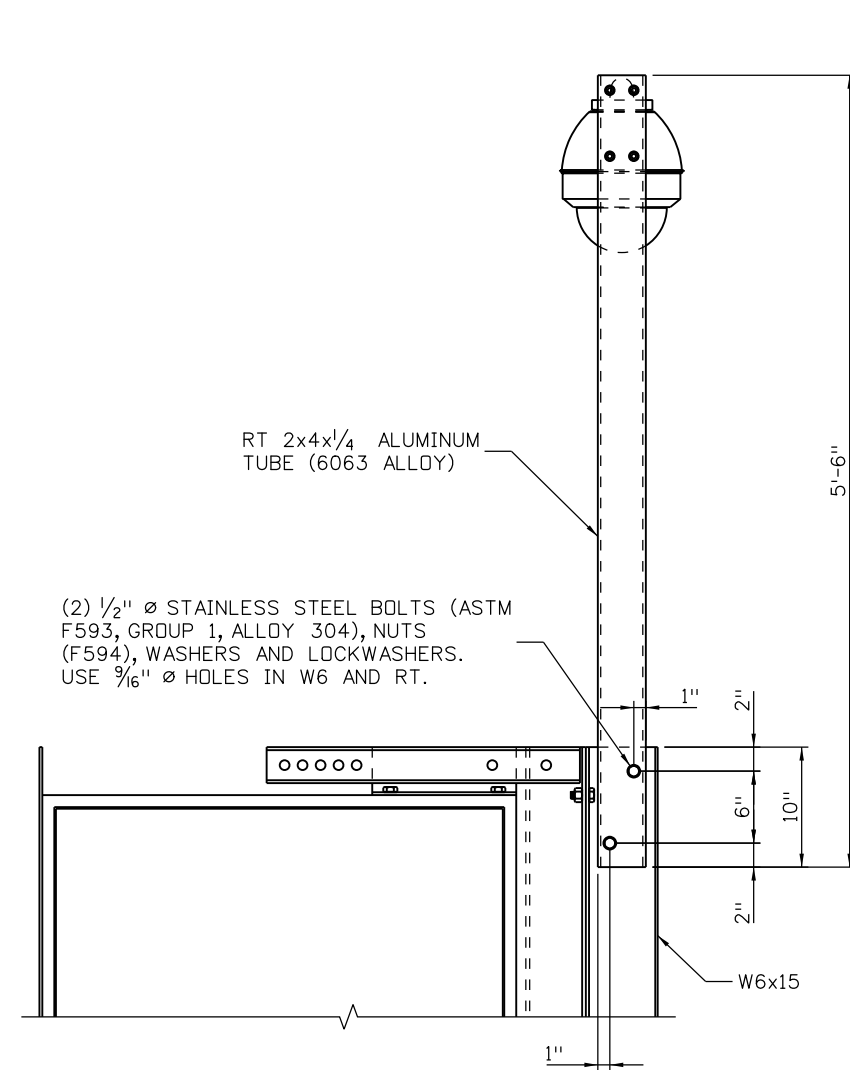
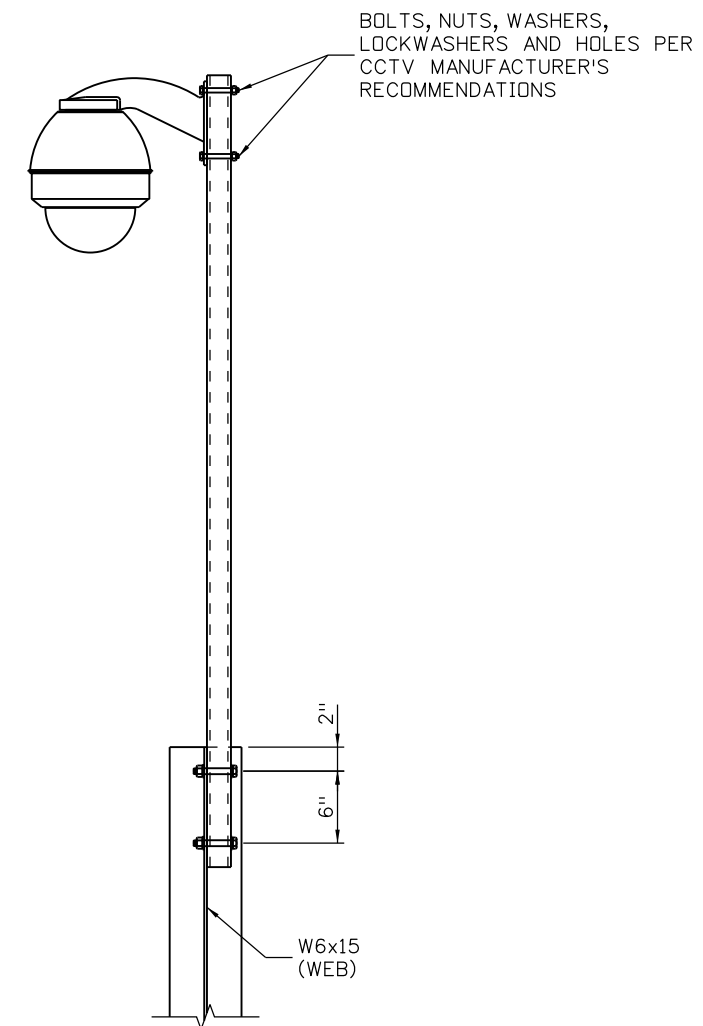


scottjk 12:11:47 PM C:\User Data\ITSprojects2012\US6\_I25\_Details\cctv-details.dgn



**CCTV BRACKET (END VIEW)**  
SCALE: 3/4" = 1'-0"



**CCTV BRACKET (FRONT VIEW)**  
SCALE: 3/4" = 1'-0"

Print Date: 10/5/2012		<b>Sheet Revisions</b>			<b>Colorado Department of Transportation</b>  425 C Corporate Circle Golden, CO 80401 Phone: 303-512-5801 FAX: 303-512-5878 <b>HQ ITS Branch</b>	<b>As Constructed</b>	<b>CCTV VMS EXTENSION ARM</b>			<b>Project No./Code</b>
File Name: cctv-details.dgn		Date:	Comments	Init.		No Revisions:				BR 0061-083
Horiz. Scale: 1:1      Vert. Scale: As Noted						Revised:	Designer: XXXXXXXX	Structure Numbers	X-XX-XX	18838
Unit Information      Unit Leader Initials						Void:	Detailer: XXXXXXXX	Subset Sheets:	X-XX-XX	Sheet Number
					Sheet Subset: XXXXXXXX		2 of 2			