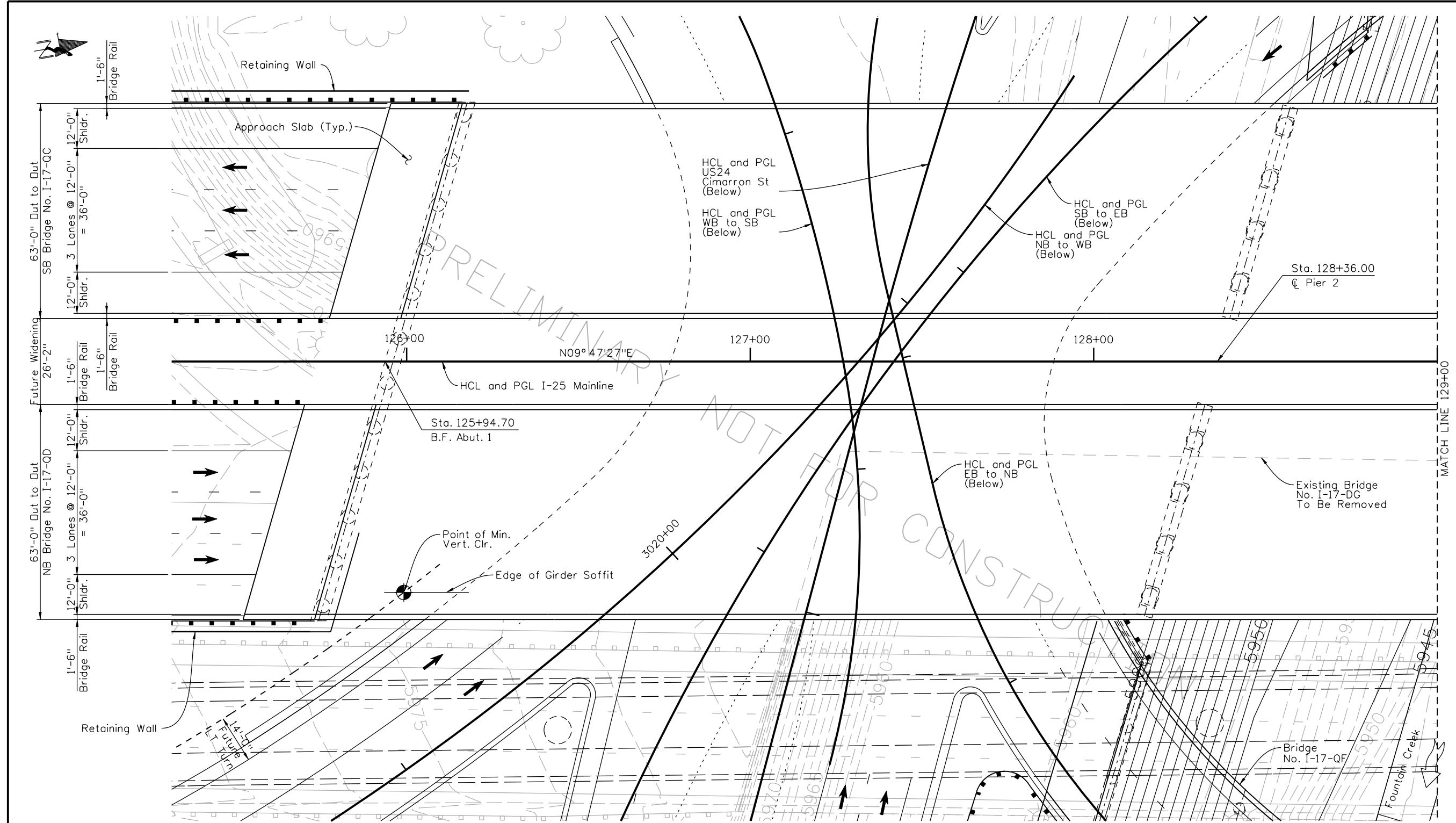



Gattshall 2:24:09 PM c:\wcpw\40109809\19039BrdgI25 Lay\_01.dgn 2/21/2014

Design		Detail		Quantities	
INITIAL	DATE	INITIAL	DATE	INITIAL	DATE



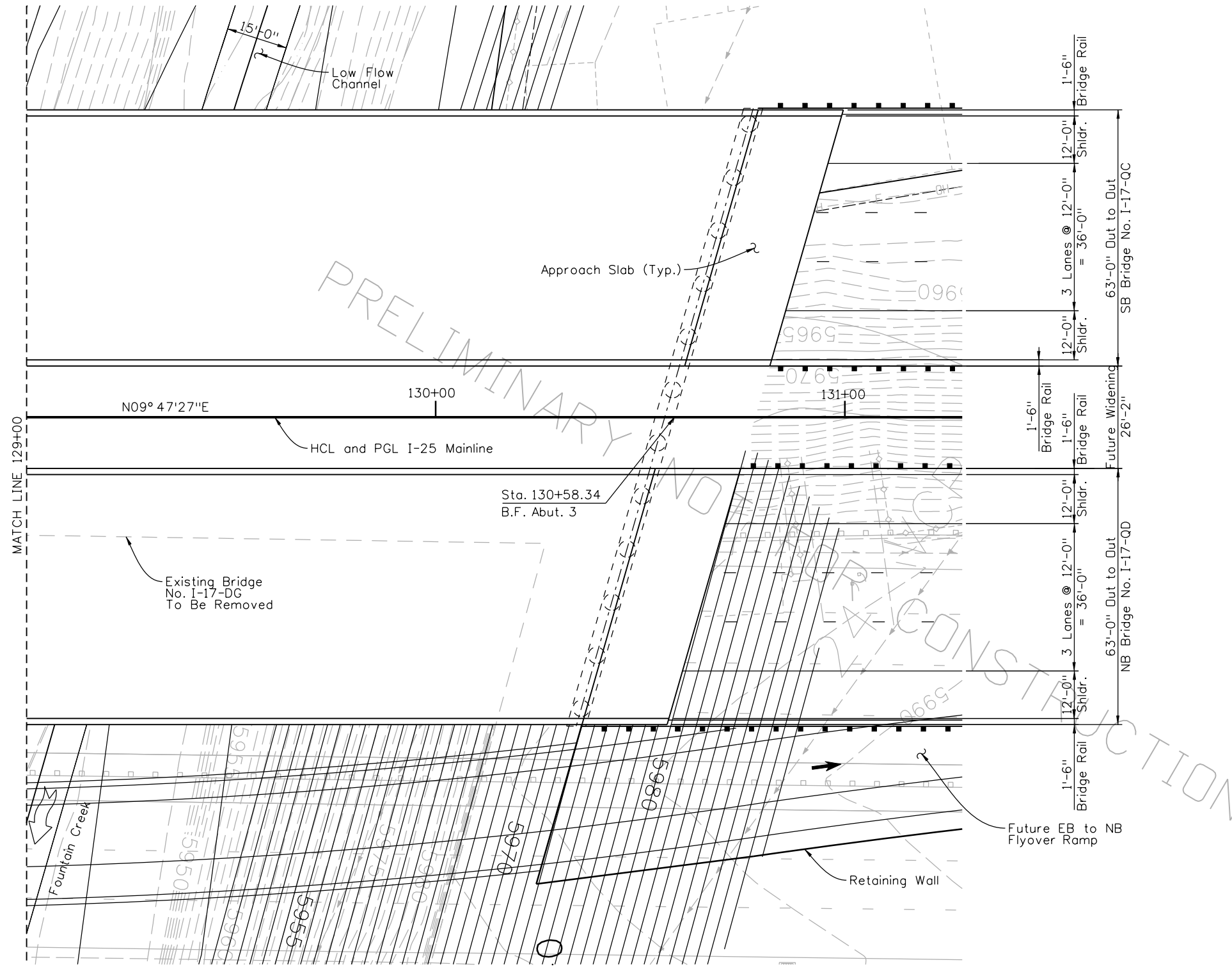
PLAN

Print Date: 2/21/2014		<b>Sheet Revisions</b>			<b>Colorado Department of Transportation</b>		<b>As Constructed</b>		<b>I-25 MAINLINE GENERAL LAYOUT</b>		<b>Project No./Code</b>			
File Name: 19039BrdgI25 Lay_01.dgn		Date:	Comments	Init.	 1480 Quail Lake Loop, Suite A Colorado Springs, CO 80906 Phone: 719-634-2323 FAX: 719-227-3298		No Revisions:		Designer: D. Beck Detailer: D. Gattshall		Structure Numbers: I-17-QC I-17-QD		Sheet Number	
Horiz. Scale:                      Vert. Scale:							Revised:							
Unit Information:                      Unit Leader: DLH							Void:		Sheet Subset: Bridge		Subset Sheets:                      of			
		0000			<b>Region 2</b>		<b>DW</b>							


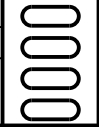
Gattshall 2:27:03 PM c:\wcpw\0109809\19039Brdg\25 Lay\_02.dgn  
2/21/2014

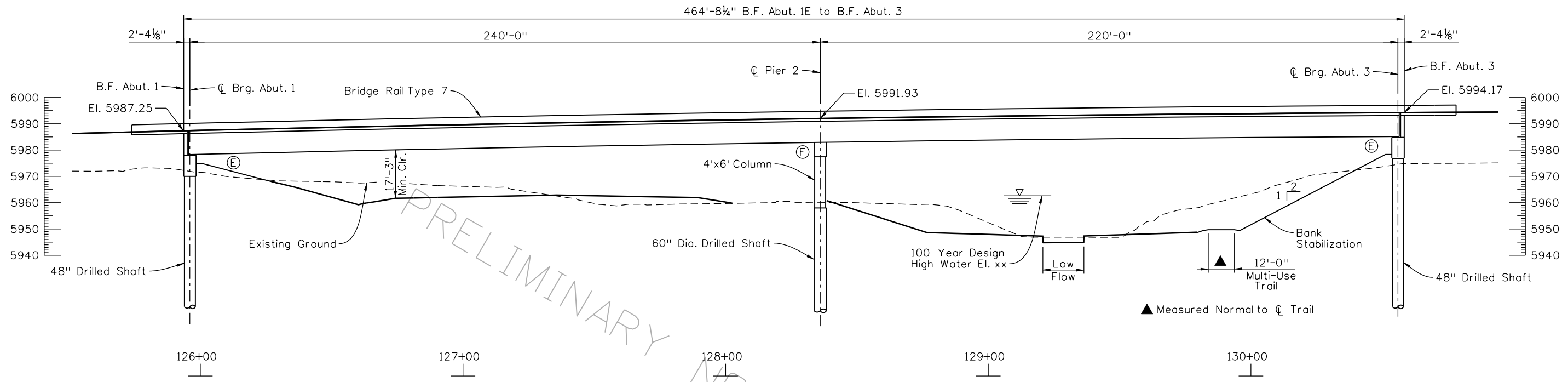
Design		Detail		Quantities	
INITIAL	DATE	INITIAL	DATE	INITIAL	DATE

Revision Dates	

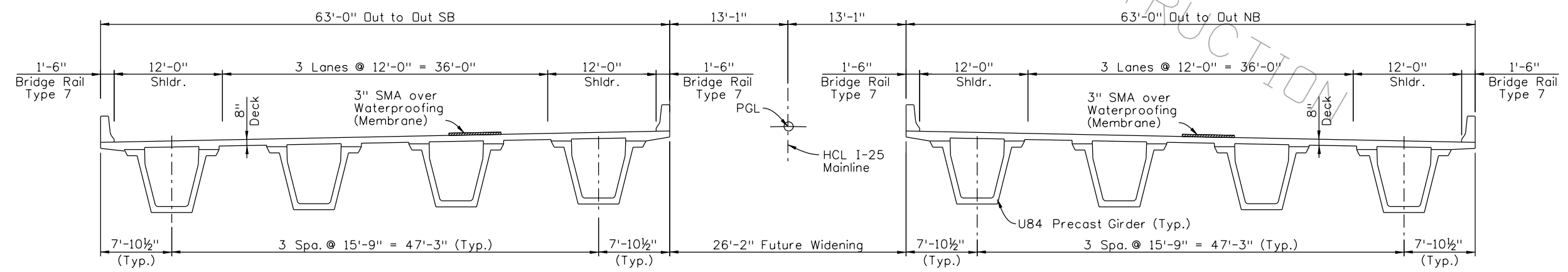


PLAN

Print Date: 2/21/2014	<b>Sheet Revisions</b>			<b>Colorado Department of Transportation</b>  1480 Quail Lake Loop, Suite A Colorado Springs, CO 80906 Phone: 719-634-2323 FAX: 719-227-3298 <b>Region 2</b>	<b>As Constructed</b> No Revisions: Revised: Void:	<b>I-25 MAINLINE GENERAL LAYOUT</b>			Project No./Code  Sheet Number
File Name: 19039Brdg\25 Lay_02.dgn	Date:	Comments:	Init.						
Horiz. Scale:      Vert. Scale:				<b>DW</b>	Sheet Subsets:			of	
Unit Information:      Unit Leader: DLH	0000			Region 2	Subset Sheets:			of	



ELEVATION



TYPICAL SECTION


Revision	Date	Checked By	Initial

Design	Date	Checked By	Initial

Print Date: 2/21/2014
File Name: 19039BrdgI25 Lay_03.dgn
Horiz. Scale:                      Vert. Scale:
Unit Information:                      Unit Leader: DLH

Sheet Revisions		
Date:	Comments	Init.

Colorado Department of Transportation



1480 Quail Lake Loop, Suite A  
 Colorado Springs, CO 80906  
 Phone: 719-634-2323 FAX: 719-227-3298

Region 2                      DW

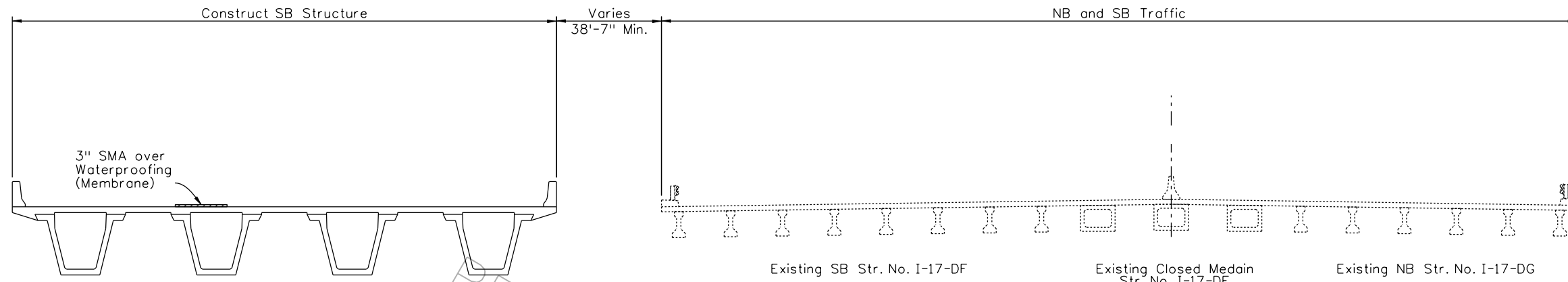
As Constructed
No Revisions:
Revised:
Void:

I-25 MAINLINE GENERAL LAYOUT			
Designer: D. Beck	Structure Numbers	I-17-QC	Sheet Number
Detailer: D. Gattshall	Subset Sheets:	I-17-QD	
Sheet Subset: Bridge	of		

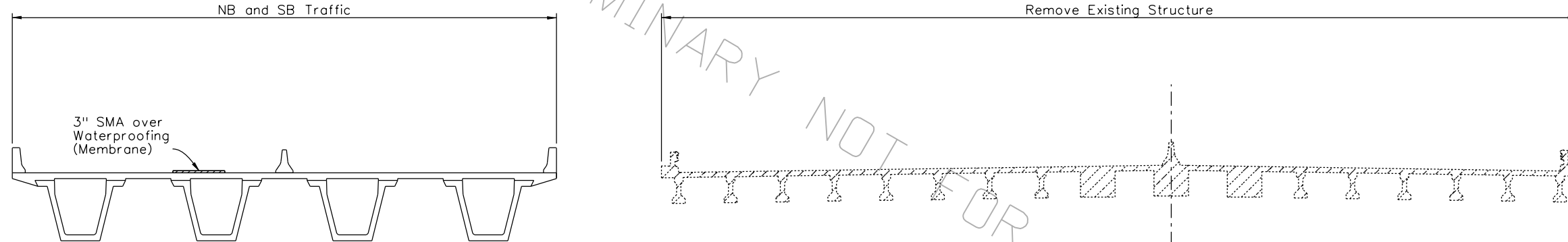
Project No./Code

Gattshall 2:15:41 PM c:\wcpipw\0109809\19039BrdgI25 Lay\_03.dgn 2/21/2014

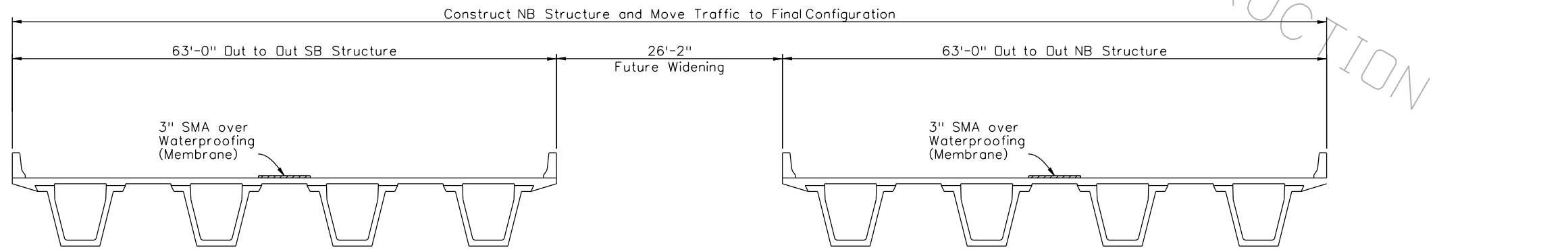
Revision Dates (Preliminary Stage Only)		Quantities	
		INITIAL	DATE



**PHASE 1 CONSTRUCTION**



**PHASE 2 CONSTRUCTION**

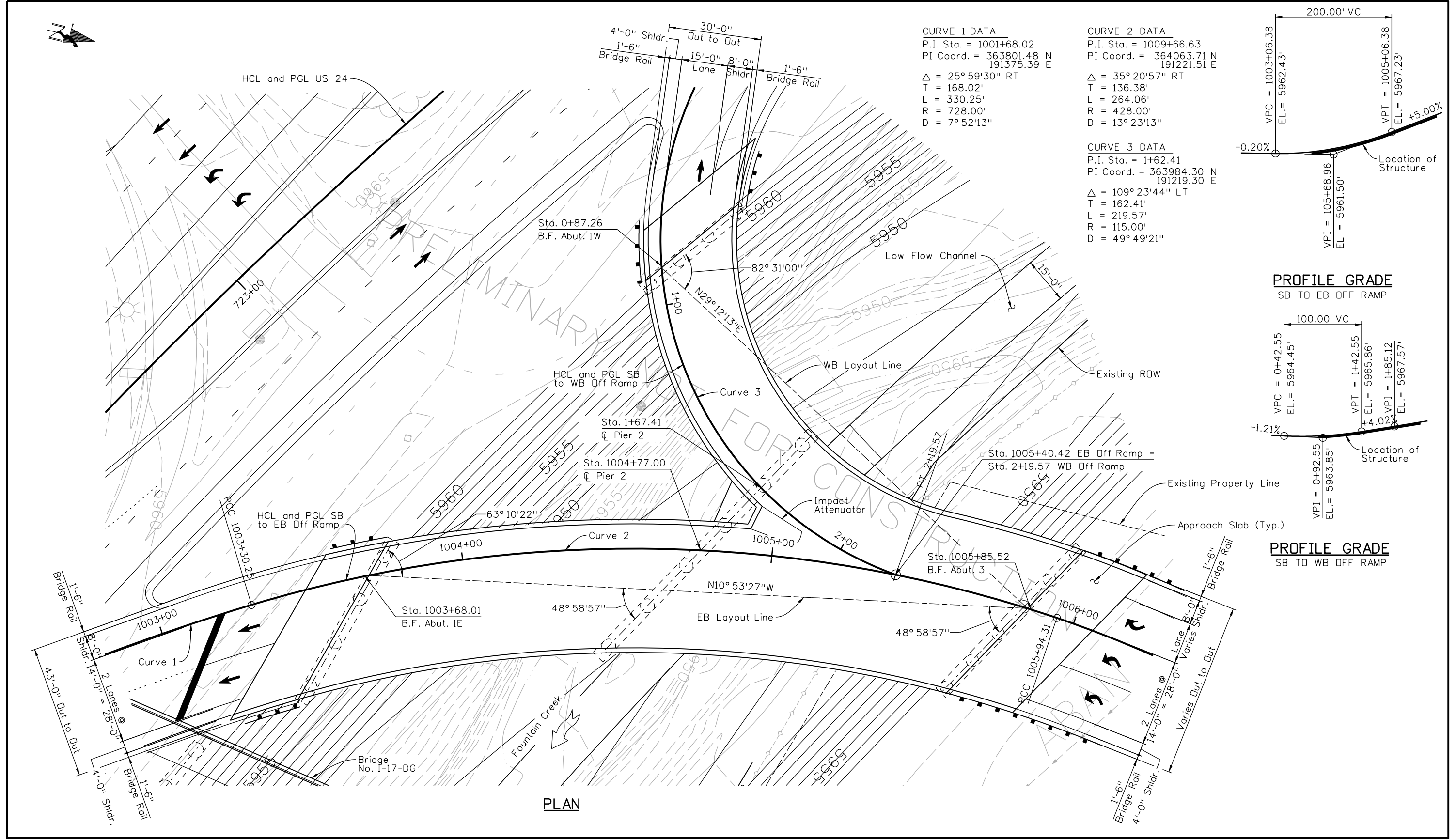


**PHASE 3 CONSTRUCTION**

Print Date: 2/21/2014		<b>Sheet Revisions</b>			Colorado Department of Transportation		<b>As Constructed</b>		<b>I-25 MAINLINE COUNSTRUCTION PHASING</b>			Project No./Code	
File Name: 19039BrdgI25 Pha_01.dgn		Date:	Comments	Init.	1480 Quail Lake Loop, Suite A Colorado Springs, CO 80906 Phone: 719-634-2323 FAX: 719-227-3298 <b>Region 2</b> <span style="float: right;"><b>DW</b></span>		No Revisions:					Designer: D. Beck    Structure I-17-QC Detailer: D. Gattshall    Numbers I-17-QD Sheet Subset: Bridge    Subset Sheets: of	
Horiz. Scale:    Vert. Scale:							Revised:						
Unit Information:    Unit Leader: DLH							Void:						

Gattshall 2:31:09 PM c:\wcpw\0109809\19039BrdgSB Off Lay\_01.dgn 2/21/2014

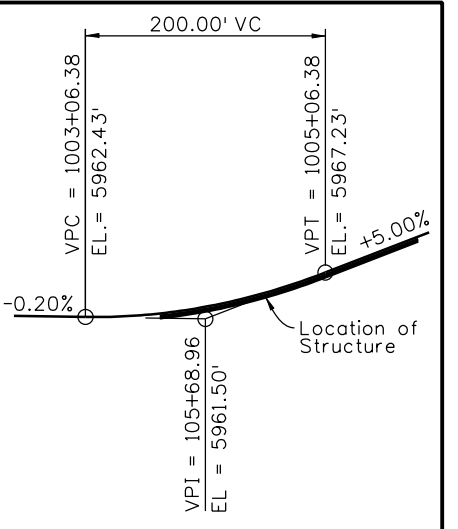
Design		Detail		Quantities	
INITIAL	DATE	INITIAL	DATE	INITIAL	DATE



**CURVE 1 DATA**  
 P.I. Sta. = 1001+68.02  
 PI Coord. = 363801.48 N  
 191375.39 E  
 $\Delta = 25^\circ 59' 30''$  RT  
 T = 168.02'  
 L = 330.25'  
 R = 728.00'  
 D =  $7^\circ 52' 13''$

**CURVE 2 DATA**  
 P.I. Sta. = 1009+66.63  
 PI Coord. = 364063.71 N  
 191221.51 E  
 $\Delta = 35^\circ 20' 57''$  RT  
 T = 136.38'  
 L = 264.06'  
 R = 428.00'  
 D =  $13^\circ 23' 13''$

**CURVE 3 DATA**  
 P.I. Sta. = 1+62.41  
 PI Coord. = 363984.30 N  
 191219.30 E  
 $\Delta = 109^\circ 23' 44''$  LT  
 T = 162.41'  
 L = 219.57'  
 R = 115.00'  
 D =  $49^\circ 49' 21''$



PLAN

Print Date: 2/21/2014  
 File Name: 19039BrdgSB Off Lay\_01.dgn  
 Horiz. Scale:                      Vert. Scale:  
 Unit Information:                      Unit Leader: DLH

Sheet Revisions		
Date:	Comments	Init.

Colorado Department of Transportation  
  
 1480 Quail Lake Loop, Suite A  
 Colorado Springs, CO 80906  
 Phone: 719-634-2323 FAX: 719-227-3298  
 Region 2                      DW

As Constructed
No Revisions:
Revised:
Void:

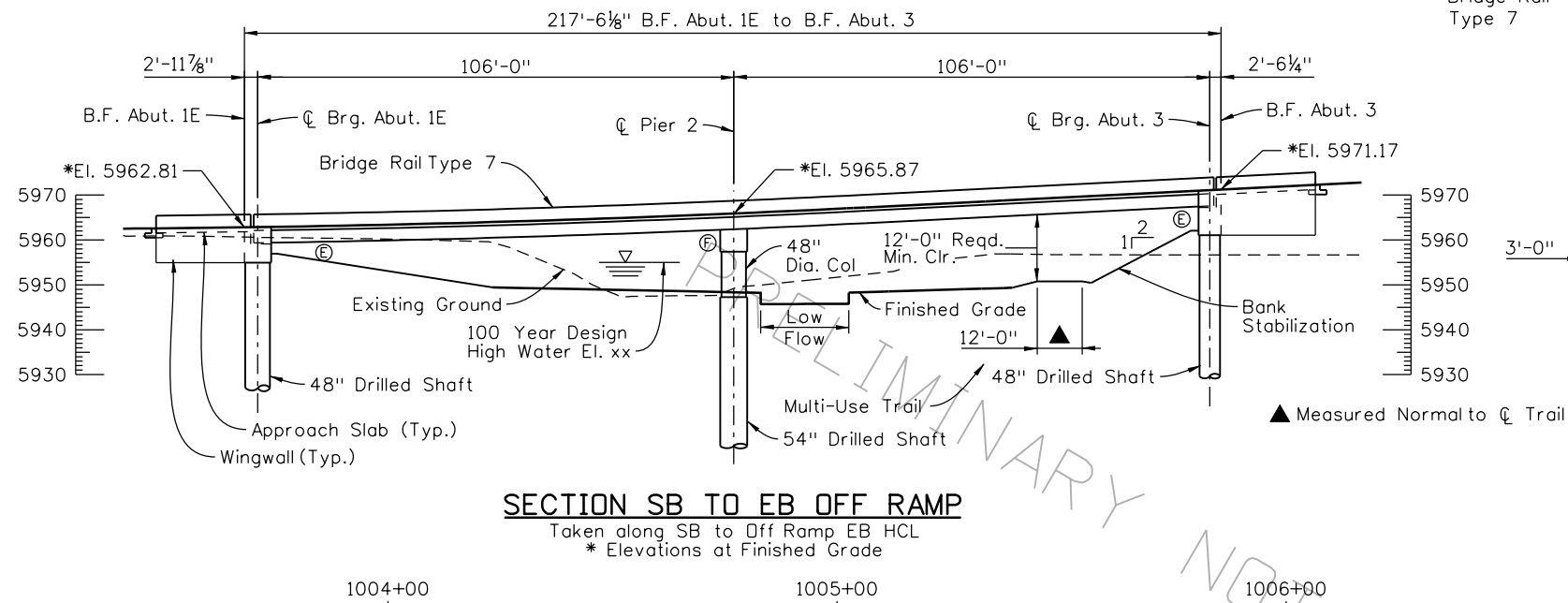
I-25 SB OFF RAMP GENERAL LAYOUT			
Designer: D. Beck	Structure Numbers	I-17-QE	
Detailer: D. Gattshall	Subset Sheets:	of	
Sheet Subset: Bridge			

Project No./Code
Sheet Number

Gattshall 2/16:33 PM c:\wcbpw\0109809\19039BrdgSB Off Lay\_02.dgn 2/21/2014

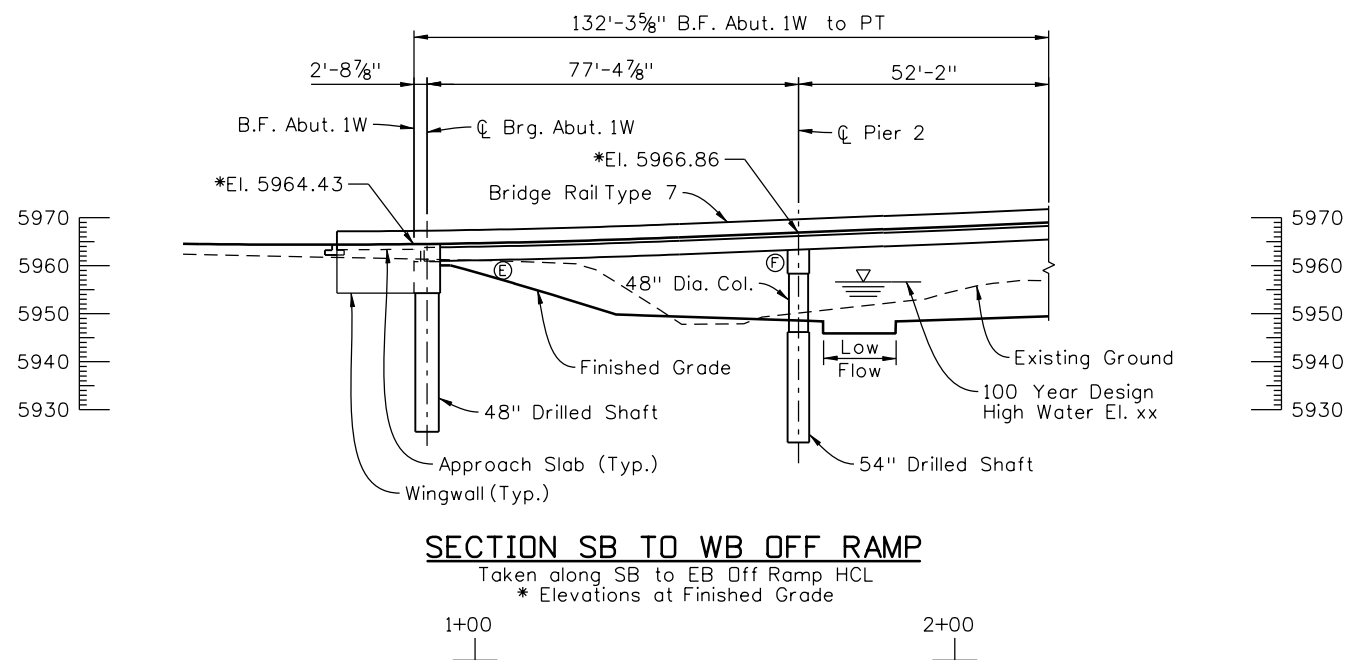
Revision	Date	By	Checked By

Design	Initial	Date	By	Checked By



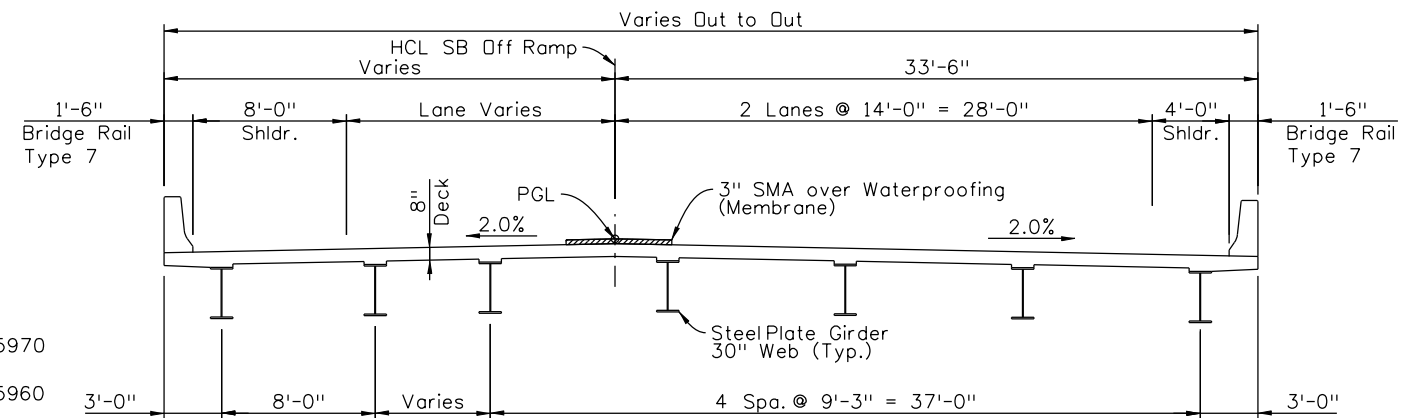
**SECTION SB TO EB OFF RAMP**

Taken along SB to Off Ramp EB HCL  
\* Elevations at Finished Grade



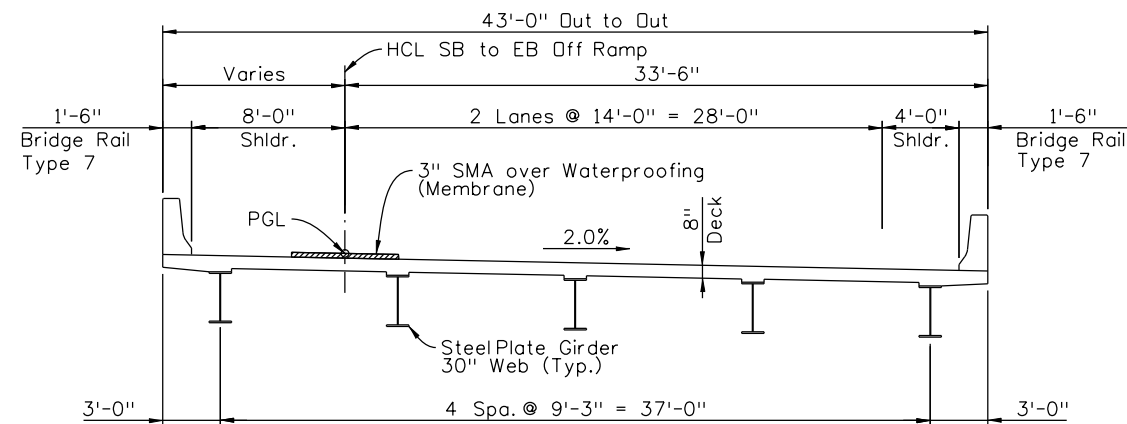
**SECTION SB TO WB OFF RAMP**

Taken along SB to EB Off Ramp HCL  
\* Elevations at Finished Grade



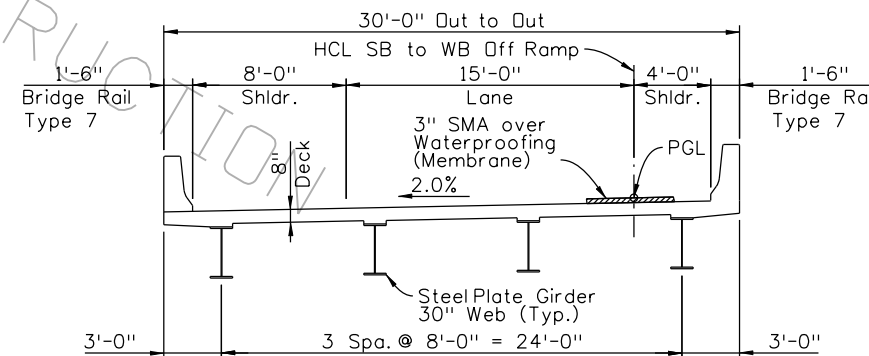
**TYPICAL SECTION**

SB Off Ramp



**TYPICAL SECTION**

SB to EB Off Ramp



**TYPICAL SECTION**

SB to WB Off Ramp

Print Date: 2/21/2014	<b>0000</b>
File Name: 19039BrdgSB Off Lay_02.dgn	
Horiz. Scale:                      Vert. Scale:	
Unit Information:                      Unit Leader: DLH	

Sheet Revisions		
Date:	Comments	Init.

Colorado Department of Transportation



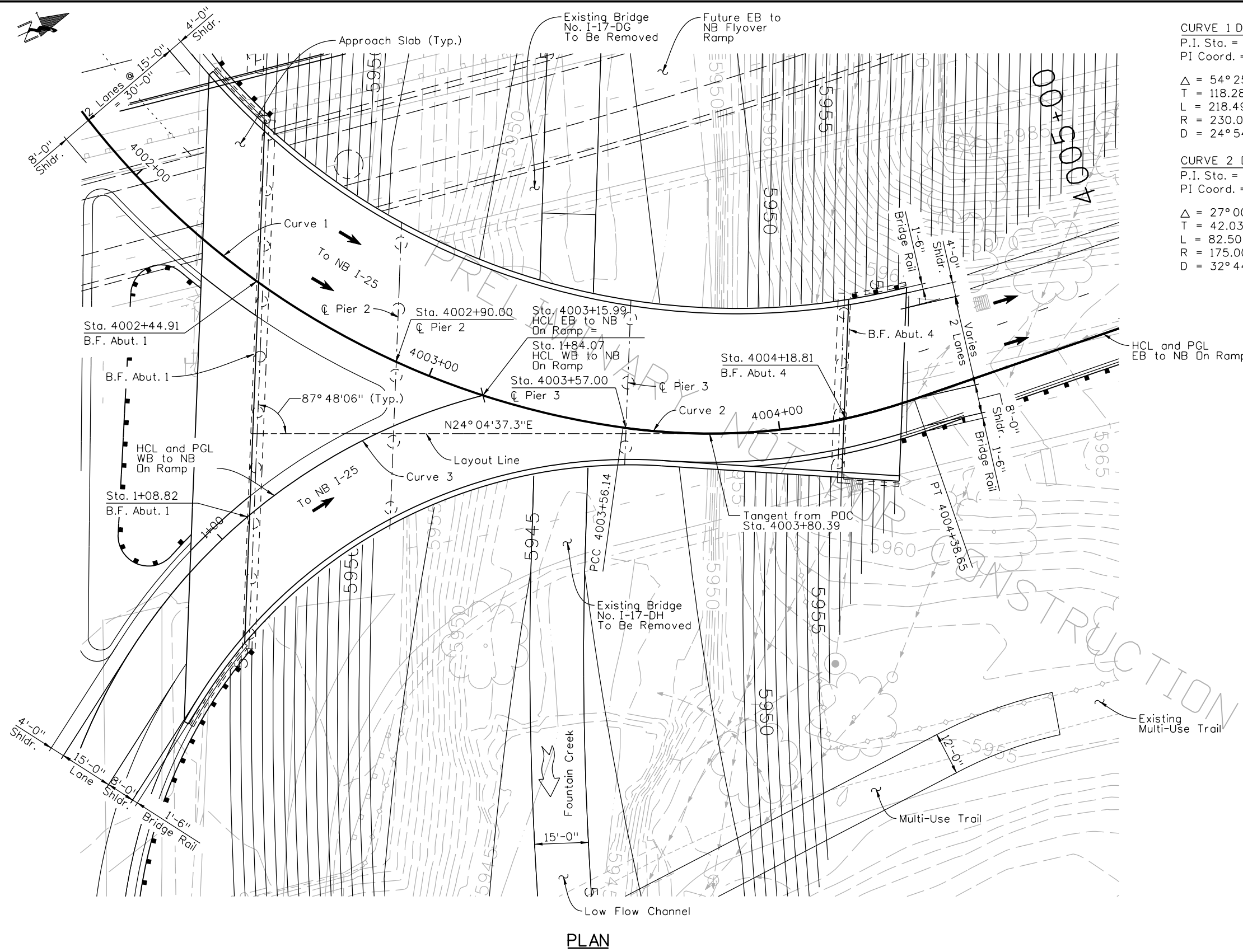
1480 Quail Lake Loop, Suite A  
Colorado Springs, CO 80906  
Phone: 719-634-2323 FAX: 719-227-3298

**Region 2**                      **DW**

<b>As Constructed</b>
No Revisions:
Revised:
Void:

<b>I-25 SB OFF RAMP GENERAL LAYOUT</b>			
Designer: D. Beck	Structure Numbers	I-17-QE	
Detailer: D. Gattshall	Subset Sheets:	of	
Sheet Subset: Bridge			

Project No./Code
Sheet Number



**CURVE 1 DATA**

P.I. Sta. = 4002+55.93  
 PI Coord. = 363828.46 N  
 191543.46 E

$\Delta = 54^\circ 25' 42''$  LT  
 T = 118.28'  
 L = 218.49'  
 R = 230.00'  
 D = 24° 54' 40"

**CURVE 2 DATA**

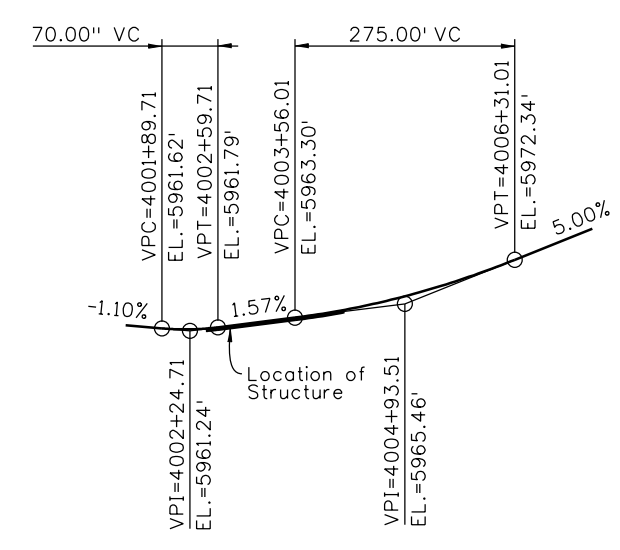
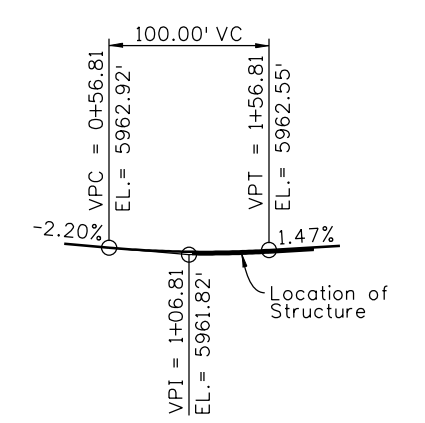
P.I. Sta. = 4003+98.18  
 PI Coord. = 363964.39 N  
 191628.45 E

$\Delta = 27^\circ 00' 44''$  LT  
 T = 42.03  
 L = 82.50'  
 R = 175.00'  
 D = 32° 44' 26"

**CURVE 3 DATA**

P.I. Sta. = 1+04.86  
 PI Coord. = 363799.42 N  
 191565.28 E

$\Delta = 61^\circ 47' 37''$  RT  
 T = 98.74'  
 L = 177.95'  
 R = 165.00'  
 D = 34° 43' 29"



PLAN

Design		Detail		Quantities			
Designed By	Checked By	INITIAL	DATE	INITIAL	DATE	INITIAL	DATE

Gattshall 2:16:51 PM c:\wcpipw\d0109809\19039BrdgNB On Lay\_01.dgn 2/21/2014

Print Date: 2/21/2014

File Name: 19039BrdgNB On Lay\_01.dgn

Horiz. Scale:                      Vert. Scale:

Unit Information:                      Unit Leader: DLH

Sheet Revisions		
Date:	Comments	Init.

Colorado Department of Transportation

1480 Quail Lake Loop, Suite A  
 Colorado Springs, CO 80906  
 Phone: 719-634-2323 FAX: 719-227-3298

**Region 2**                      **DW**

**As Constructed**

No Revisions:

Revised:

Void:

**I-25 NB ON RAMP GENERAL LAYOUT**

Designer: D. Beck

Detailer: D. Gattshall

Structure Numbers: I-17-QF

Sheet Subset: Bridge      Subset Sheets:      of

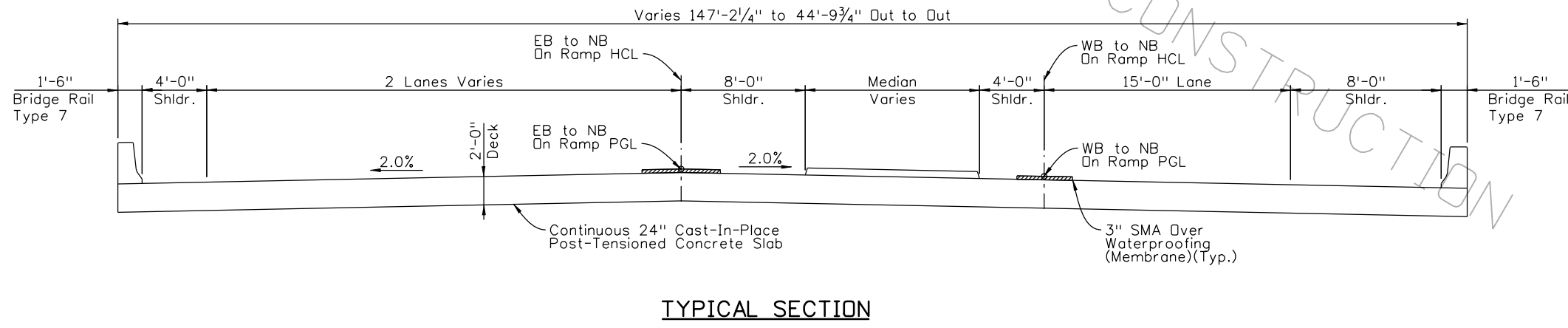
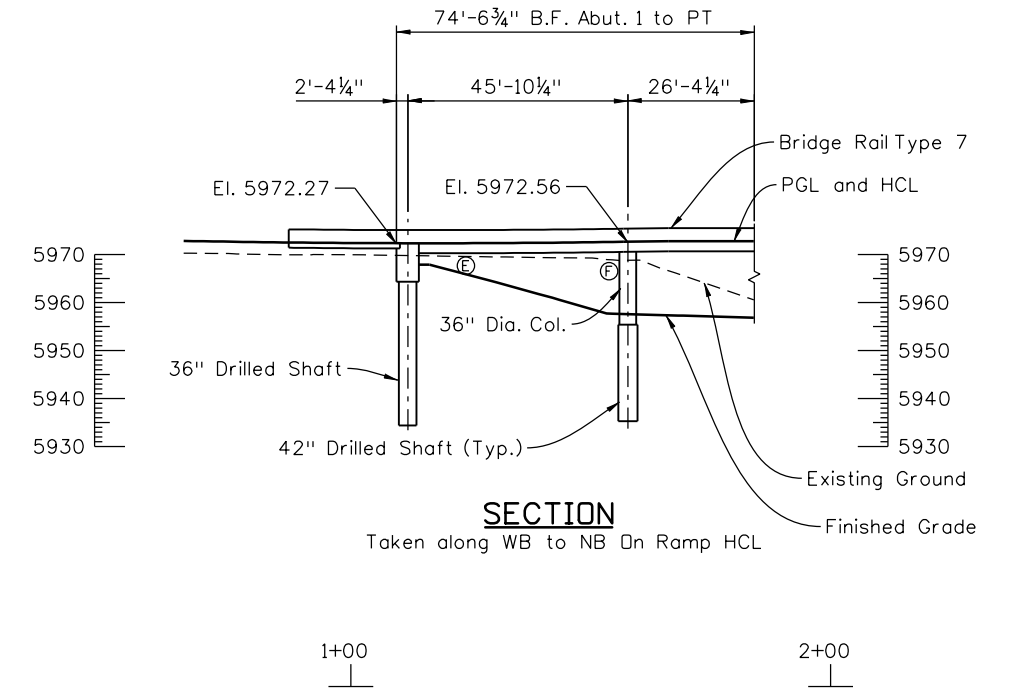
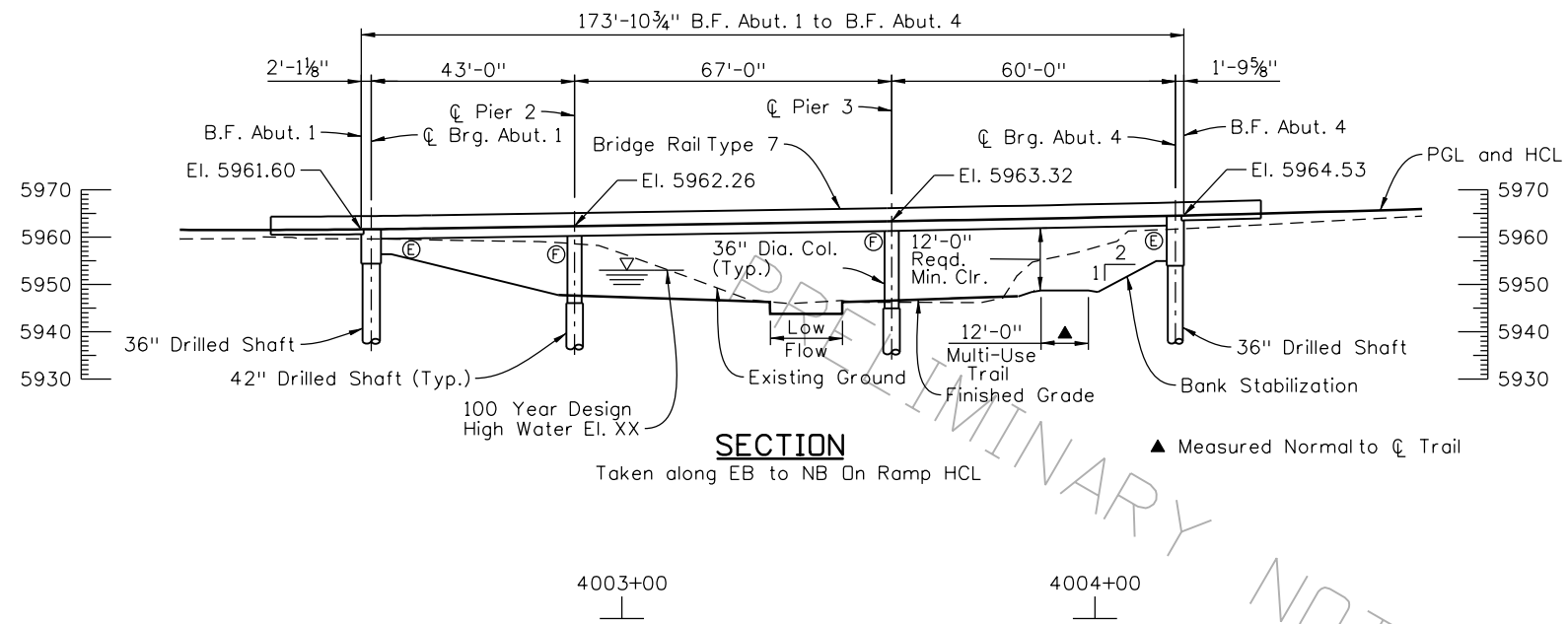
**Project No./Code**

Sheet Number

Gattshall 2/21/14 2:17:12 PM c:\wip\paw\0109809\19039BrdgNB On Lay\_02.dgn 2/21/2014

Revision	Date	By	Checked By

Design	Initial	Date	By	Checked By
Detail	Initial	Date	By	Checked By
Quantities	Initial	Date	By	Checked By



Print Date: 2/21/2014	0000
File Name: 19039BrdgNB On Lay_02.dgn	
Horiz. Scale:                      Vert. Scale:	
Unit Information:                      Unit Leader: DLH	

Sheet Revisions		
Date:	Comments	Init.

**Colorado Department of Transportation**

1480 Quail Lake Loop, Suite A  
Colorado Springs, CO 80906  
Phone: 719-634-2323 FAX: 719-227-3298

**Region 2                      DW**

<b>As Constructed</b>
No Revisions:
Revised:
Void:

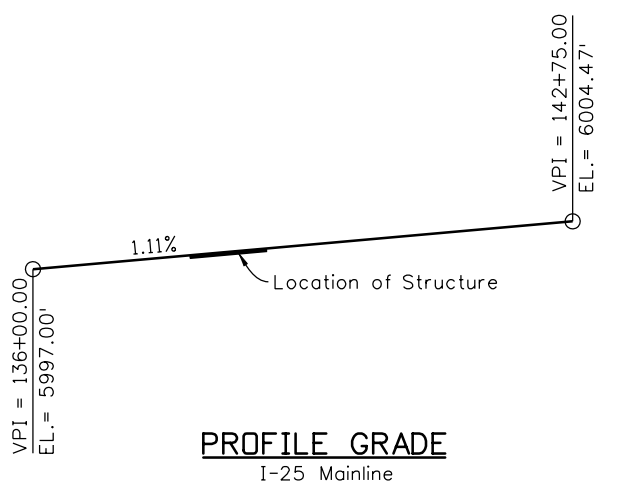
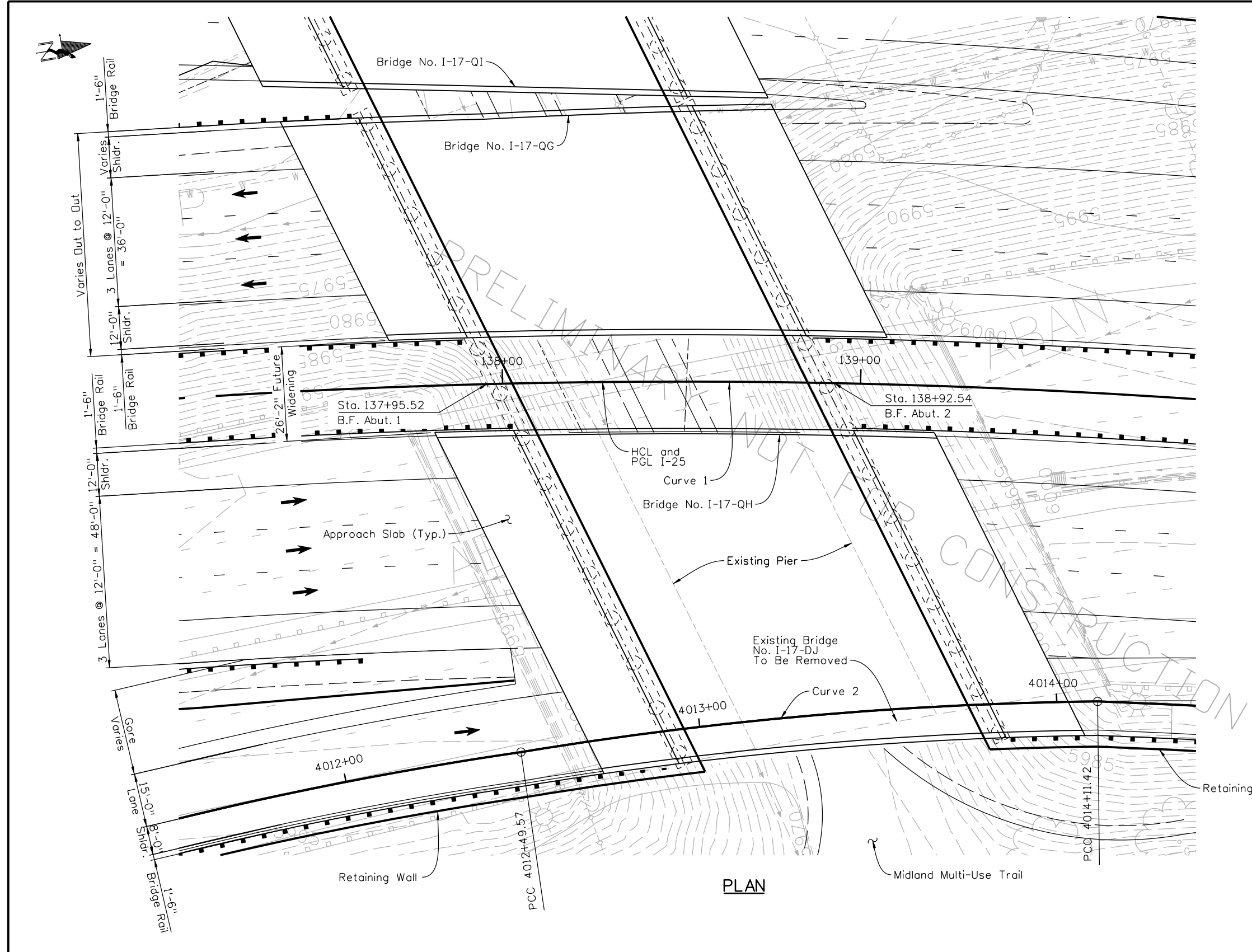
<b>I-25 NB ON RAMP GENERAL LAYOUT</b>			
Designer: D. Beck	Structure Numbers	I-17-QF	Sheet Number
Detailer: D. Gattshall	Subset Sheets:	of	
Sheet Subset: Bridge			

Project No./Code



**CURVE 1 DATA**  
P.I. Sta. = 139+87.01  
PI Coord. = 365043.13 N  
  191600.20 E  
Δ = 32° 58' 31" RT  
T = 625.56'  
L = 1208.61'  
R = 2100.00'  
D = 2° 43' 42"

**CURVE 2 DATA**  
P.I. Sta. = 4013+30.65  
PI Coord. = 364891.48 N  
  191727.85 E  
Δ = 8° 43' 47" RT  
T = 81.09'  
L = 161.86'  
R = 1062.33'  
D = 5° 23' 36"




**PLAN**

Design		Detail		Quantities	
DESIGNED BY	DATE	INITIAL	DATE	INITIAL	DATE

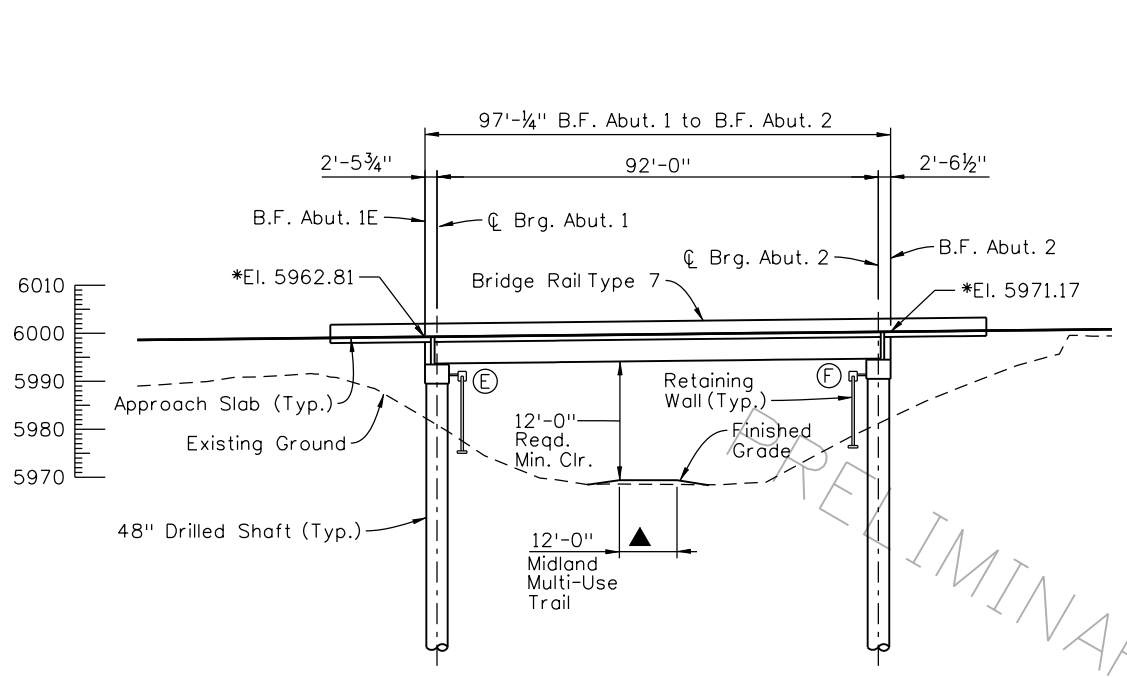
Revision Dates (Preliminary Stage Only)	
NO.	DATE

Print Date: 2/21/2014		<b>Sheet Revisions</b>			Colorado Department of Transportation		<b>As Constructed</b>		<b>I-25 MAINLINE OVER MIDLAND GENERAL LAYOUT</b>		Project No./Code		
File Name: 19039BrdgMidland Lay_01.dgn		Date:	Comments	Init.	 1480 Quail Lake Loop, Suite A Colorado Springs, CO 80906 Phone: 719-634-2323 FAX: 719-227-3298		No Revisions:		Designer: D. Beck Detailer: D. Gattshall Sheet Subset: Bridge		Sheet Number		
Horiz. Scale:                      Vert. Scale:							Revised:					Structure Numbers	
Unit Information:                      Unit Leader: DLH							Void:					Subset Sheets:          of	
0000					<b>Region 2</b>		<b>DW</b>		I-17-QG		Sheet Number		
									I-17-QH				

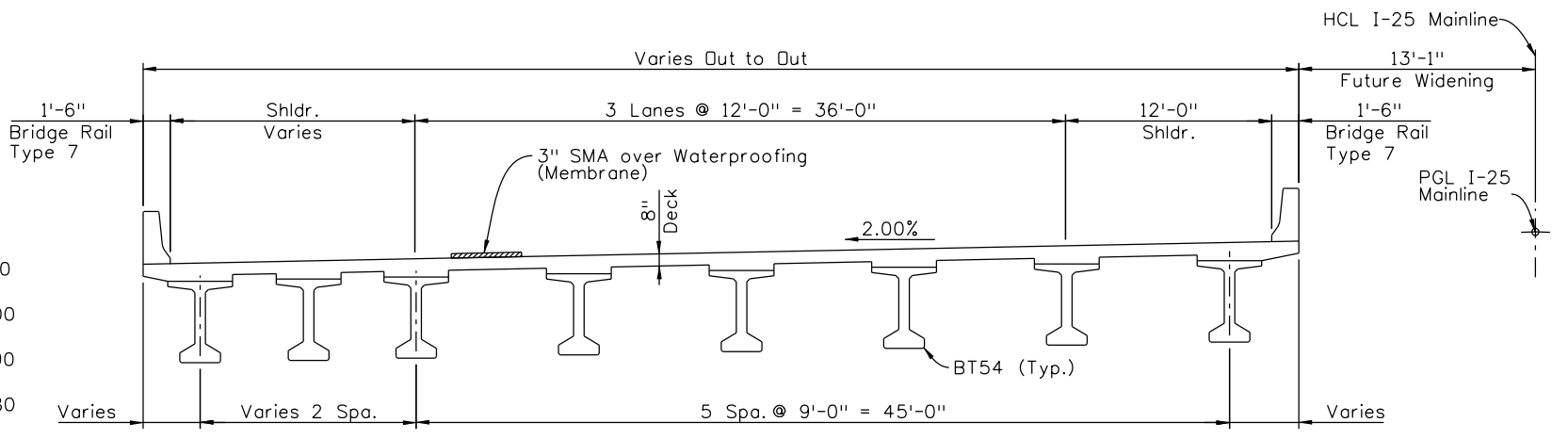
Revision Dates (Preliminary Stage Only)		

Design		Detail		Quantities	
INITIAL	DATE	INITIAL	DATE	INITIAL	DATE

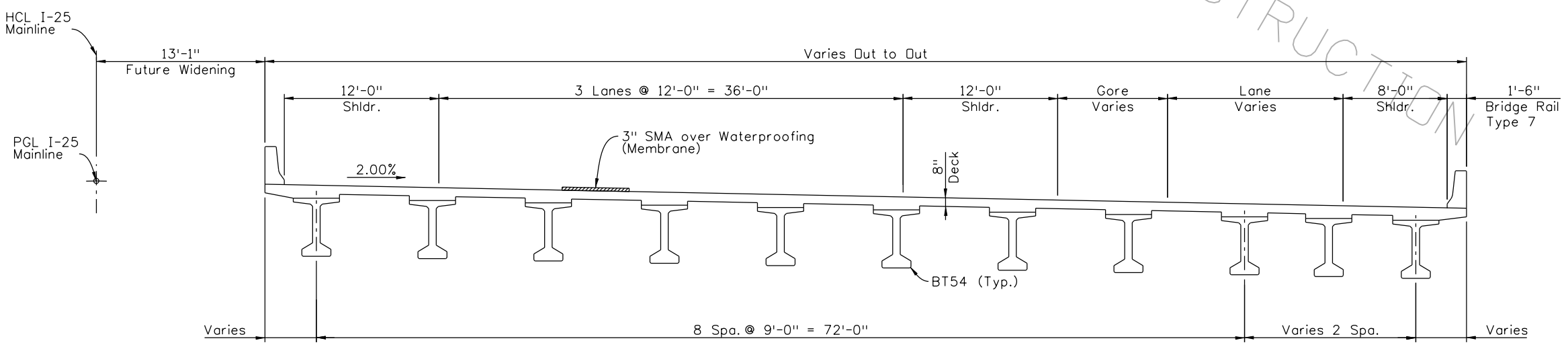
Gattshall 2/21/2014 2:17:54 PM c:\wcpw\00109809\19039BrdgMidland Lay\_02.dgn  
 2/21/2014




**SECTION SB TO EB OFF RAMP**  
 Taken along I-25 HCL  
 \* Elevations at Finished Grade  
 ▲ Measured Normal to  $\phi$  Trail  
 138+00      139+00

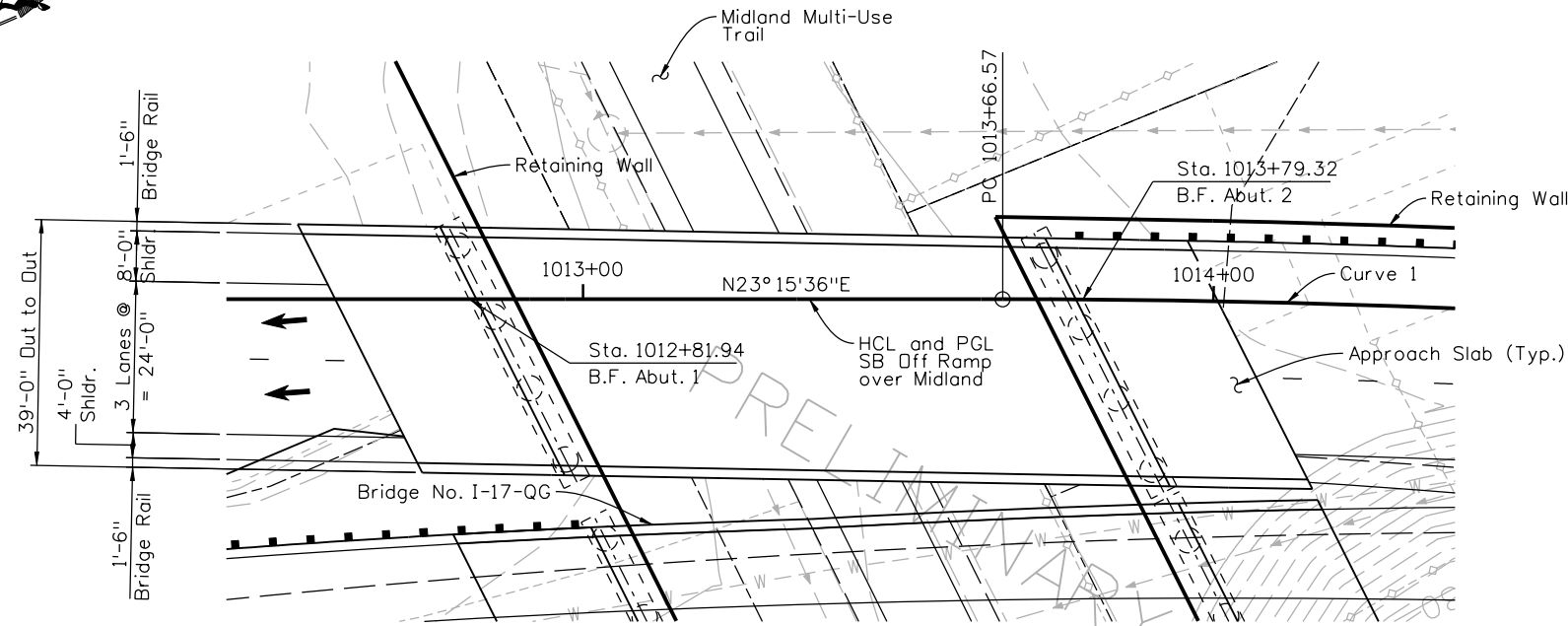


**TYPICAL SECTION**  
 SB I-25 Mainline

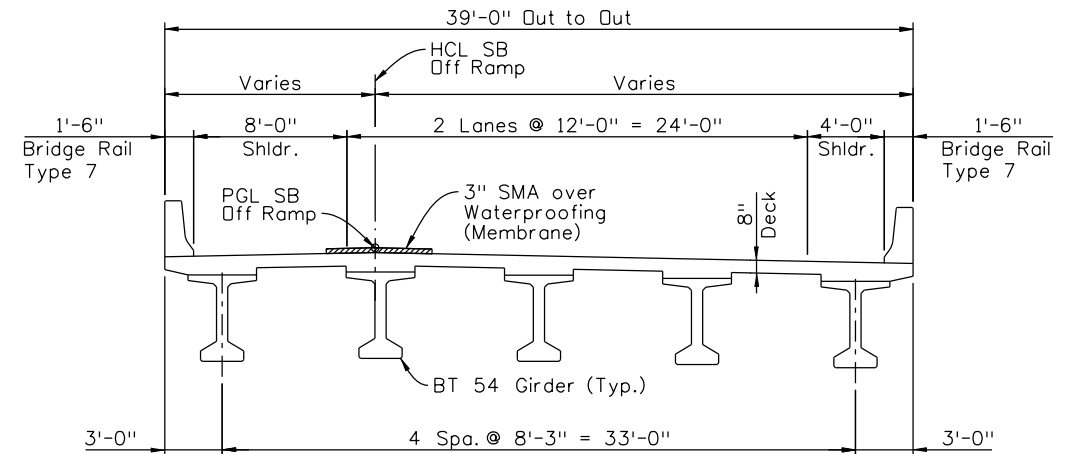


**TYPICAL SECTION**  
 NB I-25 Mainline

Print Date: 2/21/2014	<b>Sheet Revisions</b>			<b>Colorado Department of Transportation</b>  1480 Quail Lake Loop, Suite A Colorado Springs, CO 80906 Phone: 719-634-2323 FAX: 719-227-3298 <b>Region 2</b>	<b>As Constructed</b> No Revisions: Revised: Void:	<b>I-25 MAINLINE OVER MIDLAND GENERAL LAYOUT</b>		<b>Project No./Code</b>  Sheet Number				
File Name: 19039BrdgMidland Lay_02.dgn	Date:	Comments:	Init.:			Designer: D. Beck Detailer: D. Gattshall Sheet Subset: Bridge	Structure Numbers: I-17-QG I-17-QH		Subset Sheets: of			
Horiz. Scale:      Vert. Scale: Unit Information:      Unit Leader: DLH	<table border="1"> <tr> <td>0000</td> <td> </td> <td> </td> <td> </td> </tr> </table>			0000				<b>DOT</b> DEPARTMENT OF TRANSPORTATION <b>DW</b>	Void:	Sheet Subset: Bridge	Subset Sheets: of	Sheet Number
0000												

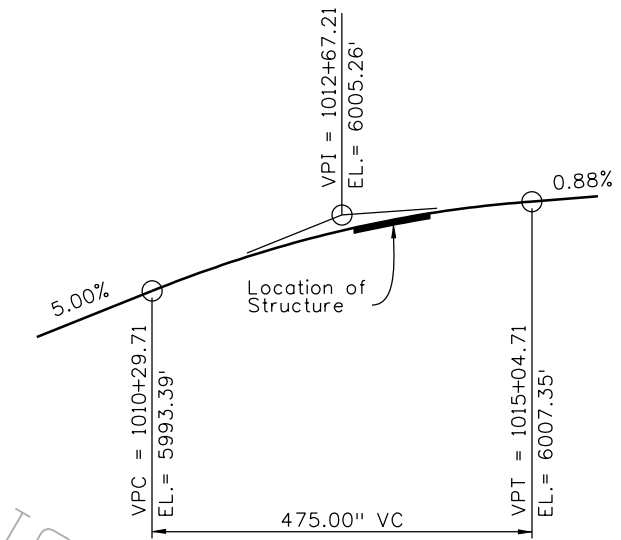


PLAN

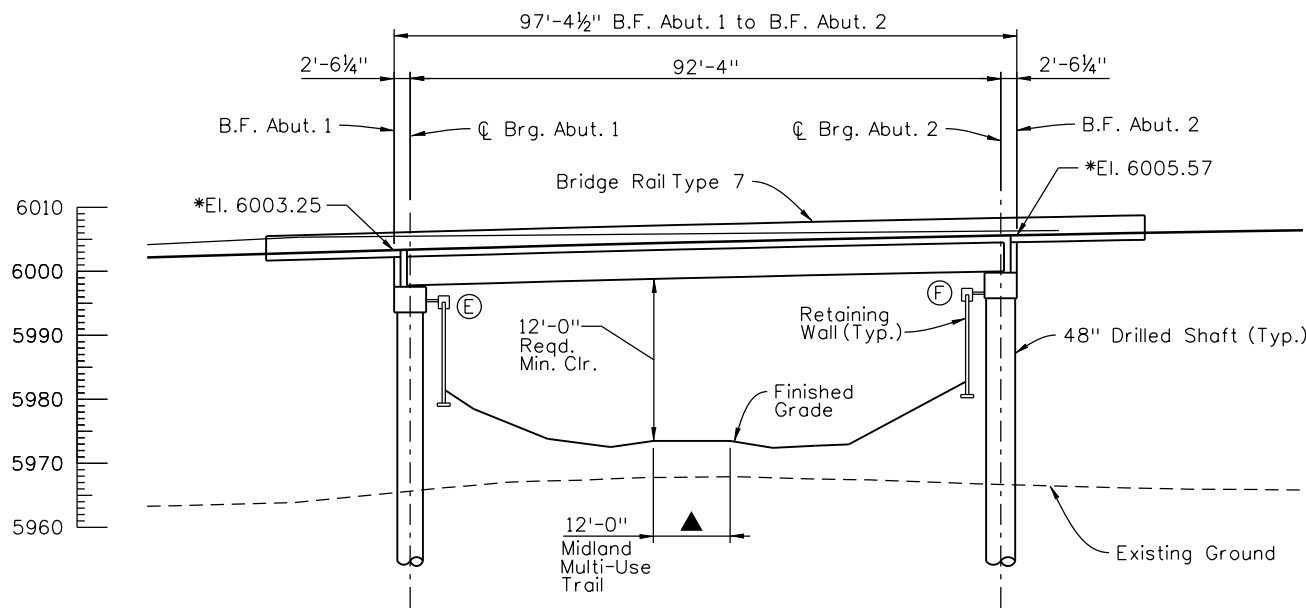


TYPICAL SECTION

CURVE 1 DATA  
 P.I. Sta. = 1017+17.10  
 PI Coord. = 365236.46 N  
 191658.92 E  
 $\Delta = 22^\circ 07' 30''$  RT  
 T = 350.53'  
 L = 692.32'  
 R = 1792.8'  
 D =  $3^\circ 11' 45''$



PROFILE GRADE  
 SB Off Ramp over Midland



SECTION I-25 SB OFF RAMP

Taken along SB Midland Off Ramp over Midland  
 \* Elevations at Finished Grade

1013+00      ▲ Measured Normal to  $\phi$  Trail      1014+00

Revision	Date	By	Checked By

Design	Initial	Date	By	Checked By

Quantities	Initial	Date	By	Checked By

Print Date: 2/21/2014	0000
File Name: 19039BrdgMid Dff Lay_01.dgn	
Horiz. Scale:      Vert. Scale:	
Unit Information:      Unit Leader: DLH	

Sheet Revisions		
Date:	Comments	Init.

Colorado Department of Transportation



1480 Quail Lake Loop, Suite A  
 Colorado Springs, CO 80906  
 Phone: 719-634-2323 FAX: 719-227-3298

Region 2      DW

As Constructed
No Revisions:
Revised:
Void:

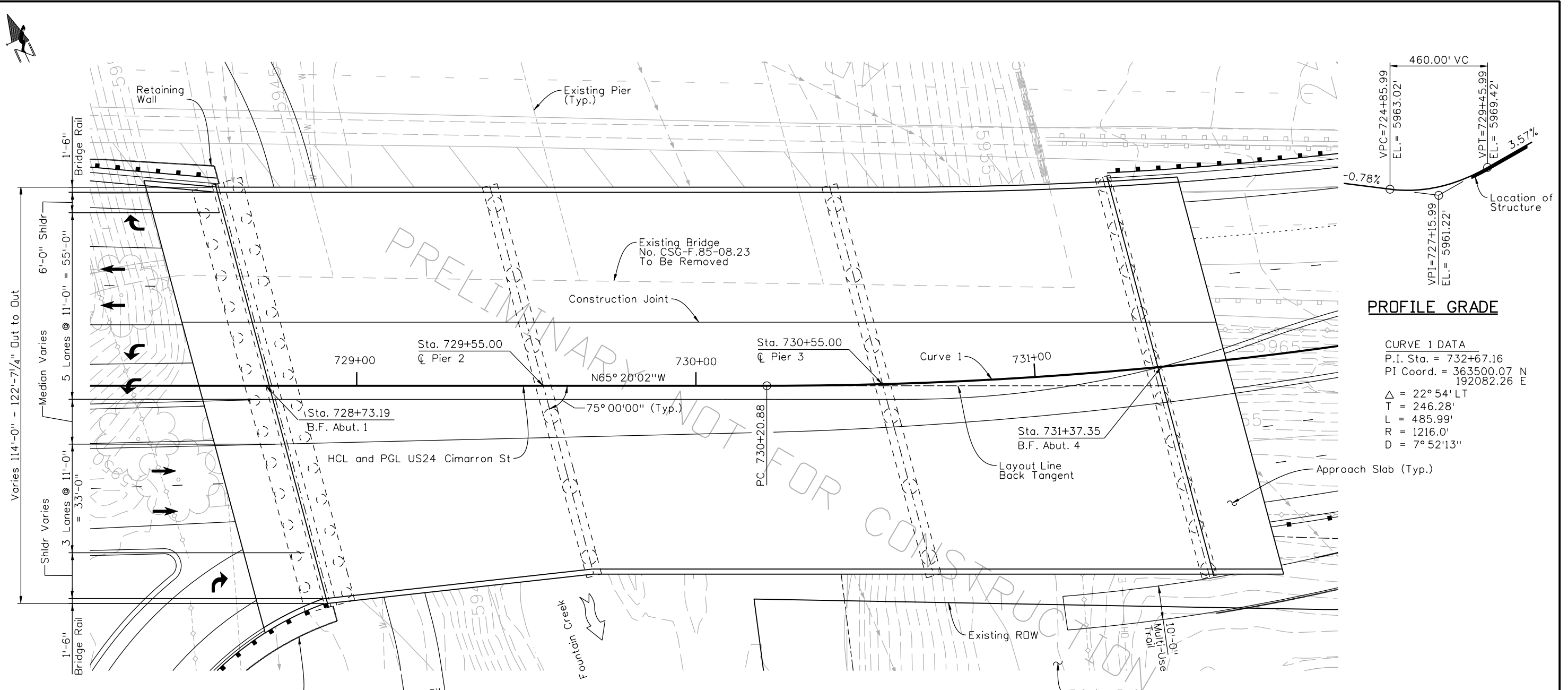
I-25 SB OFF RAMP OVER MIDLAND GENERAL LAYOUT			
Designer: D. Beck	Structure Numbers	I-17-Q1	Sheet Number
Detailer: D. Gattshall	Subset Sheets:	of	
Sheet Subset: Bridge			

Project No./Code

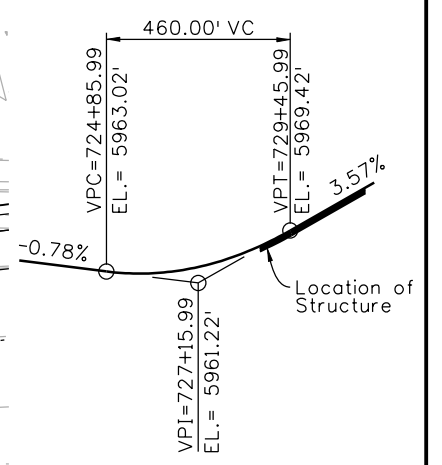
Gattshall 2:18:27 PM c:\wcpw\40109809\19039BrdgMid Dff Lay\_01.dgn 2/21/2014

Gattshall 2:18:54 PM c:\wcpw\00109809\19039BrdgCimarron Lay\_01.dgn  
2/21/2014

Design		Detail		Quantities			
Designed By	Checked By	INITIAL	DATE	INITIAL	DATE	INITIAL	DATE
Revision Dates (Preliminary Stage Only)		Quantities		Quantities			
Revision	Date	Checked By	Checked By	Checked By	Checked By		



PLAN



Print Date: 2/21/2014	0000
File Name: 19039BrdgCimarron Lay_01.dgn	
Horiz. Scale:                      Vert. Scale:	
Unit Information:                      Unit Leader: DLH	

Sheet Revisions		
Date:	Comments	Init.

**Colorado Department of Transportation**

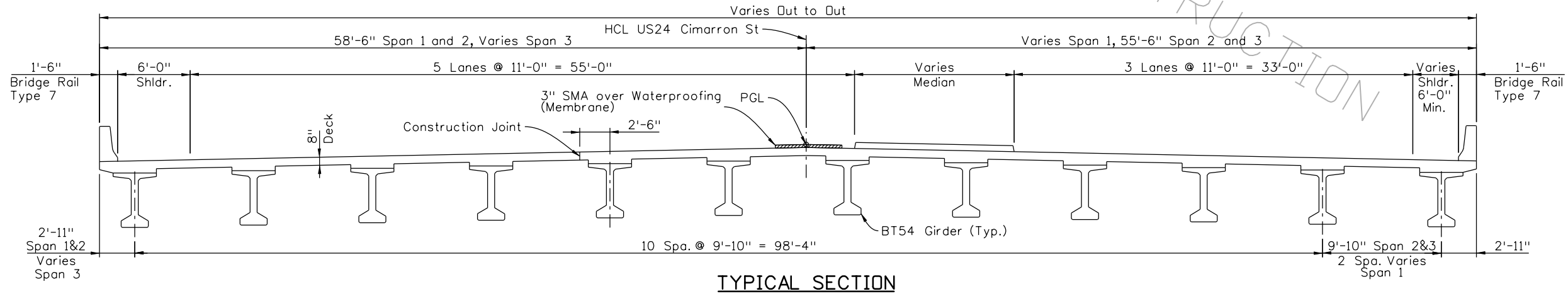
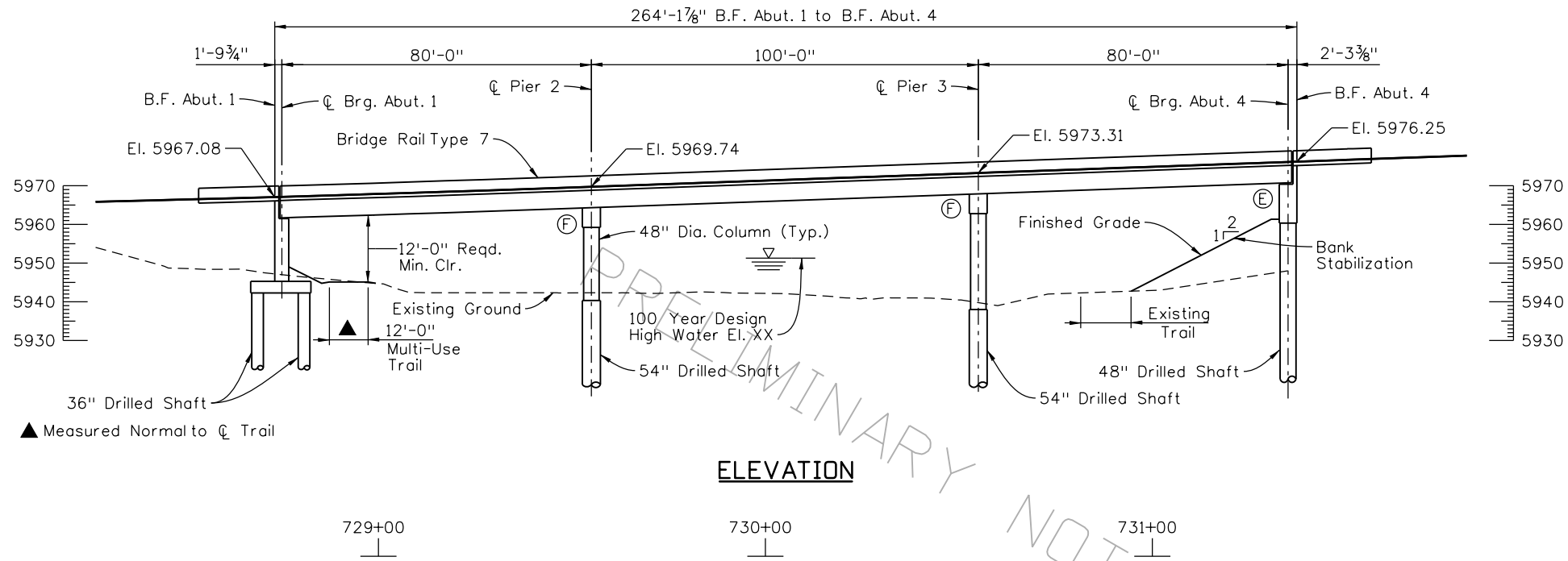
1480 Quail Lake Loop, Suite A  
 Colorado Springs, CO 80906  
 Phone: 719-634-2323 FAX: 719-227-3298

**Region 2**                      **DW**

<b>As Constructed</b>
No Revisions:
Revised:
Void:

<b>US24 CIMARRON ST GENERAL LAYOUT</b>	
Designer: D. Beck	Structure Numbers: CSG-F.85-08.23A
Detailer: D. Gattshall	
Sheet Subset: Bridge	Subset Sheets: of

<b>Project No./Code</b>
Sheet Number



Revision Dates (Preliminary Stage Only)			
NO.	DATE	BY	DESCRIPTION

Design		Detail		Quantity	
DESIGNED BY	CHECKED BY	INITIAL	DATE	INITIAL	DATE

Print Date: 2/21/2014	
File Name: 19039BrdgCimarron Lay_02.dgn	
Horiz. Scale:	Vert. Scale:
Unit Information:	Unit Leader: DLH

Sheet Revisions		
Date:	Comments	Init.

Colorado Department of Transportation



1480 Quail Lake Loop, Suite A  
Colorado Springs, CO 80906  
Phone: 719-634-2323 FAX: 719-227-3298

Region 2 DW

As Constructed
No Revisions:
Revised:
Void:

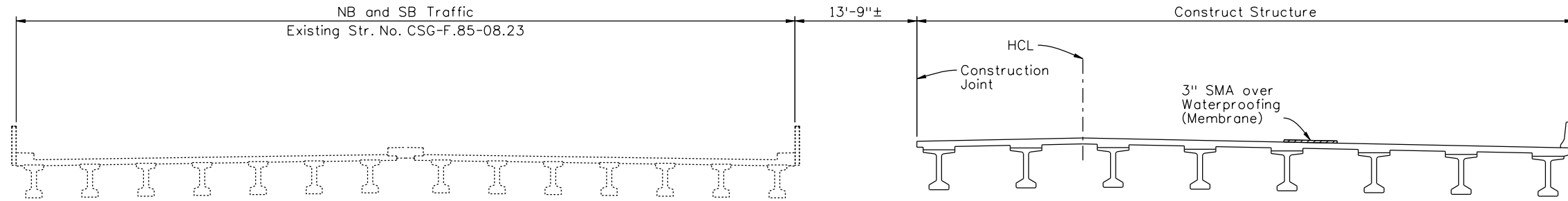
US24 CIMARRON ST GENERAL LAYOUT			
Designer: D. Beck	Structure Numbers	CSG-F.85-08.23A	
Detailer: D. Gattshall			
Sheet Subset: Bridge	Subset Sheets: of		

Project No./Code
Sheet Number

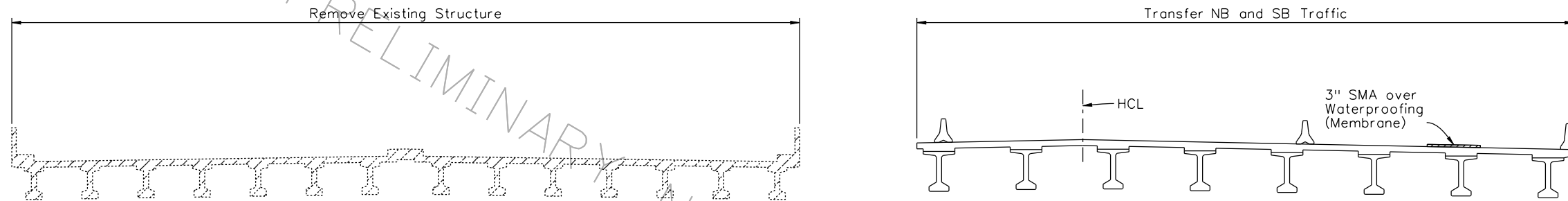
Gattshall 2:19:18 PM c:\wcpw\0109809\19039BrdgCimarron Pha\_01.dgn 2/21/2014

Revision Dates (Preliminary Stage Only)	

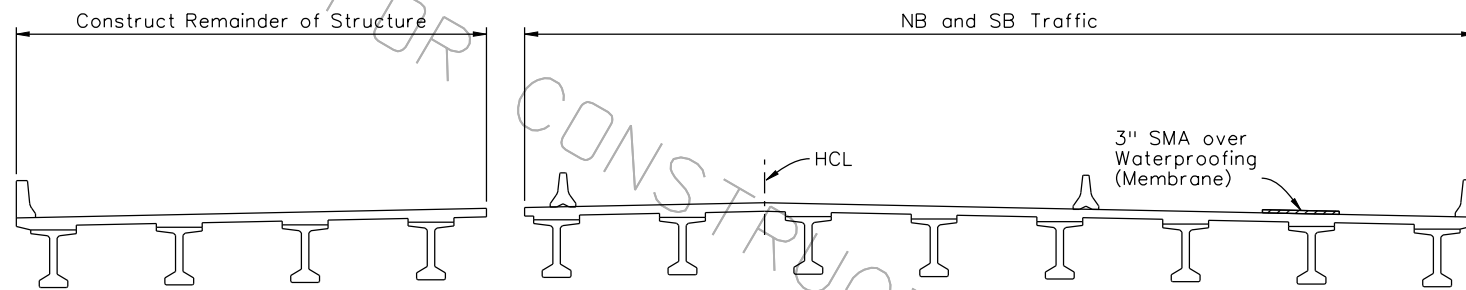
Design		Detail		Quantities	
INITIAL	DATE	INITIAL	DATE	INITIAL	DATE



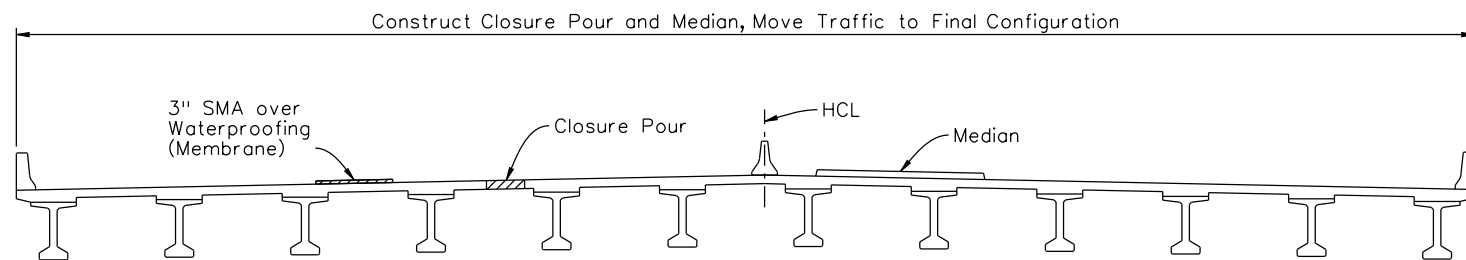
**PHASE 1 CONSTRUCTION**



**PHASE 2 CONSTRUCTION**



**PHASE 3 CONSTRUCTION**



**PHASE 4 CONSTRUCTION**

Print Date: 2/21/2014	0000	<b>Sheet Revisions</b>			<b>Colorado Department of Transportation</b>		<b>As Constructed</b>		<b>US24 CIMARRON ST CONSTRUCTION PHASING</b>		<b>Project No./Code</b>	
File Name: 19039BrdgCimarron Pha_01.dgn		Date:	Comments	Init.	1480 Quail Lake Loop, Suite A Colorado Springs, CO 80906 Phone: 719-634-2323 FAX: 719-227-3298		No Revisions:		Designer: D. Beck Detailer: D. Gattshall		Structure Numbers: CSG-F.85-08.23A Subset Sheets:      of	
Horiz. Scale:      Vert. Scale:							Revised:					
Unit Information:      Unit Leader: DLH						<b>Region 2</b>		Void:		Sheet Number		