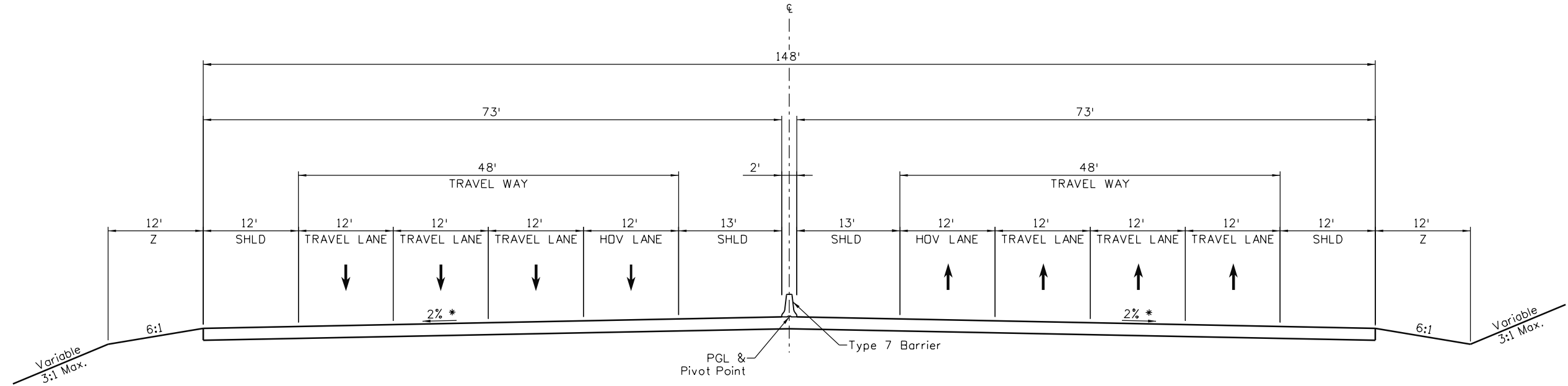
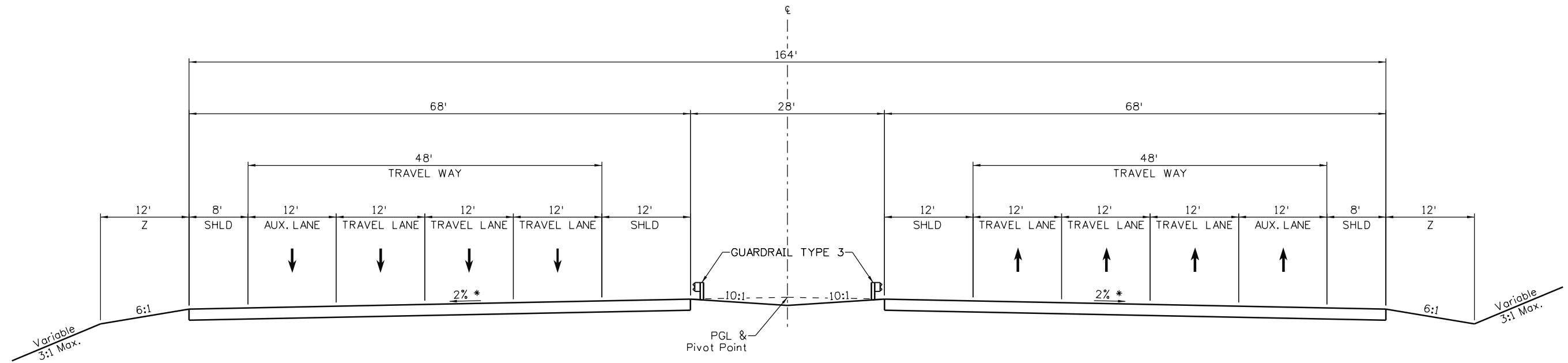


**ULTIMATE I-25
NORTH AND SOUTH OF
CIMARRON RAMPS**

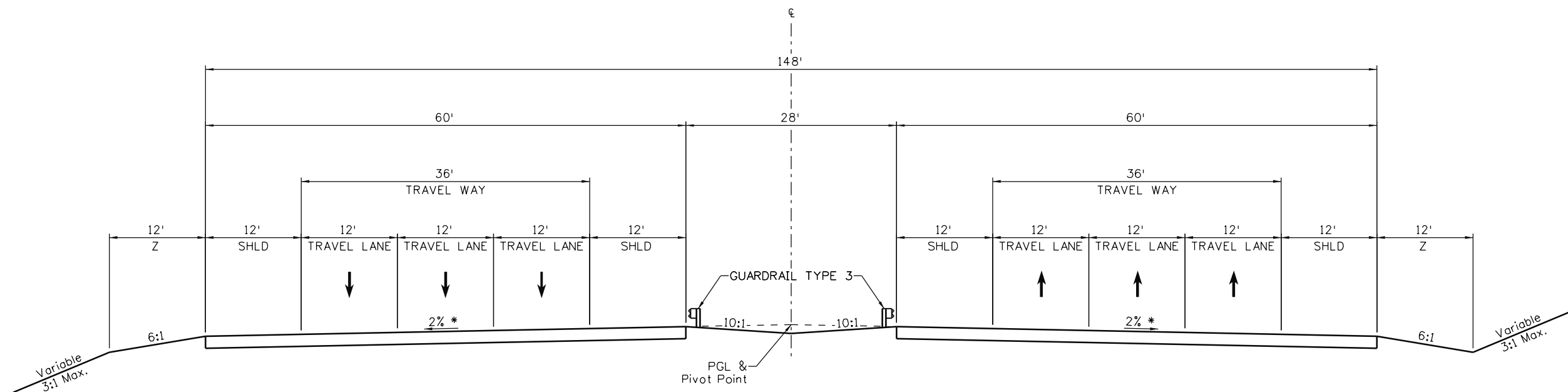


**ULTIMATE I-25
BETWEEN CIMARRON RAMPS**

* SEE PROFILE FOR SUPERELEVATION INFORMATION

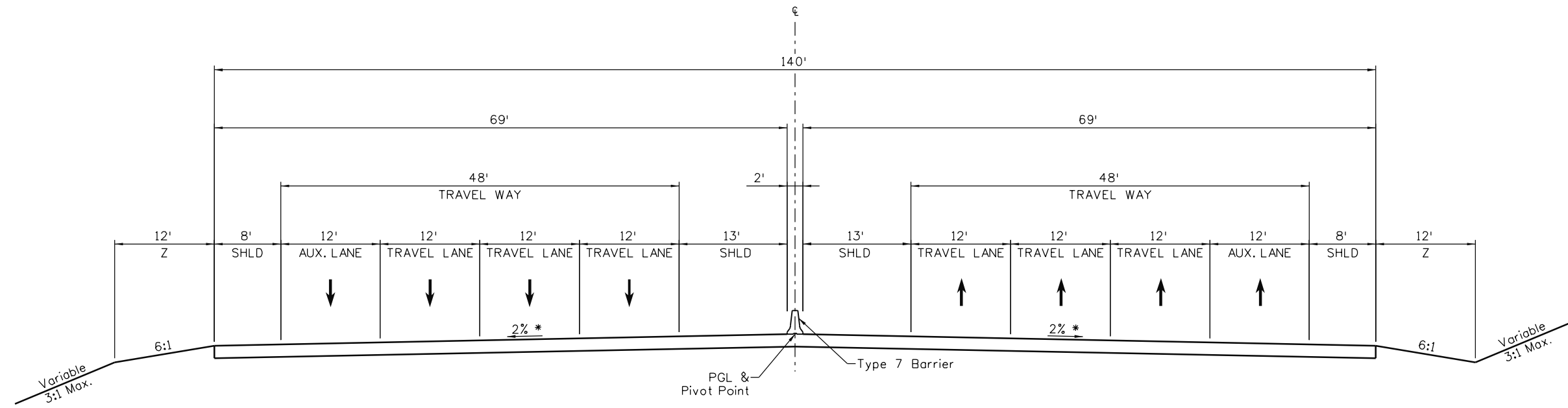


**BASE I-25
NORTH AND SOUTH OF
CIMARRON RAMPS**

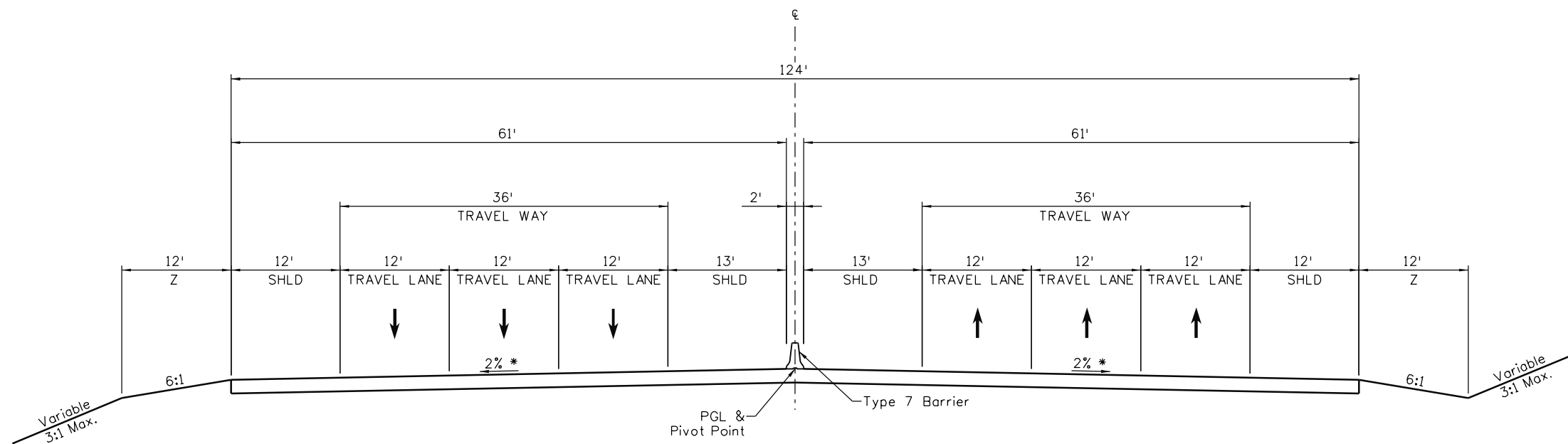


**BASE I-25
BETWEEN CIMARRON RAMPS**

* SEE PROFILE FOR SUPERELEVATION INFORMATION

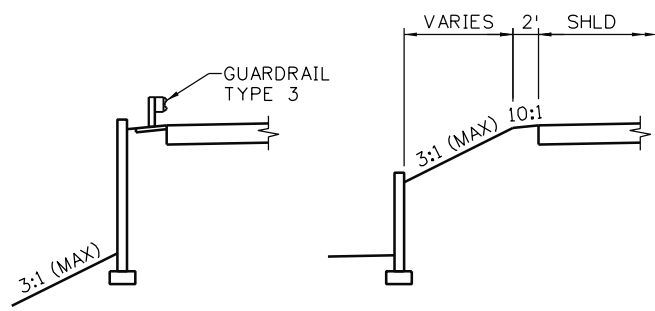
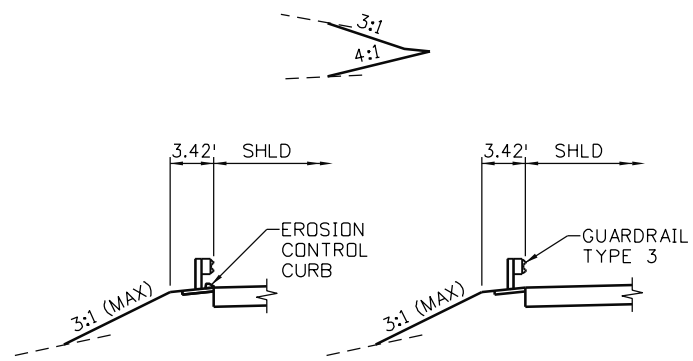


**BASE I-25
NORTH AND SOUTH OF
CIMARRON RAMPS**

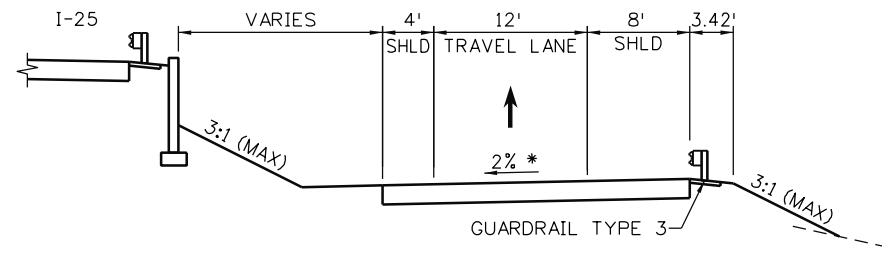


**BASE I-25
BETWEEN CIMARRON RAMPS**

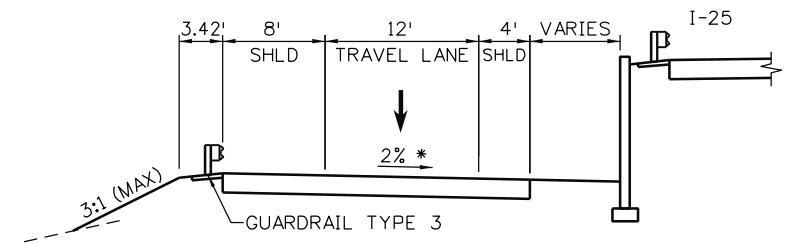
* SEE PROFILE FOR SUPERELEVATION INFORMATION



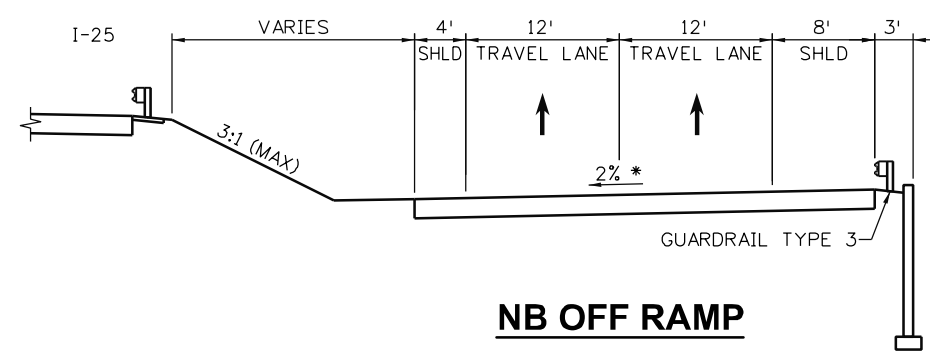
ROADSIDE TREATMENTS



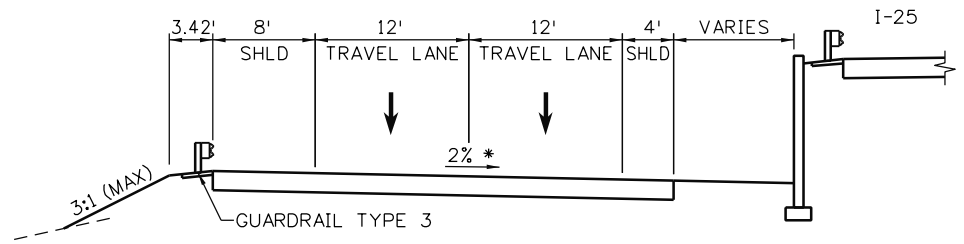
NB ON RAMP



SB ON RAMP

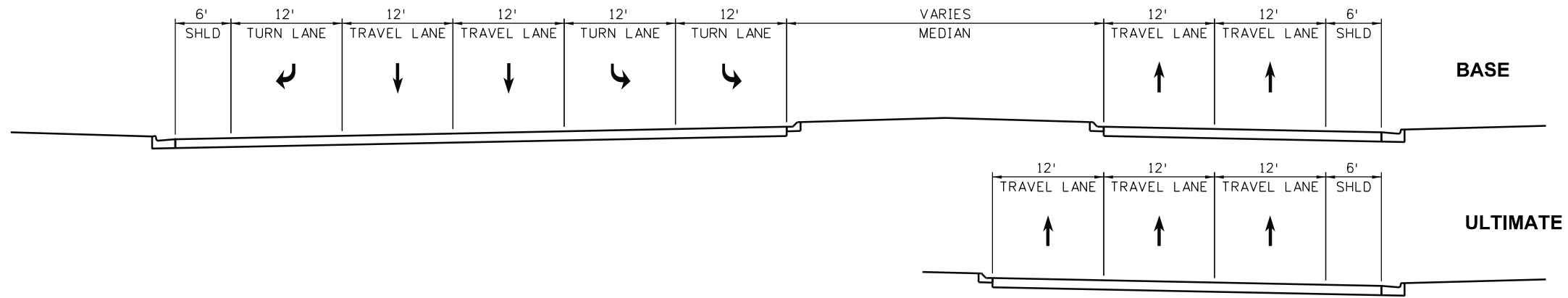


NB OFF RAMP

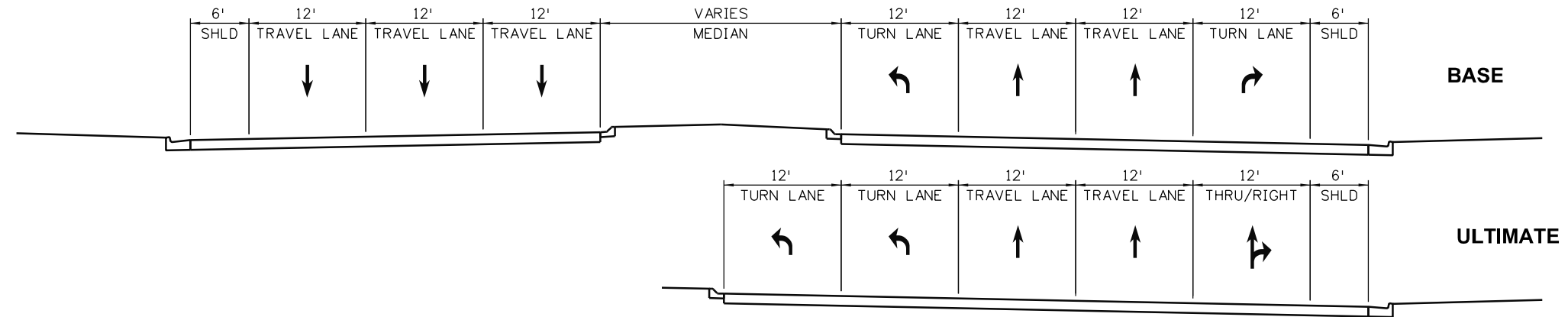


SB OFF RAMP

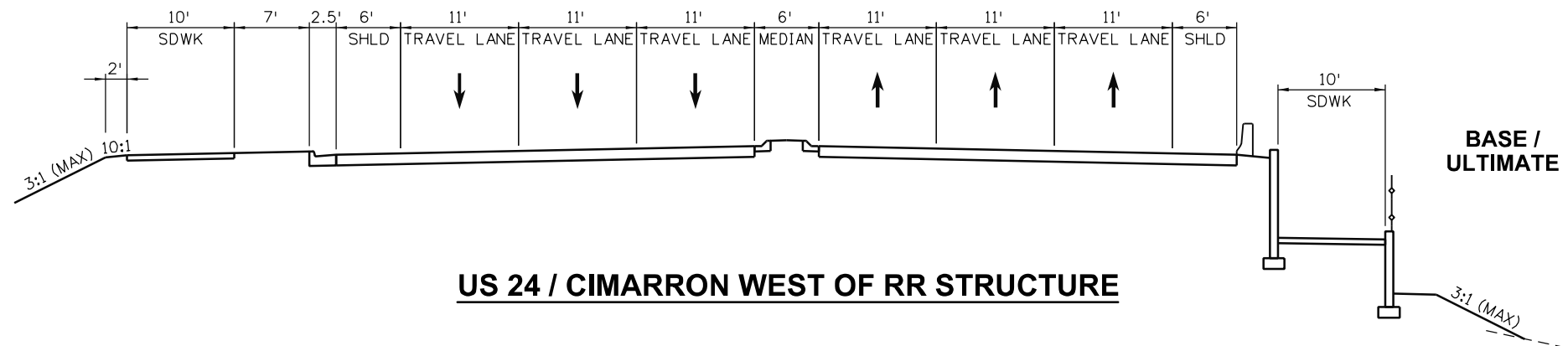
* SEE PROFILE FOR SUPERELEVATION INFORMATION



US 24 / CIMARRON WEST OF I-25



US 24 / CIMARRON EAST OF I-25



US 24 / CIMARRON WEST OF RR STRUCTURE

* SEE PROFILE FOR SUPERELEVATION INFORMATION