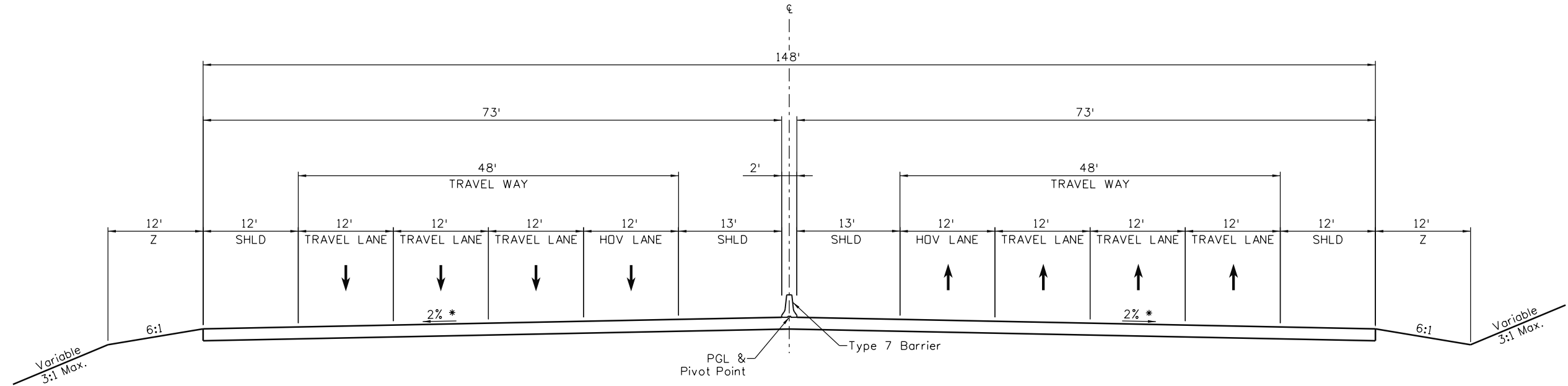
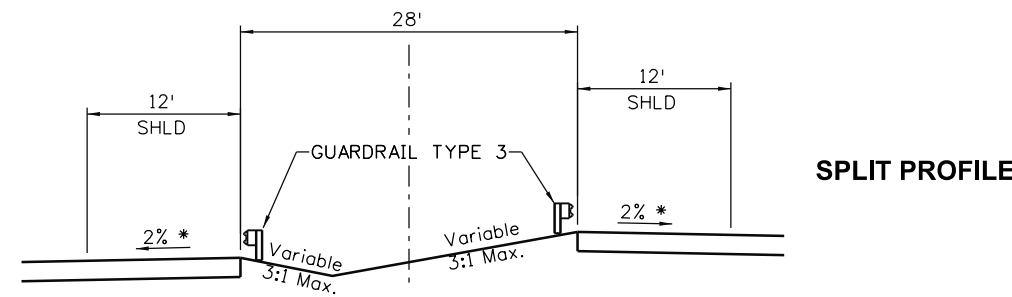
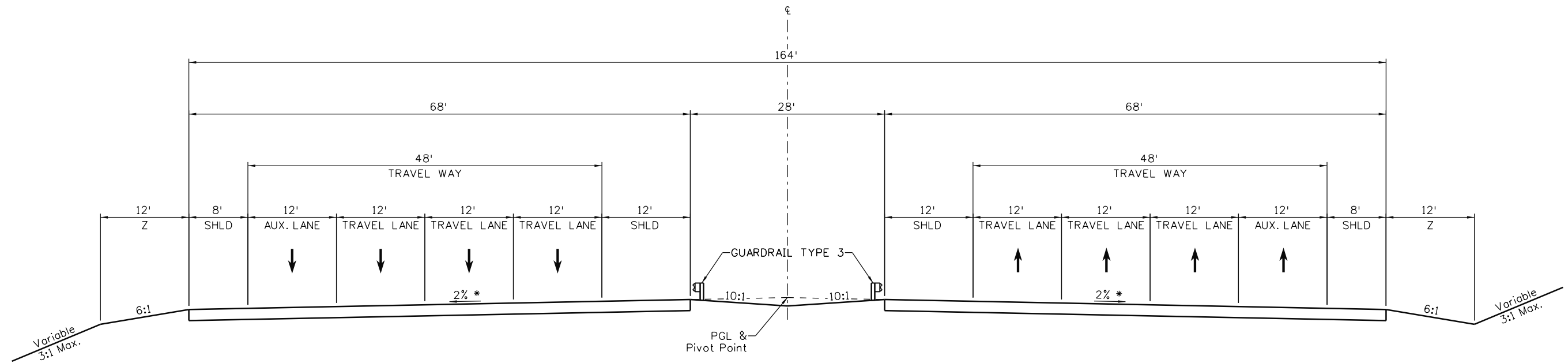


**ULTIMATE I-25
NORTH AND SOUTH OF CIMARRON RAMPS**

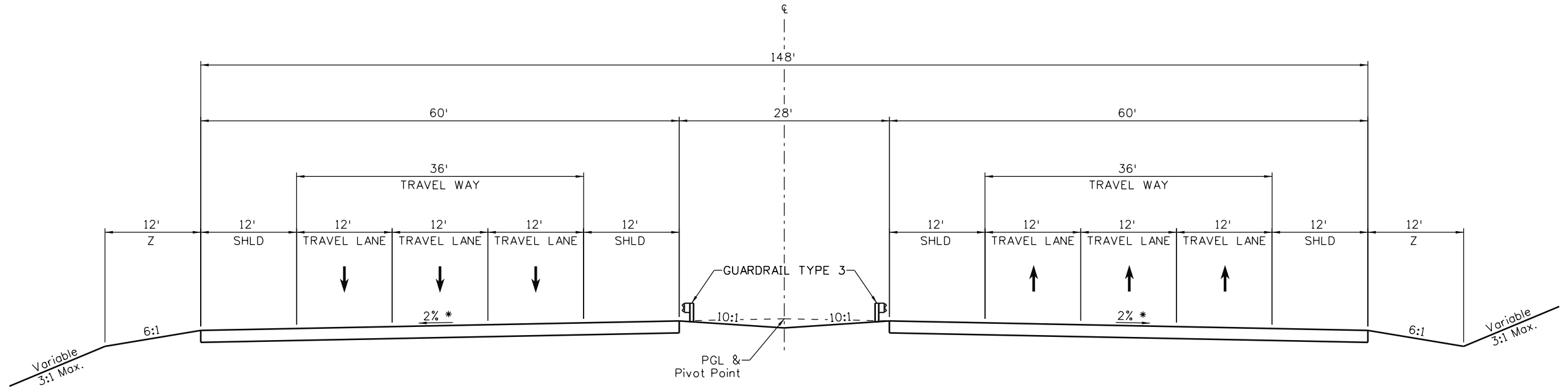


**ULTIMATE I-25
BETWEEN CIMARRON RAMPS**

* SEE PROFILE FOR SUPERELEVATION INFORMATION

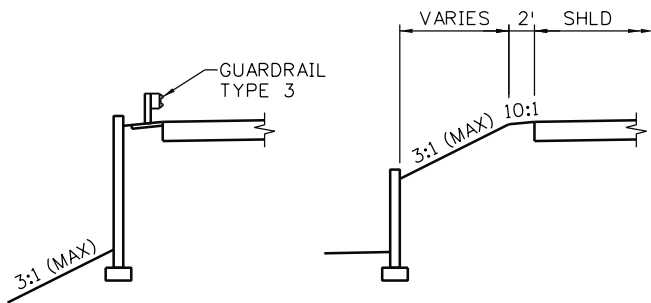
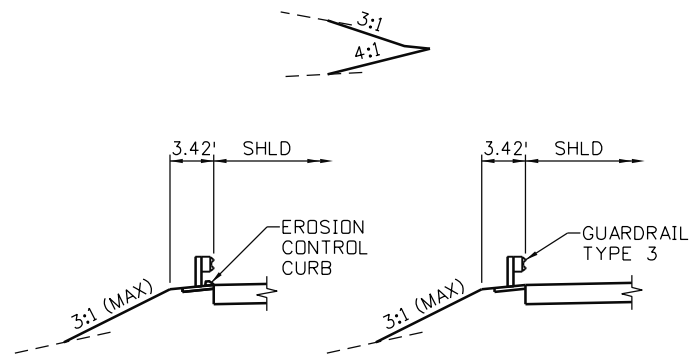


**BASIC I-25
NORTH AND SOUTH OF CIMARRON RAMPS**

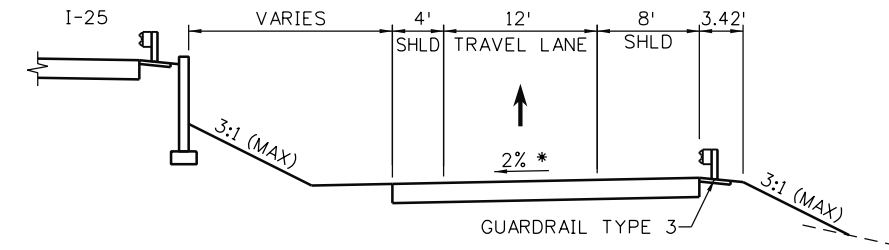


**BASIC I-25
BETWEEN CIMARRON RAMPS**

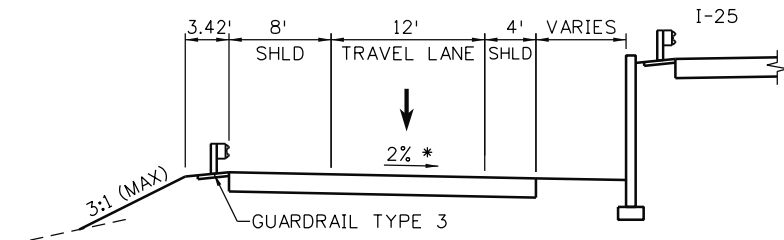
* SEE PROFILE FOR SUPERELEVATION INFORMATION



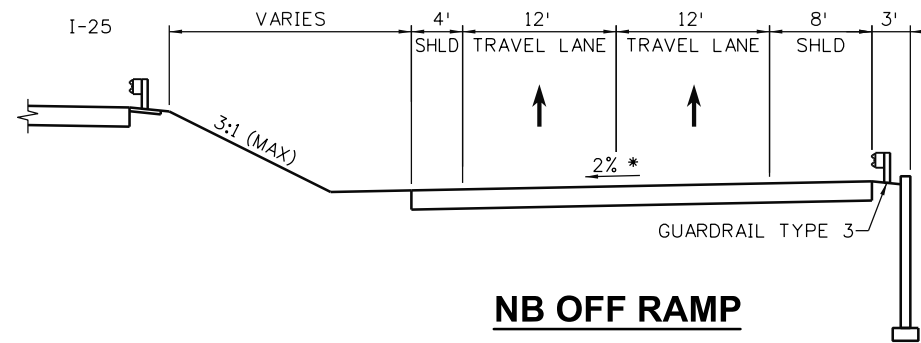
ROADSIDE TREATMENTS



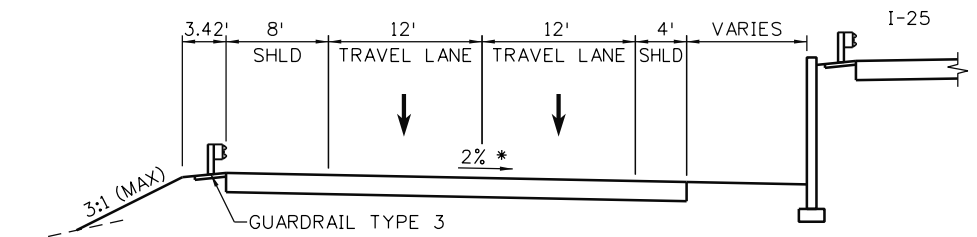
NB ON RAMP



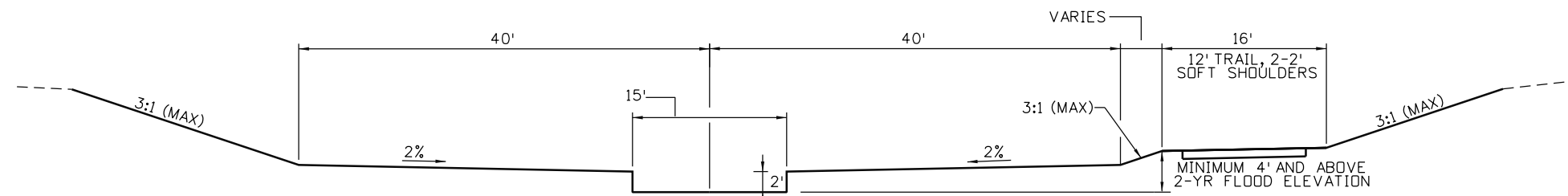
SB ON RAMP



NB OFF RAMP

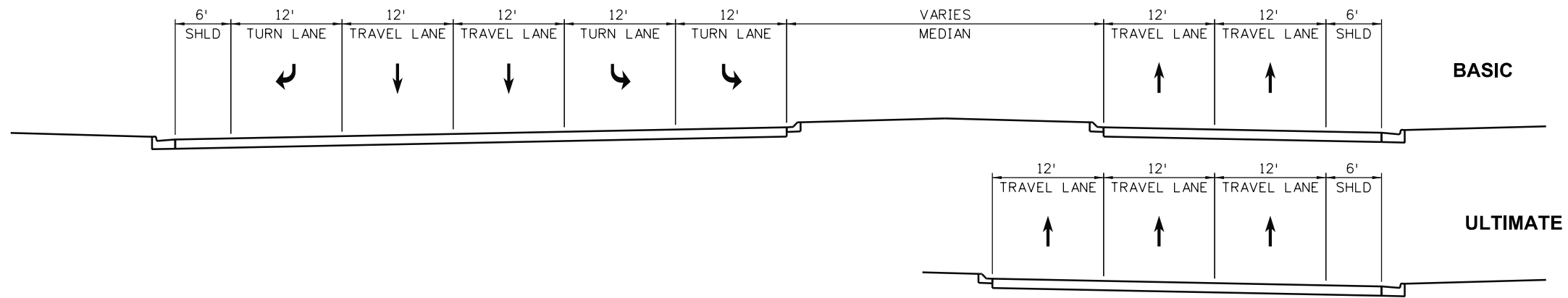


SB OFF RAMP

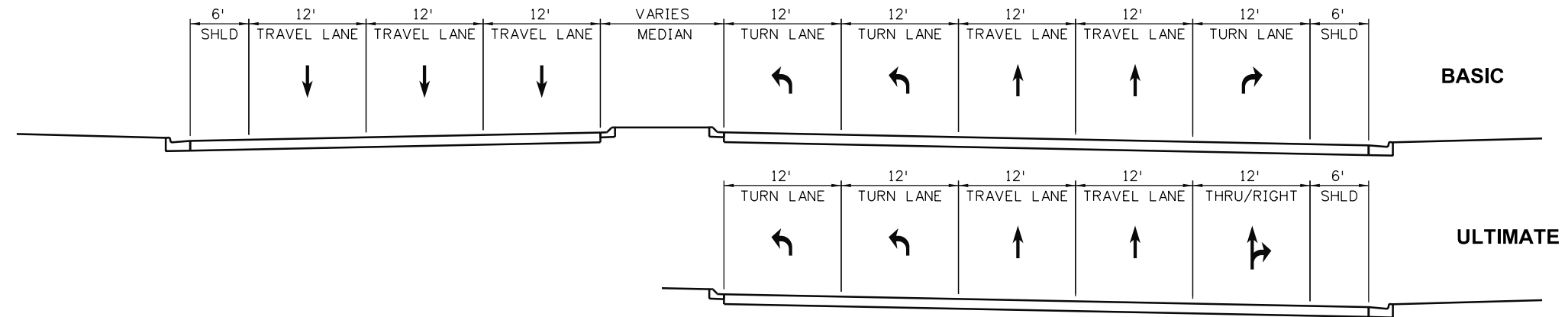


**FOUNTAIN CREEK
(WEST OF CONFLUENCE WITH MONUMENT CREEK)**

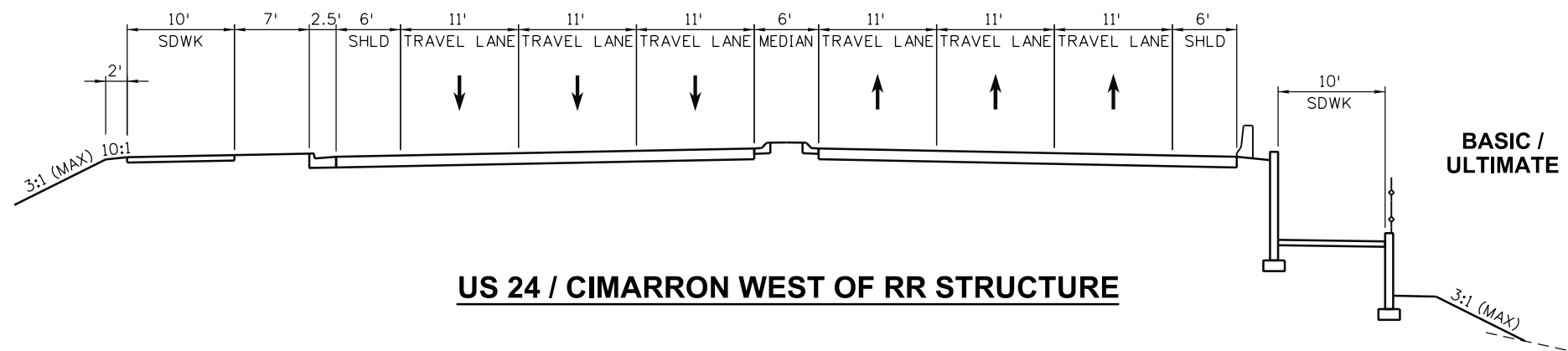
* SEE PROFILE FOR SUPERELEVATION INFORMATION



US 24 / CIMARRON WEST OF I-25



US 24 / CIMARRON EAST OF I-25



US 24 / CIMARRON WEST OF RR STRUCTURE

* SEE PROFILE FOR SUPERELEVATION INFORMATION