

DRAINAGE TABULATION

Main data table with columns: ID NO., STATION/OFFSET, INLET (4) TYPE, MANHOLE SLAB BASE (I) (II), MANHOLE BOX BASE (I) (II), MEASURED HEIGHT (H), ELEVATIONS, PIPE-SEWER (INVERT ELEVATIONS, GRADE, REINFORCED CONCRETE PIPE, CORRUGATED METAL PIPE, REINFORCED CONCRETE END SECTION (6)), RIPRAP (12 INCH), GEOTEXTILE (EROSION CONTROL CLASS I), CONCRETE CLASS D (12), PIPE RAILING, MODIFY INLET (SPECIAL), MODIFY MANHOLE (SPECIAL), REMOVAL OF PIPE, REMOVAL OF INLET, REMOVAL OF STRUCTURE (IRRIGATION), CLEAN CULVERT, PLUG CULVERT, MISC.



CONNECT TO EX. CMP

SEE DD-1

SEE DR-1

SEE DD-3,8

SEE CP-1

SEE DD-3,8

SEE CP-1

SEE DP-6

SEE DD-1

- (1) STATION AND OFFSET DISTANCES ARE TO THE CENTER OF THE STRUCTURE FOR (MANHOLES, INLET TYPE C'S, AND INLET TYPE D (SPECIAL)).
(2) TOP OF CURB, RIM ELEVATIONS AND OFFSETS SHALL BE VERIFIED PRIOR TO CONSTRUCTION.
(3) ALL STRUCTURE EXCAVATION, EMBANKMENT AND BACKFILL SHALL BE INCLUDED IN THE COST OF THE RCP OR CMP AND STRUCTURES (INLETS, END SECTIONS AND MANHOLES).
(4) FOR TYPE R & TYPE 16 INLETS THE STATION POINT IS GIVEN TO THE MIDPOINT OF THE STRUCTURE THE OFFSET IS GIVEN TO THE CURB FLOW LINE, AND THE RIM IS GIVEN TO THE TOP OF CURB.
(5) PIPE LENGTHS ARE APPROXIMATE. THE STATION/OFFSET OF STRUCTURES THAT CONNECT PIPE SEGMENTS SHALL GOVERN. ALL PIPE JOINTS SHALL HAVE ASTM C-443 BELL AND SPIGOT WITH RUBBER GASKET.
(6) CONCRETE TOE WALLS AND JOINT FASTENERS SHALL BE INCLUDED IN THE COST OF THE REINFORCED CONCRETE END SECTION (SEE SHEET DD-1).
(7) CONTRACTOR SHALL VERIFY EXISTING PIPE SIZES AND ADJUST PROPOSED PIPE EXTENSIONS IF REQUIRED.
(8) SEE SHEET DD-1 FOR RIPRAP LAYOUT AND DETAILS.
(9) TABULATION OF STORM SEWER SYSTEM QUANTITIES HAVE BEEN CARRIED FORWARD TO THE SUMMARY OF APPROXIMATE QUANTITIES SHEETS.
(10) ALL UTILITY LOCATIONS SHOWN ON THESE PLANS ARE APPROXIMATE AND THE CONTRACTOR SHALL VERIFY THEIR LOCATIONS PRIOR TO THE BEGINNING OF CONSTRUCTION.
(11) ALL MANHOLES SHALL HAVE ECCENTRIC CONES. NO FLAT TOP MANHOLES ARE ALLOWED.
(12) ALL INCIDENTAL ITEMS REQUIRED FOR CONSTRUCTING WING WALLS AND CONCRETE BOTTOM SHALL BE INCLUDED IN THE COST OF CONCRETE CLASS D.
(13) PIPE SECTIONS ON THE INSIDE OF MANHOLES OR INLETS WITH ANGLES THAT ARE NOT PERPENDICULAR TO THE STRUCTURE WALLS SHALL HAVE THE PIPE SECTIONS SAWCUT FLUSH TO THE INSIDE WALL. ALL INCIDENTAL ITEMS REQUIRED FOR CUTTING OPERATIONS SHALL BE INCLUDED IN THE COST OF THE PIPE.

Print Date: 6/15/2010
Drawing File Name: 06193TAB02.dgn
Horiz. Scale: 1:1
Unit Information

Sheet Revisions table with columns: Date, Comments, Init.
Revisions include: 6-15-10 IRRIGATION REDESIGN CDT

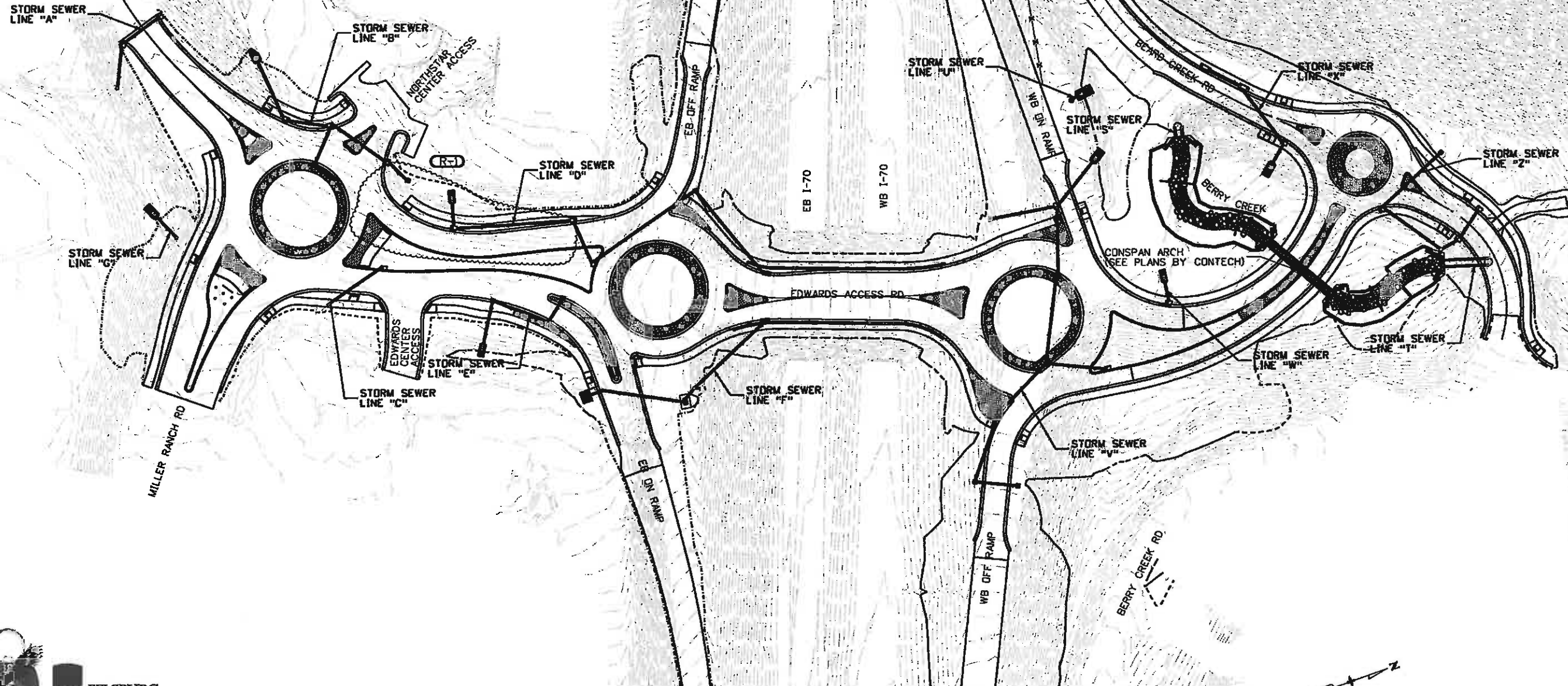
Colorado Department of Transportation
714 Grand Avenue, P.O. Box 298
Eagle, CO 81631
Phone: 970-328-6385 FAX: 970-328-2368
Region 3 MLM

As Constructed
EDWARDS INTERCHANGE UPGRADE
EDWARDS ACCESS RD
DRAINAGE TABULATION
Revised: 6-6-2011
Designers: CDT
Detailers: RSA
Sheet Subset: DRAINAGE
Subset Sheets: DT-2 of 3

Project No./Code
ES3 0702-297
17303
Sheet Number 107X-IR

811

Know what's below. Call before you dig.



FELSBURG
HOLT &
ULLEVIG

Print Date: 5/10/2010
Drawing File Name: 06193MAP00.dgn
Horiz. Scale: 1:115
Vert. Scale: As Noted
Unit Information
Unit Leader Initials

Sheet Revisions			
Date:	Comments	Init.	
5/10/10	REVISED SB ENTRANCE TO MRR ROUNDABOUT	DKH	

Colorado Department of Transportation
714 Grand Avenue, P.O. Box 298
Eagle, CO 81631
Phone: 970-328-6385 FAX: 970-328-2368
Region 3 MLM

As Constructed
No Revisions: 6-6-2011
Revised:
Void:

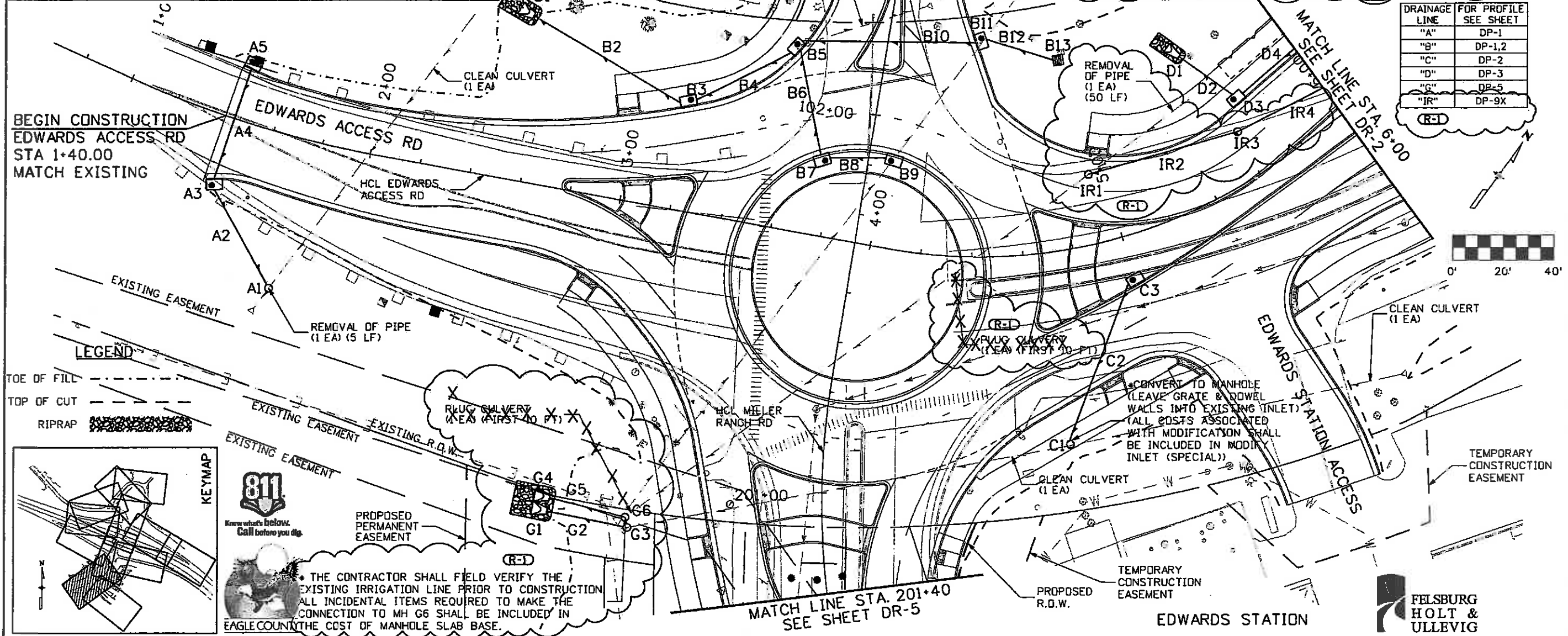
EDWARDS INTERCHANGE UPGRADE
STORM SEWER
VICINITY MAP
Designer: CDT
Detailer: RSA
Sheet Subset: DRAINAGE
Structure Numbers
Subset Sheets: DM-1 of 1

Project No./Code
ES3 0702-297
17303
Sheet Number 109X

IRRIGATION Overflow Pipe

I.D.	NORTHING, EASTING	ITEM	LENGTH	PAY DEPTH	MISC. NOTES
A1	N-62631.89, E-93353.22	MANHOLE SLAB BASE		10 FT.	
A2		18" RCP	44'		
A3	N-62654.48, E-93310.13	INLET TYPE R	L5	10 FT.	
A4		18" RCP	46'		
A5	N-62698.02, E-93296.56	INLET TYPE R	L5	5 FT.	
B1	N-62780.70, E-93375.18	24" RCES, RIPRAP			SEE SHEET DD-1
B2		24" RCP	68'		
B3	N-62787.45, E-93445.92	INLET TYPE R	L5	10 FT.	
B4		24" RCP	42'		
B5	N-62830.95, E-93468.18	INLET TYPE R	L5	10 FT.	
B6		18" RCP	43'		
B7	N-62802.19, E-93498.94	INLET TYPE R	L5	5 FT.	
B8		18" RCP	22'		
B9	N-62819.20, E-93522.80	INLET TYPE R	L5	5 FT.	
B10		18" RCP	69'		
B11	N-62873.46, E-93522.06	INLET TYPE R	L5	5 FT.	
B12		18" RCP	29'		
B13	N-62886.75, E-93552.33	INLET TYPE C		5 FT.	

I.D.	NORTHING, EASTING	ITEM	LENGTH	PAY DEPTH	MISC. NOTES
*C1	N-62766.38, E-93646.17	MODIFY INLET (SPECIAL)			
C2		18" RCP	68'		
C3	N-62833.49, E-93630.46	INLET TYPE R	L5	5 FT.	
D1	N-62915.94, E-93590.31	18" RCES, RIPRAP			SEE SHEET DD-1
D2		18" RCP	26'		
D3	N-62915.07, E-93620.50	INLET TYPE R	L5	5 FT.	
D4		18" RCP	139'		
G1	N-62625.04, E-93494.74	24" RCES, RIPRAP			SEE SHEET DD-1
G2		24" RCP	31'		
G3	N-62638.30, E-93524.24	MANHOLE SLAB BASE		15 FT.	
G4	N-62629.96, E-93492.53	24" RCES, RIPRAP			SEE SHEET DD-1
G5		24" RCP	31'		
G6	N-62641.14, E-93521.27	MANHOLE SLAB BASE		10 FT.	*CONNECT EX. IRR.
IR1	N-62857.30, E-93588.76	MANHOLE SLAB BASE		5 FT.	*CONNECT EX. IRR.
IR2		24" RCP	61'		
IR3	N-62905.31, E-93626.45	MANHOLE SLAB BASE		10 FT.	
IR4		24" RCP	154'		



LEGEND

TOE OF FILL: - - - - -

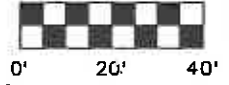
TOP OF CUT: - - - - -

RIPRAP: [Pattern]

KEYMAP

811
Know what's Below. Call before you dig.

DRAINAGE LINE	FOR PROFILE SEE SHEET
"A"	DP-1
"B"	DP-1,2
"C"	DP-2
"D"	DP-3
"G"	DP-5
"IR"	DP-9X

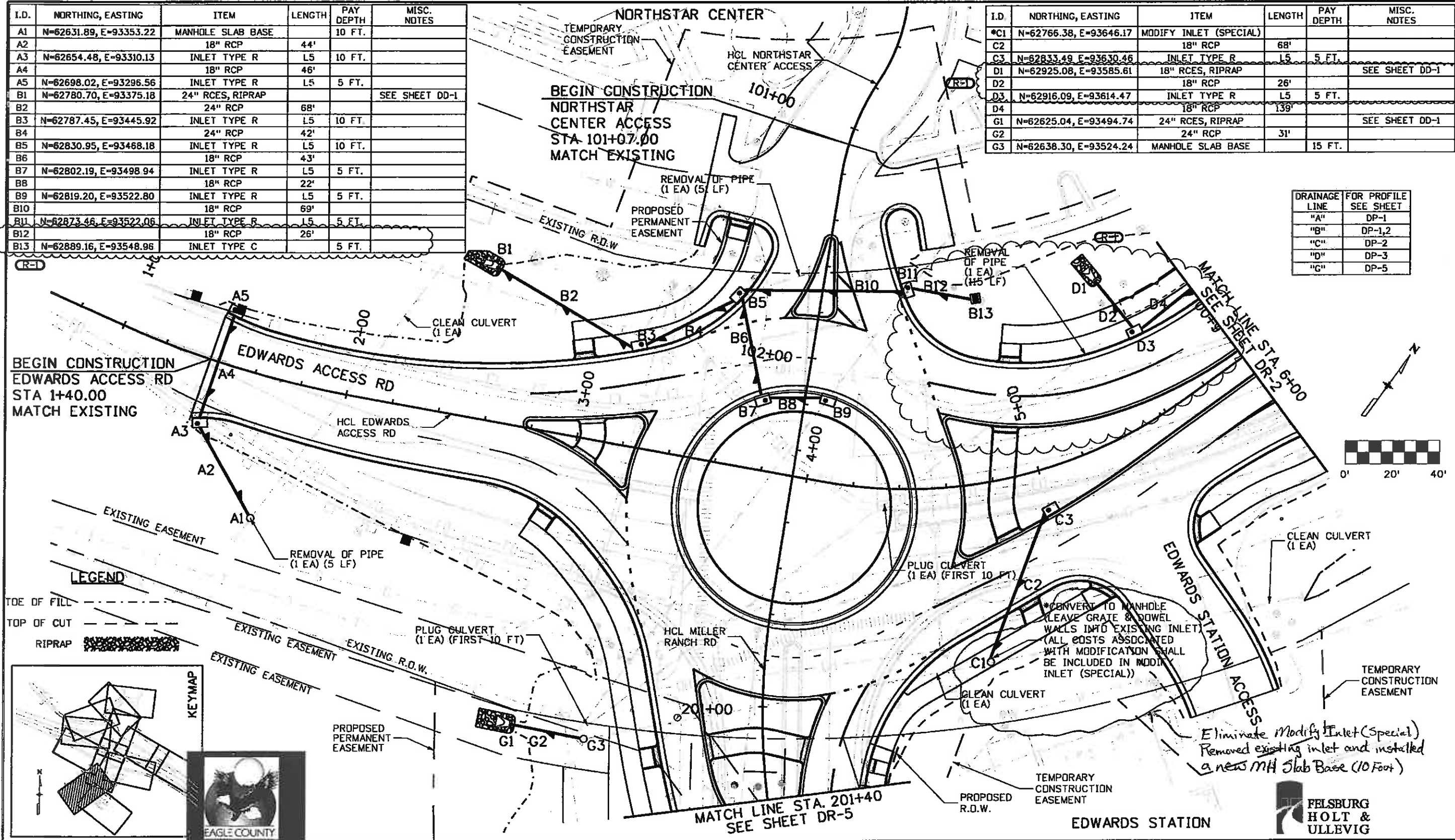


Print Date: 6/15/2010	Sheet Revisions		Colorado Department of Transportation	As Constructed	EDWARDS INTERCHANGE UPGRADE EDWARDS ACCESS RD STA 1+40 TO STA 6+00	Project No./Code
Drawing File Name: 06193PLAN01.dgn	Date: 06-15-10	Comments: IRRIGATION REDESIGN	Init.: CDT	No Revisions:		ES3 0702-297
Horiz. Scale: 1:40	Vert. Scale: As Noted	UNIT INFORMATION		Revised: 6-6-2011	Designer: CDT	17303
Unit Leader Initials		[Initials]		Void:	Detailer: RSA	Sheet Number 110X-IR
714 Grand Avenue, P.O. Box 298 Eagle, CO 81631 Phone: 970-328-6385 FAX: 970-328-2368 Region 3 MLM			Sheet Subsets: DRAINAGE Subset Sheets: DR-1 of 12		Structure Numbers Sheet Subsets: DRAINAGE Subset Sheets: DR-1 of 12	

I.D.	NORTHING, EASTING	ITEM	LENGTH	PAY DEPTH	MISC. NOTES
A1	N=62631.89, E=93353.22	MANHOLE SLAB BASE		10 FT.	
A2		18" RCP	44'		
A3	N=62654.48, E=93310.13	INLET TYPE R	L5	10 FT.	
A4		18" RCP	46'		
A5	N=62698.02, E=93296.56	INLET TYPE R	L5	5 FT.	
B1	N=62780.70, E=93375.18	24" RCES, RIPRAP			SEE SHEET DD-1
B2		24" RCP	68'		
B3	N=62787.45, E=93445.92	INLET TYPE R	L5	10 FT.	
B4		24" RCP	42'		
B5	N=62830.95, E=93468.18	INLET TYPE R	L5	10 FT.	
B6		18" RCP	43'		
B7	N=62802.19, E=93498.94	INLET TYPE R	L5	5 FT.	
B8		18" RCP	22'		
B9	N=62819.20, E=93522.80	INLET TYPE R	L5	5 FT.	
B10		18" RCP	69'		
B11	N=62873.46, E=93522.06	INLET TYPE R	L5	5 FT.	
B12		18" RCP	26'		
B13	N=62889.16, E=93548.96	INLET TYPE C		5 FT.	

I.D.	NORTHING, EASTING	ITEM	LENGTH	PAY DEPTH	MISC. NOTES
*C1	N=62766.38, E=93646.17	MODIFY INLET (SPECIAL)			
C2		18" RCP	68'		
C3	N=62833.49, E=93630.46	INLET TYPE R	L5	5 FT.	
D1	N=62925.08, E=93585.61	18" RCES, RIPRAP			SEE SHEET DD-1
D2		18" RCP	26'		
D3	N=62916.09, E=93614.47	INLET TYPE R	L5	5 FT.	
D4		18" RCP	139'		
G1	N=62625.04, E=93494.74	24" RCES, RIPRAP			SEE SHEET DD-1
G2		24" RCP	31'		
G3	N=62638.30, E=93524.24	MANHOLE SLAB BASE		15 FT.	

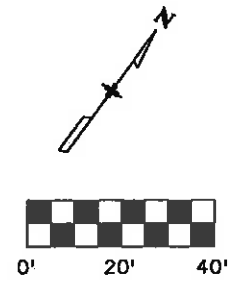
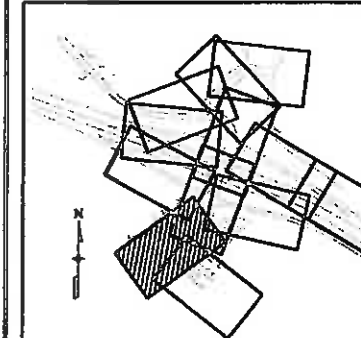
DRAINAGE LINE	FOR PROFILE SEE SHEET
"A"	DP-1
"B"	DP-1,2
"C"	DP-2
"D"	DP-3
"G"	DP-5



(R=1)

BEGIN CONSTRUCTION EDWARDS ACCESS RD STA 1+40.00 MATCH EXISTING

LEGEND
TOE OF FILL
TOP OF CUT
RIPRAP



Print Date: 5/11/2010
Drawing File Name: 06193PLAN01.dgn
Horiz. Scale: 1:40
Unit Information

Sheet Revisions			
Date:	Comments	Init.	
5/10/10	REVISED SB ENTRANCE TO MRR ROUNDABOUT	DKH	

Colorado Department of Transportation
714 Grand Avenue, P.O. Box 298
Eagle, CO 81631
Phone: 970-328-6385 FAX: 970-328-2368
Region 3 MLM

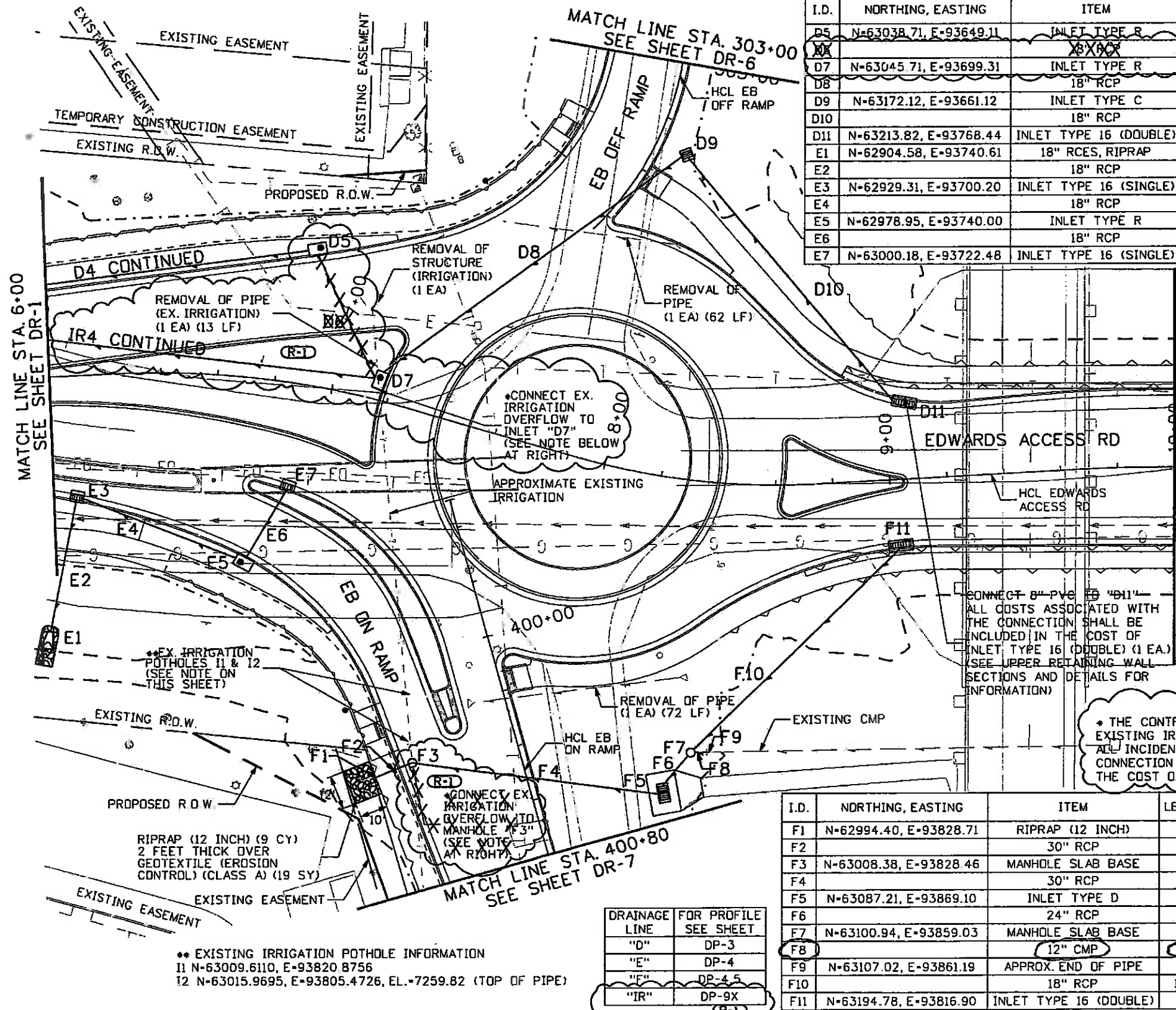
As Constructed
No Revisions:
Revised: 6-6-2011
Void:

EDWARDS INTERCHANGE UPGRADE
EDWARDS ACCESS RD
STA 1+40 TO STA 6+00
Designer: CDT
Detailer: RSA
Sheet Subset: DRAINAGE
Subset Sheets: DR-1 of 12

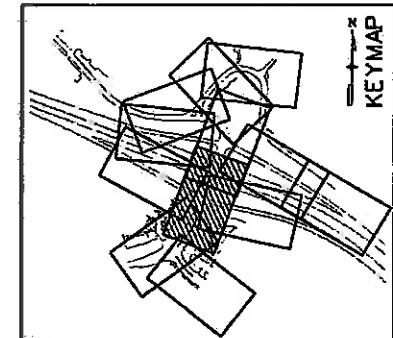
Project No./Code
ES3 0702-297
17303
Sheet Number 110X



Irrigation Overflow

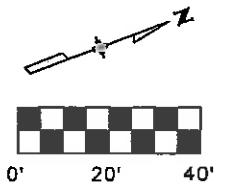


I.D.	NORTHING, EASTING	ITEM	LENGTH	PAY DEPTH	MISC. NOTES
D5	N-63038.71, E-93649.11	INLET TYPE R	L5	5 FT.	
D7	N-63045.71, E-93699.31	INLET TYPE R	L5	15 FT.	CONNECT EX. IRRIGATION
D8		18" RCP	129'		
D9	N-63172.12, E-93661.12	INLET TYPE C		5 FT.	
D10		18" RCP	115'		
D11	N-63213.82, E-93768.44	INLET TYPE 16 (DOUBLE)		5 FT.	SEE SHEET DD-6,7
E1	N-62904.58, E-93740.61	18" RCES, RIPRAP			SEE SHEET DD-1
E2		18" RCP	48'		
E3	N-62929.31, E-93700.20	INLET TYPE 16 (SINGLE)		5 FT.	SEE SHEET DD-5
E4		18" RCP	59'		
E5	N-62978.95, E-93740.00	INLET TYPE R	L5	5 FT.	
E6		18" RCP	28'		
E7	N-63000.18, E-93722.48	INLET TYPE 16 (SINGLE)		5 FT.	SEE SHEET DD-5



LEGEND

- TOE OF FILL - - - - -
 - TOP OF CUT - - - - -
 - RIPRAP [hatched pattern]
- EX. IRRIGATION POTHOLES 11 & 12 (SEE NOTE ON THIS SHEET)
 RIPRAP (12 INCH) (9 CY)
 2 FEET THICK OVER GEOTEXTILE (EROSION CONTROL) (CLASS A) (19 SY)



** EXISTING IRRIGATION POTHOLE INFORMATION
 11 N-63009.6110, E-93820.8756
 12 N-63015.9695, E-93805.4726, EL.-7259.82 (TOP OF PIPE)

DRAINAGE LINE	FOR PROFILE SEE SHEET
"D"	DP-3
"E"	DP-4
"F"	DP-4.5
"IR"	DP-9X

I.D.	NORTHING, EASTING	ITEM	LENGTH	PAY DEPTH	MISC. NOTES
F1	N-62994.40, E-93828.71	RIPRAP (12 INCH)			SEE SHEET DD-1
F2		30" RCP	14'		
F3	N-63008.38, E-93828.46	MANHOLE SLAB BASE		10 FT.	CONNECT EX. IRRIGATION
F4		30" RCP	87'		
F5	N-63087.21, E-93869.10	INLET TYPE D		5 FT.	
F6		24" RCP	14'		
F7	N-63100.94, E-93859.03	MANHOLE SLAB BASE		5 FT.	
F8		12" CMP	5'		
F9	N-63107.02, E-93861.19	APPROX. END OF PIPE			CONNECT TO EX. 12" CMP
F10		18" RCP	102'		
F11	N-63194.78, E-93816.90	INLET TYPE 16 (DOUBLE)		5 FT.	SEE SHEET DD-6,7

* THE CONTRACTOR SHALL FIELD VERIFY THE EXISTING IRRIGATION LINE PRIOR TO CONSTRUCTION ALL INCIDENTAL ITEMS REQUIRED TO MAKE THE CONNECTION TO INLET D7 SHALL BE INCLUDED IN THE COST OF INLET TYPE R L5 (15 FT.).

Print Date: 6/15/2010
Drawing File Name: 06193PLAN02.dgn
Horiz. Scale: 1:40
Unit Information

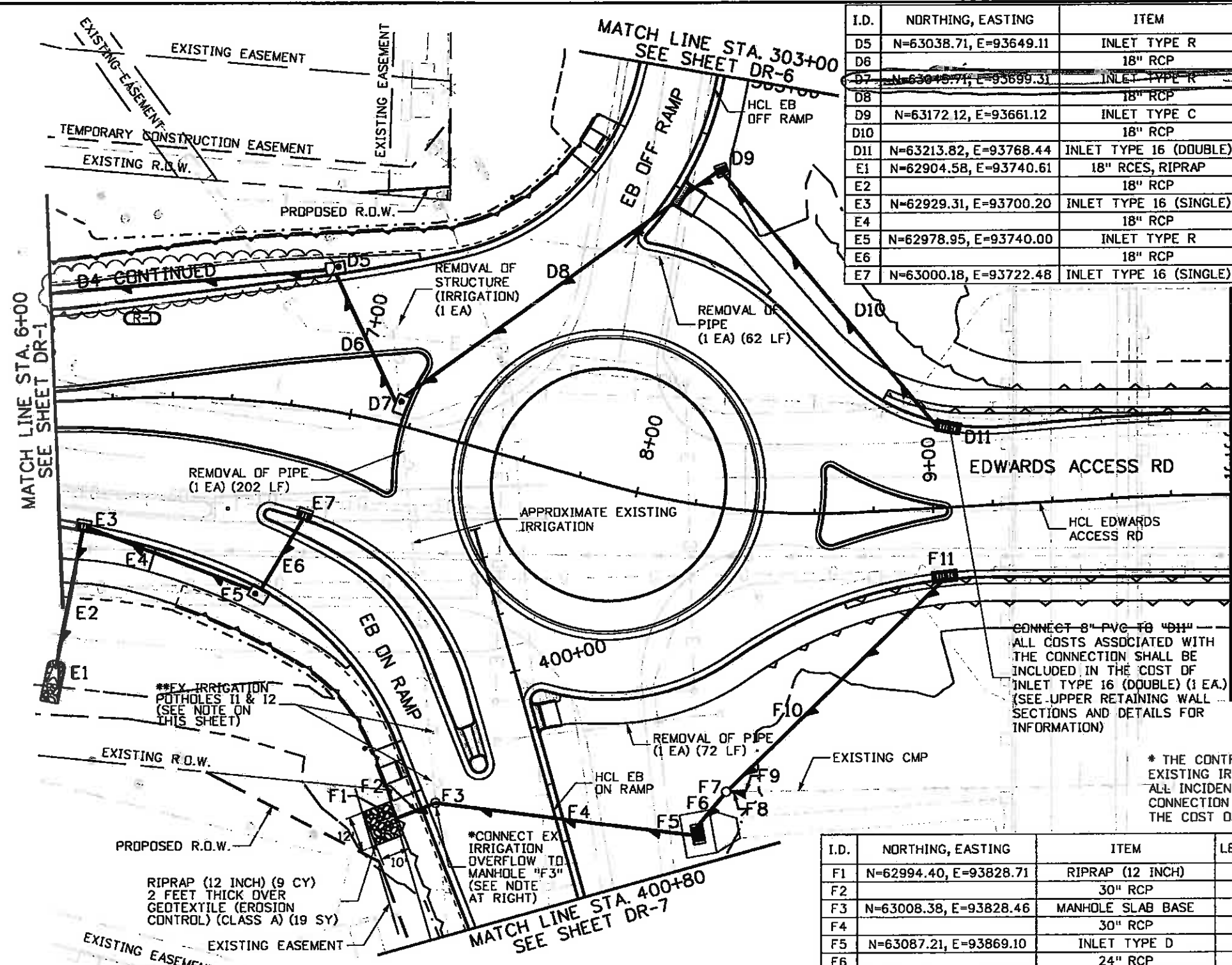
Sheet Revisions		
Date	Comments	Init.
06-15-10	IRRIGATION REDESIGN	CDT

Colorado Department of Transportation
 714 Grand Avenue, P.O. Box 298
 Eagle, CO 81631
 Phone: 970-328-6385 FAX: 970-328-2368
 Region 3 MLM

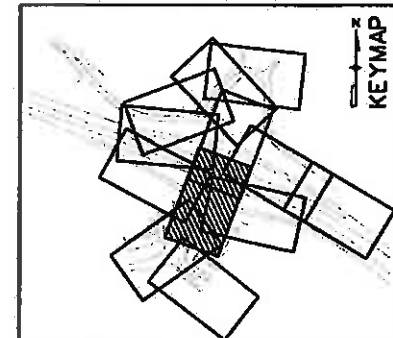
As Constructed
No Revisions:
Revised: 6-6-2011
Void:

EDWARDS INTERCHANGE UPGRADE	
EDWARDS ACCESS RD	
STA 6+00 TO STA 10+00	
Designer: CDT	Structure Numbers
Detailer: RSA	
Sheet Subset: DRAINAGE	Subset Sheets: DR-2 of 12

Project No./Code	ES3 0702-297
	17303
Sheet Number	111X-IR

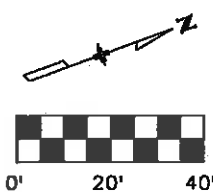


I.D.	NORTHING, EASTING	ITEM	LENGTH	PAY DEPTH	MISC. NOTES
D5	N=63038.71, E=93649.11	INLET TYPE R	L5	5 FT.	
D6		18" RCP	48'		
D7	N=63048.71, E=93699.31	INLET TYPE R	L8	5 FT.	Superseded
D8		18" RCP	129'		
D9	N=63172.12, E=93661.12	INLET TYPE C		5 FT.	
D10		18" RCP	115'		
D11	N=63213.82, E=93768.44	INLET TYPE 16 (DOUBLE)		5 FT.	SEE SHEET DD-6,7
E1	N=62904.58, E=93740.61	18" RCES, RIPRAP			SEE SHEET DD-1
E2		18" RCP	48'		
E3	N=62929.31, E=93700.20	INLET TYPE 16 (SINGLE)		5 FT.	SEE SHEET DD-5
E4		18" RCP	59'		
E5	N=62978.95, E=93740.00	INLET TYPE R	L5	5 FT.	
E6		18" RCP	28'		
E7	N=63000.18, E=93722.48	INLET TYPE 16 (SINGLE)		5 FT.	SEE SHEET DD-5



LEGEND

- TOE OF FILL - - - - -
- TOP OF CUT - - - - -
- RIPRAP [hatched pattern]



**** EXISTING IRRIGATION POTHOLE INFORMATION**
 I1 N=63009.6110, E=93820.8756
 I2 N=63015.9695, E=93805.4726, EL.=7259.82 (TOP OF PIPE)

DRAINAGE LINE	FOR PROFILE SEE SHEET
"D"	DP-3
"E"	DP-4
"F"	DP-4,5

I.D.	NORTHING, EASTING	ITEM	LENGTH	PAY DEPTH	MISC. NOTES
F1	N=62994.40, E=93828.71	RIPRAP (12 INCH)			SEE SHEET DD-1
F2		30" RCP	14'		
F3	N=63008.38, E=93828.46	MANHOLE SLAB BASE		10 FT.	CONNECT EX. IRRIGATION
F4		30" RCP	87'		
F5	N=63087.21, E=93869.10	INLET TYPE D		5 FT.	
F6		24" RCP	14'		
F7	N=63100.94, E=93859.03	MANHOLE SLAB BASE		5 FT.	
F8		12" CMP	5'		
F9	N=63107.02, E=93861.19	APPROX. END OF PIPE			CONNECT TO EX. 12" CMP
F10		18" RCP	102'		
F11	N=63194.78, E=93816.90	INLET TYPE 16 (DOUBLE)		5 FT.	SEE SHEET DD-6,7



Print Date: 5/11/2010
 Drawing File Name: 061
 Horiz. Scale: 1:40
 Unit Information

Scale: As Noted
 Unit Leader Initials

Sheet Revisions			
Date:	Comments	Init.	
5/10/10	REVISED SB ENTRANCE TO MRR ROUNDABOUT	DKH	

Colorado Department of Transportation
 714 Grand Avenue, P.O. Box 298
 Eagle, CO 81631
 Phone: 970-328-6385 FAX: 970-328-2368
 Region 3 MLM

As Constructed
 No Revisions:
 Revised: 6-6-2011
 Void:

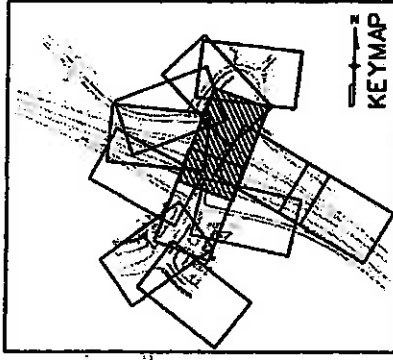
EDWARDS INTERCHANGE UPGRADE
EDWARDS ACCESS RD
STA 6+00 TO STA 10+00

Designer: CDT
 Detailer: RSA
 Sheet Subset: DRAINAGE
 Subset Sheets: DR-2 of 12

Project No./Code
 ES3 0702-297
 17303
 Sheet Number 111X

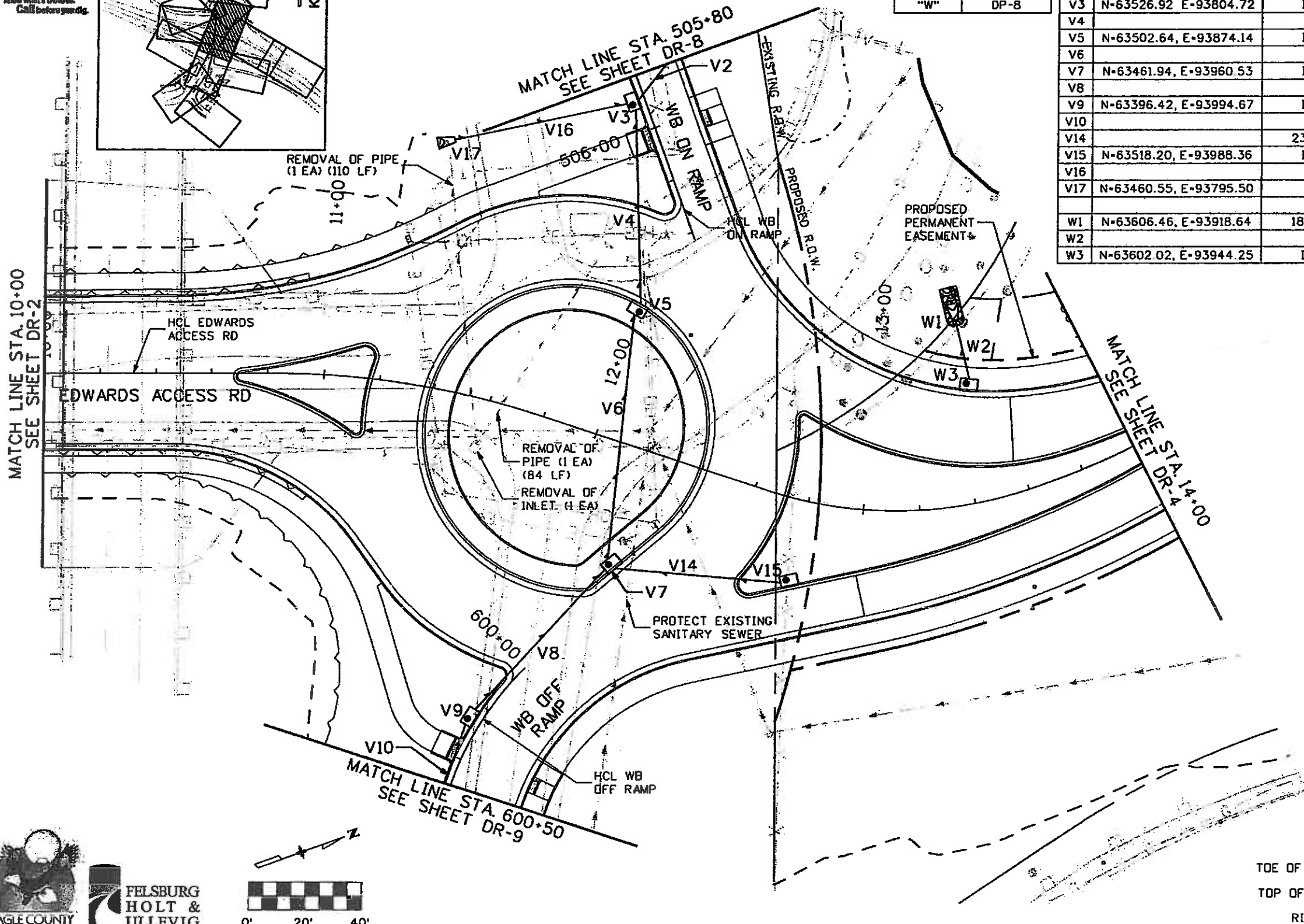


Know what's below. Call before you dig.



DRAINAGE LINE	FDR PROFILE SEE SHEET
"V"	DP-6,7
"W"	DP-8

I.D.	NORTHING, EASTING	ITEM	LENGTH	PAY DEPTH	MISC. NOTES
V2		24" RCP	61'		
V3	N-63526.92 E-93804.72	INLET TYPE R	L5	10 FT.	
V4		24" RCP	70'		
V5	N-63502.64, E-93874.14	INLET TYPE R	L5	10 FT.	
V6		24" RCP	89'		
V7	N-63461.94, E-93960.53	INLET TYPE R	L5	10 FT.	
V8		18" RCP	69'		
V9	N-63396.42, E-93994.67	INLET TYPE R	L5	5 FT.	
V10		18" RCP	73'		
V14		23"X14" RCPE HE	60'		
V15	N-63518.20, E-93988.36	INLET TYPE R	L5	5 FT.	
V16		18" RCP	63'		
V17	N-63460.55, E-93795.50	18" RCES			
W1	N-63606.46, E-93918.64	18" RCES, RIPRAP			SEE SHEET DD-1
W2		18" RCP	22'		
W3	N-63602.02, E-93944.25	INLET TYPE R	L5	5 FT.	

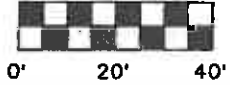


LEGEND

- TOE OF FILL - - - - -
- TOP OF CUT - - - - -
- RIPRAP [hatched pattern]



FELSBURG HOLT & ULLEVIG



Print Date: 11/4/2009
Drawing File Name: 06193PLAN03.dgn
Horiz. Scale: 1:40
Unit Information
Verl. Scale: As Noted
Unit Leader Initials

Sheet Revisions		
Date:	Comments	Init.

Colorado Department of Transportation

714 Grand Avenue, P.D. Box 298
Eagle, CO 81631
Phone: 970-328-6385 FAX: 970-328-2368

Region 3 MLM

As Constructed
No Revisions: 6-6-2011
Revised:
Void:

EDWARDS INTERCHANGE UPGRADE EDWARDS ACCESS RD STA 10+00 TO STA 14+00	
Designer: CDT	Structure Numbers
Detailer: RSA	
Sheet Subset: DRAINAGE	Subset Sheets: DR-3 of 12

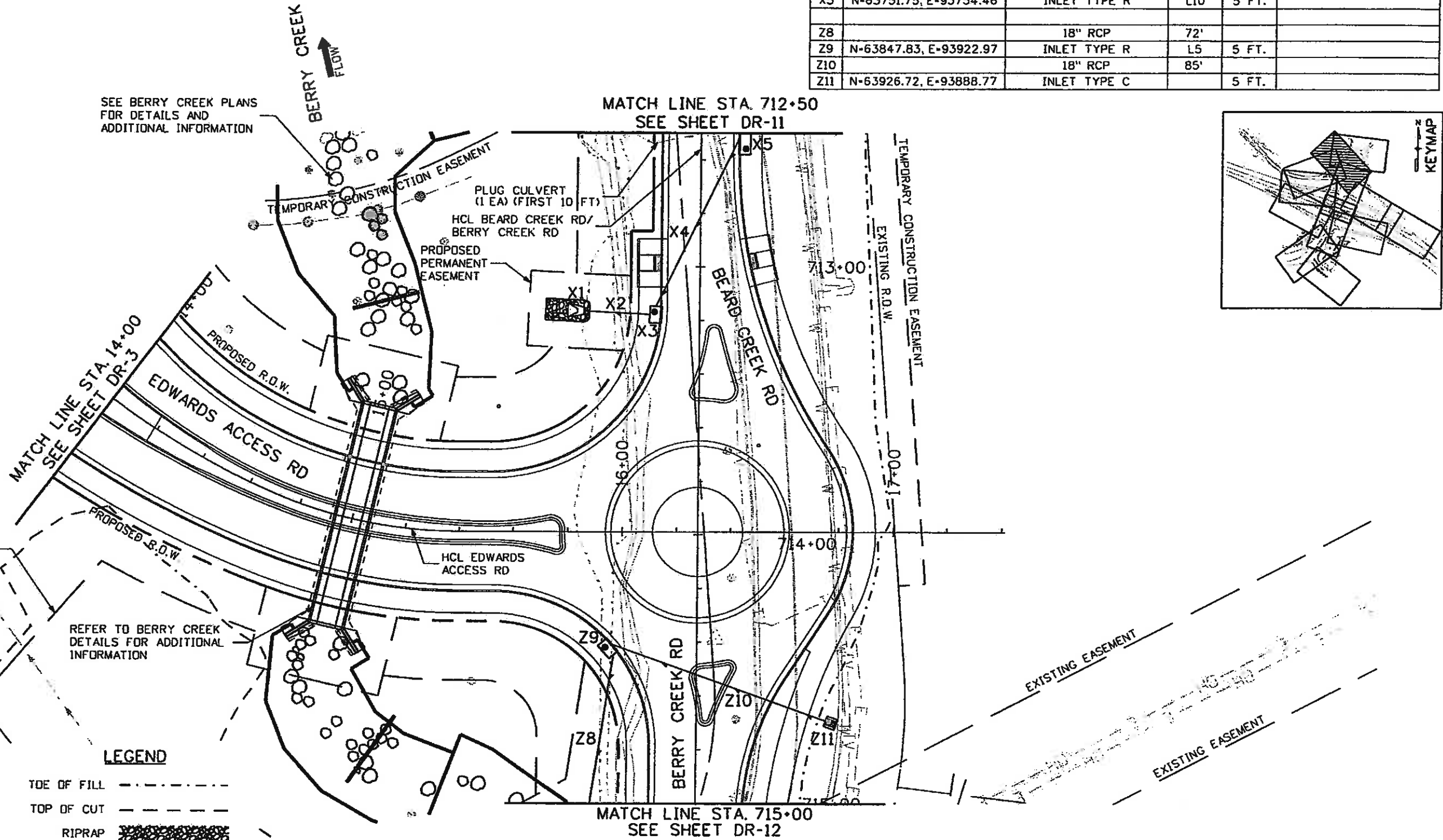
Project No./Code
ES3 0702-297
17303
Sheet Number 112



Know what's below.
Call before you dig.

DRAINAGE LINE	FOR PROFILE SEE SHEET
"X"	DP-8
"Z"	DP-9

I.D.	NORTHING, EASTING	ITEM	LENGTH	PAY DEPTH	MISC. NOTES
X1	N-63754.39, E-93840.05	24" RCES, RIPRAP			SEE SHEET DD-2
X2		24" RCP	25'		
X3	N-63776.16, E-93821.56	INLET TYPE R	L5	10 FT.	
X4		24" RCP	70'		
X5	N-63751.75, E-93754.46	INLET TYPE R	L10	5 FT.	
Z8		18" RCP	72'		
Z9	N-63847.83, E-93922.97	INLET TYPE R	L5	5 FT.	
Z10		18" RCP	85'		
Z11	N-63926.72, E-93888.77	INLET TYPE C		5 FT.	



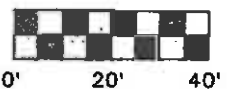
SEE BERRY CREEK PLANS FOR DETAILS AND ADDITIONAL INFORMATION

MATCH LINE STA. 712+50
SEE SHEET DR-11

MATCH LINE STA. 14+00
SEE SHEET DR-3

MATCH LINE STA. 715+00
SEE SHEET DR-12

REFER TO BERRY CREEK DETAILS FOR ADDITIONAL INFORMATION



LEGEND

- TOE OF FILL - - - - -
- TOP OF CUT - - - - -
- RIPRAP [Symbol]



Print Date: 11/4/2009	
Drawing File Name: 06193PLAN04.dgn	
Horiz. Scale: 1:40.0006 Vert. Scale: As Noted	
Unit Information Unit Leader Initials	

Sheet Revisions		
Date:	Comments	Init.

Colorado Department of Transportation
 714 Grand Avenue, P.O. Box 298
 Eagle, CO 81631
 Phone: 970-328-6385 FAX: 970-328-2368
 Region 3 MLM

As Constructed
 No Revisions: 6-6-2011
 Revised:
 Void:

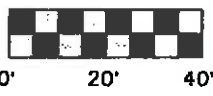
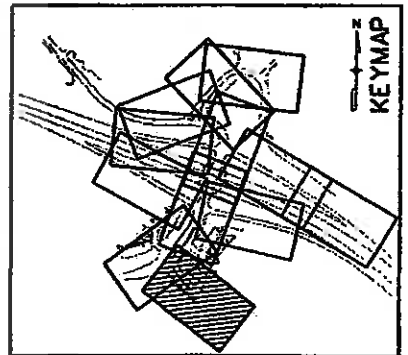
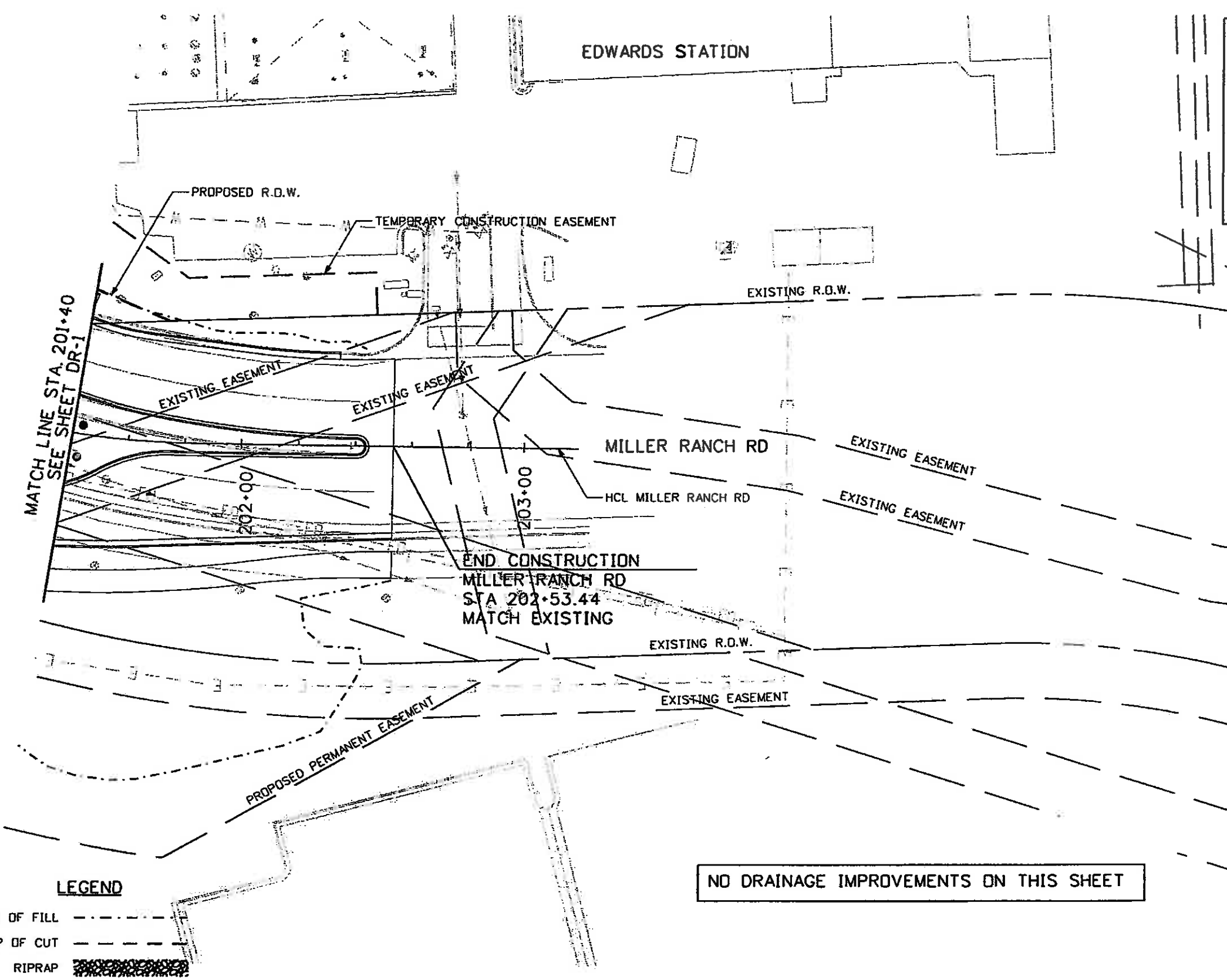
EDWARDS INTERCHANGE UPGRADE
 EDWARDS ACCESS RD/BEARD/BERRY
 STA 14+00 TO STA 715+00

Designer: CDT Structure
 Detailer: RSA Numbers
 Sheet Subset: DRAINAGE Subset Sheets: DR-4 of 12

Project No./Code
 ES3 0702-297
 17303
 Sheet Number **13**



Know what's below.
Call before you dig.



LEGEND


- TOE OF FILL - - - - -
- TOP OF CUT - - - - -
- RIPRAP [hatched pattern]

NO DRAINAGE IMPROVEMENTS ON THIS SHEET

Print Date: 11/4/2009
Drawing File Name: 06193PLAN05.dgn
Horiz. Scale: 1"=40.0017
Unit Information
Vert. Scale: As Noted
Unit Leader Initials

Sheet Revisions		
Date	Comments	Init.

Colorado Department of Transportation



714 Grand Avenue, P.O. Box 298
Eagle, CO 81631
Phone: 970-328-6385 FAX: 970-328-2368

Region 3 MLM

As Constructed
No Revisions: 6-6-2011
Revised:
Void:

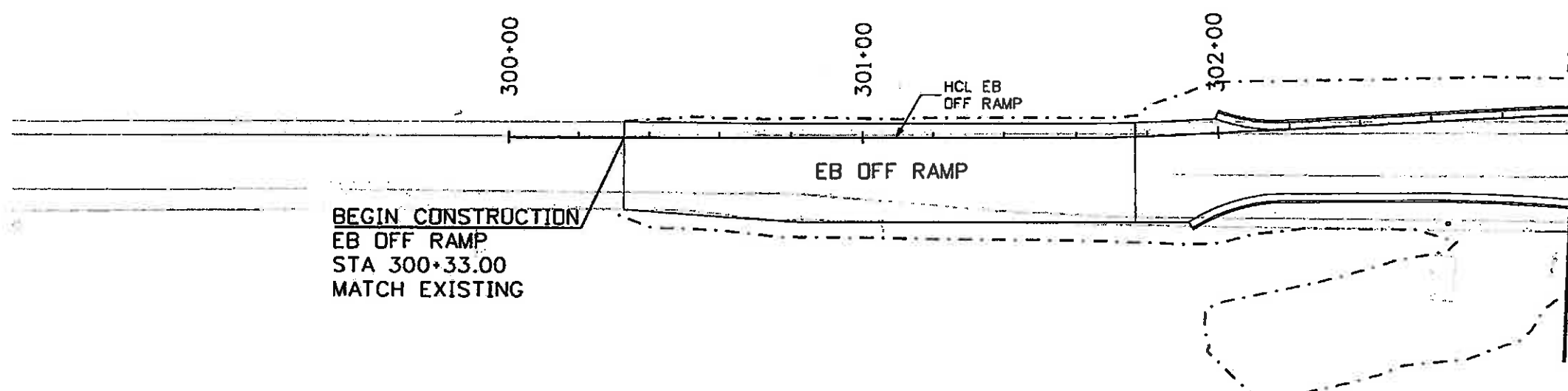
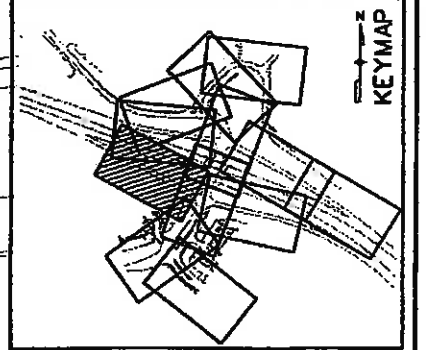
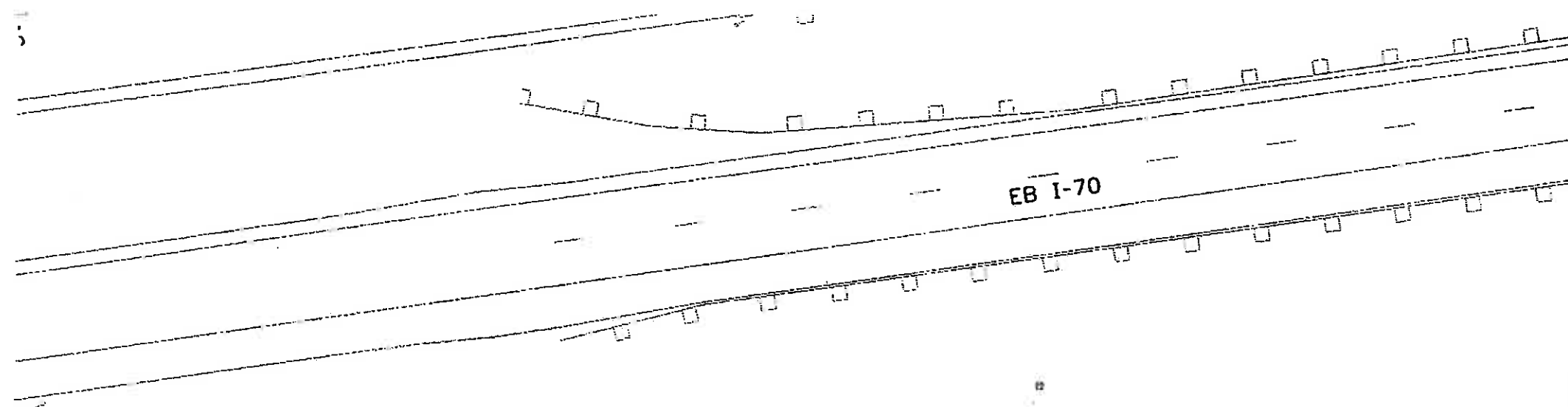
EDWARDS INTERCHANGE UPGRADE MILLER RANCH RD STA 201+40 TO 202+53.44		
Designer: CDT	Structure	
Detailer: RSA	Numbers	
Sheet Subset: DRAINAGE	Subset Sheets: DR-5 of 12	

Project No./Code
ES3 0702-297
17303
Sheet Number 114

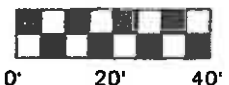
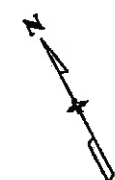


811

Know what's below.
Call before you dig.



NO DRAINAGE IMPROVEMENTS ON THIS SHEET



LEGEND

- TOE OF FILL
- TOP OF CUT
- RIPRAP



Print Date: 11/4/2009	
Drawing File Name: 06193PLAN06.dgn	
Horiz. Scale: 1:40.0013 Vert. Scale: As Noted	
Unit Information Unit Leader Initials	

Sheet Revisions		
Date:	Comments	Init.

Colorado Department of Transportation

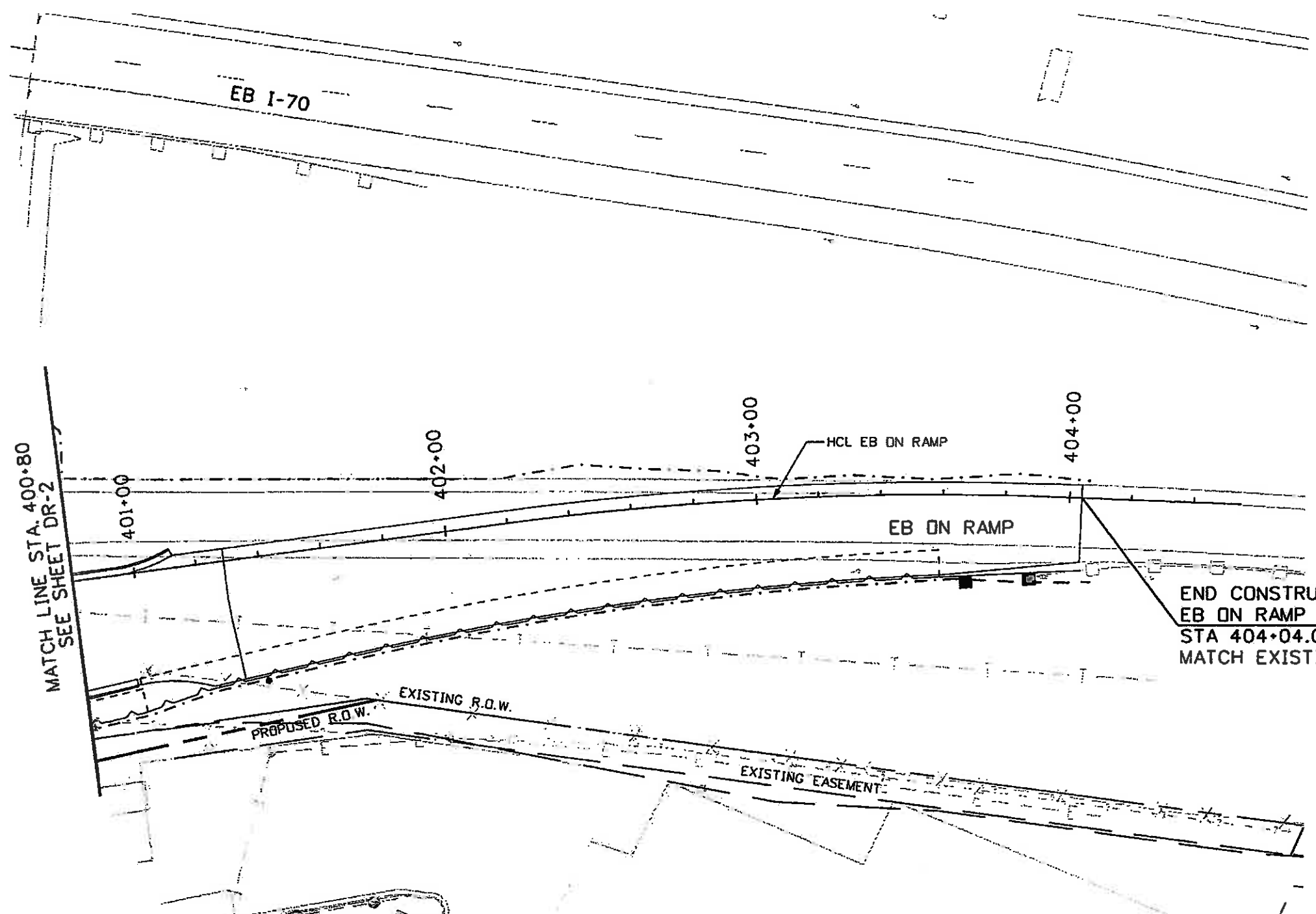
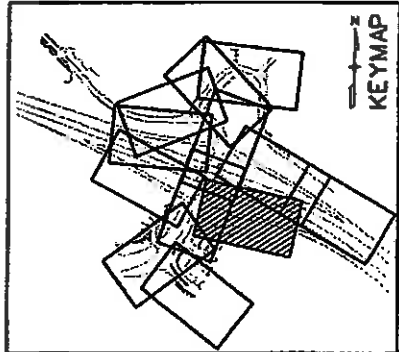
714 Grand Avenue, P.D. Box 298
Eagle, CO 81631
Phone: 970-328-6385 FAX: 970-328-2368

Region 3 MLM

As Constructed
No Revisions: 6-6-2011
Revised:
Void:

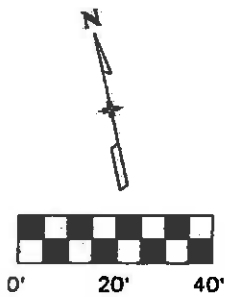
EDWARDS INTERCHANGE UPGRADE	
EB OFF RAMP	
STA 300+33 TO STA 303+00	
Designer: CDT	Structure Numbers
Detailer: RSA	
Sheet Subset: DRAINAGE	Subset Sheets: DR-6 of 12

Project No./Code	ES3 0702-297
	17303
Sheet Number	115



END CONSTRUCTION
EB ON RAMP
STA 404+04.00
MATCH EXISTING

NO DRAINAGE IMPROVEMENTS ON THIS SHEET



LEGEND

- TOE OF FILL
- TOP OF CUT
- RIPRAP



Print Date: 11/4/2009
 Drawing File Name: 06193PLAN07.dgn
 Horiz. Scale: 1:40.0021 Vert. Scale: As Noted
 Unit Information Unit Leader Initials

Sheet Revisions		
Date:	Comments	Init.

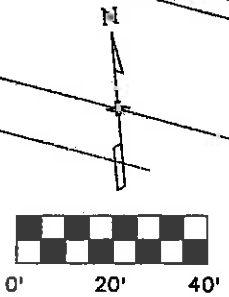
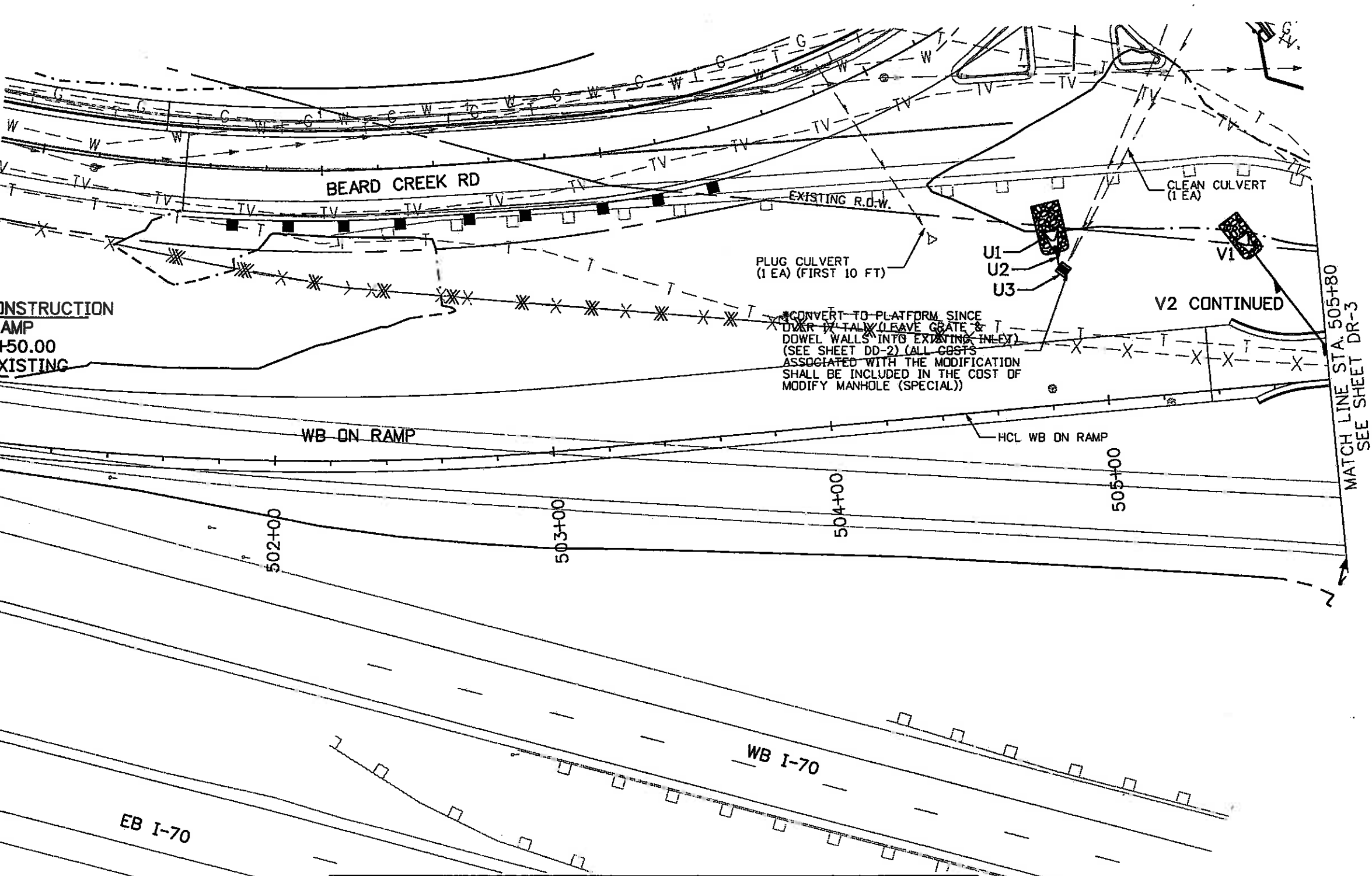
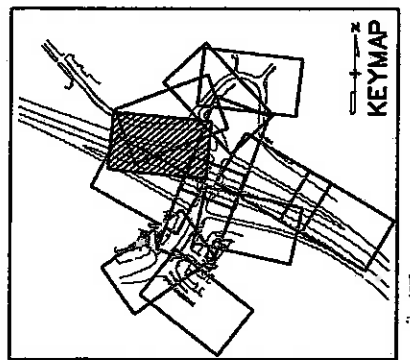
Colorado Department of Transportation

 714 Grand Avenue, P.D. Box 298
 Eagle, CO 81631
 Phone: 970-328-6385 FAX: 970-328-2368
 Region 3 MLM

As Constructed
 No Revisions: 6-6-2011
 Revised:
 Void:

EDWARDS INTERCHANGE UPGRADE
 EB ON RAMP
 STA 400+80 TO STA 404+04
 Designer: CDT
 Detailer: RSA
 Sheet Subset: DRAINAGE Subset Sheets: DR-7 of 12

Project No./Code
 E53 0702-297
 17303
 Sheet Number 116



LEGEND

- TOE OF FILL - - - - -
- TOP OF CUT - - - - -
- RIPRAP [Symbol]

DRAINAGE LINE	FOR PROFILE SEE SHEET
"U"	DP-6
"V"	DP-6

I.D.	NORTHING, EASTING	ITEM	LENGTH	PAY DEPTH	MISC. NOTES
U1	N=63585.81, E=93701.88	30" RCES, RIPRAP			SEE SHEET DD-1
U2		30" RCP	8'		
*U3	N=63577.41, E=93704.18	MODIFY MANHOLE (SPECIAL)			SEE SHEET DD-2
V1	N=63577.94, E=93772.44	24" RCES, RIPRAP			SEE SHEET DD-1



**FELSBURG
HOLT &
ULLEVIG**

Print Date: 11/12/2009	<table border="1"> <thead> <tr> <th colspan="3">Sheet Revisions</th> </tr> <tr> <th>Date:</th> <th>Comments</th> <th>Init.</th> </tr> </thead> <tbody> <tr> <td> </td> <td> </td> <td> </td> </tr> <tr> <td> </td> <td> </td> <td> </td> </tr> </tbody> </table>	Sheet Revisions			Date:	Comments	Init.						
Sheet Revisions													
Date:		Comments	Init.										
Drawing File Name: 06193PLAN08.dgn													
Horiz. Scale: 1:40.0026													
Unit Information													

Colorado Department of Transportation
 714 Grand Avenue, P.O. Box 298
 Eagle, CO 81631
 Phone: 970-328-6385 FAX: 970-328-2368
 Region 3 MLM

As Constructed
 No Revisions: 6-6-2011
 Revised:
 Void:

**EDWARDS INTERCHANGE UPGRADE
 WB OFF RAMP
 STA 500+50.00 TO 505+80**

Designer: CDT
 Detailer: RSA
 Sheet Subset: DRAINAGE

Structure Numbers
 Subset Sheets: DR-8 of 12

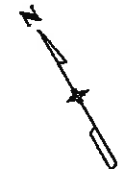
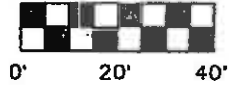
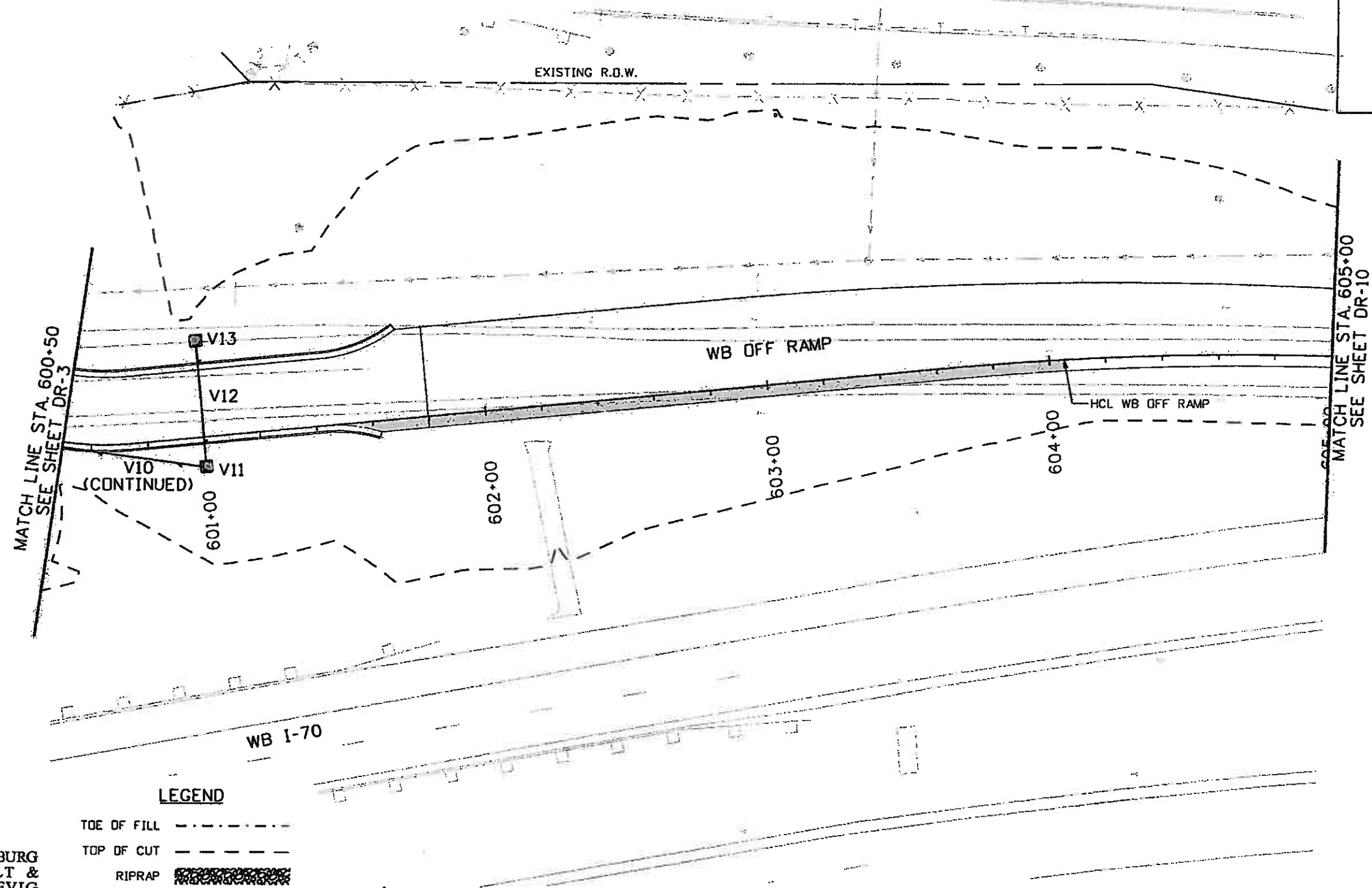
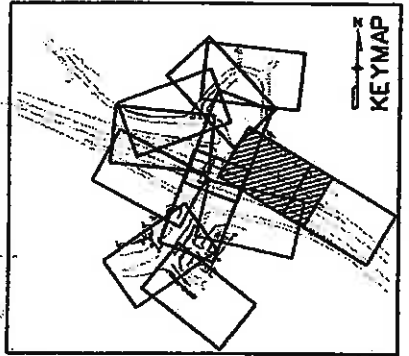
Project No./Code
 ES3 0702-297
 17303
 Sheet Number



Know what's below.
Call before you dig.

I.D.	NORTHING, EASTING	ITEM	LENGTH	PAY DEPTH	MISC. NOTES
V11	N-63347.11, E-94053.07	INLET TYPE C		5 FT.	
V12		18" RCP	42'		
V13	N-63387.88, E-94072.11	INLET TYPE C		5 FT.	

DRAINAGE LINE	FOR PROFILE SEE SHEET
"V"	DP-6



LEGEND

TOE OF FILL	-----
TOP OF CUT	-----
RIPRAP	XXXXXX



Print Date: 11/4/2009
Drawing File Name: 06193PLAN09.dgn
Horiz. Scale: 1:40.0014
Unit Information
Vert. Scale: As Noted
Unit Leader Initials

Sheet Revisions		
Date:	Comments	Init.

Colorado Department of Transportation
 714 Grand Avenue, P.O. Box 298
 Eagle, CO 81631
 Phone: 970-328-6385 FAX: 970-328-2368
 Region 3 MLM

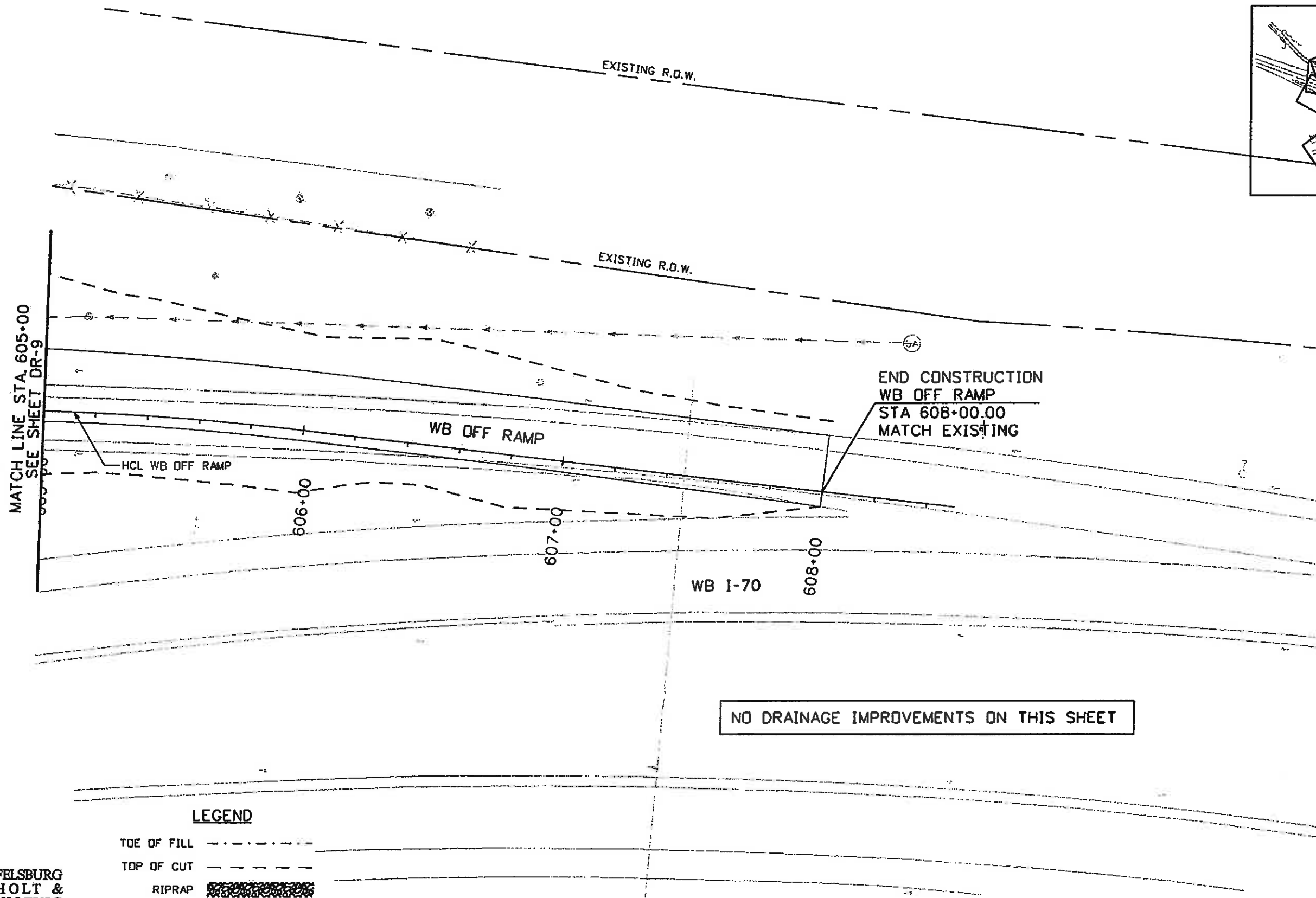
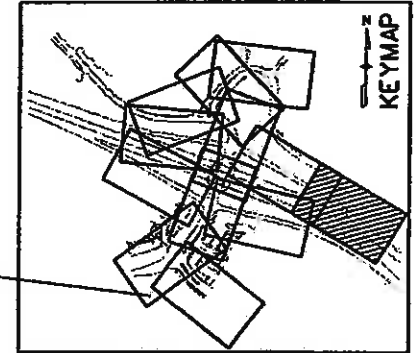
As Constructed
No Revisions: 6-6-2011
Revised:
Void:

EDWARDS INTERCHANGE UPGRADE	
WB OFF RAMP	
STA 601+00 TO STA 605+00	
Designer:	CDT
Detailer:	RSA
Sheet Subset:	DRAINAGE
Structure Numbers	
Subset Sheets:	DR-9 of 12

Project No./Code	ES3 0702-297
	17303
Sheet Number	118



Know what's below.
Call before you dig.



NO DRAINAGE IMPROVEMENTS ON THIS SHEET

LEGEND

- TOE OF FILL - - - - -
- TOP OF CUT - - - - -
- RIPRAP [hatched pattern]



FELSBURG
HOLT &
ULLEVIG

Print Date: 11/4/2009
 Drawing File Name: 06193PLAN10.dgn
 Horiz. Scale: 1:40.0014 Vert. Scale: As Noted
 Unit Information Unit Leader Initials

Sheet Revisions		
Date:	Comments	Init.

Colorado Department of Transportation
 714 Grand Avenue, P.O. Box 298
 Eagle, CO 81631
 Phone: 970-328-6385 FAX: 970-328-2368
 Region 3 MLM

As Constructed
 No Revisions: 6-6-2011
 Revised:
 Void:

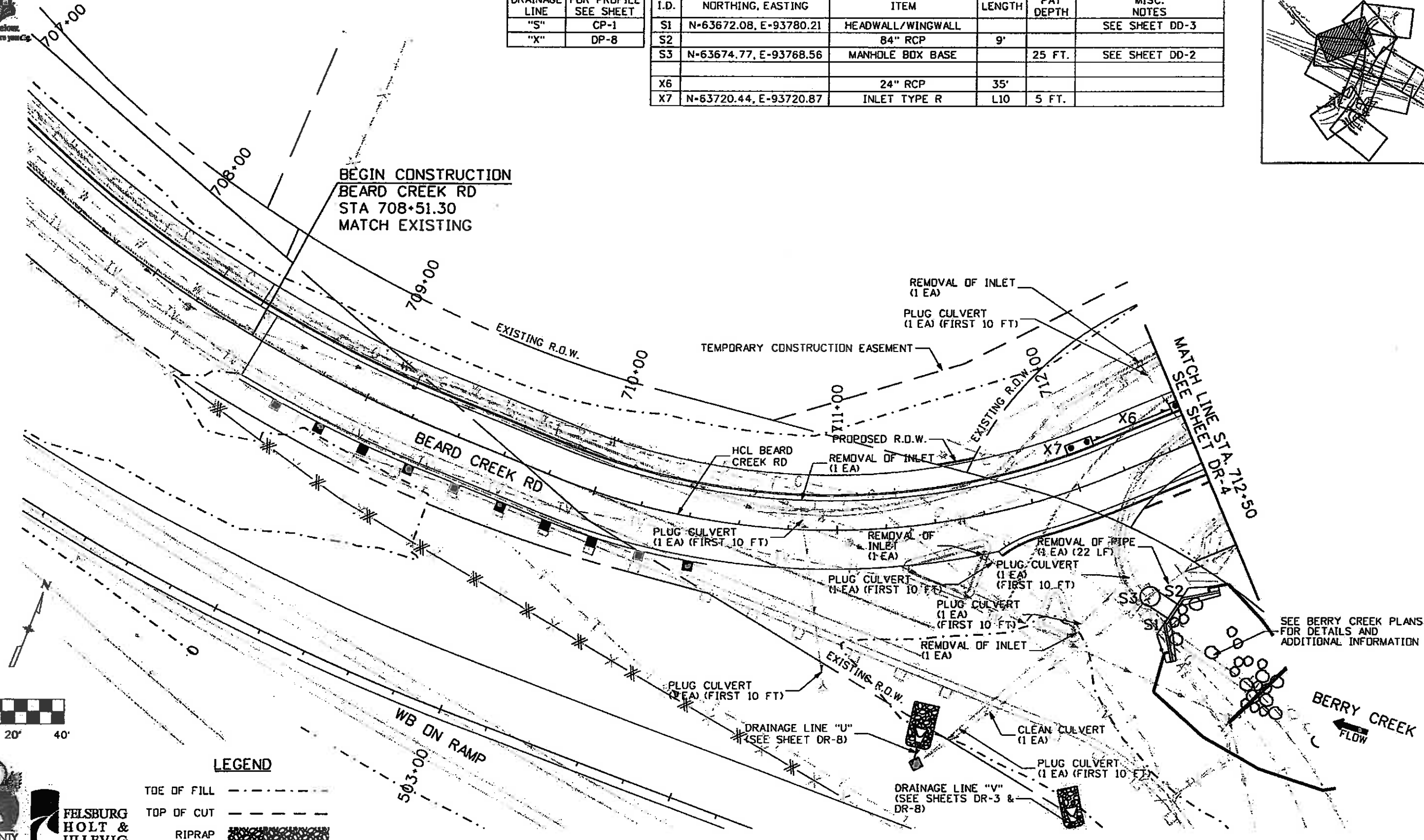
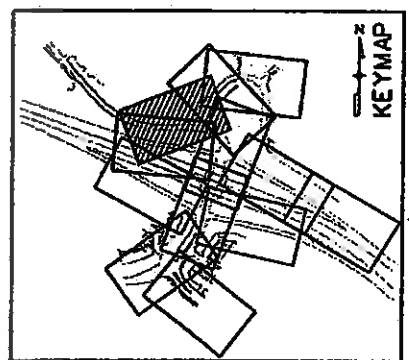
EDWARDS INTERCHANGE UPGRADE
 WB OFF RAMP
 STA 605+00 TO STA 608+00

Designer: CDT	Structure:
Detailer: RSA	Numbers:
Sheet Subset: DRAINAGE	Subset Sheets: DR-10 of 12

Project No./Code
 ES3 0702-297
 17303
 Sheet Number 119



DRAINAGE LINE	FOR PROFILE SEE SHEET	I.D.	NORTHING, EASTING	ITEM	LENGTH	PAY DEPTH	MISC. NOTES
"S"	CP-1	S1	N+63672.08, E-93780.21	HEADWALL/WINGWALL			SEE SHEET DD-3
"X"	DP-8	S2		84" RCP	9'		
		S3	N+63674.77, E-93768.56	MANHOLE BOX BASE		25 FT.	SEE SHEET DD-2
		X6		24" RCP	35'		
		X7	N+63720.44, E-93720.87	INLET TYPE R	L10	5 FT.	

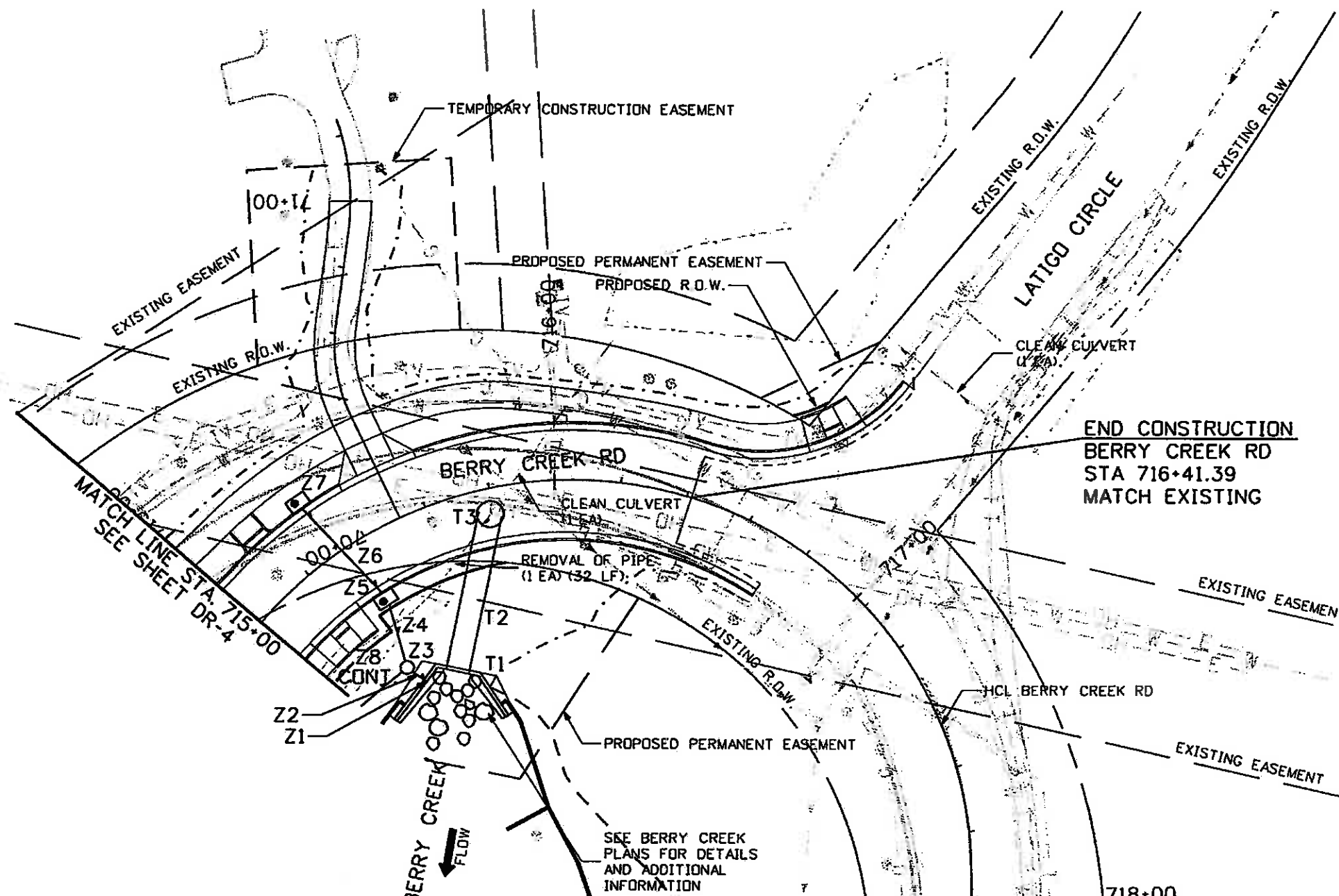
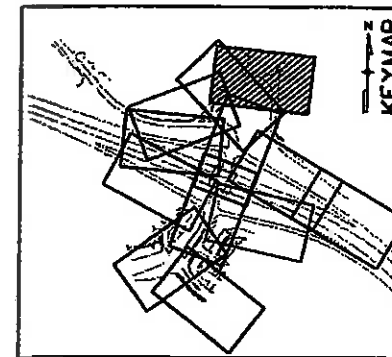


LEGEND

- TOE OF FILL
- TOP OF CUT
- RIPRAP



Print Date: 11/4/2009	Sheet Revisions		Colorado Department of Transportation		As Constructed	EDWARDS INTERCHANGE UPGRADE BEARD CREEK RD STA 708+51.30 TO 712+50		Project No./Code
Drawing File Name: 06193PLAN11.dgn	Date:	Comments	Init.	714 Grand Avenue, P.O. Box 298 Eagle, CO 81631 Phone: 970-328-6385 FAX: 970-328-2368 Region 3	No Revisions: 6-6-2011	Designer: CDT	Structure Numbers	ES3 0702-297
Horiz. Scale: 1:40.0022	Vert. Scale: As Noted				Revised:	Revised: RSA		17303
Unit Information	Unit Leader Initials				Void:	Sheet Subset: DRAINAGE	Subset Sheets: DR-11 of 12	Sheet Number 120



END CONSTRUCTION
 BERRY CREEK RD
 STA 716+41.39
 MATCH EXISTING



LEGEND

- TOE OF FILL - - - - -
- TOP OF CUT - - - - -
- RIPRAP [Symbol]

DRAINAGE LINE	FOR PROFILE SEE SHEET
"T"	CP-1
"Z"	DP-9

I.D.	NORTHING, EASTING	ITEM	LENGTH	PAY DEPTH	MISC. NOTES
T1	N-63889.77, E-94000.98	HEADWALL/WINGWALL			HEADWALL/WINGWALL SEE SHEET DD-3
Z2		84" RCP	45'		
Z3	N-63935.95, E-94015.61	MANHOLE BOX BASE		20 FT.	SEE SHEET DD-2
Z1	N-63887.76, E-93991.43	END OF PIPE			PENETRATE WINGWALL
Z2		24" RCP	6'		
Z3	N-63892.62, E-93986.14	MANHOLE SLAB BASE		10 FT.	
Z4		18" RCP	18'		
Z5	N-63915.94, E-93980.91	INLET TYPE R	L5	10 FT.	
Z6		18" RCP	35'		
Z7	N-63943.57, E-93960.33	INLET TYPE R	L5	5 FT.	



Print Date: 11/4/2009
Drawing File Name: 06193PLAN12.dgn
Horiz. Scale: 1:40.0011
Unit Information

Sheet Revisions		
Date:	Comments	Init.

Colorado Department of Transportation

714 Grand Avenue, P.O. Box 298
 Eagle, CO 81631
 Phone: 970-328-6385 FAX: 970-328-2368

Region 3 MLM

As Constructed
No Revisions: 6-6-2011
Revised:
Void:

EDWARDS INTERCHANGE UPGRADE
BERRY CREEK RD
STA 715+00 TO STA 716+41.39

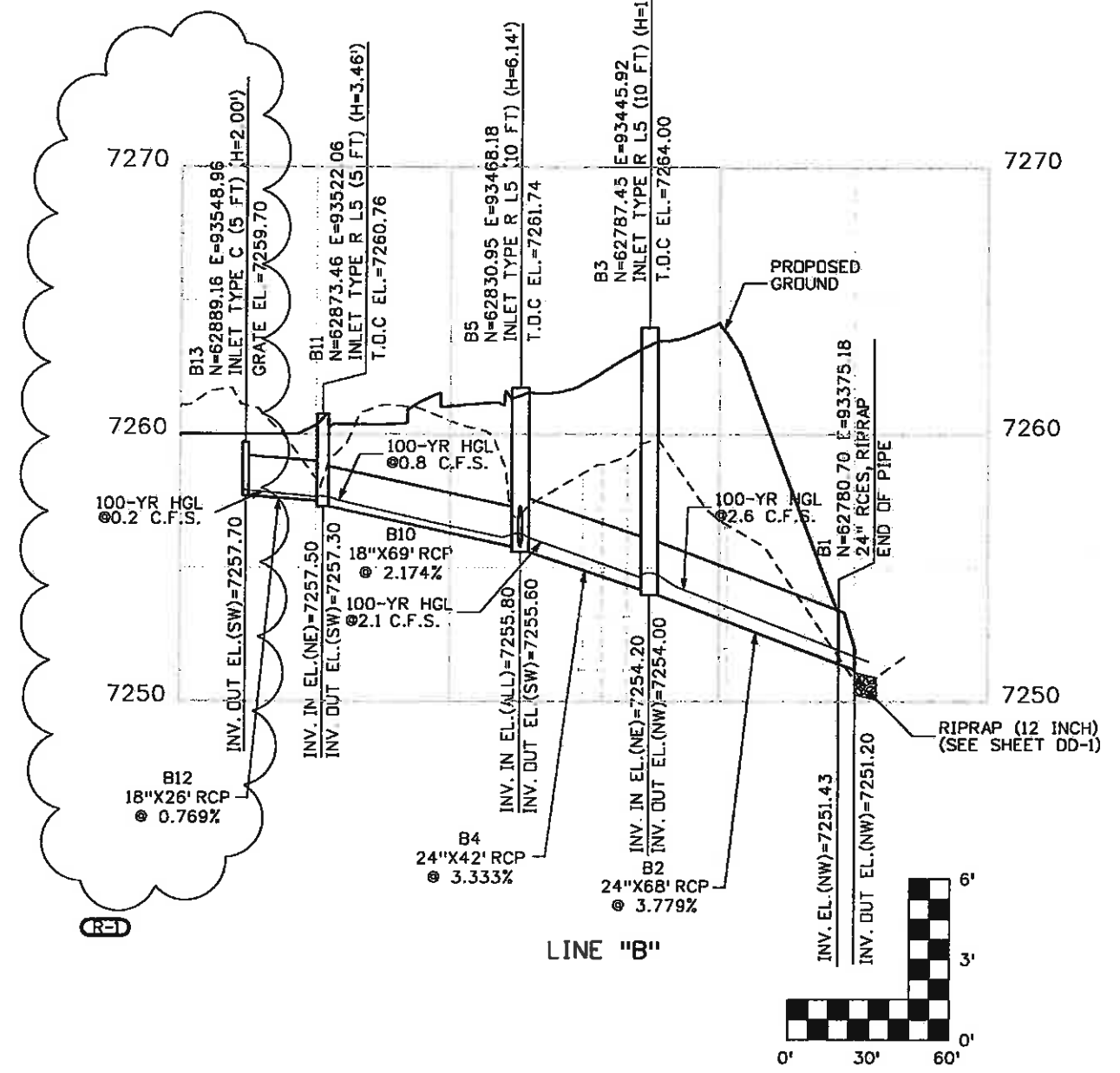
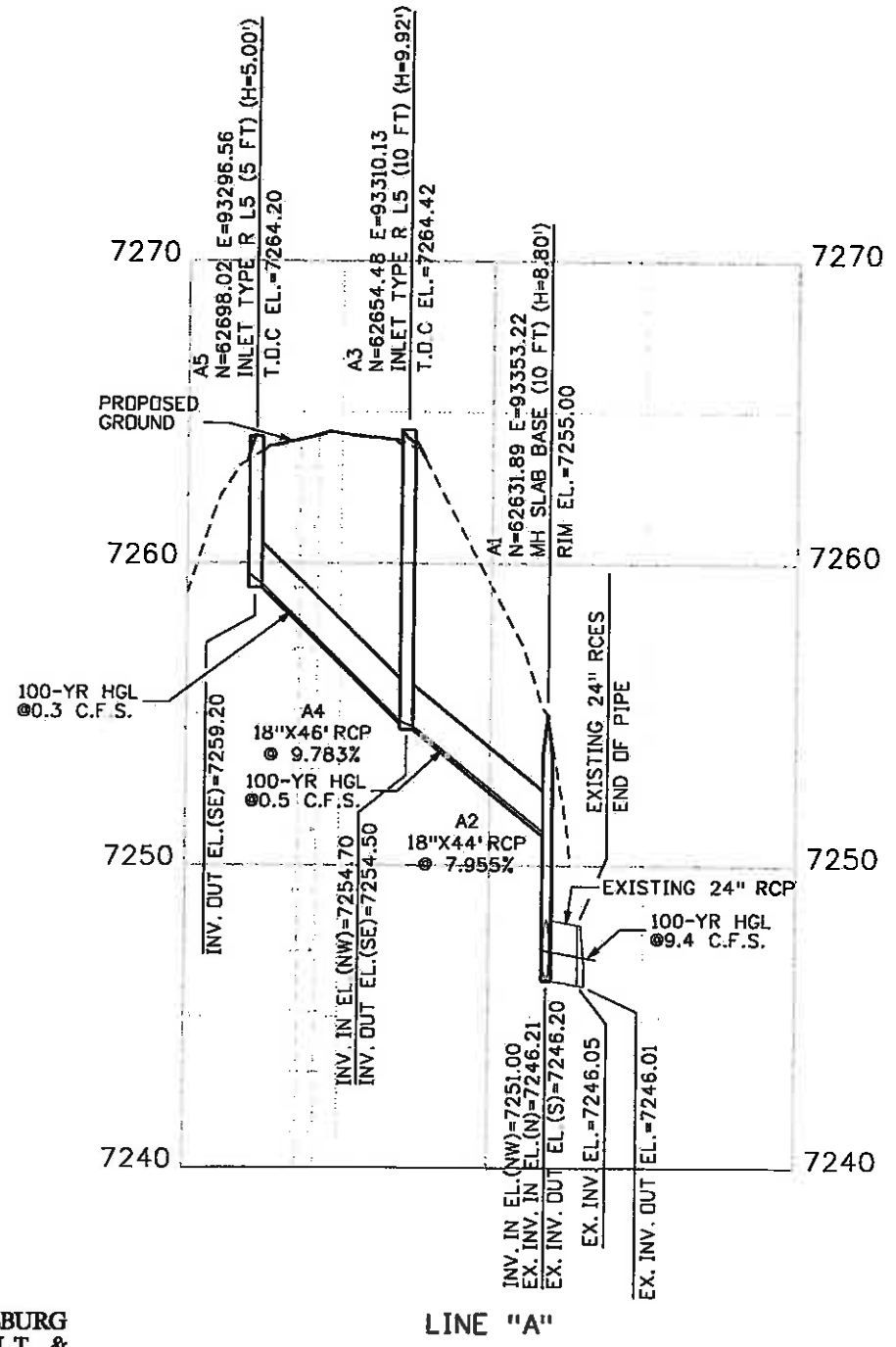
Designer: CDT
 Detailer: RSA
 Sheet Subset: DRAINAGE

Project No./Code	ES3 0702-297
	17303
Sheet Number	121



DRAINAGE LINE	FOR PLAN SEE SHEET
"A"	DR-1
"B"	DR-1

EXCAVATION AND BACKFILL FOR STRUCTURES	PIPE SEGMENT					
	A2	A4	B2	B4	B10	B12
INFORMATION ONLY QUANTITIES (INCLUDED IN THE COST OF PIPE)						
STRUCTURE EXCAVATION	64 CY	63 CY	69 CY	52 CY	80 CY	22 CY
EMB MATL (CIP)	39 CY	37 CY	20 CY	21 CY	42 CY	5 CY
STR BKFL (CL1)	20 CY	21 CY	36 CY	23 CY	30 CY	13 CY



Print Date: 5/11/2010
Drawing File Name: 06193PR005.dgn
Horiz. Scale: 1:60
Unit Information
Vert. Scale: As Noted
Unit Leader Initials

Sheet Revisions		
Date:	Comments	Init.
5/10/10	REVISED SB ENTRANCE TO MRR ROUNDABOUT	DKH

Colorado Department of Transportation
 714 Grand Avenue, P.D. Box 298
 Eagle, CO 81631
 Phone: 970-328-6385 FAX: 970-328-2368
 Region 3 MLM

As Constructed
No Revisions:
Revised: 6-6-2011
Void:

EDWARDS INTERCHANGE UPGRADE
 EDWARDS ACCESS RD
 DRAINAGE PROFILE

Designer: CDT	Structure Numbers
Detailer: RSA	
Sheet Subset: DRAINAGE	Subset Sheets: DP-1 of 9

Project No./Code
ES3 0702-297
17303
Sheet Number 122X

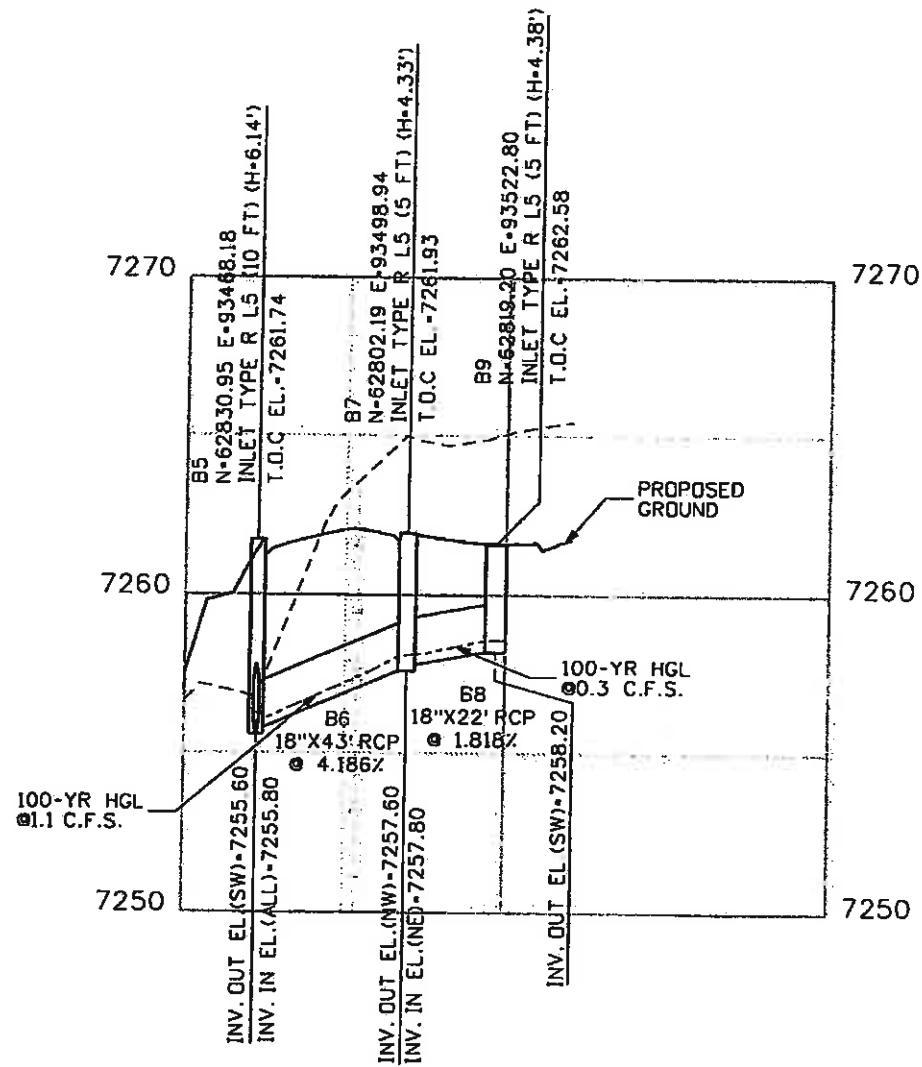


Know what's below.
Call before you dig.

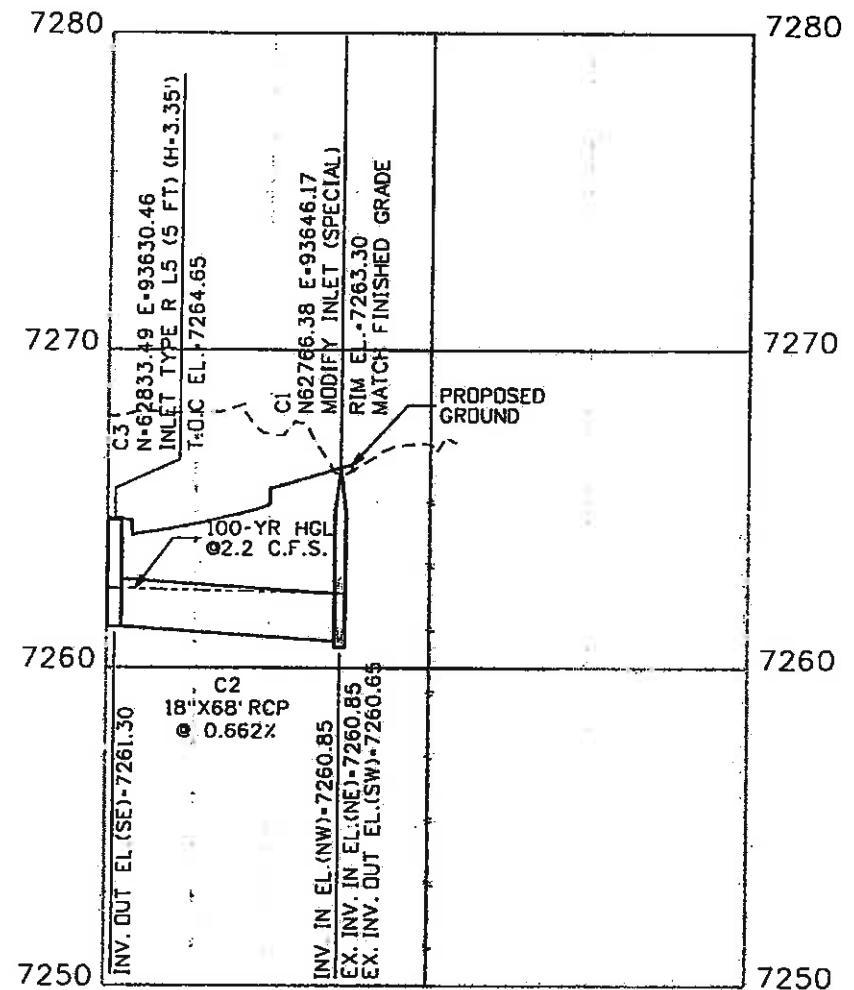
EXCAVATION AND BACKFILL FOR STRUCTURES

INFORMATION ONLY QUANTITIES (INCLUDED IN THE COST OF PIPE)	PIPE SEGMENT		
	B6	B8	C2
STRUCTURE EXCAVATION	59 CY	35 CY	8 CY
EMB MATL (CIP)	35 CY	21 CY	4 CY
STR BKFL (CL)	19 CY	11 CY	3 CY

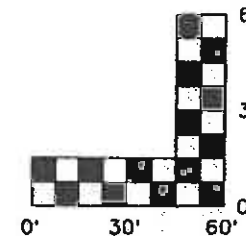
DRAINAGE LINE	FOR PLAN SEE SHEET
"B"	DR-1
"C"	DR-1



LINE "B"



LINE "C"



FELSBURG
HOLT &
ULLEVIG

Print Date: 11/4/2009

Drawing File Name: 06193PR006.dgn

Horiz. Scale: 1:60

Vert. Scale: As Noted

Unit Information

Unit Leader Initials

000 (R-X)

Sheet Revisions

Date:	Comments	Init.

Colorado Department of Transportation



714 Grand Avenue, P.O. Box 298
Eagle, CO 81631
Phone: 970-328-6385 FAX: 970-328-2368

Region 3

MLM

As Constructed

No Revisions: (0-0-201)

Revised:

Void:

EDWARDS INTERCHANGE UPGRADE
EDWARDS ACCESS RD
DRAINAGE PROFILE

Designer: CDT

Detailer: RSA

Sheet Subset: DRAINAGE

Structure Numbers

Subset Sheets: DP-2 of 9

Project No./Code

ES3 0702-297

17303

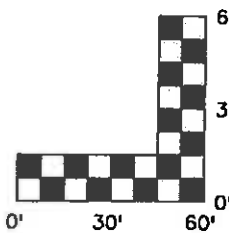
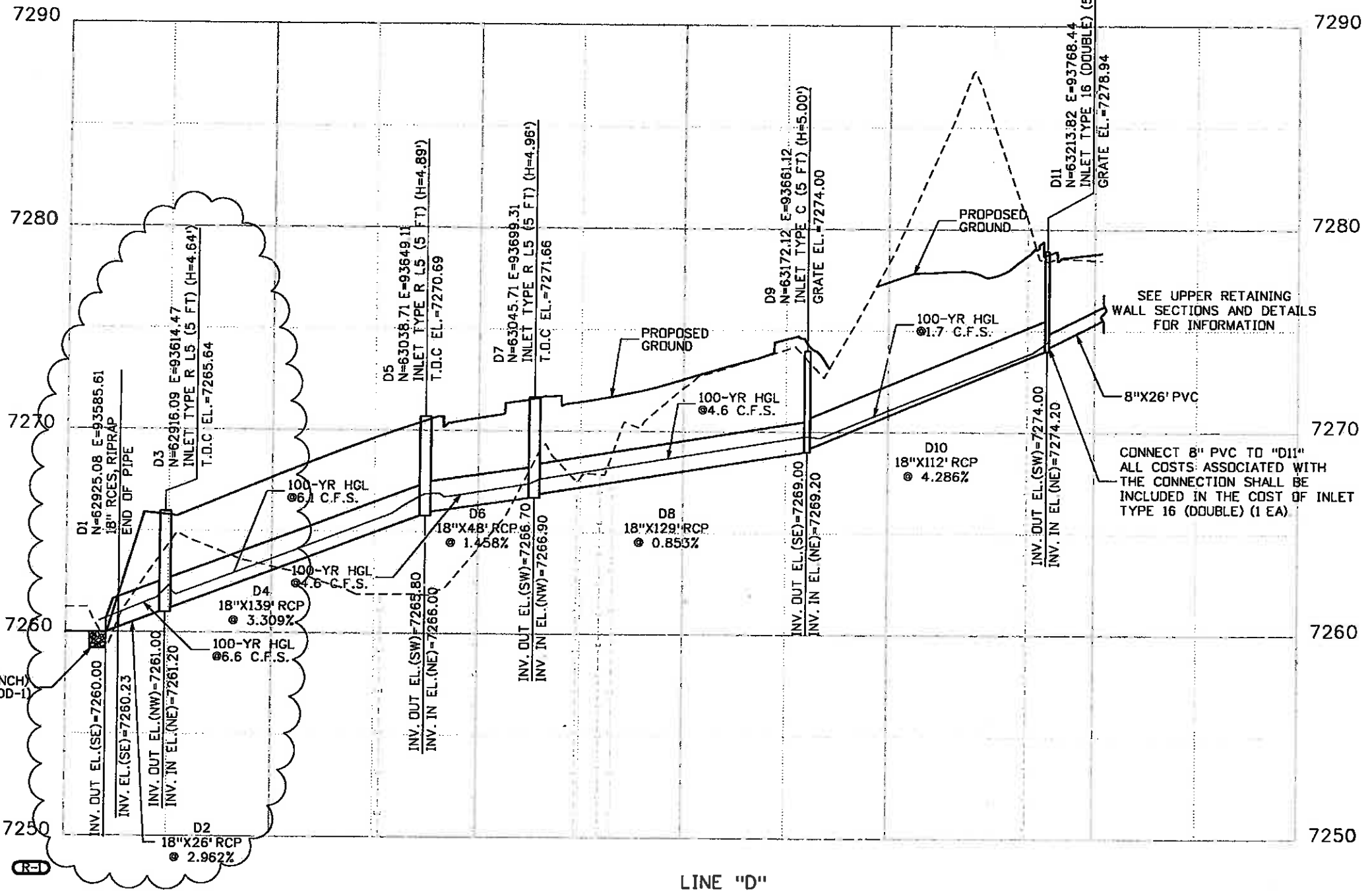
Sheet Number 23



Know what's below. Call before you dig.

INFORMATION ONLY QUANTITIES (INCLUDED IN THE COST OF PIPE)	PIPE SEGMENT				
	D2	D4	D6	D8	D10
STRUCTURE EXCAVATION	15 CY	75 CY	27 CY	143 CY	220 CY
EMB MATL (CIP)	0 CY	0 CY	0 CY	73 CY	157 CY
STR BKFL (CL1)	12 CY	60 CY	21 CY	55 CY	50 CY

DRAINAGE LINE	FOR PLAN SEE SHEET
"D"	DR-1,2



RIPRAP (12 INCH) (SEE SHEET DD-1)



Print Date: 5/11/2010
 Drawing File Name: 06193PR007.dgn
 Horiz. Scale: 1:60
 Unit Information

Sheet Revisions			
Date:	Comments	Init.	
5/10/10	REVISED SB ENTRANCE TO MRR ROUNDABOUT	DKH	

Colorado Department of Transportation
 714 Grand Avenue, P.O. Box 298
 Eagle, CO 81631
 Phone: 970-328-6385 FAX: 970-328-2368
 Region 3 MLM

As Constructed
 No Revisions:
 Revised: 6-6-2011
 Void:

EDWARDS INTERCHANGE UPGRADE
 EDWARDS ACCESS RD
 DRAINAGE PROFILE
 Designer: CDT
 Detailer: RSA
 Sheet Subset: DRAINAGE
 Structure Numbers
 Subset Sheets: DP-3 of 9

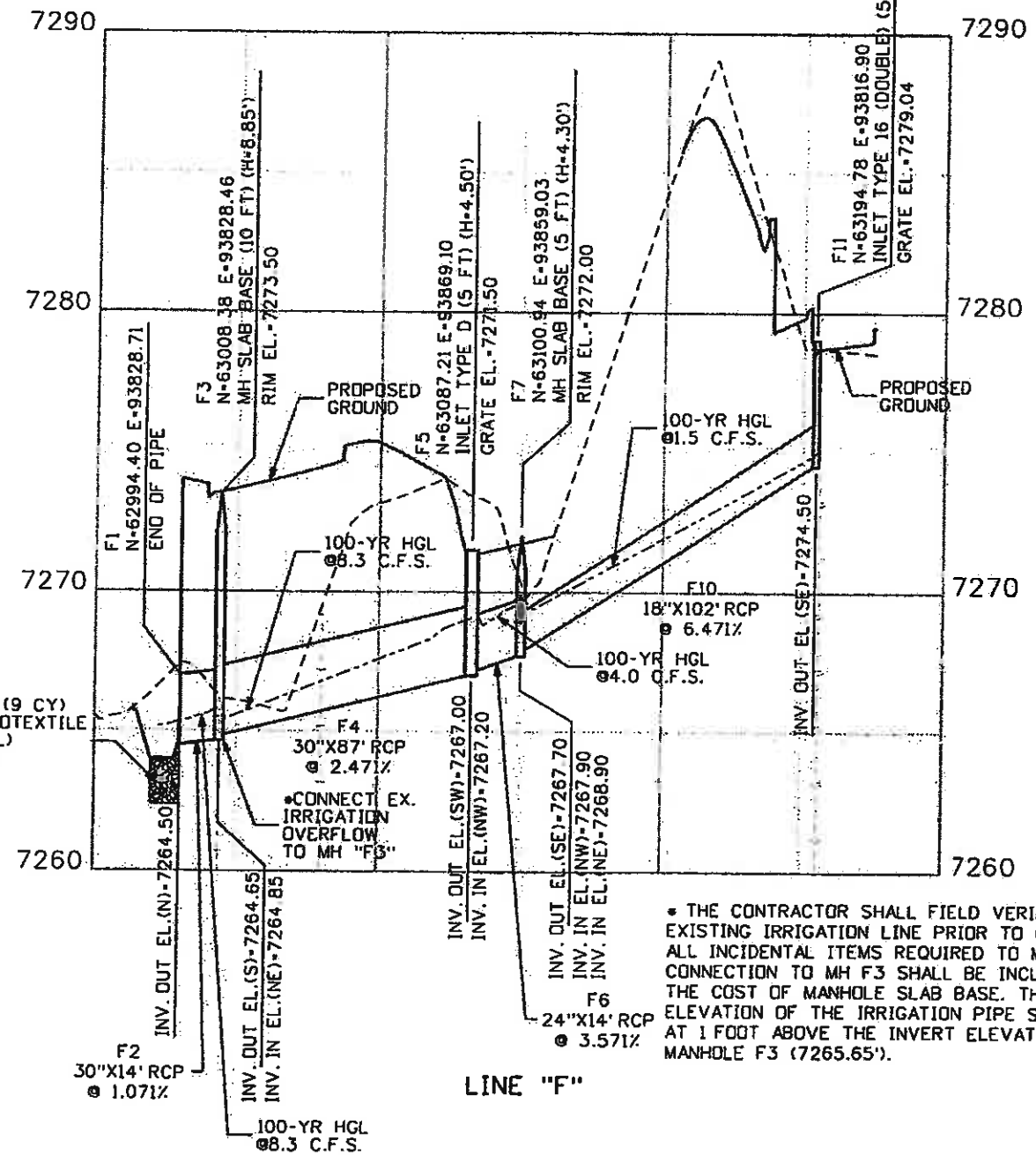
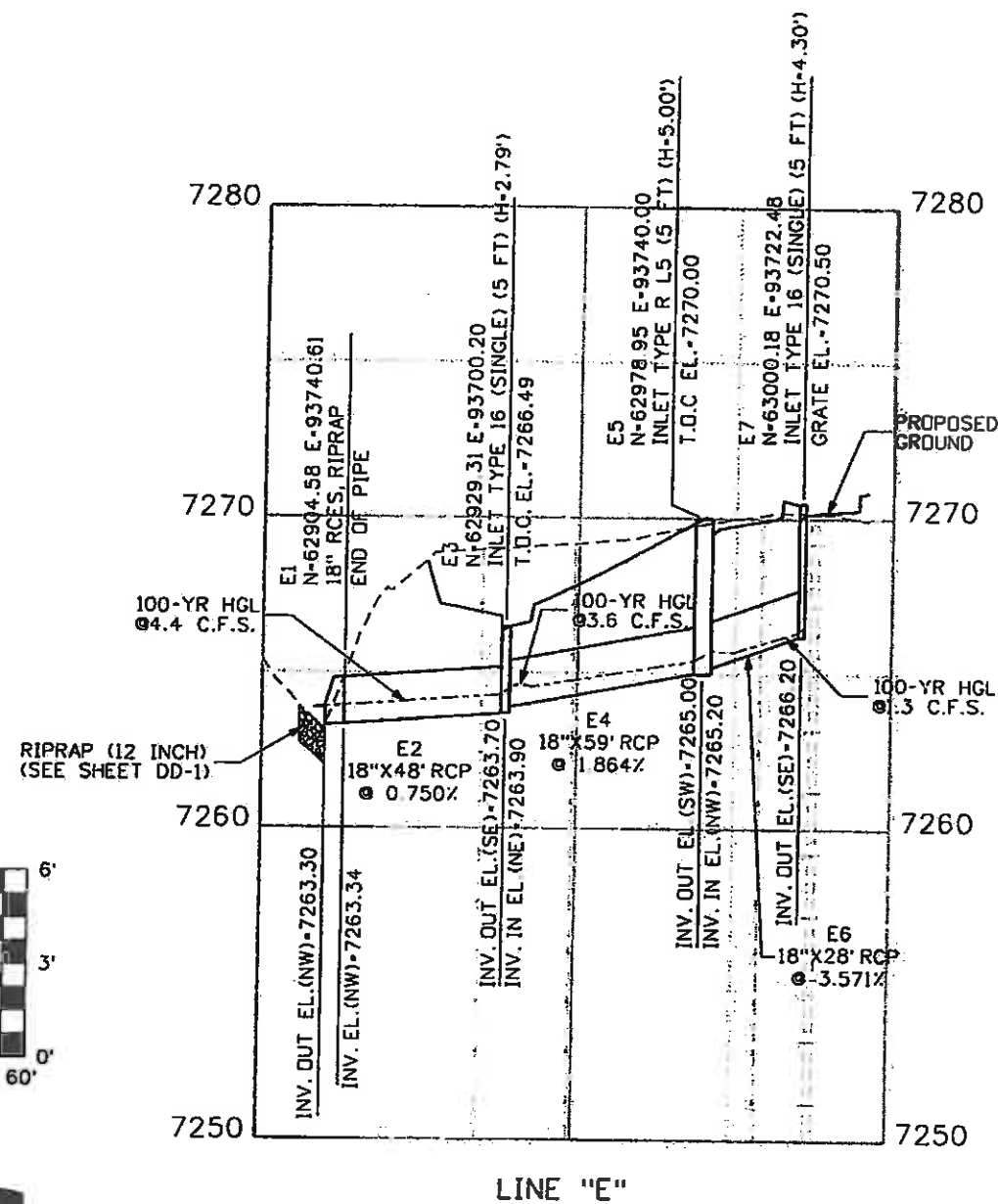
Project No./Code
 ES3 0702-297
 17303
 Sheet Number 124X



Know what's below. Call before you dig.

INFORMATION ONLY QUANTITIES (INCLUDED IN THE COST OF PIPE)	PIPE SEGMENT						
	E2	E4	E6	F2	F4	F6	F10
STRUCTURE EXCAVATION	30 CY	59 CY	43 CY	15 CY	134 CY	16 CY	231 CY
EMB MATL (CIP)	14 CY	26 CY	16 CY	0 CY	55 CY	5 CY	175 CY
STR BKFL (CL1)	13 CY	26 CY	16 CY	10 CY	55 CY	9 CY	44 CY

DRAINAGE LINE	FOR PLAN SEE SHEET
"E"	DR-2
"F"	DR-2



FELSBURG HOLT & ULLEVIG

Print Date: 11/4/2009

Drawing File Name: 06193PR008.dgn

Horiz. Scale: 1:60

Vert. Scale: As Noted

Unit Information

Unit Leader Initials

R-X
000

Sheet Revisions

Date:	Comments	Init.

Colorado Department of Transportation



714 Grand Avenue, P.O. Box 298
Eagle, CO 81631
Phone: 970-328-6385 FAX: 970-328-2368

Region 3

MLM

As Constructed

No Revisions: 6-6-2011

Revised:

Void:

EDWARDS INTERCHANGE UPGRADE
EDWARDS ACCESS RD
DRAINAGE PROFILE

Designer:	CDT	Structure Numbers	
Detailer:	RSA		
Sheet Subset:	DRAINAGE	Subset Sheets:	DP-4 of 9

Project No./Code

ES3 0702-297

17303

Sheet Number 125

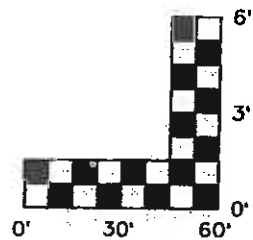
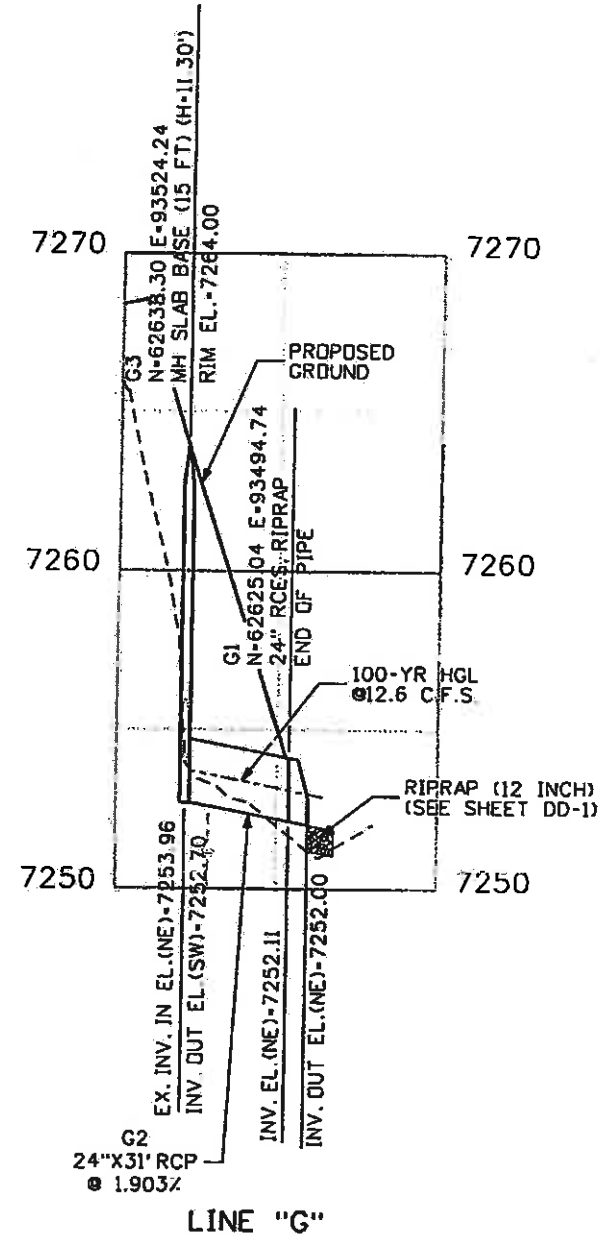
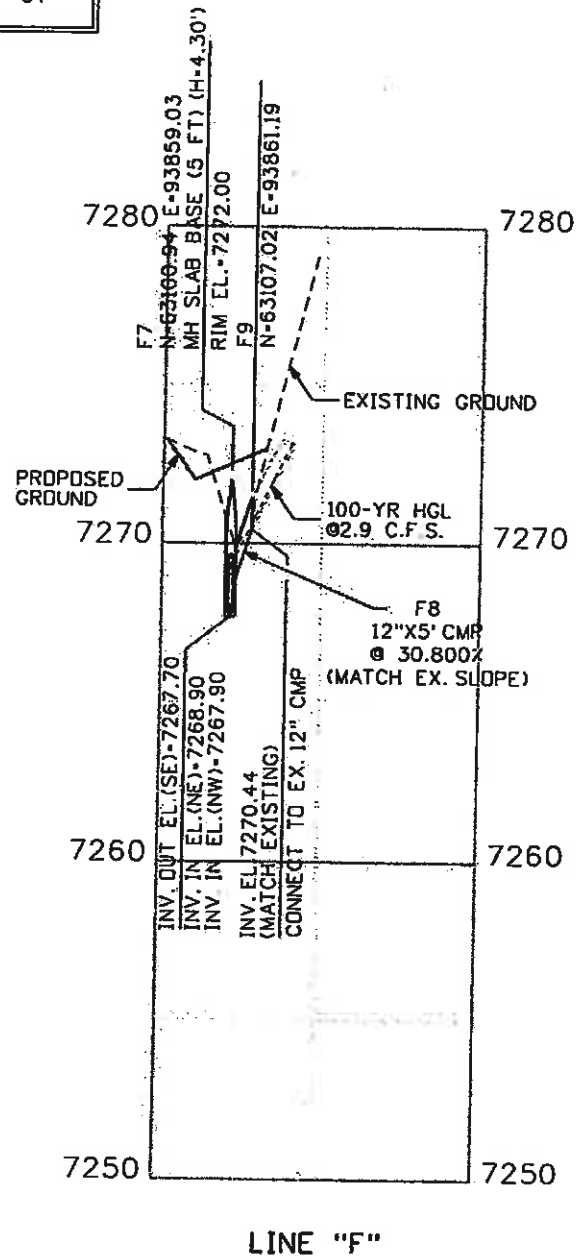


Know what's Below.
Call before you dig.

EXCAVATION AND BACKFILL FOR STRUCTURES

INFORMATION ONLY QUANTITIES (INCLUDED IN THE COST OF PIPE)	PIPE SEGMENT	
	F8	G2
STRUCTURE EXCAVATION	3 CY	23 CY
EMB MATL (CIP)	0 CY	0 CY
STR BKFL (CL)	3 CY	17 CY

DRAINAGE LINE	FDR PLAN SEE SHEET
"F"	DR-2
"G"	DR-1



FELSBURG
HOLT &
ULLEVIG

Print Date: 11/4/2009

Drawing File Name: 06193PRD09.dgn

Horiz. Scale: 1:60

Vert. Scale: As Noted

Unit Information

Unit Leader Initials

(R-X)

000

Sheet Revisions

Date:	Comments	Init.

Colorado Department of Transportation



714 Grand Avenue, P.O. Box 298
Eagle, CO 81631
Phone: 970-328-6385 FAX: 970-328-2368

Region 3

MLM

As Constructed

No Revisions: 6-6-2011

Revised:

Void:

EDWARDS INTERCHANGE UPGRADE
EDWARDS ACCESS RD
DRAINAGE PROFILE

Designer:	CDT	Structure Numbers	
Detailer:	RSA		
Sheet Subset:	DRAINAGE	Subset Sheets:	DP-5 of 9

Project No./Code

ES3 0702-297

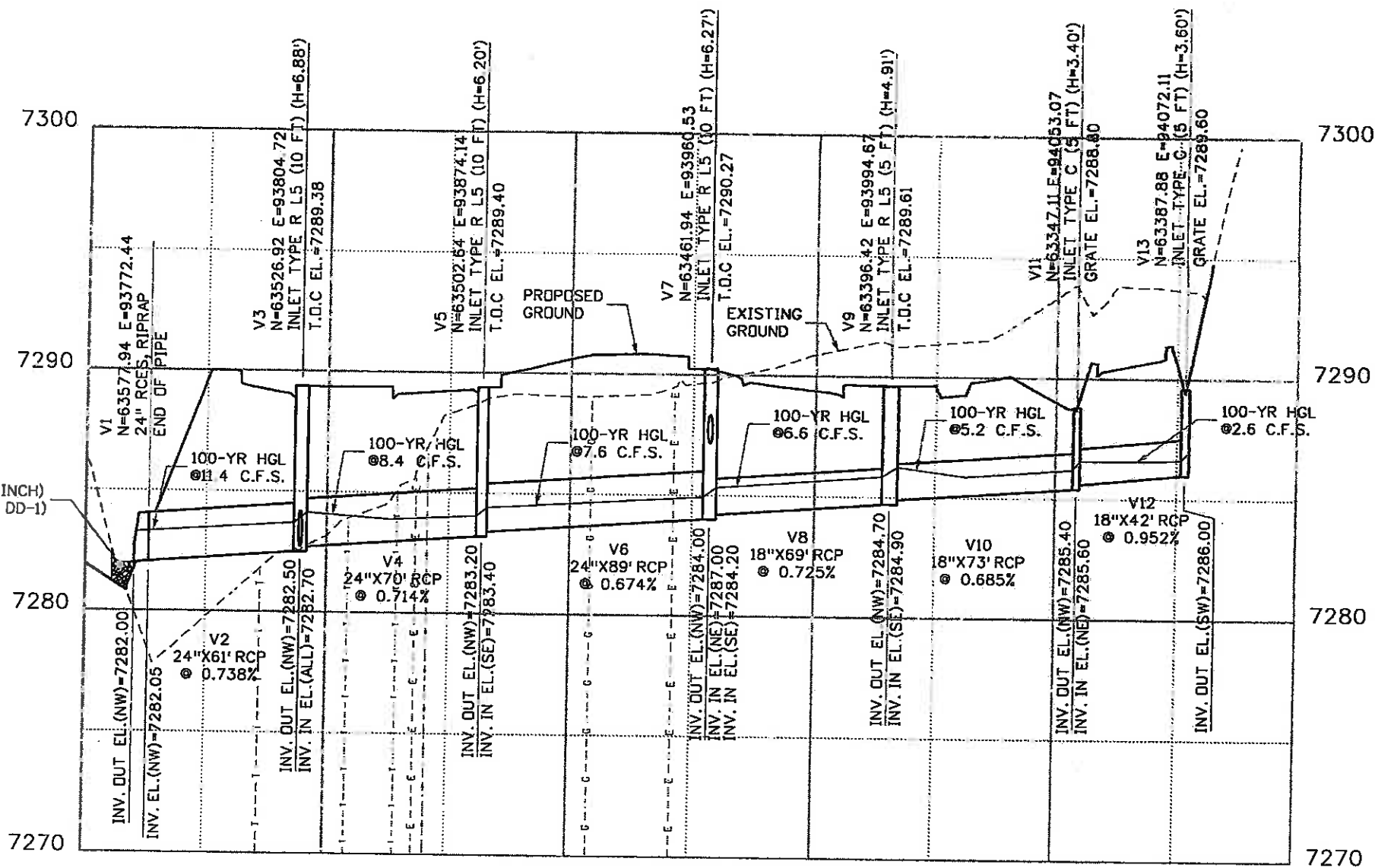
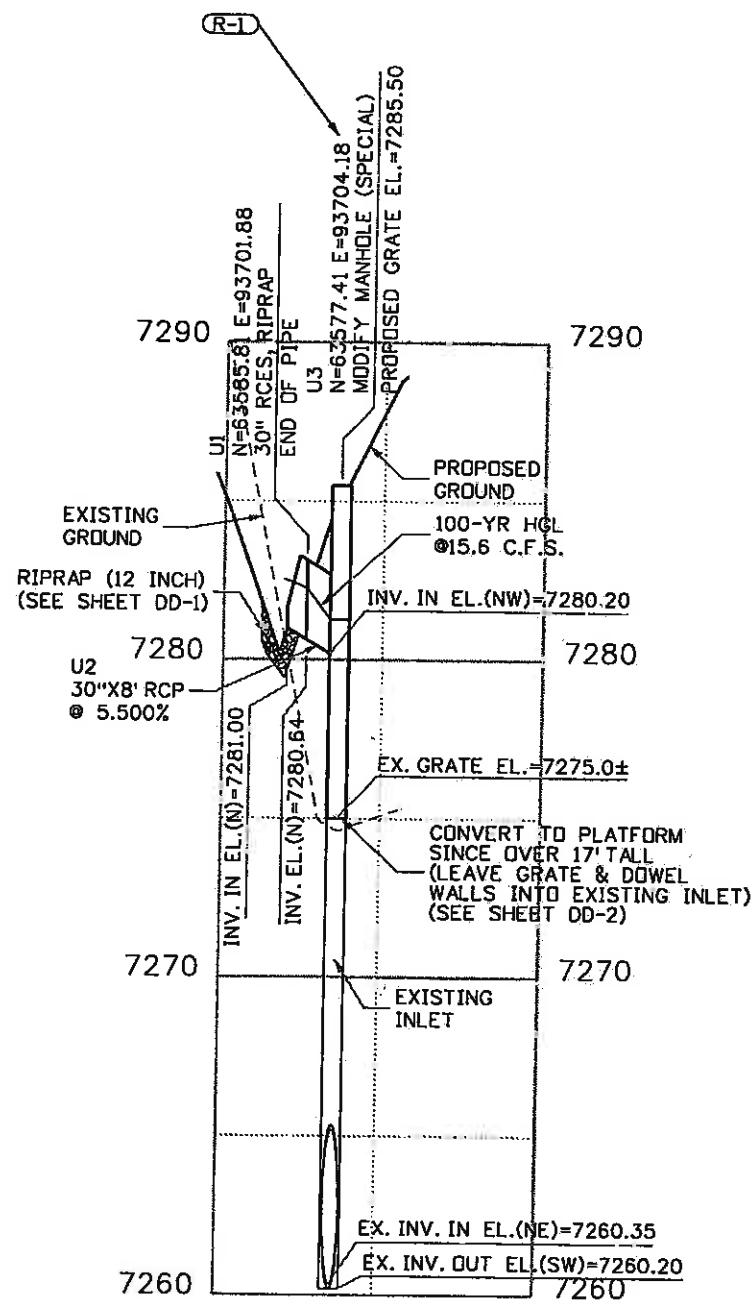
17303

Sheet Number 126

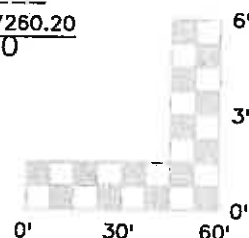


DRAINAGE LINE	FOR PLAN SEE SHEET
"U"	DR-8
"V"	DR-3,8,9

EXCAVATION AND BACKFILL FOR STRUCTURES	PIPE SEGMENT						
	U2	V2	V4	V6	V8	V10	V12
STRUCTURE EXCAVATION	10 CY	44 CY	67 CY	101 CY	84 CY	88 CY	64 CY
EMB MATL (CIP)	0 CY	0 CY	17 CY	37 CY	36 CY	48 CY	41 CY
STR BKFL (CL1)	7 CY	33 CY	37 CY	47 CY	30 CY	32 CY	19 CY



FELSBURG
HOLT &
ULLEVIG



Print Date: 1/8/2010

Drawing File Name: 06193PRO01.dgn

Horiz. Scale: 1:60

Vert. Scale: As Noted

Unit Information

Unit Leader Initials

(R-1)
○
○
○

Sheet Revisions

Date:	Comments	Init.
01/08/10	Corrected type of modification.	JMK

Colorado Department of Transportation



714 Grand Avenue, P.O. Box 298
Eagle, CO 81631
Phone: 970-328-6385 FAX: 970-328-2368

Region 3

MLM

As Constructed

No Revisions: 0

Revised: 6-6-2011

Void:

EDWARDS INTERCHANGE UPGRADE
EDWARDS ACCESS RD
DRAINAGE PROFILE

Designer: CDT

Detailer: RSA

Sheet Subset: DRAINAGE

Project No./Code

ES3 0702-297

17303

Sheet Number

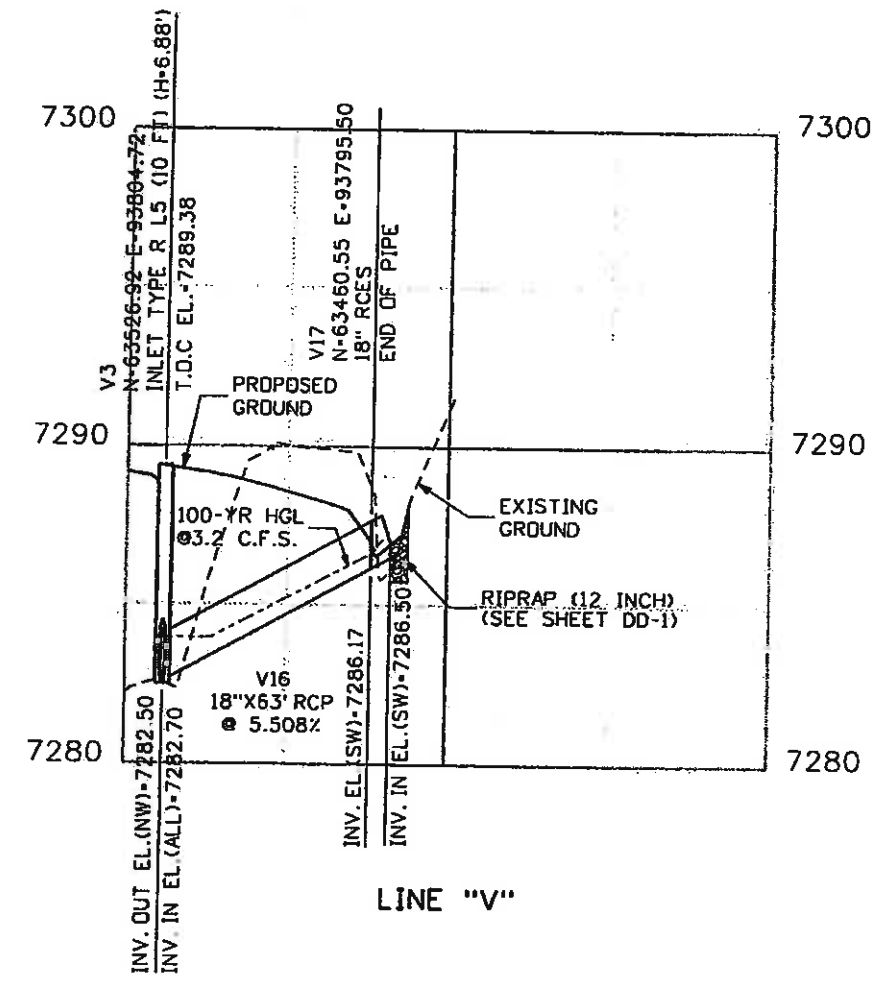
127



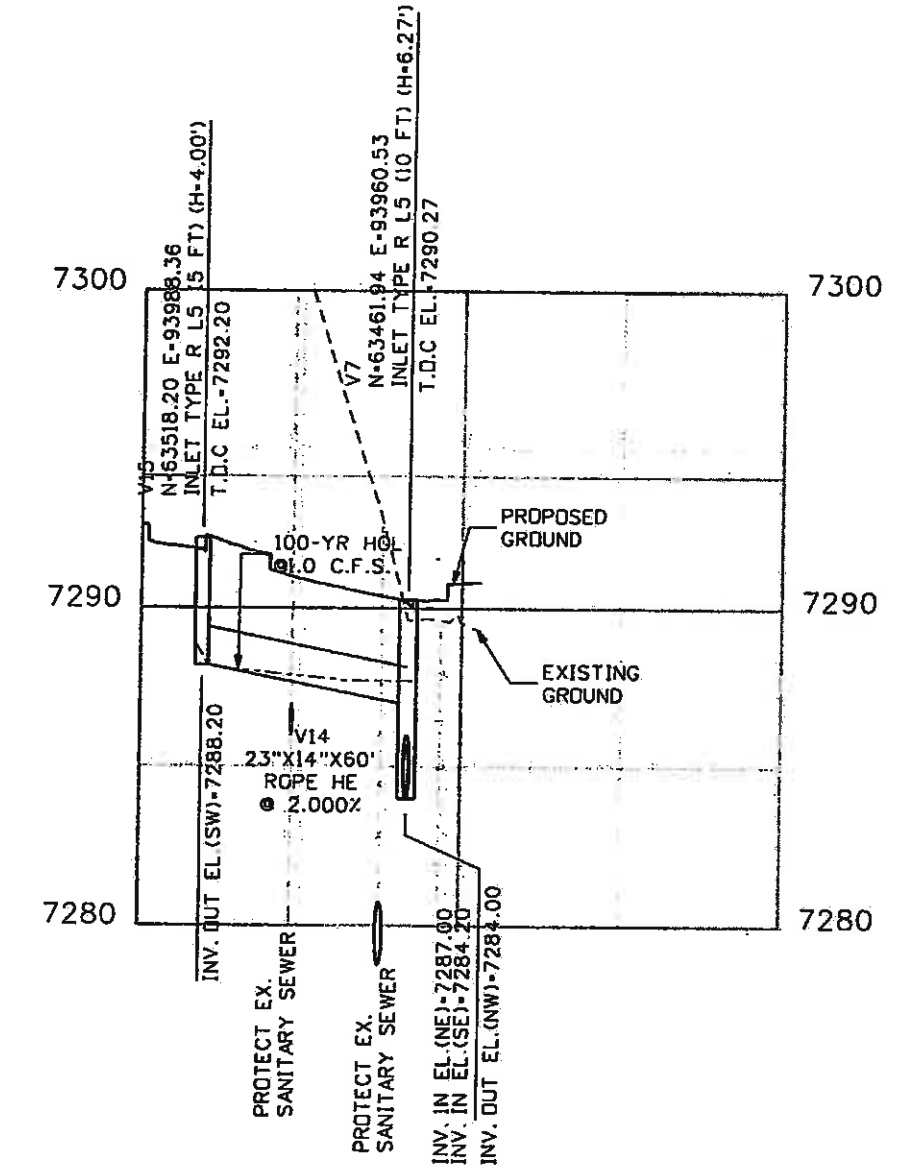
Know what's Below.
Call before you Dig.

DRAINAGE LINE	FOR PLAN SEE SHEET
"V"	DR-3,8,9

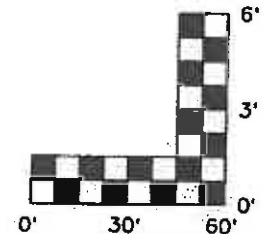
EXCAVATION AND BACKFILL FOR STRUCTURES INFORMATION ONLY QUANTITIES (INCLUDED IN THE COST OF PIPE)	PIPE SEGMENT	
	V17	V14
STRUCTURE EXCAVATION	66 CY	49 CY
EMB MATL (CIP)	31 CY	16 CY
STR BKFL (CL1)	28 CY	26 CY



LINE "V"



LINE "V"



Print Date: 11/4/2009
Drawing File Name: 06193PR002.dgn
Horiz. Scale: 1:60
Unit Information
Vert. Scale: As Noted
Unit Leader Initials

Sheet Revisions		
Date:	Comments	Init.

Colorado Department of Transportation
 714 Grand Avenue, P.O. Box 298
 Eagle, CO 81631
 Phone: 970-328-6385 FAX: 970-328-2368
 Region 3 MLM

As Constructed
No Revisions: 6-6-2011
Revised:
Void:

EDWARDS INTERCHANGE UPGRADE EDWARDS ACCESS RD DRAINAGE PROFILE	
Designer: CDT	Structure Numbers
Detailer: RSA	
Sheet Subset: DRAINAGE	Subset Sheets: DP-7 of 9

Project No./Code	ES3 0702-297
	17303
Sheet Number	28

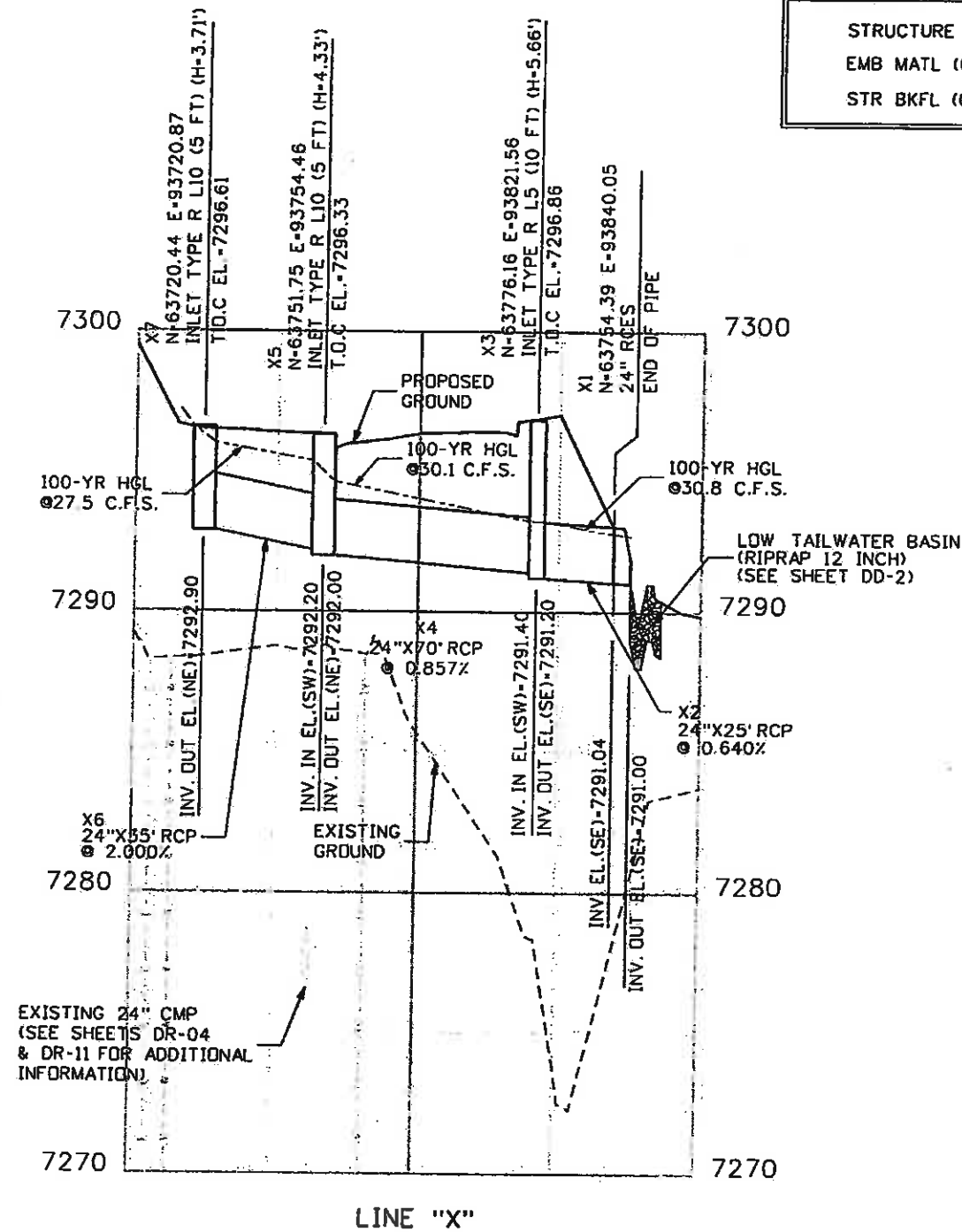
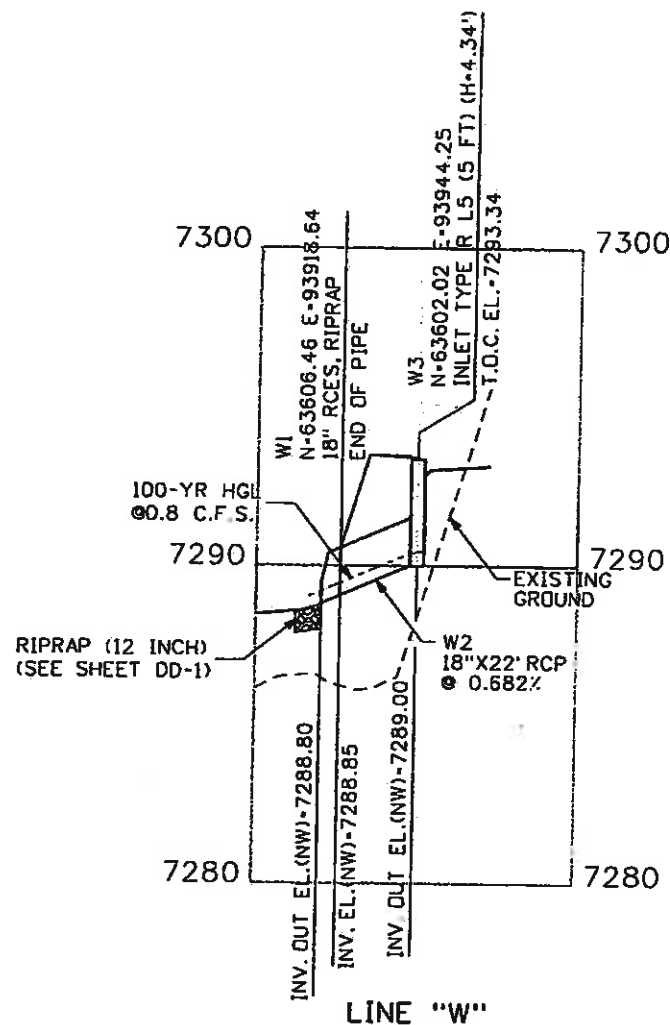


Know what's below.
Call before you dig.

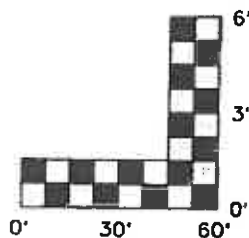
DRAINAGE LINE	FOR PLAN SEE SHEET
"W"	DR-3
"X"	DR-4,11

EXCAVATION AND BACKFILL FOR STRUCTURES

INFORMATION ONLY QUANTITIES (INCLUDED IN THE COST OF PIPE)	PIPE SEGMENT			
	W2	X2	X4	X6
STRUCTURE EXCAVATION	13 CY	19 CY	50 CY	26 CY
EMB MATL (CIP)	0 CY	0 CY	0 CY	0 CY
STR BKFL (CL1)	11 CY	14 CY	37 CY	19 CY



FELSBURG
HOLT &
ULLEVIG



Print Date: 11/4/2009

Drawing File Name: 06193PRD03.dgn

Horiz. Scale: 1"=60'

Vert. Scale: As Noted

Unit Information

Unit Leader Initials

0000
R-X

Sheet Revisions

Date:	Comments	Init.

Colorado Department of Transportation



714 Grand Avenue, P.O. Box 298
Eagle, CO 81631
Phone: 970-328-6385 FAX: 970-328-2368

Region 3

MLM

As Constructed

No Revisions: 6-6-2011

Revised:

Void:

EDWARDS INTERCHANGE UPGRADE
EDWARDS ACCESS RD
DRAINAGE PROFILE

Designer: CDT

Detailer: RSA

Sheet Subset: DRAINAGE

Structure Numbers

Subset Sheets: DP-8 of 9

Project No./Code

ES3 0702-297

17303

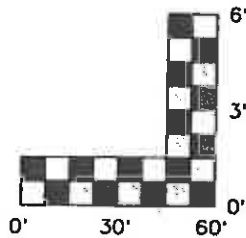
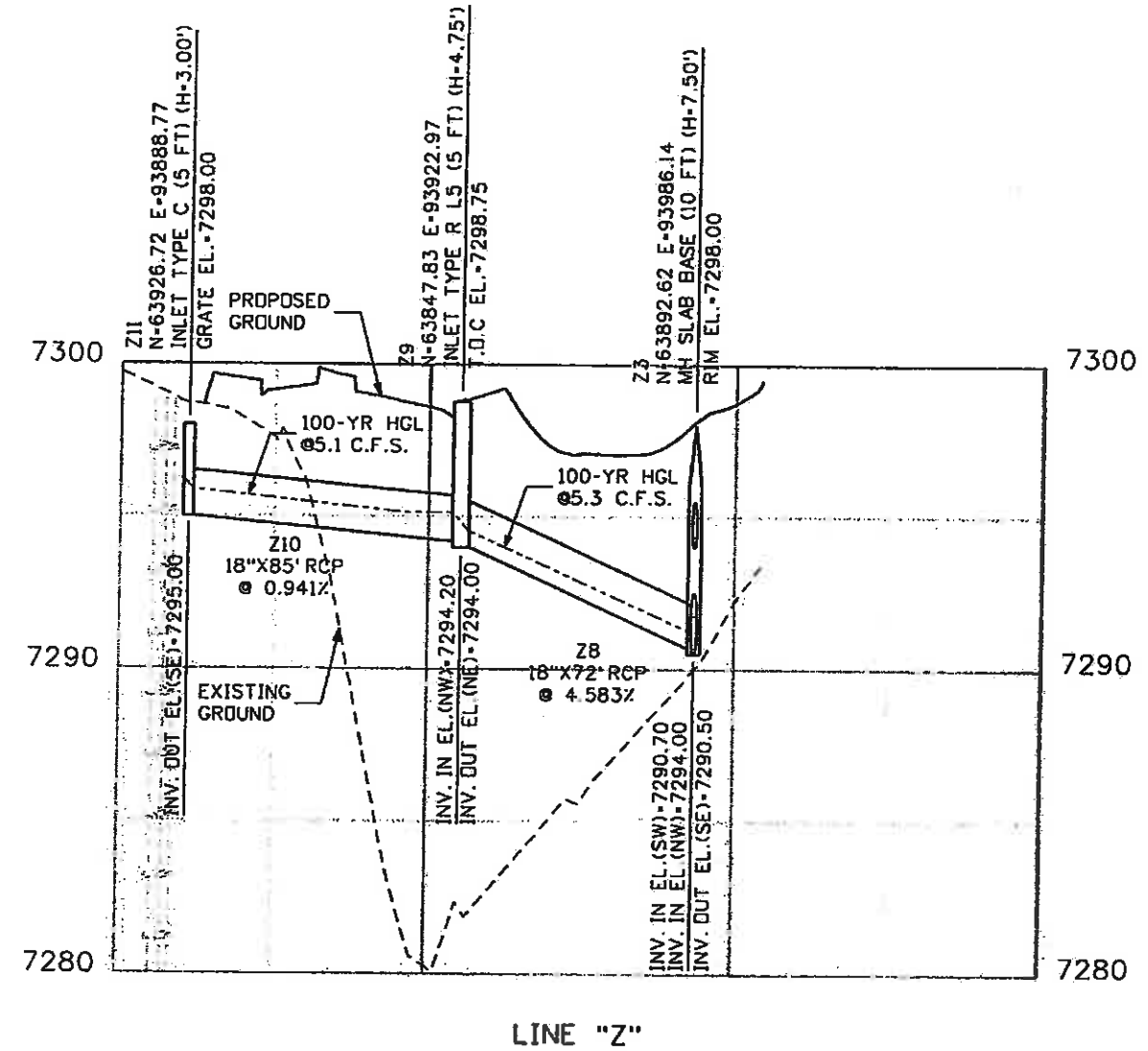
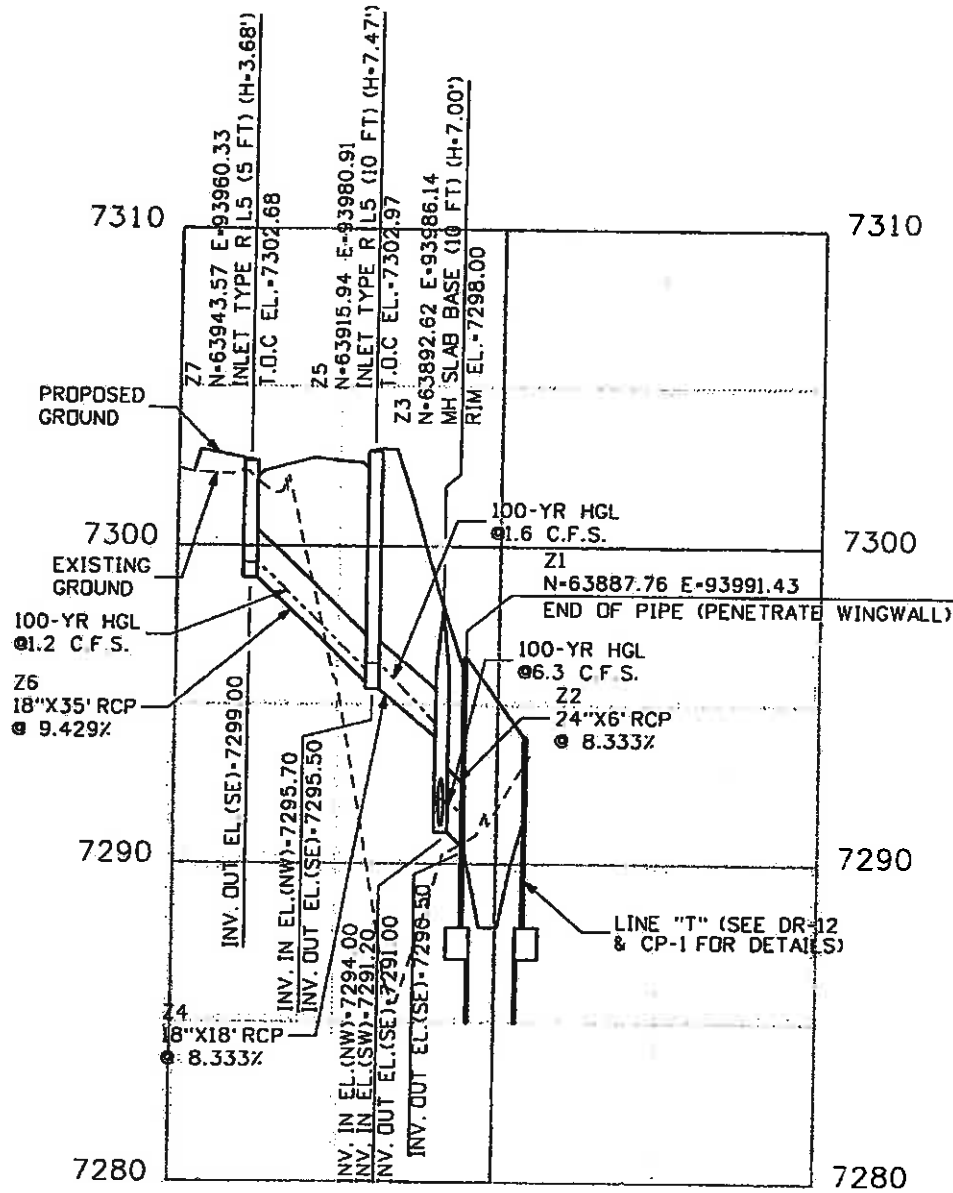
Sheet Number 129



Know what's below. Call before you dig.

DRAINAGE LINE	FOR PLAN SEE SHEET
"Z"	DR-4,12

EXCAVATION AND BACKFILL FOR STRUCTURES	PIPE SEGMENT				
	Z2	Z4	Z6	Z8	Z10
INFORMATION ONLY QUANTITIES (INCLUDED IN THE COST OF PIPE)					
STRUCTURE EXCAVATION	5 CY	11 CY	23 CY	40 CY	61 CY
EMB MATL (CIP)	0 CY	0 CY	3 CY	0 CY	15 CY
STR BKFL (CL1)	4 CY	9 CY	16 CY	32 CY	37 CY



FELSBURG HOLT & ULLEVIG

Print Date: 11/4/2009

Drawing File Name: 06193PR004.dgn

Horiz. Scale: 1"=60'

Vert. Scale: As Noted

Unit Information

Unit Leader Initials

000

Sheet Revisions

Date:	Comments	Init.

Colorado Department of Transportation



Region 3

714 Grand Avenue, P.O. Box 298
Eagle, CO 81631
Phone: 970-328-6385 FAX: 970-328-2368

MLM

As Constructed

No Revisions: 6-6-2011

Revised:

Void:

EDWARDS INTERCHANGE UPGRADE
EDWARDS ACCESS RD
DRAINAGE PROFILE

Designer: CDT
Detailer: RSA
Sheet Subset: DRAINAGE

Structure Numbers

Subset Sheets: DP-9 of 9

Project No./Code

ES3 0702-297

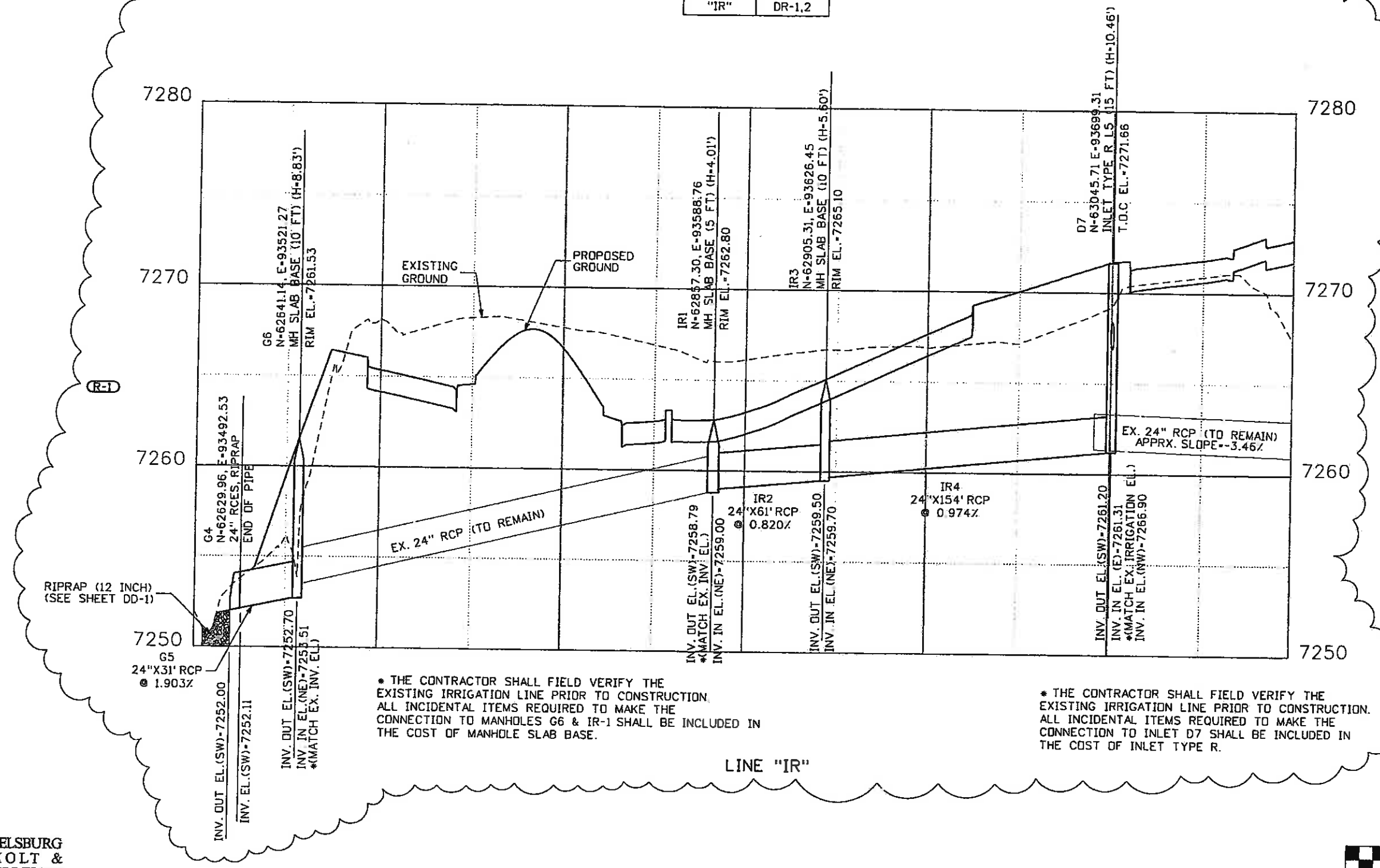
17303

Sheet Number 130



Know what's below.
Call before you dig.

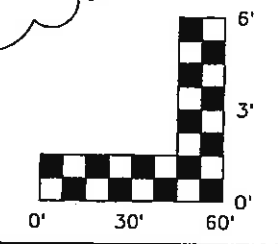
DRAINAGE LINE	FOR PLAN SEE SHEET
"IR"	DR-1,2



* THE CONTRACTOR SHALL FIELD VERIFY THE EXISTING IRRIGATION LINE PRIOR TO CONSTRUCTION. ALL INCIDENTAL ITEMS REQUIRED TO MAKE THE CONNECTION TO MANHOLES G6 & IR-1 SHALL BE INCLUDED IN THE COST OF MANHOLE SLAB BASE.

* THE CONTRACTOR SHALL FIELD VERIFY THE EXISTING IRRIGATION LINE PRIOR TO CONSTRUCTION. ALL INCIDENTAL ITEMS REQUIRED TO MAKE THE CONNECTION TO INLET D7 SHALL BE INCLUDED IN THE COST OF INLET TYPE R.

LINE "IR"



FELSBURG
HOLT &
ULLEVIG

Print Date: 6/15/2010
Drawing File Name: 06193PRO10.dgn
Horiz. Scale: 1:60
Unit Information
Vert. Scale: As Noted
Unit Leader Initials

Sheet Revisions			
Date:	Comments	Init.	
6-15-10	IRRIGATION REDESIGN	CDT	

Colorado Department of Transportation
 714 Grand Avenue, P.O. Box 298
 Eagle, CO 81631
 Phone: 970-328-6385 FAX: 970-328-2368
 Region 3 MLM

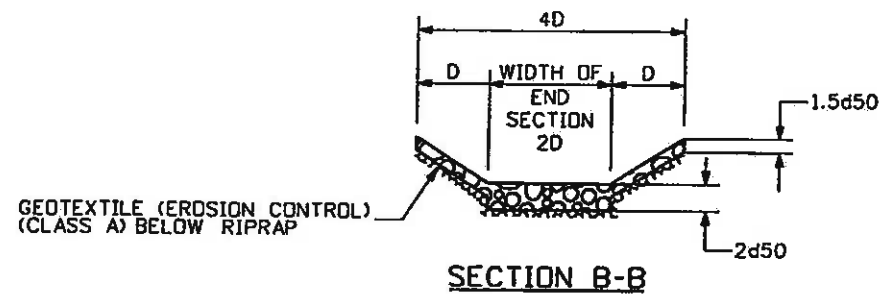
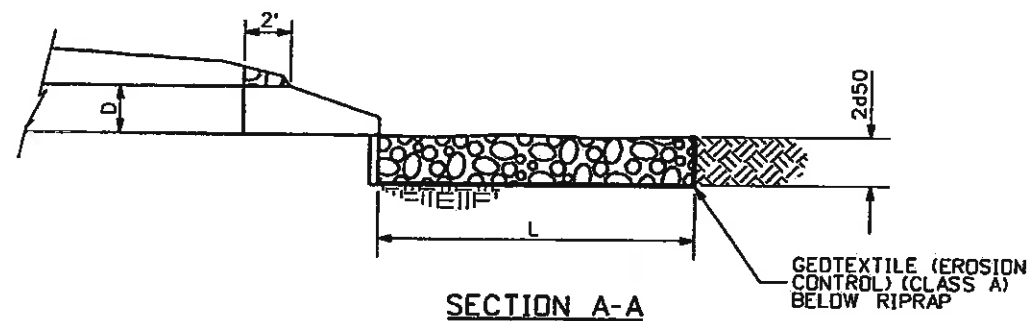
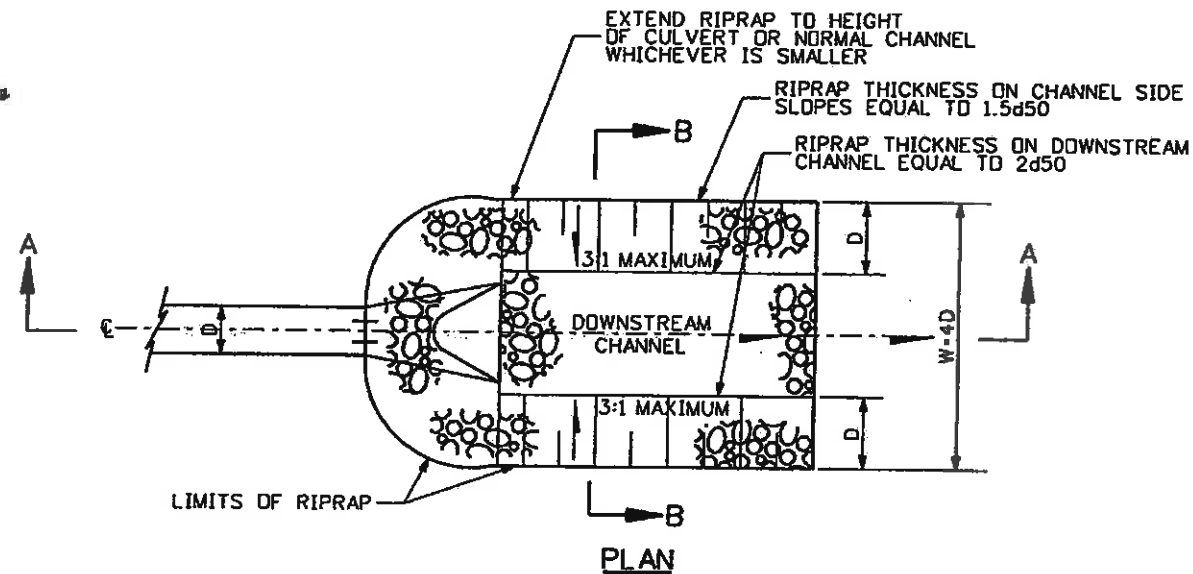
As Constructed
 No Revisions:
 Revised: 6-6-2011
 Void:

EDWARDS INTERCHANGE UPGRADE EDWARDS ACCESS RD DRAINAGE PROFILE		
Designer:	CDT	Structure Numbers
Detailer:	RSA	
Sheet Subset:	DRAINAGE	Subset Sheets: DP-9X of 9

Project No./Code	ES3 0702-297
	17303
Sheet Number	130.5



Know what's below. Call before you dig.



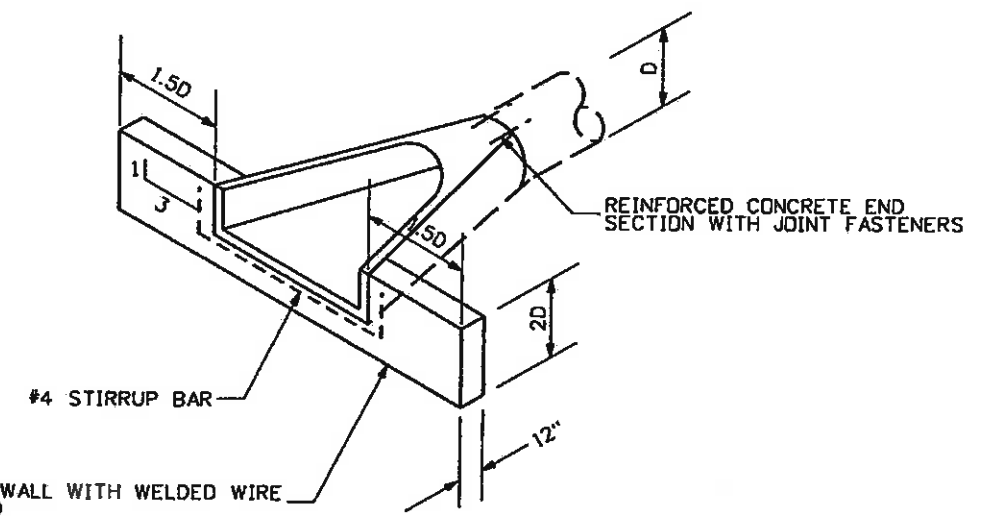
RIPRAP DETAIL FOR PIPE INLETS/OUTLETS OPEN CHANNEL APPLICATION

I.D.	DIMENSIONS					QUANTITIES		NOTES
	DIA (IN)	W (FT)	L (FT)	RIPRAP TYPE	d50 (IN)	RIPRAP (12 INCH) (CY)	GEOTEXTILE (EROSION CONTROL) (CL A) (SY)	
BI	24	8	8	M	12	6	17	
DI	18	6	6	M	12	4	12	
EI	18	6	6	M	12	4	12	
FI	30	10	10	M	12	9	19	INSTALL AT END OF PIPE/WALL
GI	24	8	8	M	12	6	17	
UI	30	10	10	M	12	9	25	
VI	24	8	8	M	12	6	17	
WI	18	6	6	M	12	4	12	

TABULATION OF RIPRAP (12 INCH) AND GEOTEXTILE (EROSION CONTROL) (CLASS A)

NOTES:

1. THESE QUANTITIES HAVE BEEN CARRIED FORWARD TO THE TABULATION OF STORM DRAIN SYSTEM.



CONCRETE END SECTION FOR REINFORCED CONCRETE PIPE

NOTES:

1. D-INSIDE DIAMETER OF REINFORCED CONCRETE PIPE.
2. EACH REINFORCED CONCRETE END SECTION SHALL BE CONNECTED TO THE REINFORCED CONCRETE PIPE WITH CONCRETE PIPE JOINT FASTENERS (2-EACH). CONCRETE PIPE JOINT FASTENERS SHALL BE INCLUDED IN THE COST OF THE REINFORCED CONCRETE END SECTION.
3. ALL CONNECTIONS, CONCRETE CUTOFF WALL, STRUCTURE EXCAVATION, AND EXTRA WORK REQUIRED TO MODIFY OTHER PAY ITEMS SHALL BE INCLUDED IN THE COST OF REINFORCED CONCRETE END SECTION.
4. EXCAVATION FOR RIPRAP SHALL BE INCLUDED IN THE COST OF THE RIPRAP.
5. THESE QUANTITIES HAVE BEEN CARRIED FORWARD TO THE TABULATION OF STORM DRAIN SYSTEM.



FELSBURG
HOLT &
ULLEVIG

Print Date: 11/4/2009

Drawing File Name: 06193DET01.dgn

Horiz. Scale: 1:1

Vert. Scale: As Noted

Unit Information

Unit Leader Initials



Sheet Revisions

Date:	Comments	Init.

Colorado Department of Transportation



714 Grand Avenue, P.O. Box 298
Eagle, CO 81631
Phone: 970-328-6385 FAX: 970-328-2368

Region 3

MLM

As Constructed

No Revisions: 6-6-2011

Revised:

Void:

EDWARDS INTERCHANGE UPGRADE
EDWARDS ACCESS RD
DRAINAGE DETAIL

Designer:	CDT	Structure	
Detailer:	RSA	Numbers	
Sheet Subset:	DRAINAGE	Subset Sheets:	DD-1 of 8

Project No./Code

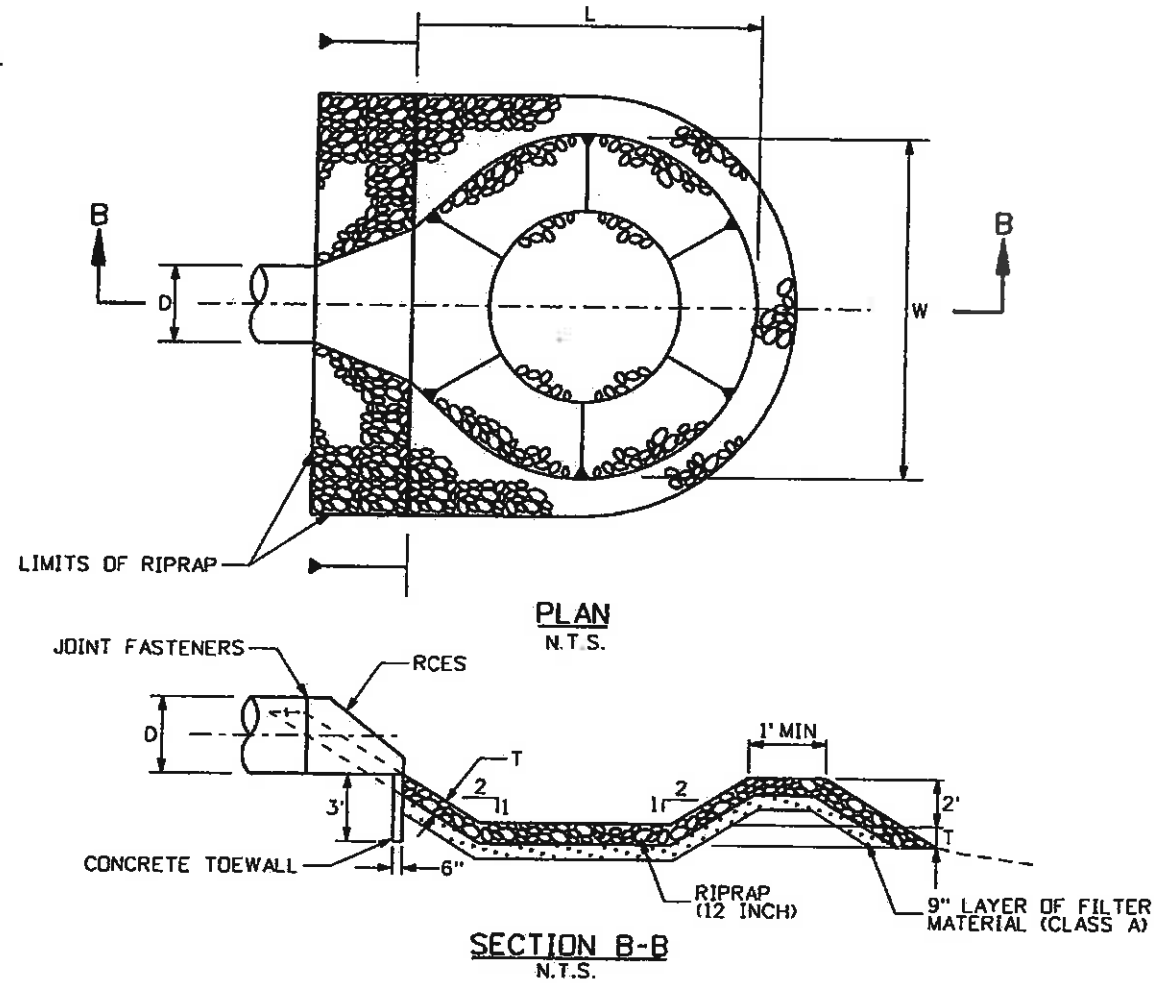
ES3 0702-297

17303

Sheet Number 131



Know what's below.
Call before you dig.



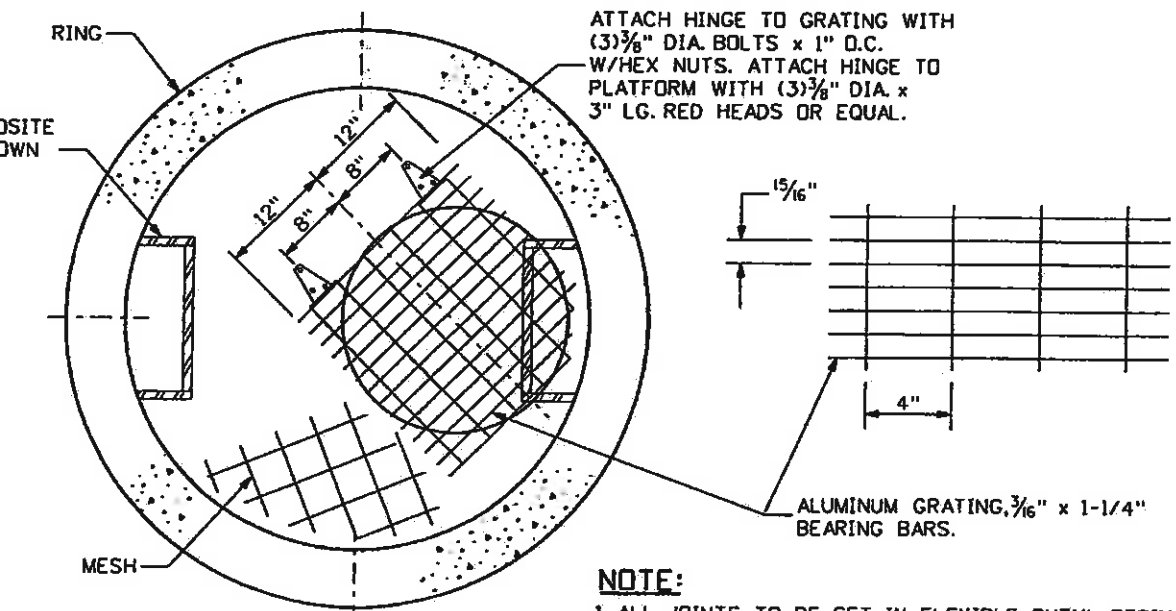
OUTLET NO.	DIMENSIONS					RIPRAP TYPE	QUANTITIES		NOTES
	D (IN)	W (FT)	L (FT)	T (IN)	d50 (IN)		RIPRAP (12 INCH) (CY)	FILTER MATERIAL (CL A) (CY) (SEE NOTE 3)	
X1	24	8	8	24	12	M	8	6	

TABULATION OF RIPRAP AND FILTER MATERIAL

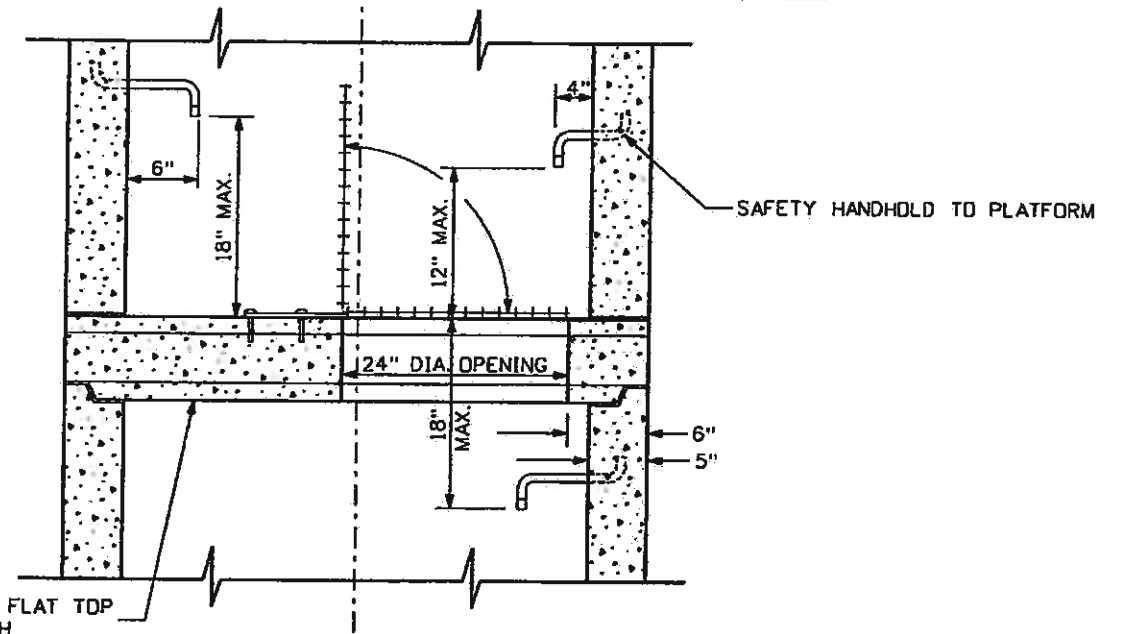
1. THESE QUANTITIES HAVE BEEN CARRIED FORWARD TO THE TABULATION OF STORM DRAIN SYSTEM.
2. THE CONCRETE TOEWALL SHALL BE INCLUDED IN THE COST OF RIPRAP (12 INCH).
3. FILTER MATERIAL (CLASS A) IS FOR INFORMATION ONLY AND SHALL BE INCLUDED IN THE COST OF RIPRAP (12 INCH)

LOW TAILWATER BASIN AT OUTLET
N.T.S.

ALIGN STEPS ABOVE & OPPOSITE PLATFORM OPENINGS AS SHOWN TO TOP OF MANHOLE



NOTE:
1. ALL JOINTS TO BE SET IN FLEXIBLE BUTYL RESIN SEALING COMPOUND AND PLASTERED WITH MORTAR 5/8" THICK AND EXTENDING 4" EACH SIDE OF JOINT INSIDE AND OUTSIDE.



TO BE USED WHEN THE DISTANCE FROM INVERT TO TOP OF COVER EXCEEDS 17 FT.

INTERMEDIATE PLATFORM FOR MANHOLES OVER 17' IN DEPTH
N.T.S.
(FOR INFORMATION ONLY)



FELSBURG
HOLT &
ULLEVIG

Print Date: 11/4/2009

Drawing File Name: 06193DET02.dgn

Horiz. Scale: 1:1

Vert. Scale: As Noted

Unit Information

Unit Leader Initials

(R-X)

000

000

000

Sheet Revisions

Date	Comments	Init.

Colorado Department of Transportation



714 Grand Avenue, P.O. Box 298
Eagle, CO 81631
Phone: 970-328-6385 FAX: 970-328-2368

Region 3

MLM

As Constructed

No Revisions: 6-6-2011

Revised:

Void:

EDWARDS INTERCHANGE UPGRADE
EDWARDS ACCESS RD
DRAINAGE DETAIL

Designer: CDT
Detailer: RSA
Sheet Subset: DRAINAGE
Structure Numbers
Subset Sheets: DD-2 of 8

Project No./Code

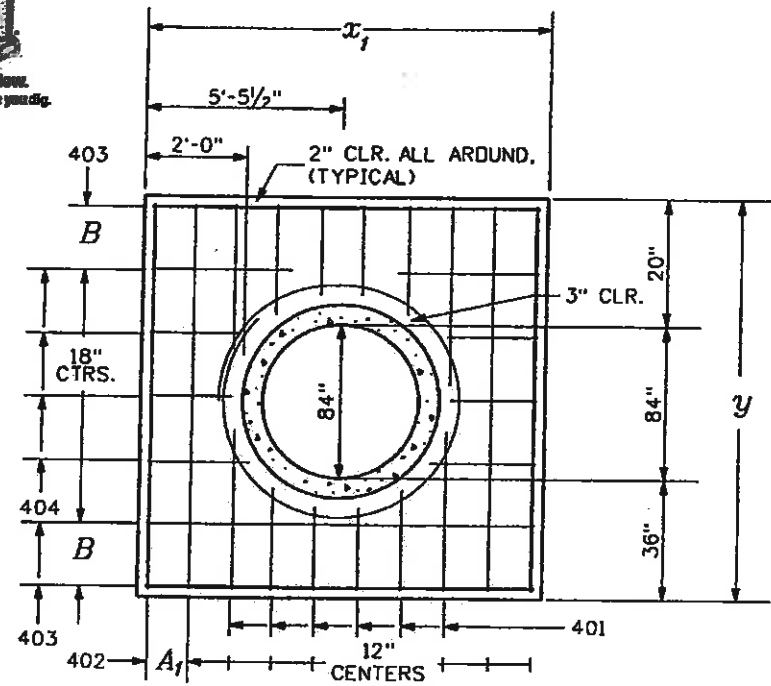
ES3 0702-297

17303

Sheet Number 132

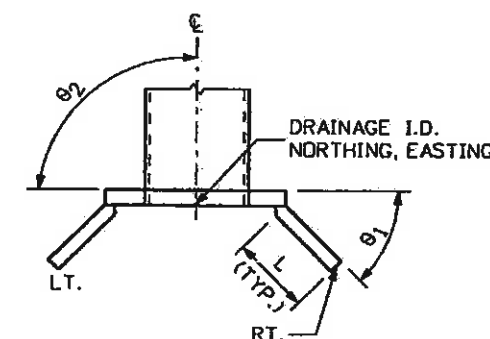
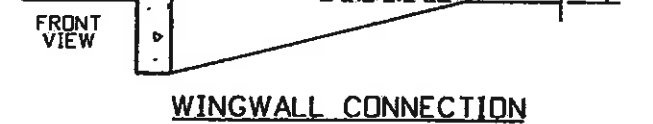
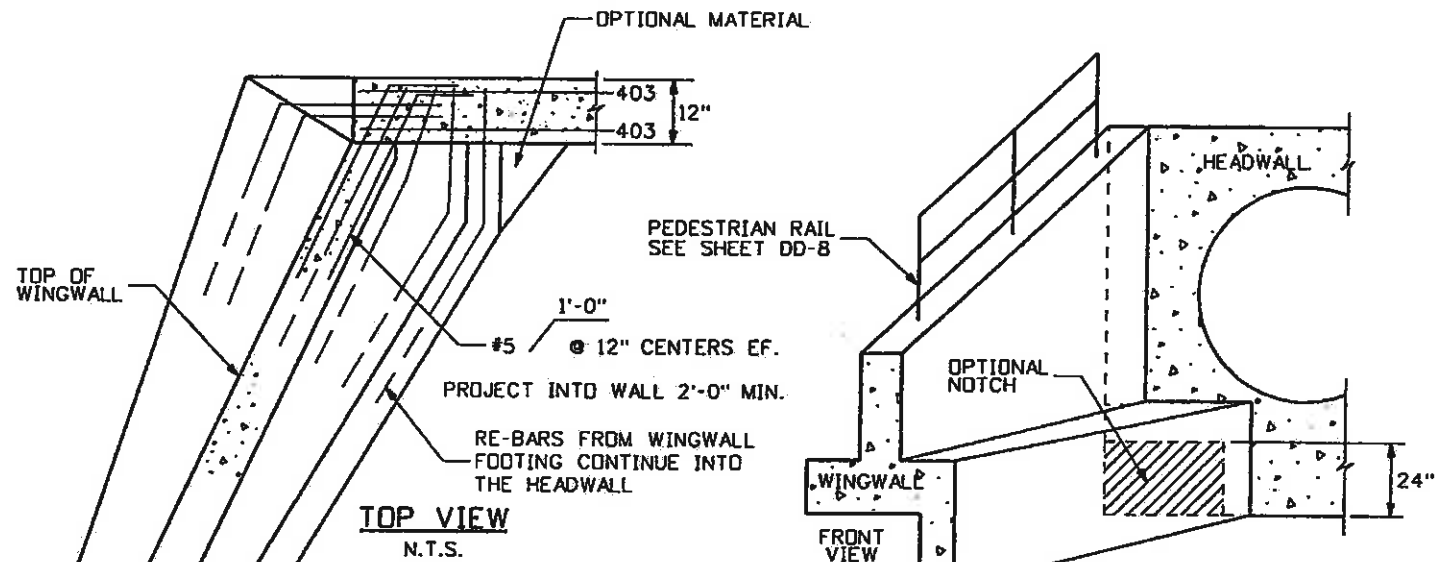
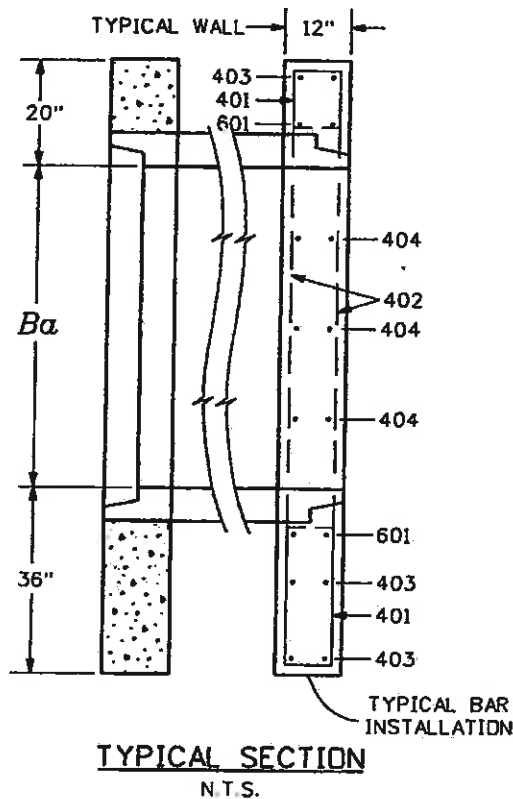


Know what's below.
Call before you dig.



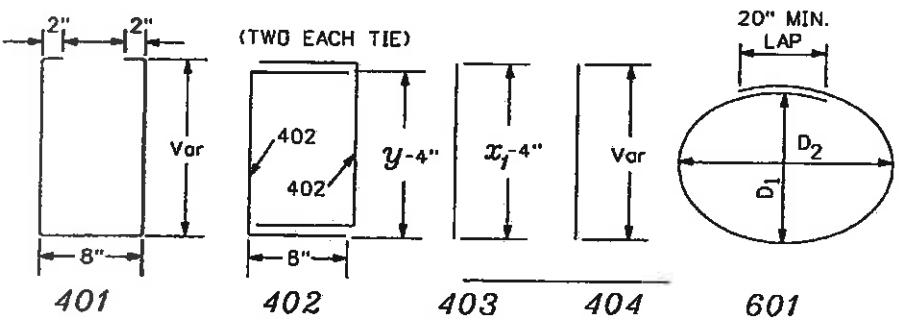
TYPICAL BAR LAYOUT @ 84" RCP HEADWALL (90° SKEW)

NOTE:
1. FOR RAIL DETAILS SEE DD-8



DRAINAGE I.D.	WINGWALL I.D.	NORTHING, EASTING	θ_1	θ_2	L	H	K
S1	LT.	63672.08, 93780.21	45°	90°	15'-0"	8'-8"	2'-0"
	RT.		45°	90°	15'-0"	8'-8"	2'-0"
T1	LT.	63889.77, 94000.98	65°	90°	20'-0"	8'-8"	2'-0"
	RT.		45°	90°	15'-0"	8'-8"	2'-0"

TYPICAL WINGWALL DIMENSIONS
FOR WINGWALL PLAN VIEW, SEE SHEET DR-1



BAR BENDING

DIMENSIONS

I.D.	Ba	x_1	y	A_1	B	D_1	D_2
	in.	ft.-in	ft.-in	in.	in.	in.	in.
S1	84	12-6	11-8	7	14	106	106
T2	84	12-6	11-8	7	14	106	106

HEADWALL/WINGWALL SUMMARY OF APPROXIMATE QUANTITIES

ITEM NO	DESCRIPTION	UNIT	APPROXIMATE QUANTITIES	
			S1	T1
601	CONCRETE CLASS D	CY	17	20
602	REINFORCING STEEL ϕ 1	LB	1300	1500

QUANTITIES INCLUDE WINGWALLS.
 1 ALL REINFORCING STEEL SHALL BE INCLUDED IN THE COST OF CONCRETE CLASS D (FOR INFORMATION ONLY).
 THESE QUANTITIES HAVE BEEN CARRIED FORWARD TO THE TABULATION OF STORM DRAIN SYSTEM.

GENERAL NOTES

- HEADWALL SHALL BE POSITIONED TO THE CULVERT ϵ AS SHOWN ON THE PLANS.
- VOLUME OCCUPIED BY PIPE HAS BEEN DEDUCTED FROM STEEL AND CONCRETE QUANTITIES.
- EXPOSED CONCRETE CORNERS SHALL BE CHAMFERED $\frac{3}{4}$ ".
- ALL BARS SHALL HAVE A MINIMUM CLEARANCE, UNLESS OTHERWISE SHOWN ON THE PLANS.
- HEADWALL INSTALLATIONS SHALL FOLLOW CDDT M&S STANDARD M-601-10.
- FOR ADDITIONAL WINGWALL INSTALLATION DETAILS FOLLOW CDDT M&S STANDARD M-601-20.
- FOR PIPE PROFILES SEE SHEET CP-1.

CONCRETE HEADWALL AND WINGWALL DETAILS



Print Date: 11/4/2009
 Drawing File Name: 06193DE103.dgn
 Horiz. Scale: 1:1
 Unit Information

Sheet Revisions

Date:	Comments	Init.

Colorado Department of Transportation
 714 Grand Avenue, P.O. Box 298
 Eagle, CO 81631
 Phone: 970-328-6385 FAX: 970-328-2368
 Region 3 MLM

As Constructed
 No Revisions: 6-6-2011
 Revised:
 Void:

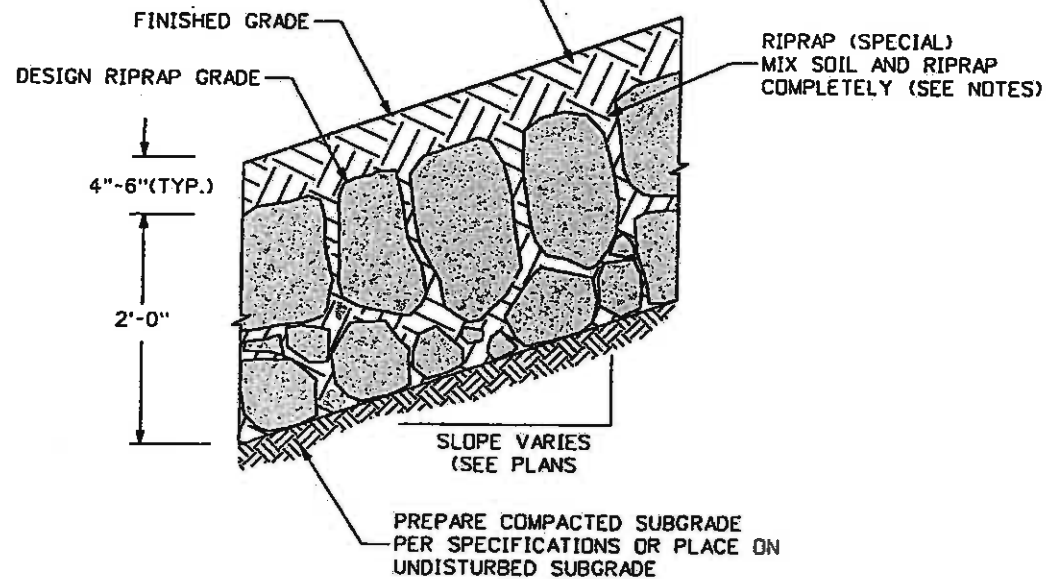
EDWARDS INTERCHANGE UPGRADE
 EDWARDS ACCESS RD
 DRAINAGE DETAIL
 Designer: CDT
 Detailer: RSA
 Sheet Subset: DRAINAGE
 Structure Numbers
 Subset Sheets: DD-3 of 8

Project No./Code
 ES3 0702-297
 17303
 Sheet Number 133



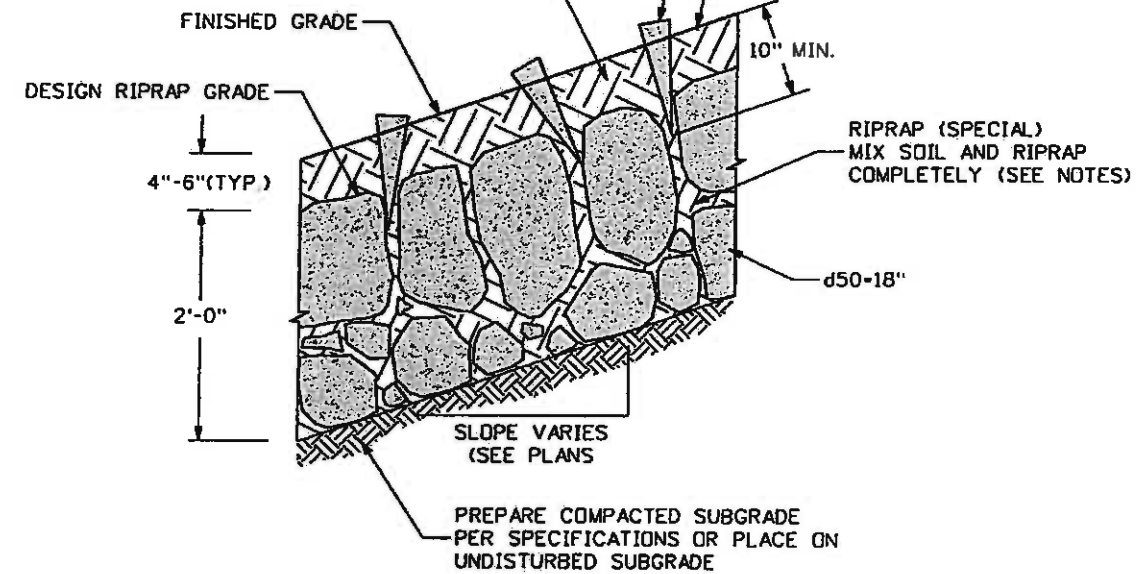
Know what's below.
Call before you dig.

TOPSOIL LAYER AND SEED AND MULCH
AS REQUIRES BY PLANS AND SPECIFICATIONS

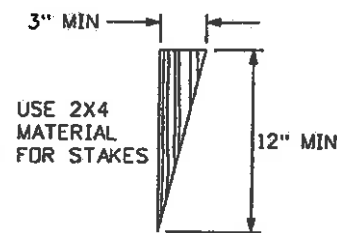


**TYPICAL SECTION
RIPRAP (SPECIAL) WITH MULCH**
N.T.S.

TOPSOIL LAYER AND SEED AND MULCH
AS REQUIRES BY PLANS AND SPECIFICATIONS



**TYPICAL SECTION
RIPRAP (SPECIAL) WITH EROSION CONTROL FABRIC**
N.T.S.



**ONE-INCH THICK
WOOD STAKE DETAIL**
N.T.S.

NOTES:

1. SOIL RIPRAP DETAILS ARE APPLICABLE TO SLOPED AREAS. REFER TO BERRY CREEK PLANS FOR ACTUAL LOCATION AND LIMITS.
2. MIX UNIFORMLY 65% RIPRAP BY VOLUME WITH 35% OF APPROVED SOIL BY VOLUME PRIOR TO PLACEMENT.
3. PLACE STONE-SOIL MIX TO RESULT IN SECURELY INTERLOCKED ROCK AT THE DESIGN THICKNESS AND GRADE. COMPACT AND LEVEL TO ELIMINATE ALL VOIDS AND ROCKS PROJECTING ABOVE DESIGN RIPRAP TOP GRADE.
4. CRIMP OR TACKIFY MULCH OR USE APPROVED HYDROMULCH AS CALLED FOR IN THE PLANS AND SPECIFICATIONS.



**FELSBURG
HOLT &
ULLEVIG**

Print Date: 11/4/2009

Drawing File Name: 06193DET04.dgn

Horiz. Scale: 1:1

Vert. Scale: As Noted

Unit Information

Unit Leader Initials

(R-X)
0000

Sheet Revisions

Date:	Comments	Init.

Colorado Department of Transportation



714 Grand Avenue, P.O. Box 298
Eagle, CO 81631
Phone: 970-328-6385 FAX: 970-328-2368

Region 3

MLM

As Constructed

No Revisions: 6-6-2011

Revised:

Void:

**EDWARDS INTERCHANGE UPGRADE
EDWARDS ACCESS RD
DRAINAGE DETAIL**

Designer:	CDT	Structure Numbers	
Detailer:	RSA		
Sheet Subset:	DRAINAGE	Subset Sheets:	DD-4 of 8

Project No./Code

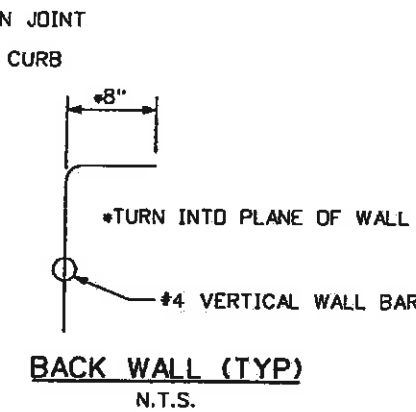
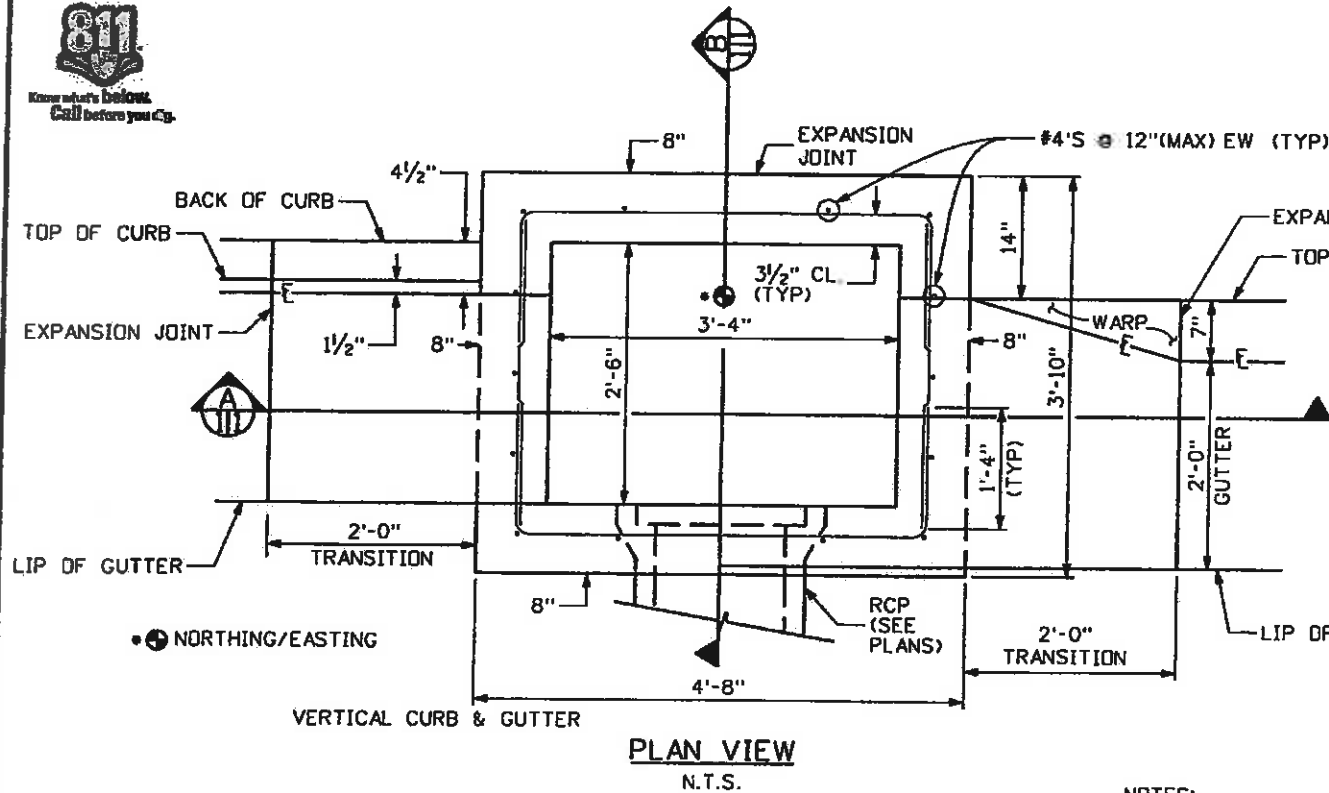
ES3 0702-297

17303

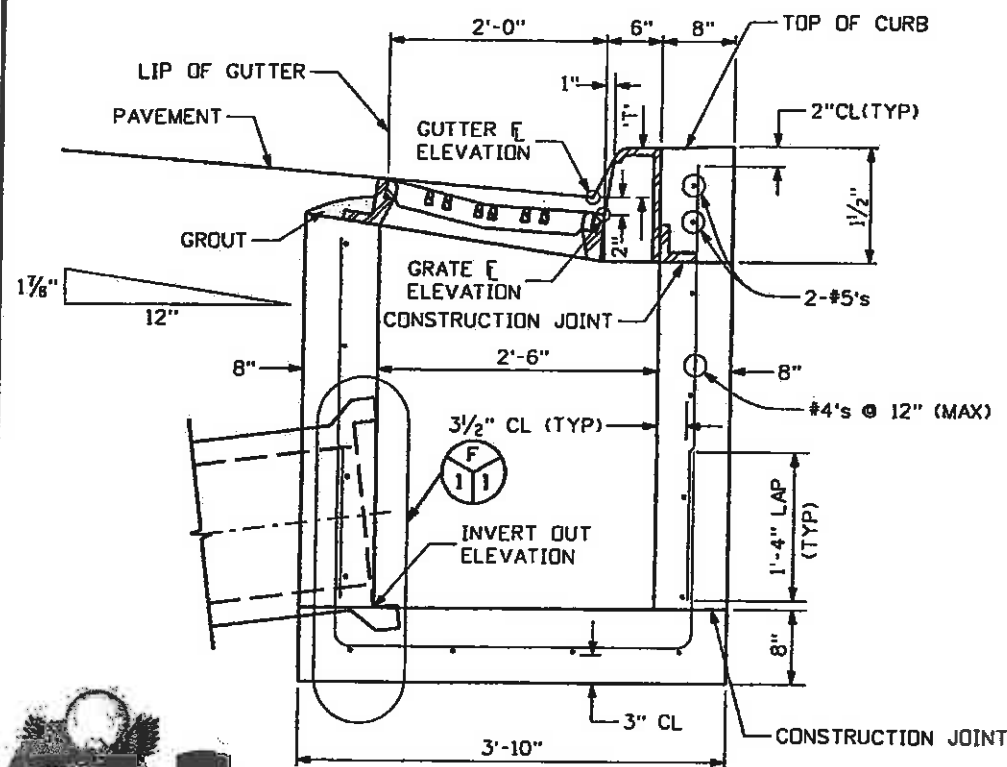
Sheet Number **134**



Know what's below. Call before you dig.



*T = THROAT OPENING
 *T = 6" for 6" VERTICAL CURB & GUTTER
 *T = 5" FOR COMBINATION CURB, GUTTER & SIDEWALK
 DROP FROM GUTTER FL ELEVATION TO GRATE FL ELEVATION (TRANSITION) IS 2"



FELSBURG HOLT & ULLEVIG
 EAGLE COUNTY
 SECTION B N.T.S.

Print Date: 11/4/2009
 Drawing File Name: 061930ET05.dgn
 Horiz. Scale: 1:1
 Unit Information

Sheet Revisions		
Date:	Comments	Init.

Colorado Department of Transportation
 714 Grand Avenue, P.O. Box 298
 Eagle, CO 81631
 Phone: 970-328-6385 FAX: 970-328-2368
 Region 3 MLM

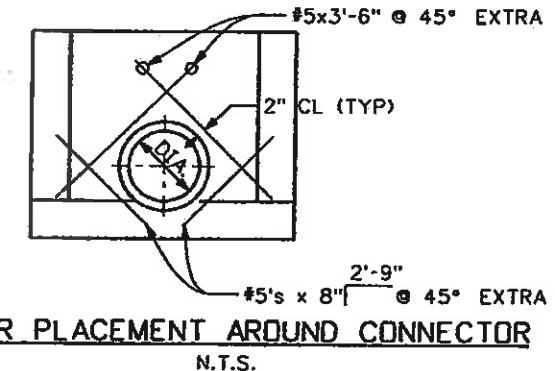
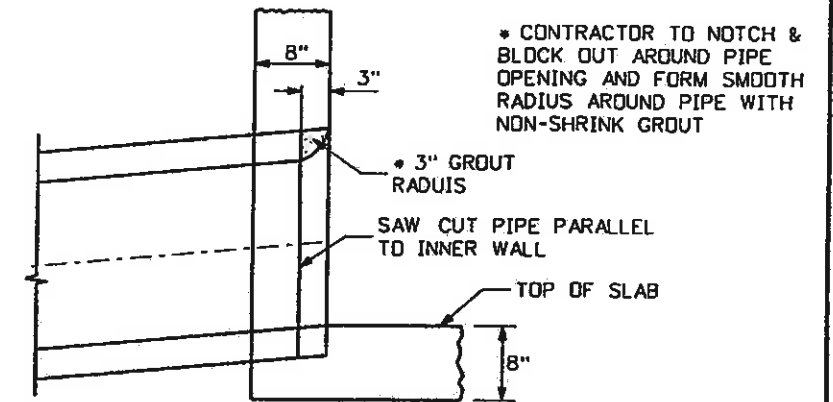
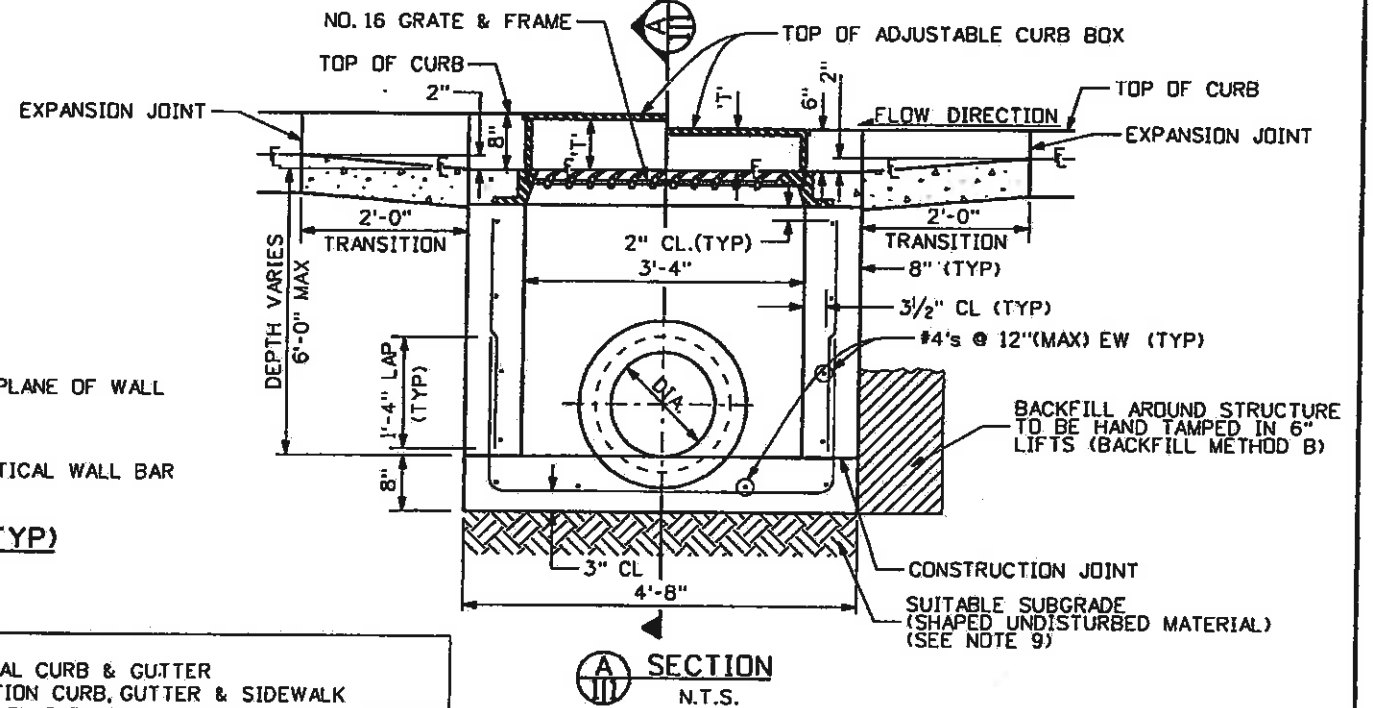
As Constructed
 No Revisions: 6-6-Zell
 Revised:
 Void:

EDWARDS INTERCHANGE UPGRADE
 EDWARDS ACCESS RD
 DRAINAGE DETAIL
 Designer: CDT
 Detailer: RSA
 Sheet Subset: DRAINAGE
 Structure Numbers
 Subset Sheets: DD-5 of 8

Project No./Code
 ES3 0702-297
 17303
 Sheet Number 135

NOTES:

- FOR PAYMENT PURPOSES, INLET STRUCTURE SHALL ALSO INCLUDE 2'-0" CURB AND GUTTER TRANSITION SECTION AT EACH END OF INLET PLUS SIDEWALK SECTIONS WHERE REQUIRED BEHIND INLET STRUCTURE AND TRANSITION SECTIONS.
 - FLOOR SLOPE MAY BE POURED MONOLITHIC WITH BASE.
 - UNLESS OTHERWISE SPECIFIED ON THE DRAWINGS OR OTHERWISE APPROVED, ALL #16 INLETS SHALL BE CONSTRUCTED WITH AN ADJUSTABLE CAST IRON CURB BOX.
 - DESIGN CONDITIONS FOR INLET ALLOWS DEPTHS OF 6' (MAX). FOR INLETS MORE THAN 6' IN DEPTH, SHOP DRAWINGS AND DESIGN ANALYSIS SHALL BE SUBMITTED FOR APPROVAL.
 - ALL REINFORCING STEEL SHALL BE ASTM, A-615, GRADE 60 DEFORMED BARS. DIAMETER OF BEND MEASURED ON THE INSIDE OF THE BAR SHALL BE MINIMUM OF 6 BAR DIAMETERS.
 - CONCRETE SHALL HAVE A 28 DAY STRENGTH OF 4500 PSI.
 - SUB-GRADE SHALL BE A GRADATION EQUAL TO CLASS B BEDDING COMPACTED TO 95% MAXIMUM DRY DENSITY, AASHTO DESIGNATION T-180.
 - NO FORMWORK SHALL REMAIN INSIDE STRUCTURE WHEN COMPLETE.
 - SUB-GRADE SHALL BE SHAPED UNDISTURBED MATERIAL OR OVER EXCAVATED AND BACKFILLED WITH CLASS B BEDDING MATERIAL.
 - SPLICING OF REINFORCING STEEL SHALL BE PERMITTED ONLY WHERE DETAILED IN DRAWINGS.
 - INLET WALLS SHALL BE FORMED BOTH INSIDE AND OUTSIDE. CASTINGS OF SIDEWALLS AGAINST EARTH IS NOT PERMITTED.
 - LEAN CONCRETE FILL TO BE $f_c' = 2000$ PSI.
- * NORTHING/EASTING DISTANCES ARE TO THE CENTER OF THE STRUCTURE AT THE PROJECTED GUTTER FLOWLINE.

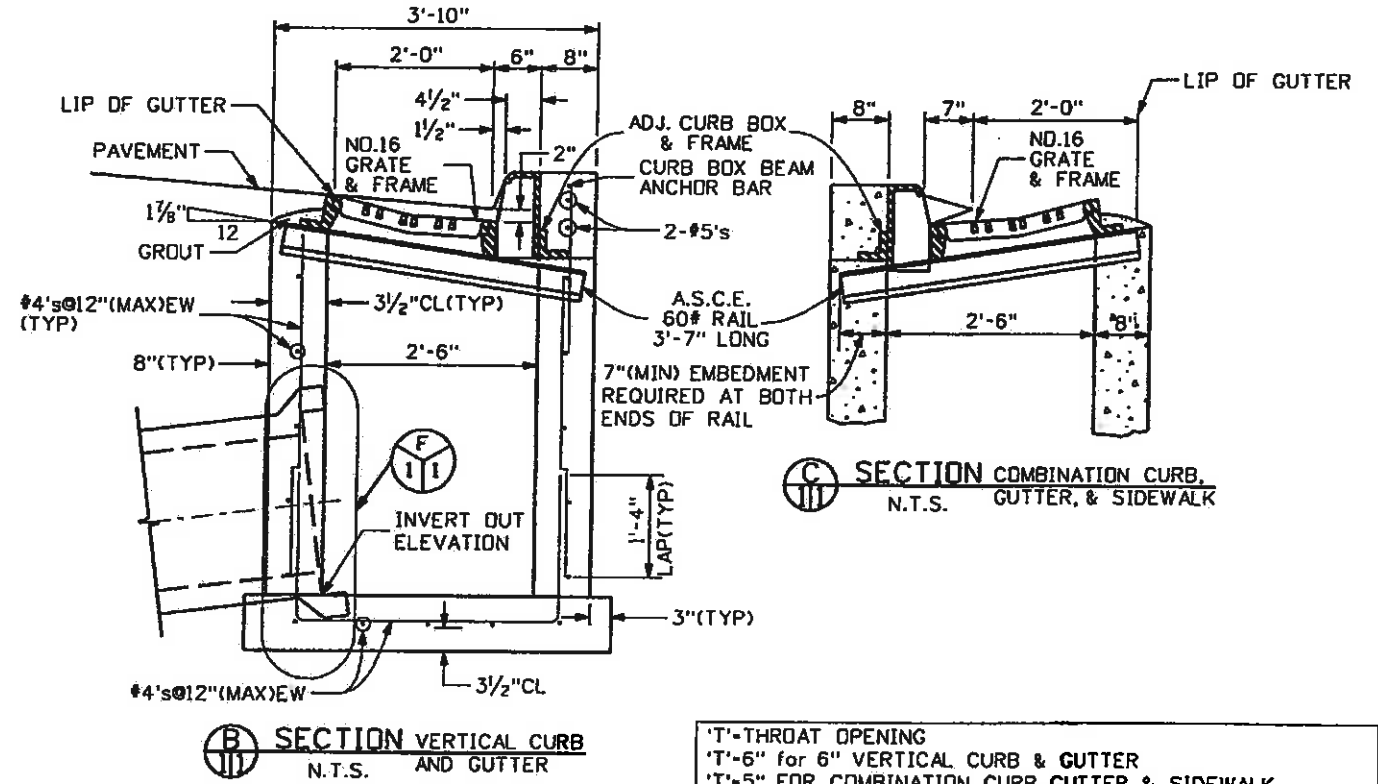
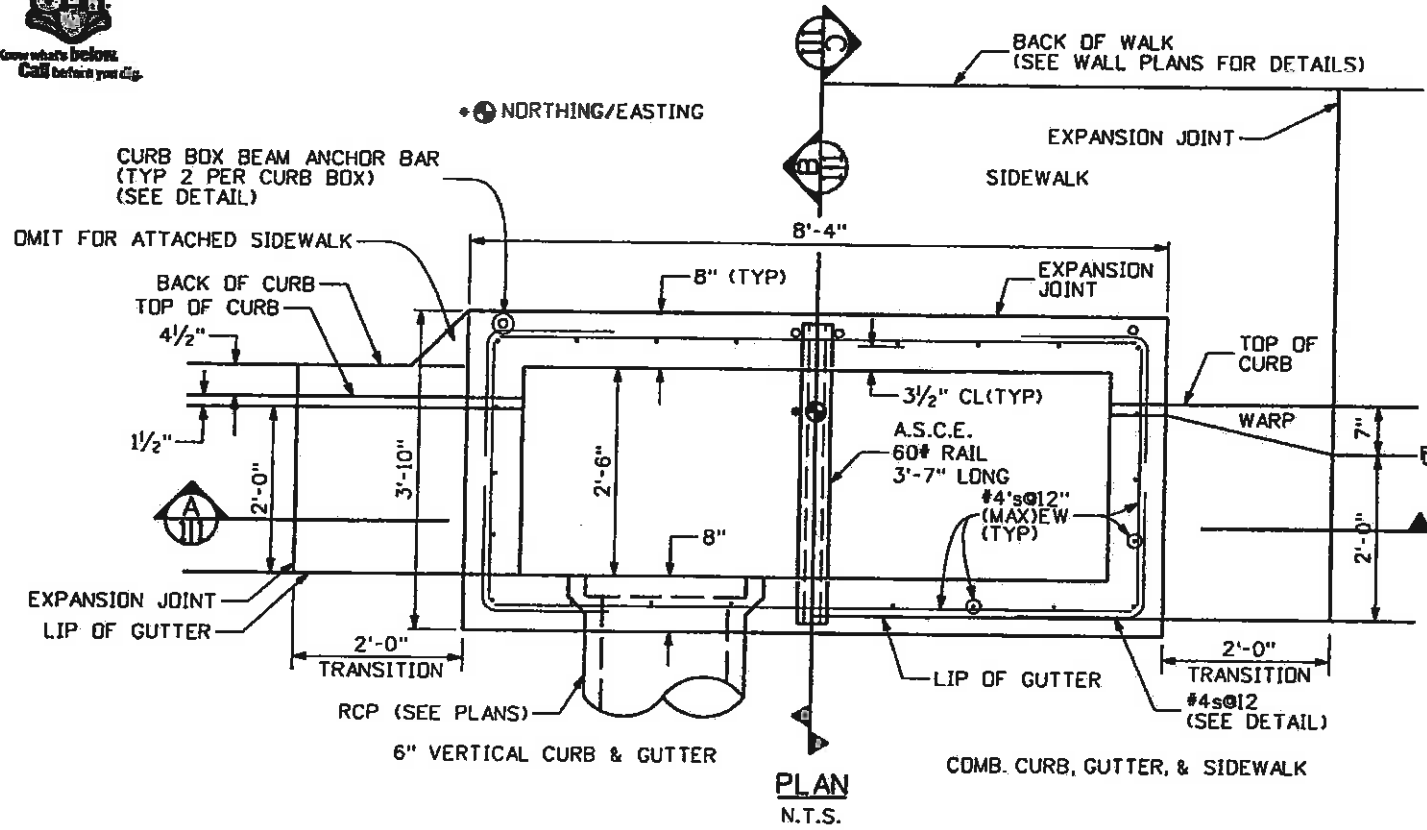


INLET TYPE 16 (SINGLE) DETAIL N.T.S.

REBAR PLACEMENT AROUND CONNECTOR N.T.S.



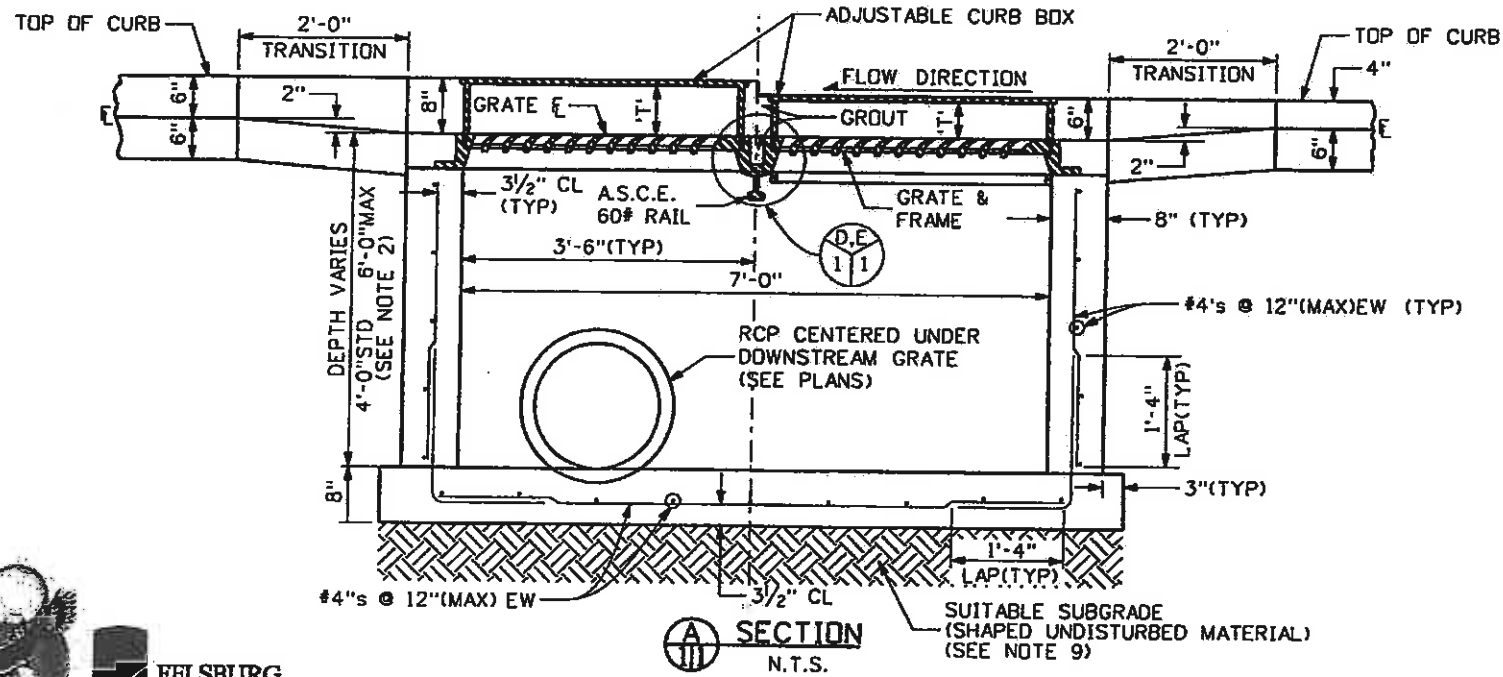
Know what's below. Call before you dig.



'T'-THROAT OPENING
'T'-6" for 6" VERTICAL CURB & GUTTER
'T'-5" for COMBINATION CURB, GUTTER & SIDEWALK
DROP FROM GUTTER FL ELEVATION TO GRATE FL ELEVATION (TRANSITION) IS 2"

NOTES:

- FOR PAYMENT PURPOSES, INLET STRUCTURE SHALL ALSO INCLUDE 2'-0" CURB AND GUTTER TRANSITION SECTION AT EACH END OF INLET PLUS SIDEWALK SECTIONS WHERE REQUIRED BEHIND INLET STRUCTURE AND TRANSITION SECTIONS.
 - STANDARD INLET DEPTH-4'-0". INLETS DEEPER THAN 6' MAXIMUM DEPTH SHALL REQUIRE SUBMISSION OF SHOP DRAWINGS AND DESIGN ANALYSIS FOR APPROVAL.
 - CONCRETE SHALL HAVE A 28 DAY STRENGTH OF 4500 PSI.
 - FLOOR SLOPE MAY BE POURED MONOLITHIC WITH BASE.
 - NO FORMWORK SHALL REMAIN INSIDE STRUCTURE WHEN COMPLETED.
 - ALL REINFORCING STEEL SHALL BE ASTM, A-615, GRADE 60 DEFORMED BARS. DIAMETER OF BEND MEASURED ON THE INSIDE OF THE BAR SHALL BE A MINIMUM OF 6 BAR DIAMETERS.
 - ALL REINFORCING STEEL SHALL BE 2" (MIN) CLEARANCE FROM FORMED SURFACES, AND 3" CLEARANCE AGAINST EARTH UNLESS OTHERWISE NOTED.
 - SPLICING OF REINFORCING STEEL SHALL BE PERMITTED ONLY WHERE DETAILED IN DRAWINGS.
 - SUB-GRADE SHALL BE SHAPED UNDISTURBED MATERIAL OR OVER EXCAVATED AND BACKFILLED WITH CLASS B BEDDING MATERIAL.
 - SUB-GRADE SHALL BE A GRADATION EQUAL TO CLASS B BEDDING COMPACTED TO 95% MAXIMUM DRY DENSITY, AASHTO DESIGNATION T-180.
 - BACKFILL AROUND STRUCTURE TO BE HAND TAMPED IN 6" LIFTS. (BACKFILL METHOD B).
 - INLET WALLS SHALL BE FORMED BOTH INSIDE AND OUTSIDE. CASTINGS OF SIDEWALLS AGAINST EARTH IS NOT PERMITTED.
 - LEAN CONCRETE FILL TO $bc'f = 2000$ PSI.
- * NORTHING/EASTING DISTANCES ARE TO THE CENTER OF THE STRUCTURE AT THE PROJECTED FLOWLINE.



FELSBURG HOLT & ULLEVIG

Print Date: 11/4/2009

Drawing File Name: 06193DET06.dgn

Horiz. Scale: 1:1

Vert. Scale: As Noted

Unit Information

Unit Leader Initials

(R-X)

0000

Sheet Revisions

Date:	Comments	Init.

Colorado Department of Transportation



714 Grand Avenue, P.D. Box 298
Eagle, CO 81631
Phone: 970-328-6385 FAX: 970-328-2368

Region 3

MLM

As Constructed

No Revisions: 6-6-2611

Revised:

Void:

EDWARDS INTERCHANGE UPGRADE
EDWARDS ACCESS RD
DRAINAGE DETAIL

Designer: CDT

Detailer: RSA

Sheet Subset: DRAINAGE

Project No./Code

ES3 0702-297

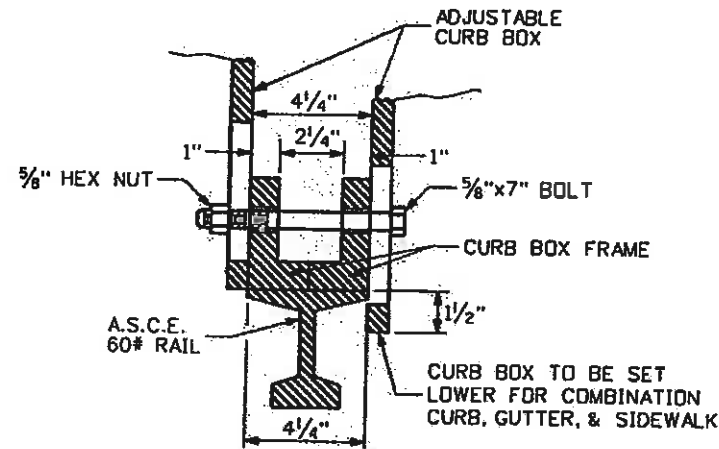
17303

Sheet Number 136

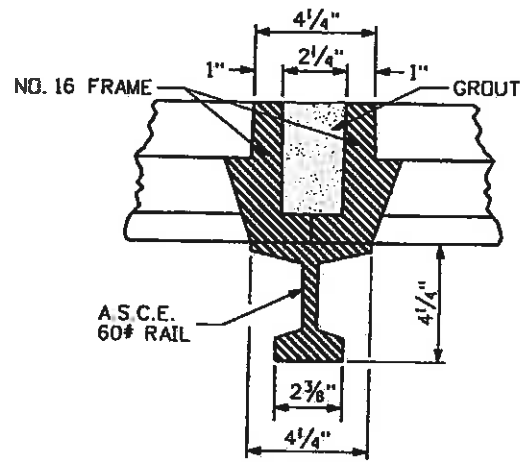
Structure

Numbers

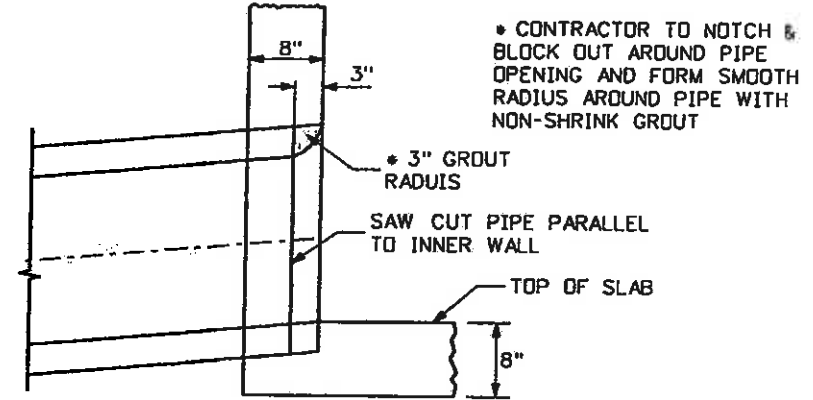
Subset Sheets: DD-6 of 8



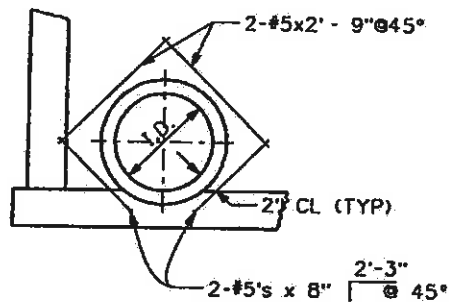
PLACEMENT OF ADJUSTABLE CURB BOX ON SUPPORT RAIL (TYP)



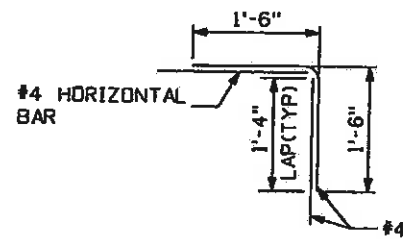
FRAME PLACEMENT ON SUPPORT RAIL (TYP)



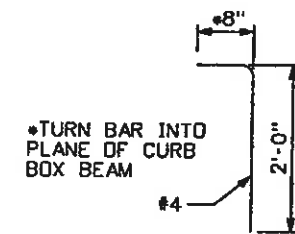
CONNECTOR PIPE END TREATMENT (TYP) (PREFERRED) N.T.S.



REBAR PLACEMENT INLET WALL PENETRATION N.T.S.



TYPICAL CORNER REBAR PLACEMENT N.T.S.



CURB BOX BEAM ANCHOR BAR (TYP) N.T.S.

INLET TYPE 16 (DOUBLE) DETAIL N.T.S.



FELSBURG
HOLT &
ULLEVIG

Print Date: 11/4/2009

Drawing File Name: 061930ET07.dgn

Horiz. Scale: 1:1

Vert. Scale: As Noted

Unit Information

Unit Leader Initials

(R-X)

00

00

00

Sheet Revisions

Date:	Comments	Init.

Colorado Department of Transportation



714 Grand Avenue, P.O. Box 298
Eagle, CO 81631
Phone: 970-328-6385 FAX: 970-328-2368

Region 3

MLM

As Constructed

No Revisions: 6-6-2011

Revised:

Void:

EDWARDS INTERCHANGE UPGRADE
EDWARDS ACCESS RD
DRAINAGE DETAIL

Designer: CDT
Detailer: RSA

Sheet Subset: DRAINAGE
Subset Sheets: DD-7 of 8

Project No./Code

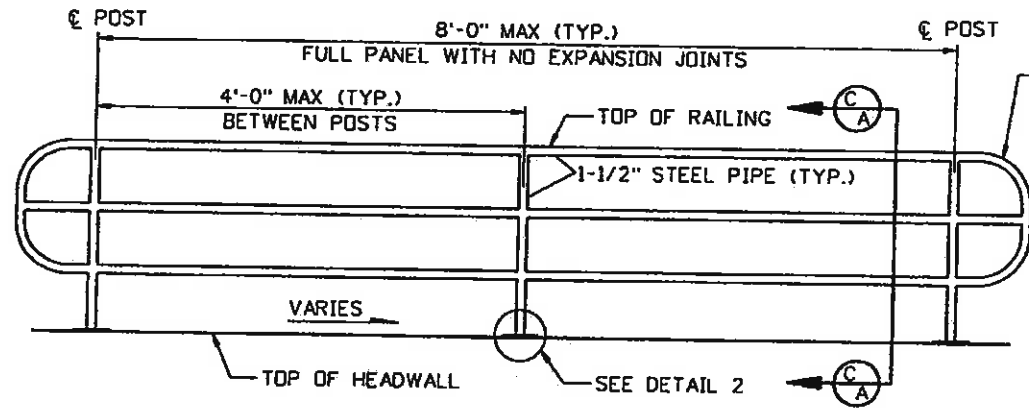
ES3 0702-297

17303

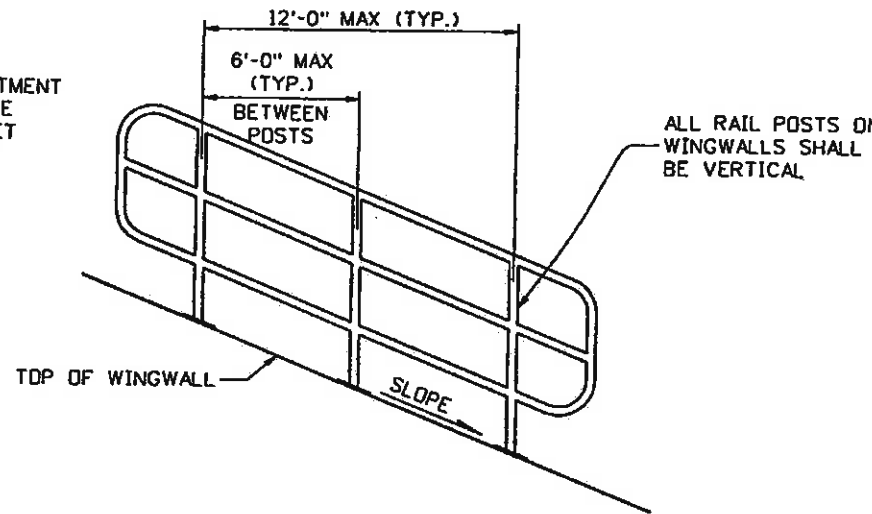
Sheet Number 137



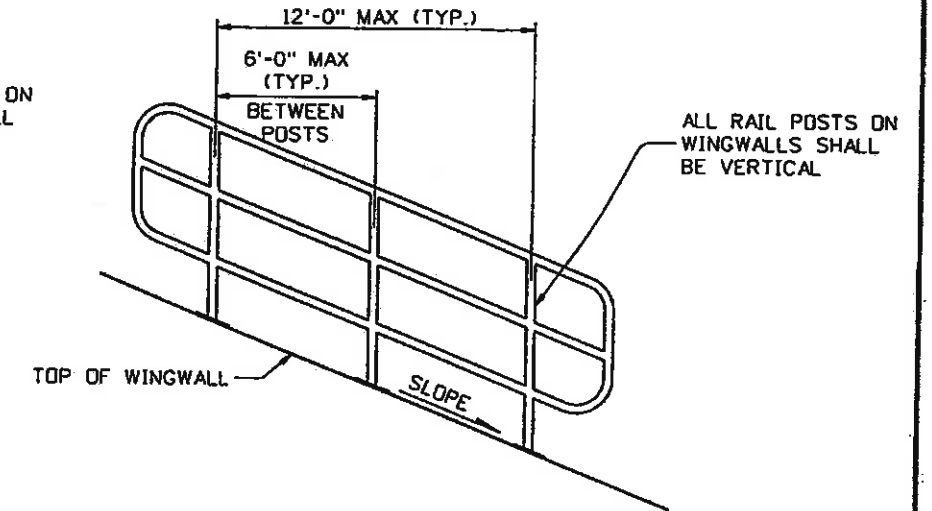
Know what's below.
Call before you dig.



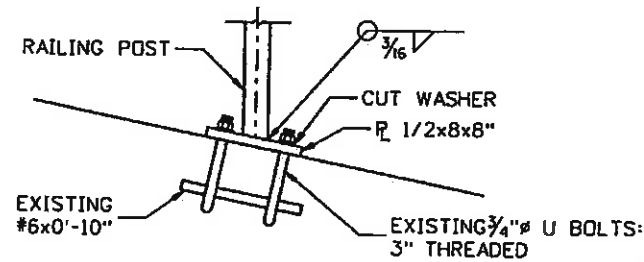
ELEVATION VIEW OF HEADWALL RAILING
N.T.S.



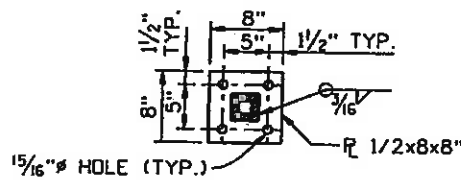
ELEVATION VIEW OF WINGWALL "A" RAILING
N.T.S.



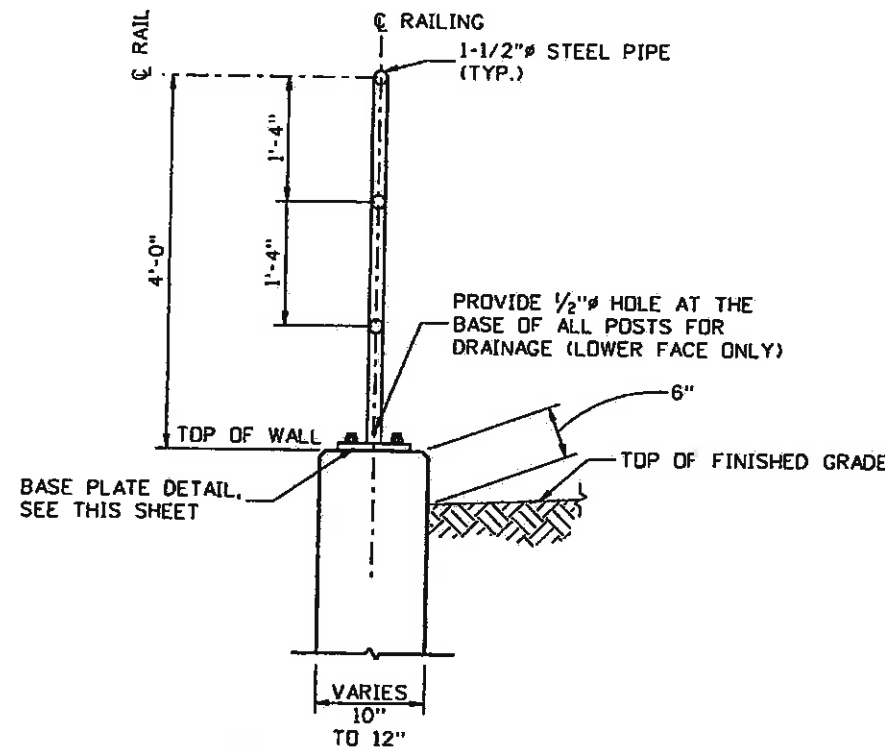
ELEVATION VIEW OF WINGWALL "B" RAILING
N.T.S.



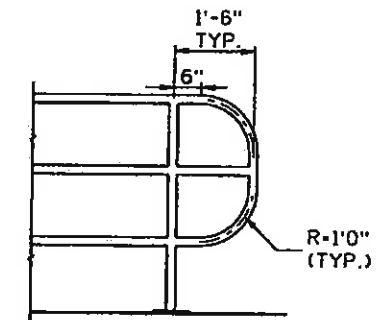
DETAIL 2 ANCHORAGE DETAIL
N.T.S.



BASE PLATE DETAIL
N.T.S.



SECTION C-A
N.T.S.



TYPICAL END TREATMENT DETAIL
N.T.S.

NOTES:

1. WORK SHALL BE IN ACCORDANCE WITH SECTION 514, COLOR SHALL BE BLACK.
2. ALL PIPE SHALL BE 1.5" X-STRONG (SCHEDULE 80) STEEL PIPE CONFORMING TO ASTM A53, TYPE E OR S, GRADE B (fy=35 ksi).
3. INSTALLATION OF PIPE RAILING SHALL BE COMPLETE IN PLACE AND PAID FOR AS 514 PIPE RAILING. ITEMS NECESSARY FOR COMPLETE INSTALLATION OF PIPE RAILING SUCH AS PLATES, BOLTS, AND NUTS SHALL NOT BE PAID FOR SEPARATELY BUT SHALL BE INCLUDED IN ITEM 514 PIPE RAILING.
4. ALL OTHER STRUCTURAL STEEL SHALL BE ASTM A36 (fy=36 ksi).
5. ANCHORAGE ASSEMBLY (PLATES, BOLTS & NUTS) SHALL BE GALVANIZED AFTER FABRICATION.
6. THE CONTRACTOR SHALL FIELD-MEASURE THE WINGWALLS AND BASE PLATE LOCATIONS PRIOR TO FABRICATION OF PIPE RAILING TO VERIFY DIMENSION REQUIREMENTS.
7. SHALL BE PAID FOR AS 514 PIPE RAILING, LF.



**FELSBURG
HOLT &
ULLEVIG**

Print Date: 11/4/2009

Drawing File Name: 06193DET08.dgn

Horiz. Scale: 1:1

Vert. Scale: As Noted

Unit Information

Unit Leader Initials

(R-X)

000

000

000

Sheet Revisions

Date:	Comments	Init.

Colorado Department of Transportation



714 Grand Avenue, P.O. Box 298
Eagle, CO 81631
Phone: 970-328-6385 FAX: 970-328-2368

Region 3

MLM

As Constructed

No Revisions: 6-6-2011

Revised:

Void:

**EDWARDS INTERCHANGE UPGRADE
EDWARDS ACCESS RD
DRAINAGE DETAIL**

Designer:	CDT	Structure Numbers	
Detailer:	RSA		
Sheet Subset:	DRAINAGE	Subset Sheets:	DD-8 of 8

Project No./Code

ES3 0702-297

17303

Sheet Number: **138**