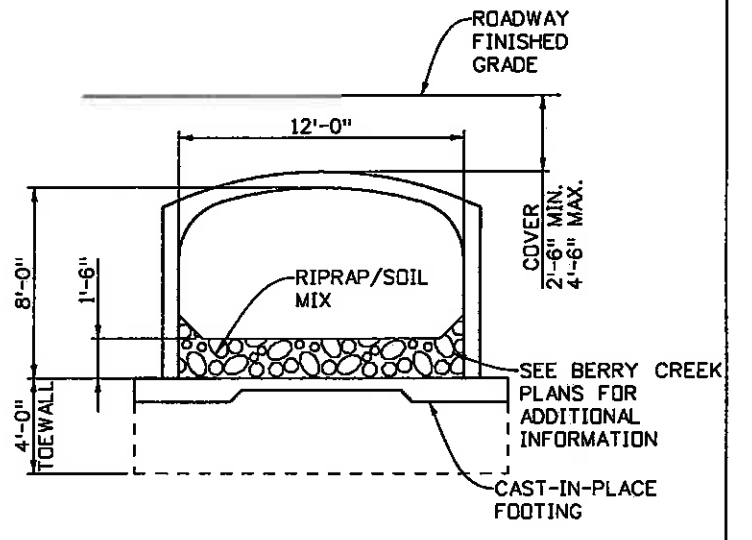
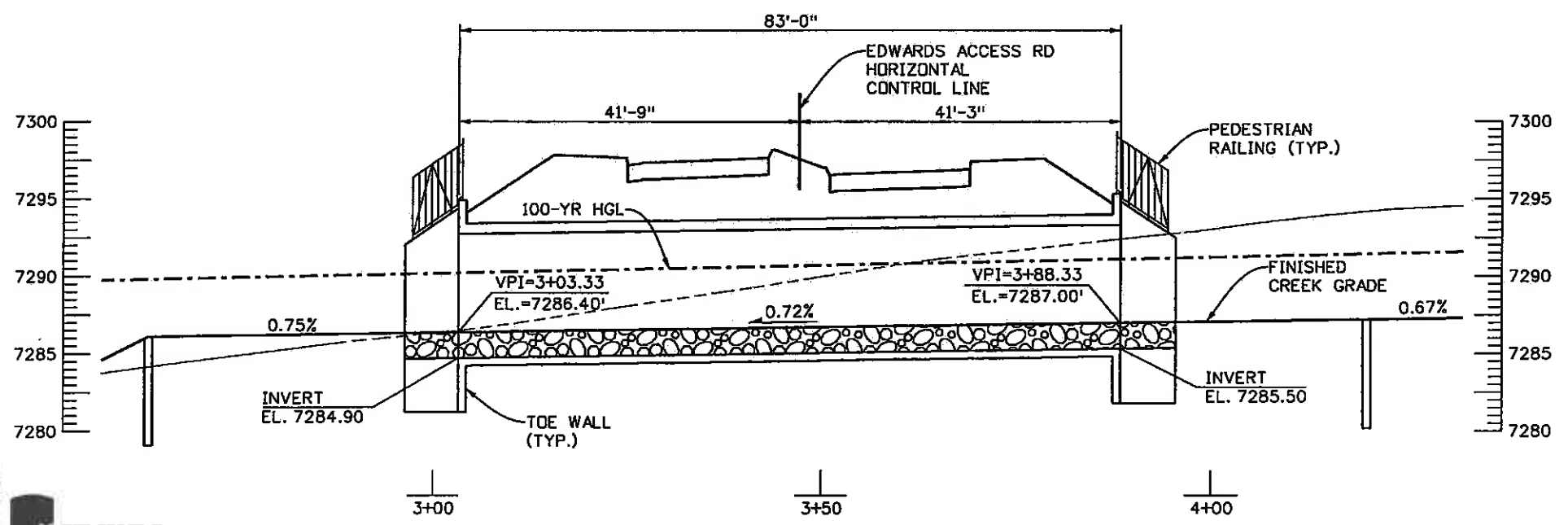


PLAN



TYPICAL SECTION



LONGITUDINAL SECTION

SUMMARY OF QUANTITIES			
ITEM NO.	DESCRIPTION	UNIT	TOTAL
514	PEDESTRIAN RAILING (STEEL)	LF	67
601	CONCRETE CLASS D (BOX CULVERT)	CY	53
*601	CUT STONE VENEER	SF	320
602	REINFORCING STEEL	LB	3,960
603	CONCRETE ARCH CULVERT (PRECAST)	LF	83

* FUTURE - FOR INFORMATION ONLY

NOTE:
SEE PROJECT SPECIAL PROVISION SECTION 631
FOR ADDITIONAL INFORMATION.

Revision Dates	Quantity
(Preliminary Stage Only)	

Design	Detail	Check	Quantity
INITIAL	DATE	DATE	DATE
DESIGNED BY	06-08	08-08	08-08
CHECKED BY	PRS	PRS	PRS
DESIGNED BY	DATE	DATE	DATE
CHECKED BY	06-08	08-08	08-08
DESIGNED BY	PRS	PRS	PRS
CHECKED BY	DATE	DATE	DATE
	06-08	08-08	08-08
	PRS	PRS	PRS



Print Date: 11/12/2009	Sheet Revisions
Drawing File Name: 06193CULVERTGLA01.dgn	Date: Comments Init.
Horiz. Scale: 1:20	
Vert. Scale: As Noted	
Unit Information	Unit Leader Initials

Sheet Revisions		
Date:	Comments	Init.

Colorado Department of Transportation

714 Grand Avenue, P.O. Box 298
Eagle, CO 81631
Phone: 970-328-6385 FAX: 970-328-2368

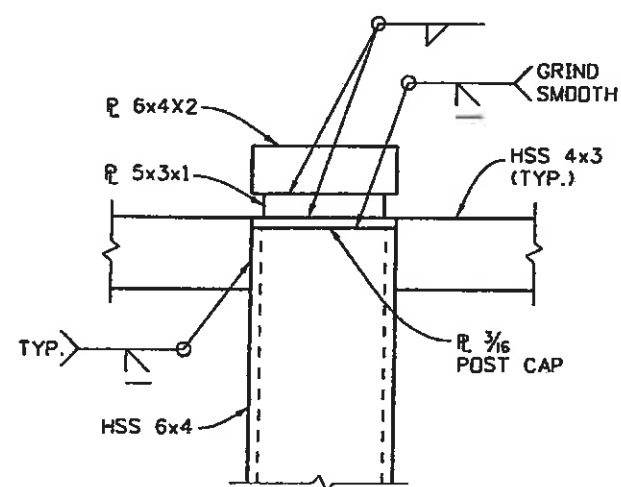
Region 3 MLM

As Constructed
No Revisions: 6-6-2011
Revised:
Void:

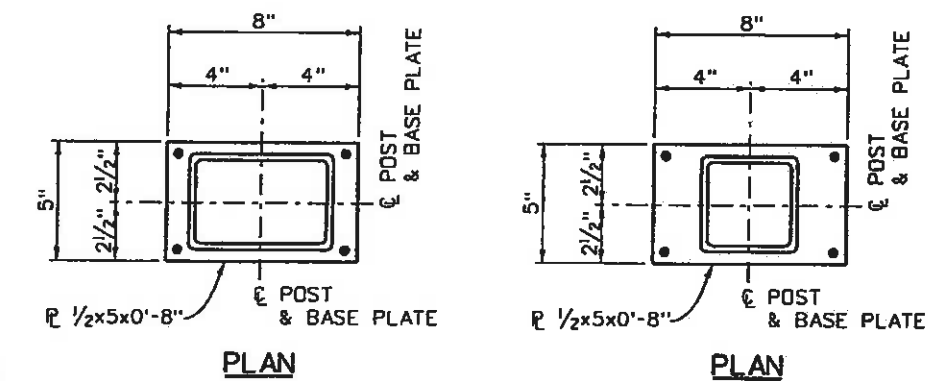
EDWARDS INTERCHANGE UPGRADE BERRY CREEK CULVERT GENERAL LAYOUT	
Designer: P. STEIN	Structure Numbers
Detailer: K. SCHNIEDER	
Sheet Subset: CULVERT	Subset Sheets: C1 of 3

Project No./Code
ES3 0702-297
17303
Sheet Number

Revision Dates (Preliminary Stage Only)	DATE	INITIAL	DATE	INITIAL	DATE	INITIAL	DATE	INITIAL	DATE	INITIAL	DATE
Designed By	Checked By	DESIGNED BY	CHECKED BY	DESIGNED BY	CHECKED BY	DESIGNED BY	CHECKED BY	DESIGNED BY	CHECKED BY	DESIGNED BY	CHECKED BY

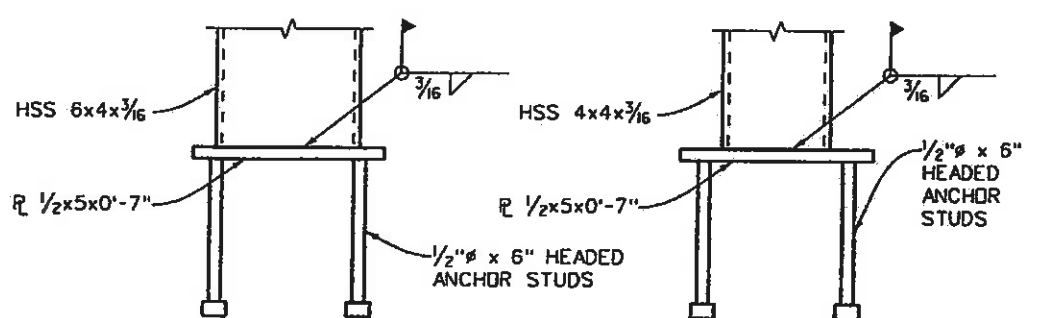


CAP ASSEMBLY DETAIL



PLAN

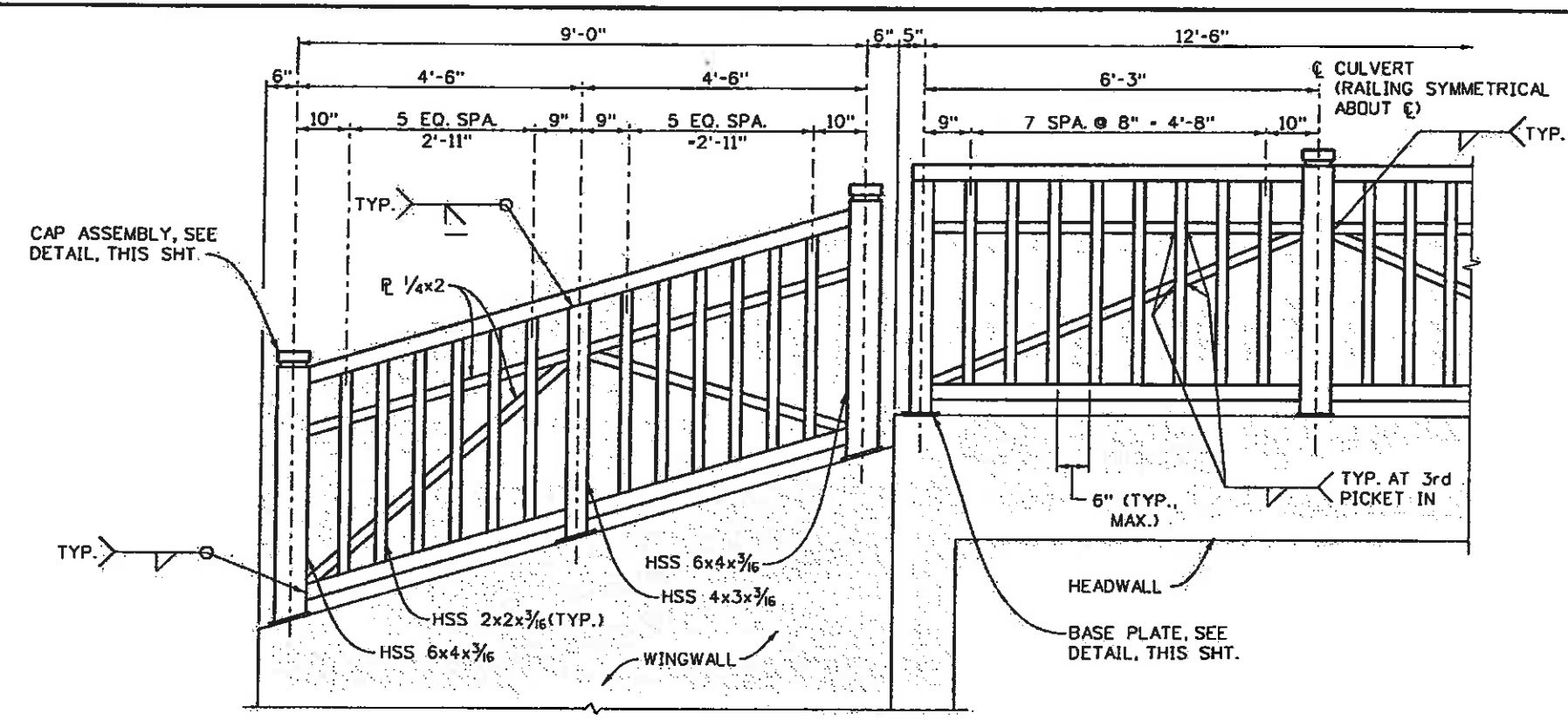
PLAN



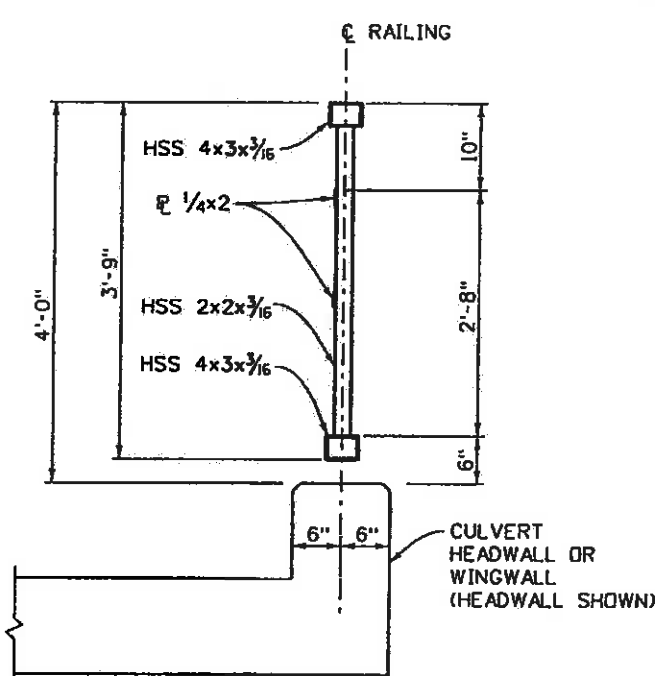
ELEVATION

ELEVATION

BASE PLATE DETAILS (GALVANIZE AFTER FABRICATION)



PARTIAL OVERALL ELEVATION (LOOKING AT ROADWAY SIDE OF RAILING)



TYPICAL PEDESTRIAN RAILING SECTION

NOTES:

1. RAILING PANELS SHALL BE FABRICATED TO FIT THE GRADE OF THE TOP OF THE WINGWALLS & HEADWALLS. VERTICAL MEMBERS OF THE PANELS SHALL BE PLUMB AFTER ERECTION.
2. RAILING PANELS SHALL BE PAINTED AFTER FABRICATION IN ACCORDANCE WITH SECTION 509 OF THE CDD STANDARD SPECIFICATIONS THE COLOR SHALL BE EQUIVALENT TO FEDERAL STANDARD 525B, COLOR NO. 14241.
3. PRIOR TO FABRICATION OF THE RAILING, THREE SETS OF SHOP DRAWINGS WHICH COMPLY WITH THE REQUIREMENTS OF SECTION 105, SHALL BE SUBMITTED TO THE ENGINEER FOR APPROVAL.

STRUCTURAL STEEL:
 STRUCTURAL TUBING: ASTM A-500 GRADE B
 BAR & PLATE: ASTM A-709 GRADE 36

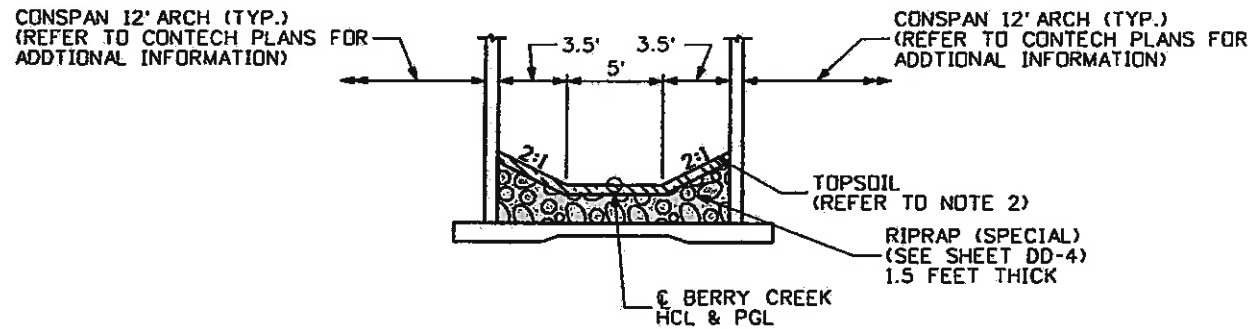
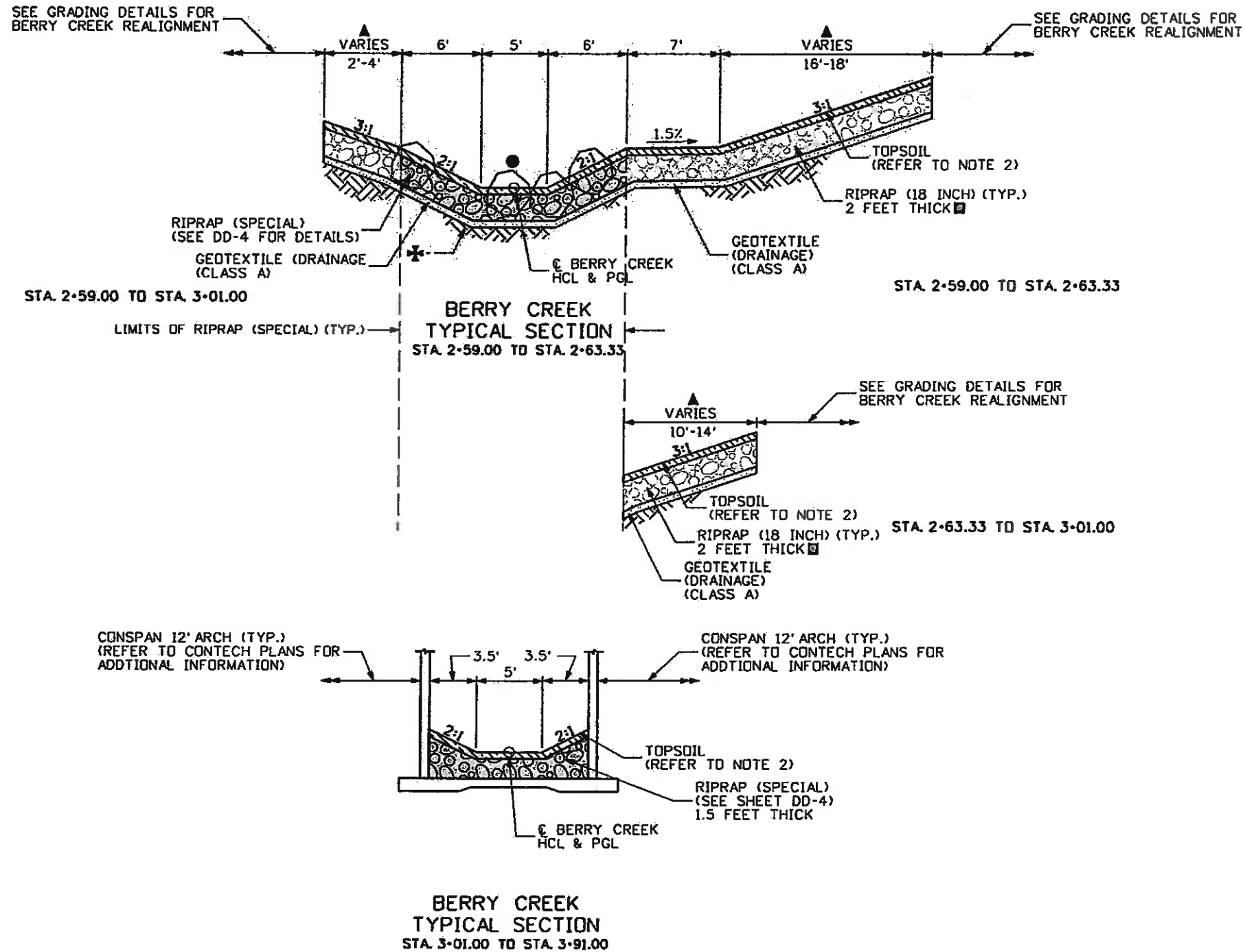


Print Date: 11/4/2009	Sheet Revisions			Colorado Department of Transportation		As Constructed	EDWARDS INTERCHANGE UPGRADE		Project No./Code
Drawing File Name: 06193CULVERTRAILO1.DGN	Date:	Comments:	Init.	714 Grand Avenue, P.O. Box 298 Eagle, CD 81631 Phone: 970-328-6385 FAX: 970-328-2368		No Revisions: 6-6-2011	BERRY CREEK CULVERT		ES3 0702-297
Horiz. Scale: 1:1				Region 3		Revised:	PEDESTRIAN RAILING DETAILS		17303
Unit Information				MLM		Void:	Designer: P. STEIN	Structure Numbers	Sheet Number 41
Unit Leader Initials							Detailer: R. DILLON	Subset Sheets: C3 of 3	

Sheet 142 was not in the final plan set.



Know what's below.
Call before you dig.



NOTES:

- 1.) BREAK POINTS ON SLOPES AND IN BOTTOMS OF CREEK SHALL BE ROUNDED DURING CONSTRUCTION.
 - 2.) THE TOPSOIL SHALL BE PLACED AT A MINIMUM DEPTH OF 6 INCHES.
 - 3.) REFER TO WETLAND MITIGATION PLANS FOR PLANTINGS AND DETAILS.
 - 4.) ALL RIPRAP SHALL BE ANGULAR.
- ▲ REFER TO BERRY CREEK PLANS AND GRADING DETAILS FOR ADDITIONAL INFORMATION
 - RIPRAP (42 INCH) (SPECIAL) - REFER TO RIPRAP COORDINATE DATA PLANS FOR ADDITIONAL INFORMATION
 - RIPRAP (18 INCH) - REFER TO RIPRAP COORDINATE DATA PLANS FOR ADDITIONAL INFORMATION
 - ✦ ALL OF CHANNEL SECTION SHALL BE COMPACTED TO 95% RELATIVE COMPACTION (TYP.) (AASHTO T180 METHOD A) (INCLUDED IN COST OF WORK)



FELSBURG
HOLT &
ULLEVIG

Print Date: 11/4/2009

Drawing File Name: 061938CTYP02.dgn

Horiz. Scale: 1:10

Vert. Scale: As Noted

Unit Information

Unit Leader Initials



Sheet Revisions

Date:	Comments	Init.

Colorado Department of Transportation



714 Grand Avenue, P.O. Box 298
Eagle, CO 81631
Phone: 970-328-6385 FAX: 970-328-2368

Region 3

MLM

As Constructed

No Revisions: 6-6-2011

Revised:

Void:

EDWARDS INTERCHANGE UPGRADE
BERRY CREEK
TYPICAL SECTION

Designer: CDT

Detailer: RSA

Sheet Subset: DRAINAGE

Structure

Numbers

Subset Sheets: CT-2 of 4

Project No./Code

ES3 0702-297

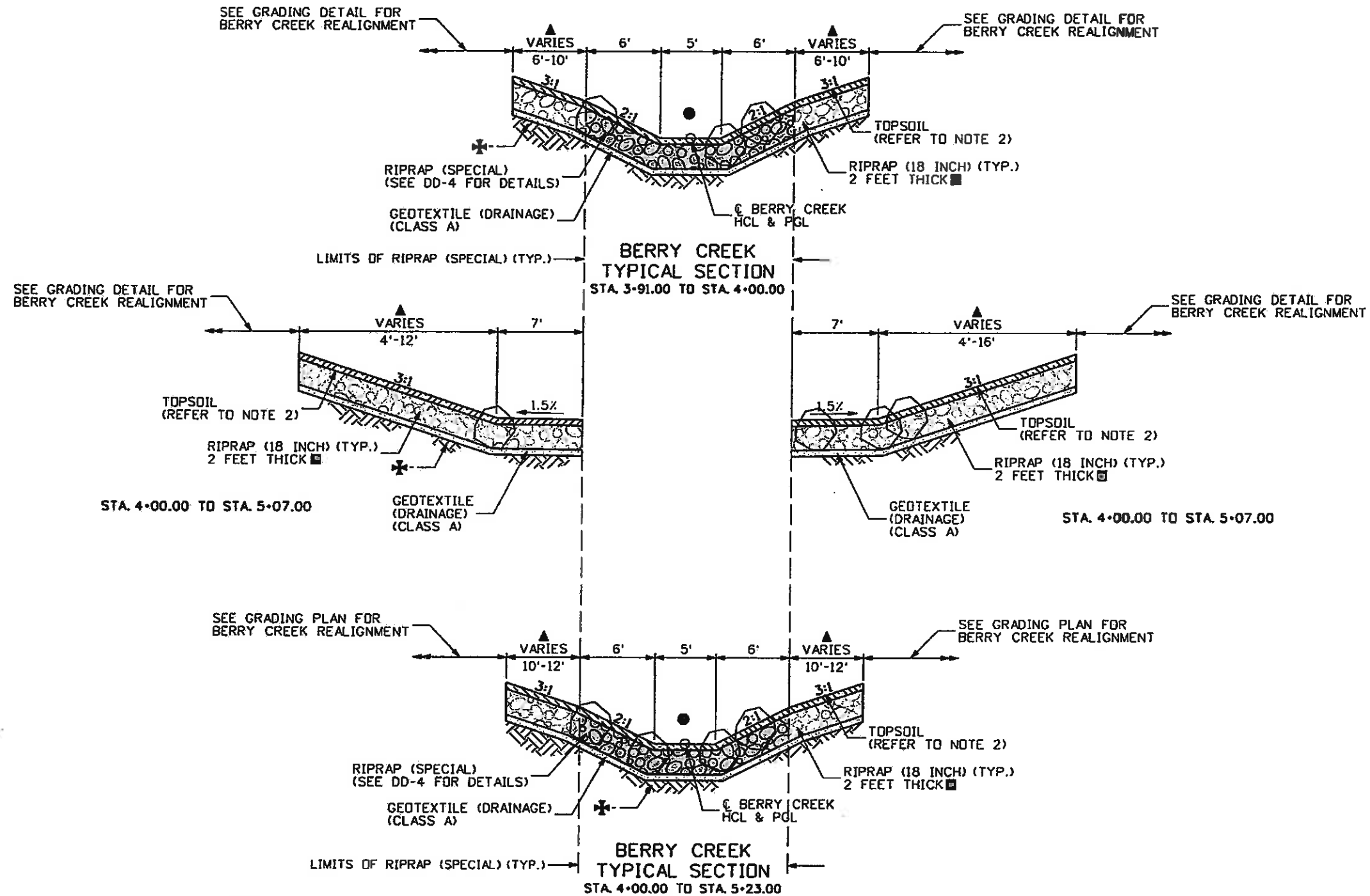
17303

Sheet Number

143



Know what's below.
Call before you dig.



NOTES:

- 1.) BREAK POINTS ON SLOPES AND IN BOTTOMS OF CREEK SHALL BE ROUNDED DURING CONSTRUCTION.
 - 2.) THE TOPSOIL SHALL BE PLACED AT A MINIMUM DEPTH OF 6 INCHES.
 - 3.) REFER TO WETLAND MITIGATION PLANS FOR PLANTINGS AND DETAILS.
 - 4.) ALL RIPRAP SHALL BE ANGULAR.
- ▲ REFER TO BERRY CREEK PLANS AND GRADING DETAILS FOR ADDITIONAL INFORMATION
 - RIPRAP (42 INCH) (SPECIAL) - REFER TO RIPRAP COORDINATE DATA PLANS FOR ADDITIONAL INFORMATION
 - RIPRAP (18 INCH) - REFER TO RIPRAP COORDINATE DATA PLANS FOR ADDITIONAL INFORMATION
 - ✦ ALL OF CHANNEL SECTION SHALL BE COMPACTED TO 95% RELATIVE COMPACTION (TYP.) (AASHTO T180 METHOD A) (INCLUDED IN COST OF WORK)



FELSBURG
HOLT &
ULLEVIG

Print Date: 11/4/2009

Drawing File Name: 06193BCTYP03.dgn

North Arrow: 1:10

Vert. Scale: As Noted

Unit Information

Unit Leader Initials



Sheet Revisions

Date:	Comments	Init.

Colorado Department of Transportation



714 Grand Avenue, P.O. Box 298
Eagle, CO 81631
Phone: 970-328-6385 FAX: 970-328-2368

Region 3

MLM

As Constructed

No Revisions: 6-6-2011

Revised:

Void:

EDWARDS INTERCHANGE UPGRADE
BERRY CREEK
TYPICAL SECTION

Designer:	CDT	Structure Numbers	
Detailer:	RSA		
Sheet Subset:	DRAINAGE	Subset Sheets:	CT-3 of 4

Project No./Code

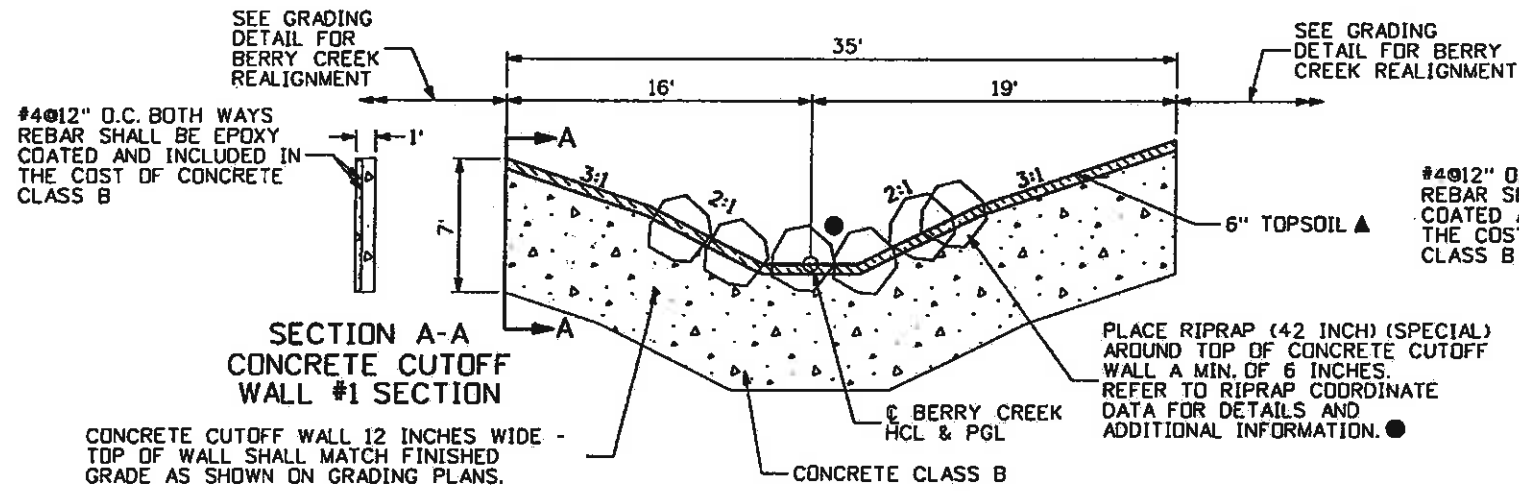
ES3 0702-297

17303

Sheet Number 44

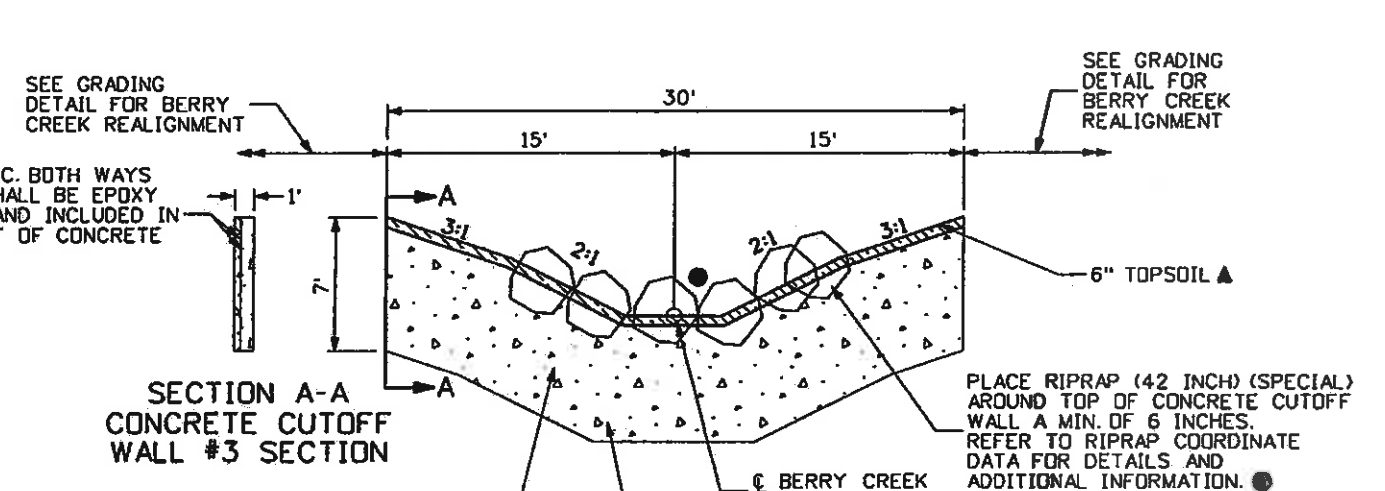


Know what's below.
Call before you dig.



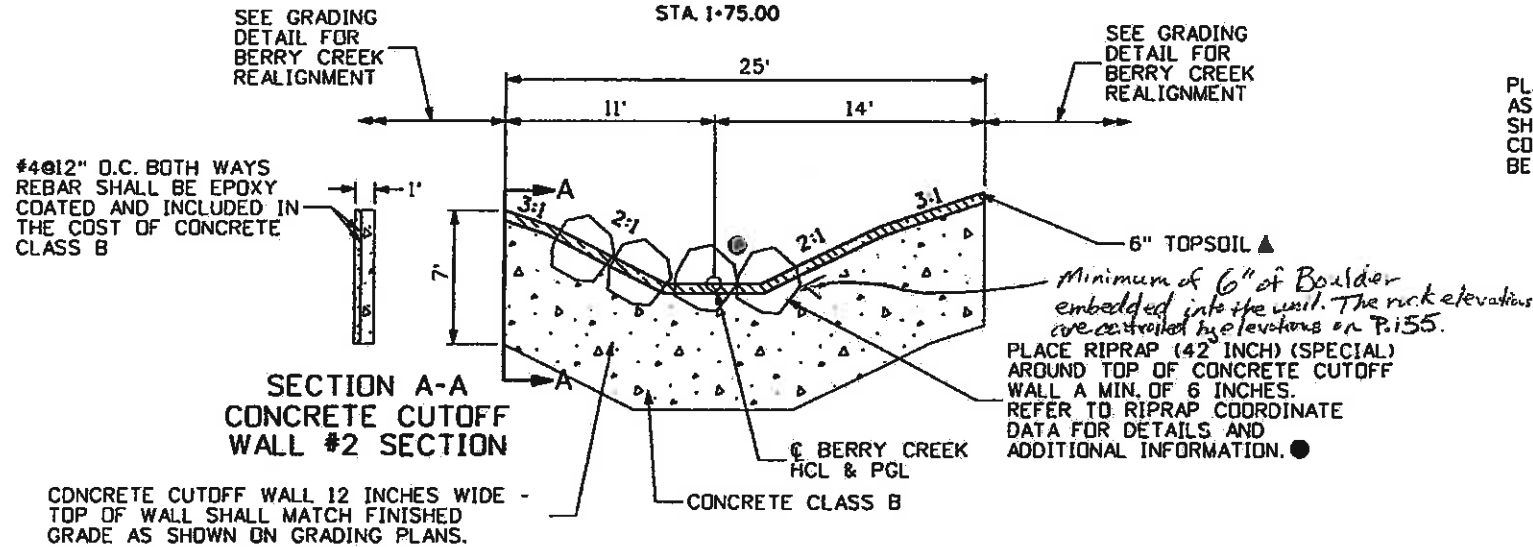
BERRY CREEK CONCRETE CUTOFF WALL #1 SECTION

STA. 1+75.00



BERRY CREEK CONCRETE CUTOFF WALL #3 SECTION

STA. 4+40.00



BERRY CREEK CONCRETE CUTOFF WALL #2 SECTION

STA. 2+63.33

PLACE RIPRAP (42 INCH) (SPECIAL) AS TIGHTLY AS POSSIBLE (TOUCHING EACH OTHER). VOIDS SHALL NOT EXCEED 6" WITHOUT CHINKING. ALL COSTS ASSOCIATED WITH THE PLACEMENT SHALL BE INCLUDED IN THE COST OF THE WORK.

TOP OF ROCK LAYER SHOWN ON PROFILE, SECTIONS AND RIPRAP COORDINATE DATA

TOP OF FINISHED GRADE AS SHOWN ON GRADING PLANS AND GRADING COORDINATE DATA.

BURY RIPRAP A MINIMUM OF 2 FEET BELOW FINISHED GRADE.

BERRY CREEK TYPICAL RIPRAP (42 INCH)(SPECIAL) BOULDER PLACEMENT DETAIL

COMPACTED TO 95% RELATIVE COMPACTION (TYP.) (AASHTO T180 METHOD A) (INCLUDED IN COST OF WORK)

NOTES:

- TRENCH IN UNDISTURBED SOIL. DO NOT EXCAVATE TO FORM WALLS. ALL COSTS ASSOCIATED WITH THE CONCRETE CUTOFF WALL SHALL BE INCLUDED IN THE COST OF CONCRETE CLASS B (CY).
- POUR AND VIBRATE CONCRETE INTO THE TRENCH.

- ▲ REFER TO BERRY CREEK PLANS AND GRADING DETAILS FOR ADDITIONAL INFORMATION
- RIPRAP (42 INCH) (SPECIAL) - REFER TO RIPRAP COORDINATE DATA PLANS FOR ADDITIONAL INFORMATION
- RIPRAP (18 INCH) - REFER TO RIPRAP COORDINATE DATA PLANS FOR ADDITIONAL INFORMATION



FELSBURG
HOLT &
ULLEVIG

Print Date: 11/4/2009

Drawing File Name: 06193BCTYP04.dgn

Horiz. Scale: 1:10

Vert. Scale: As Noted

Unit Information

Unit Leader Initials

(R-X)
000

Sheet Revisions

Date:	Comments	Init.

Colorado Department of Transportation



Region 3

714 Grand Avenue, P.O. Box 298
Eagle, CO 81631
Phone: 970-328-6385 FAX: 970-328-2368

MLM

As Constructed

No Revisions: 6-6-2011

Revised:

Void:

EDWARDS INTERCHANGE UPGRADE
BERRY CREEK
TYPICAL SECTION

Designer: CDT

Detailer: RSA

Sheet Subset: DRAINAGE

Structure

Numbers

Subset Sheets: CT-4 of 4

Project No./Code

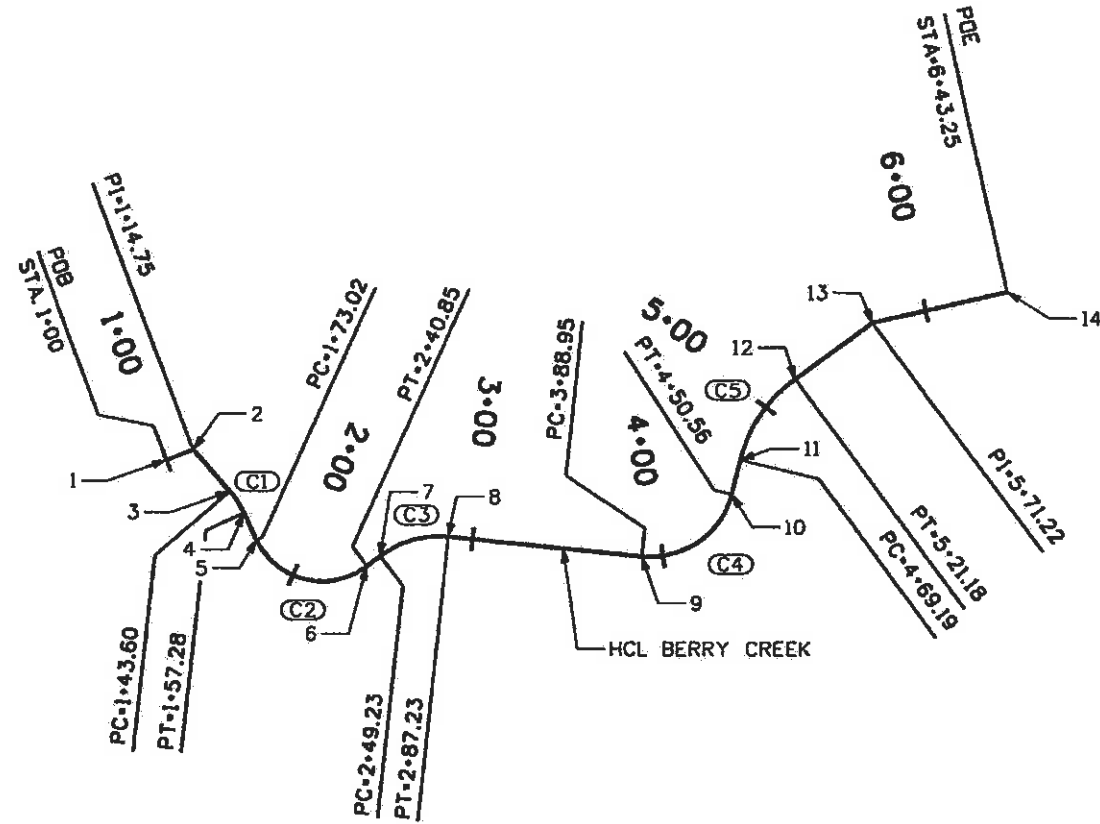
ES3 0702-297

17303

Sheet Number 145



Know what's below.
Call before you dig.



BERRY CREEK COORDINATE DATA

POINT	STATION	BEARING	NORTHING	EASTING
1	PDB 1+00		63662.44	93760.47
2	PI 1+14.75	N 33°15'45.10" E	63674.77	93768.56
3	PC 1+43.60	S 77°00'29.78" E	63668.28	93796.67
4	PT 1+57.28	(C1)	63663.44	93809.42
5	PC 1+73.02	S 61°20'04.48" E	63655.88	93823.23
6	PT 2+40.85	(C2)	63678.50	93877.91
7	PC 2+49.23	N 16°23'55.55" E	63686.54	93880.28
8	PT 2+87.23	(C3)	63715.70	93903.20
9	PC 3+88.95	N 59°56'34.58" E	63766.65	93991.25
10	PT 4+50.56	(C4)	63820.07	94009.54
11	PC 4+69.19	N 22°08'22.47" W	63837.33	94002.52
12	PT 5+21.18	(C5)	63888.25	94000.49
13	PI 5+71.22	N 17°34'51.72" E	63935.95	94015.61
14	POE 6+43.25	N 41°10'49.40" E	63990.17	94063.04

BERRY CREEK CURVE DATA

CURVE	DELTA	RADIUS	LENGTH	TANGENT
(C1)	15° 40'25.30" RT.	50.00'	13.68'	6.88'
(C2)	102° 15'59.97" LT.	38.00'	67.83'	47.15'
(C3)	43° 32'39.03" RT.	50.00'	38.00'	19.97'
(C4)	85° 04'57.06" LT.	43.00'	61.60'	37.43'
(C5)	39° 43'14.20" RT.	75.00'	51.99'	27.09'



FELSBURG
HOLT &
ULLEVIG

Print Date: 11/4/2009

Drawing File Name: 061938CGE001.dgn

Horiz. Scale: 1:100

Vert. Scale: As Noted

Unit Information

Unit Leader Initials

(R-X)
000

Sheet Revisions

Date	Comments	Init.

Colorado Department of Transportation



714 Grand Avenue, P.O. Box 298
Eagle, CO 81631
Phone: 970-328-6385 FAX: 970-328-2368

Region 3

MLM

As Constructed

No Revisions: 6-6-2011

Revised:

Void:

EDWARDS INTERCHANGE UPGRADE
BERRY CREEK
GEOMETRIC LAYOUT

Designer: CDT

Detailer: RSA

Sheet Subset: DRAINAGE

Structure

Numbers

Subset Sheets: CG-1 of 1

Project No./Code

ES3 0702-297

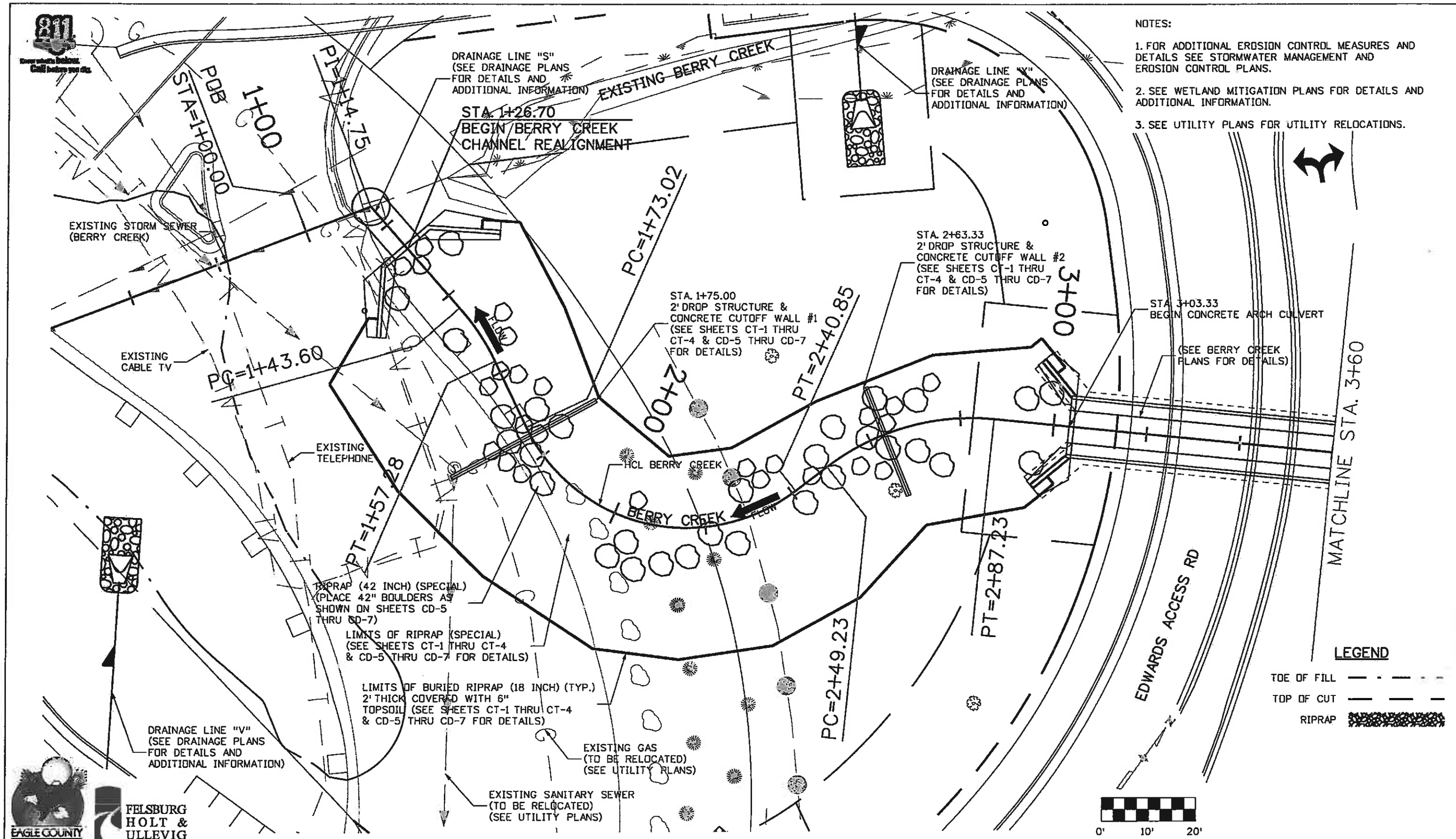
17303

Sheet Number

146



- NOTES:
1. FOR ADDITIONAL EROSION CONTROL MEASURES AND DETAILS SEE STORMWATER MANAGEMENT AND EROSION CONTROL PLANS.
 2. SEE WETLAND MITIGATION PLANS FOR DETAILS AND ADDITIONAL INFORMATION.
 3. SEE UTILITY PLANS FOR UTILITY RELOCATIONS.



LEGEND

- TOE OF FILL - - - - -
- TOP OF CUT - - - - -
- RIPRAP [stippled pattern]

Print Date: 11/12/2009	
Drawing File Name: 06193BCPLAN01.dgn	
Horiz. Scale: 1:20	Vert. Scale: As Noted
Unit Information	Unit Leader Initials

Sheet Revisions		
Date:	Comments	Init.

Colorado Department of Transportation

DOT 714 Grand Avenue, P.O. Box 298
Eagle, CO 81631
Phone: 970-328-6385 FAX: 970-328-2368

Region 3 MLM

As Constructed
No Revisions: 6-6-2011
Revised:
Void:

EDWARDS INTERCHANGE UPGRADE BERRY CREEK PLAN		
Designer:	CDT	Structure
Detailer:	RSA	Numbers
Sheet Subset:	DRAINAGE	Subset Sheets: CK-1 of 2

Project No./Code	ES3 0702-297
	17303
Sheet Number	147

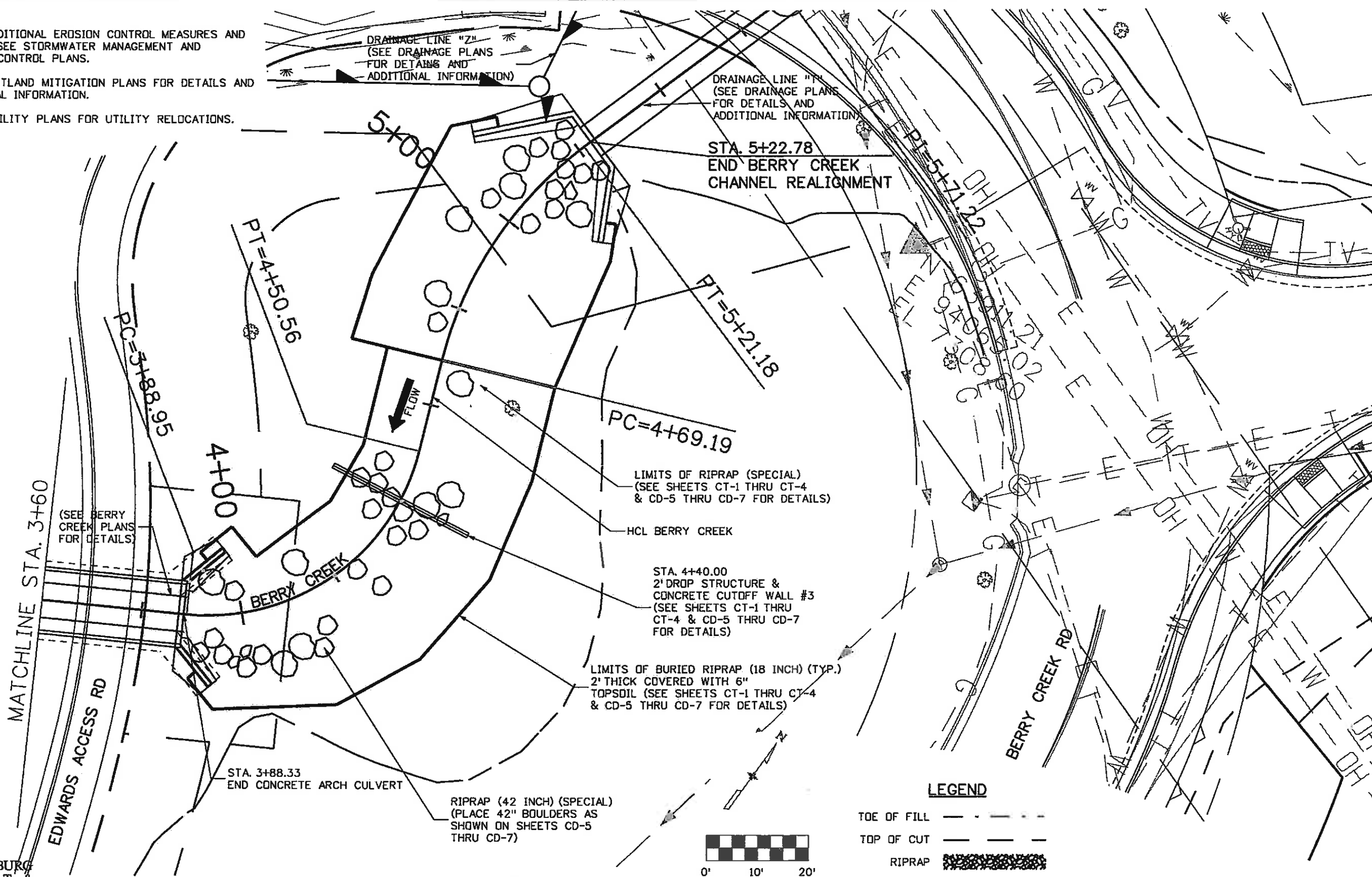


FELSBURG
HOLT &
ULLEVIG



NOTES:

1. FOR ADDITIONAL EROSION CONTROL MEASURES AND DETAILS SEE STORMWATER MANAGEMENT AND EROSION CONTROL PLANS.
2. SEE WETLAND MITIGATION PLANS FOR DETAILS AND ADDITIONAL INFORMATION.
3. SEE UTILITY PLANS FOR UTILITY RELOCATIONS.




FELSBURG
HOLT &
ULLEVIG

Print Date: 11/12/2009	Unit Information
Drawing File Name: 06193BCPLAN02.dgn	Unit Leader Initials
Horiz. Scale: 1:20	Vert. Scale: As Noted

Sheet Revisions		
Date:	Comments	Init.

Colorado Department of Transportation



714 Grand Avenue, P.O. Box 298
Eagle, CO 81631
Phone: 970-328-6385 FAX: 970-328-2368

Region 3 MLM

As Constructed	No Revisions: 6-6-2011
Revised:	
Void:	

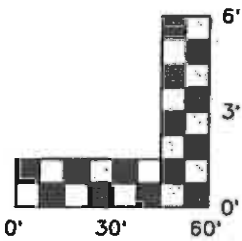
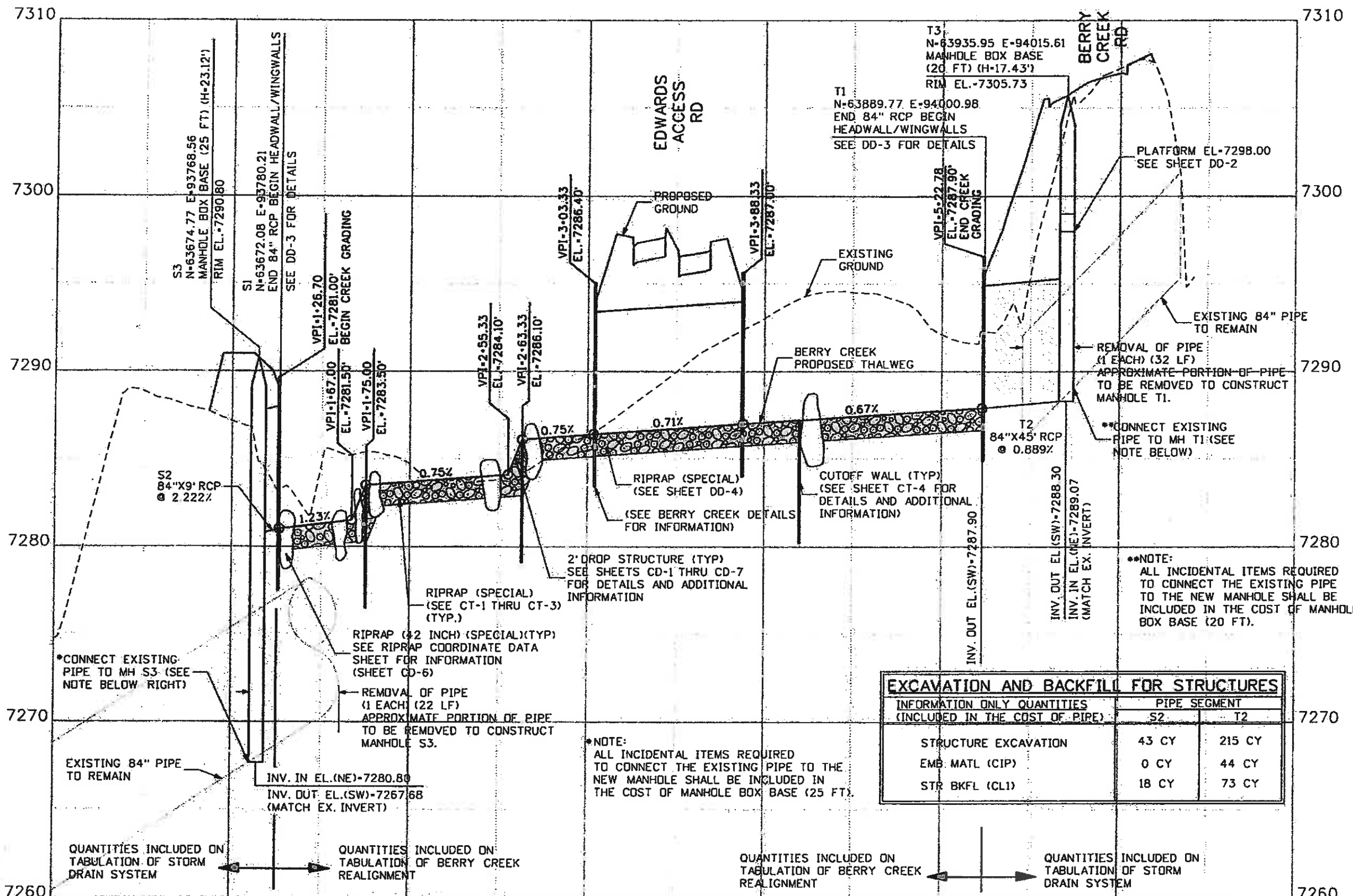
EDWARDS INTERCHANGE UPGRADE BERRY CREEK PLAN			
Designer:	CDT	Structure	X-XX-XX
Detailer:	RSA	Numbers	X-XX-XX
Sheet Subset:	DRAINAGE	Subset Sheets:	CK-2 of 2

Project No./Code	ES3 0702-297
	17303
Sheet Number	148



Know what's Below. Call before you dig.

DRAINAGE LINE	FOR PLAN SEE SHEET
"S"	DR-11
"T"	DR-12



Print Date: 11/4/2009

Drawing File Name: 061933BCPR001.dgn

Horiz. Scale: 1"=60' Vert. Scale: As Noted

Unit Information Unit Leader Initials

Sheet Revisions		
Date:	Comments	Init.

Colorado Department of Transportation

714 Grand Avenue, P.O. Box 298
Eagle, CO 81631
Phone: 970-328-6385 FAX: 970-328-2368

Region 3 MLM

As Constructed

No Revisions: 6-6-2011

Revised:

Void:

EDWARDS INTERCHANGE UPGRADE
BERRY CREEK
PROFILE

Designer: CDT
Detailer: RSA

Structure Numbers

Sheet Subset: DRAINAGE
Subset Sheets: CP-1 of 1

Project No./Code
ES3 0702-297

17303

Sheet Number **149**



Know what's below.
Call before you dig.

GRADING COORDINATE DATA

Table with 5 columns: POINT, NORTHING, EASTING, ELEVATION, DESCRIPTION. Contains 75 rows of coordinate data for grading.

GRADING COORDINATE DATA (CONTINUED)

Table with 5 columns: POINT, NORTHING, EASTING, ELEVATION, DESCRIPTION. Contains 76 rows of coordinate data for grading.



FELSBURG
HOLT &
ULLEVIG

Print Date: 11/4/2009

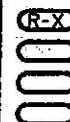
Drawing File Name: 06193BCDET01.dgn

Horiz. Scale: 1"=1'

Vert. Scale: As Noted

Unit Information

Unit Leader Initials



Sheet Revisions

Table with 3 columns: Date, Comments, Init. for sheet revisions.

Colorado Department of Transportation



714 Grand Avenue, P.O. Box 298
Eagle, CO 81631
Phone: 970-328-6385 FAX: 970-328-2368

Region 3

MLM

As Constructed

No Revisions: 6-6-Zell

Revised:

Void:

EDWARDS INTERCHANGE UPGRADE
BERRY CREEK
GRADING COORDINATE DATA

Designer: CDT

Detailer: RSA

Sheet Subset: DRAINAGE

Structure

Numbers

Subset Sheets: CD-1 of 8

Project No./Code

ES3 0702-297

17303

Sheet Number 150



Know what's below.
Call before you dig.

GRADING COORDINATE DATA (CONTINUED)

Table with 5 columns: POINT, NORTHING, EASTING, ELEVATION, DESCRIPTION. Contains 45 rows of data points for grading coordinates.

GRADING COORDINATE DATA (CONTINUED)

Table with 5 columns: POINT, NORTHING, EASTING, ELEVATION, DESCRIPTION. Contains 45 rows of data points for grading coordinates.

GRADING COORDINATE DATA (EDWARDS ACCESS RD.)

Table with 5 columns: POINT, NORTHING, EASTING, ELEVATION, DESCRIPTION. Contains 12 rows of data points for Edwards Access Rd.



FELSBURG
HOLT &
ULLEVIG

Print Date: 11/4/2009

Drawing File Name: 06193BCDET01A.dgn

Horiz. Scale: 1"=1'

Vert. Scale: As Noted

Unit Information

Unit Leader Initials

0000

Sheet Revisions

Table with 3 columns: Date, Comments, Init. Contains 3 rows of revision data.

Colorado Department of Transportation



714 Grand Avenue, P.O. Box 298
Eagle, CO 81631
Phone: 970-328-6385 FAX: 970-328-2368

Region 3

MLM

As Constructed

Table with 2 columns: No Revisions, Revised, Void. Contains 3 rows of construction status data.

EDWARDS INTERCHANGE UPGRADE
BERRY CREEK
GRADING COORDINATE DATA

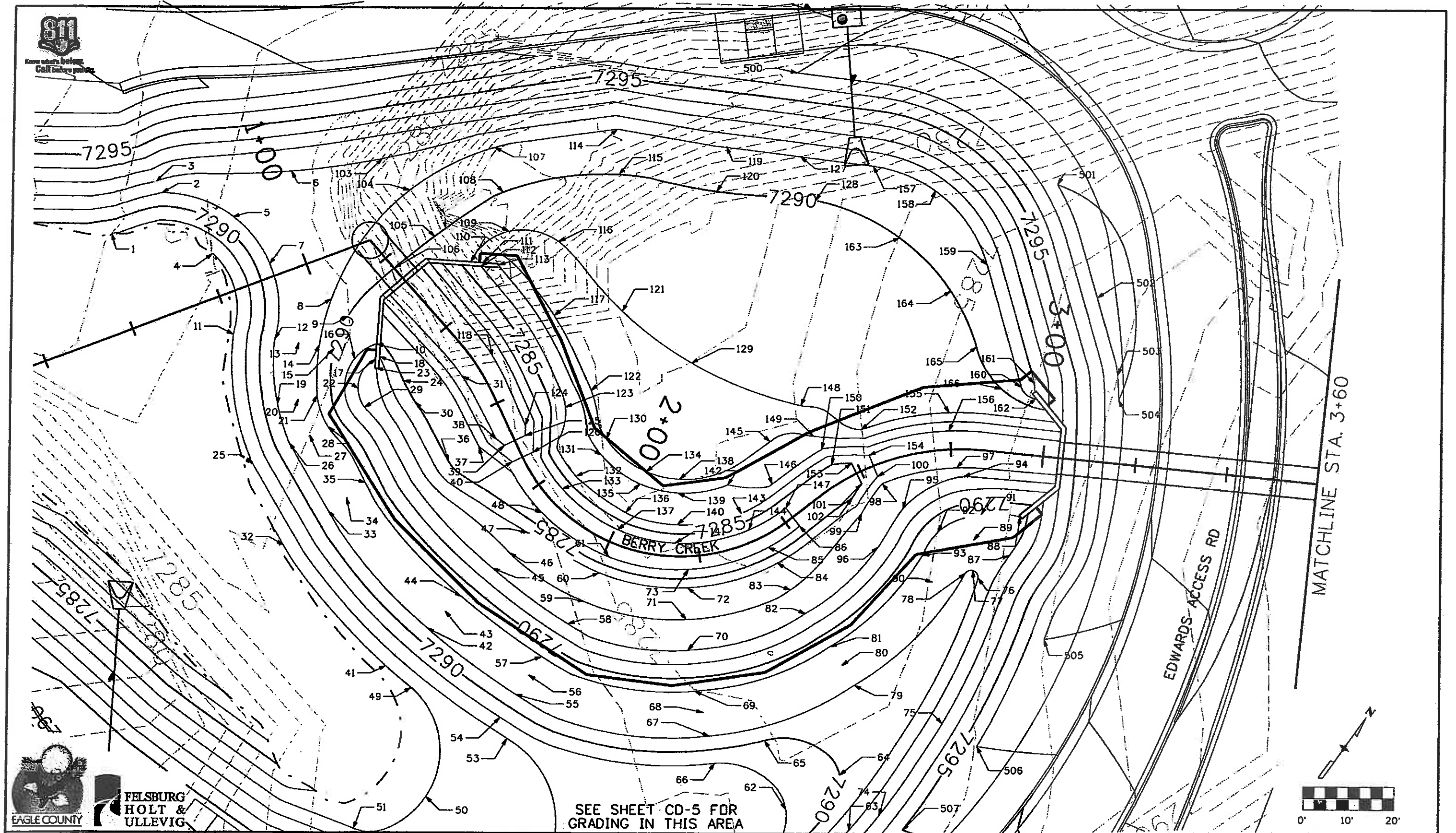
Table with 2 columns: Designer, Detailer, Sheet Subset. Contains 3 rows of project information.

Project No./Code

Table with 2 columns: Project No./Code, Sheet Number. Contains 2 rows of project identification data.



Know what's below.
Call before you dig.



Print Date: 11/4/2009

Drawing File Name: 06193BCDET02.dgn

Horiz. Scale: 1:20

Vert. Scale: As Noted

Unit Information

Unit Leader Initials

(R-X)
0000

Sheet Revisions

Date:	Comments	Init.

SEE SHEET CD-5 FOR
GRADING IN THIS AREA

Colorado Department of Transportation



714 Grand Avenue, P.O. Box 298
Eagle, CO 81631
Phone: 970-328-6385 FAX: 970-328-2368

Region 3

MLM

As Constructed

No Revisions: 6-6-2011

Revised:

Void:

EDWARDS INTERCHANGE UPGRADE
BERRY CREEK
GRADING DETAIL

Designer: CDT

Detailer: RSA

Sheet Subset: DRAINAGE

Structure

Numbers

Subset Sheets: CD-3 of 8

Project No./Code

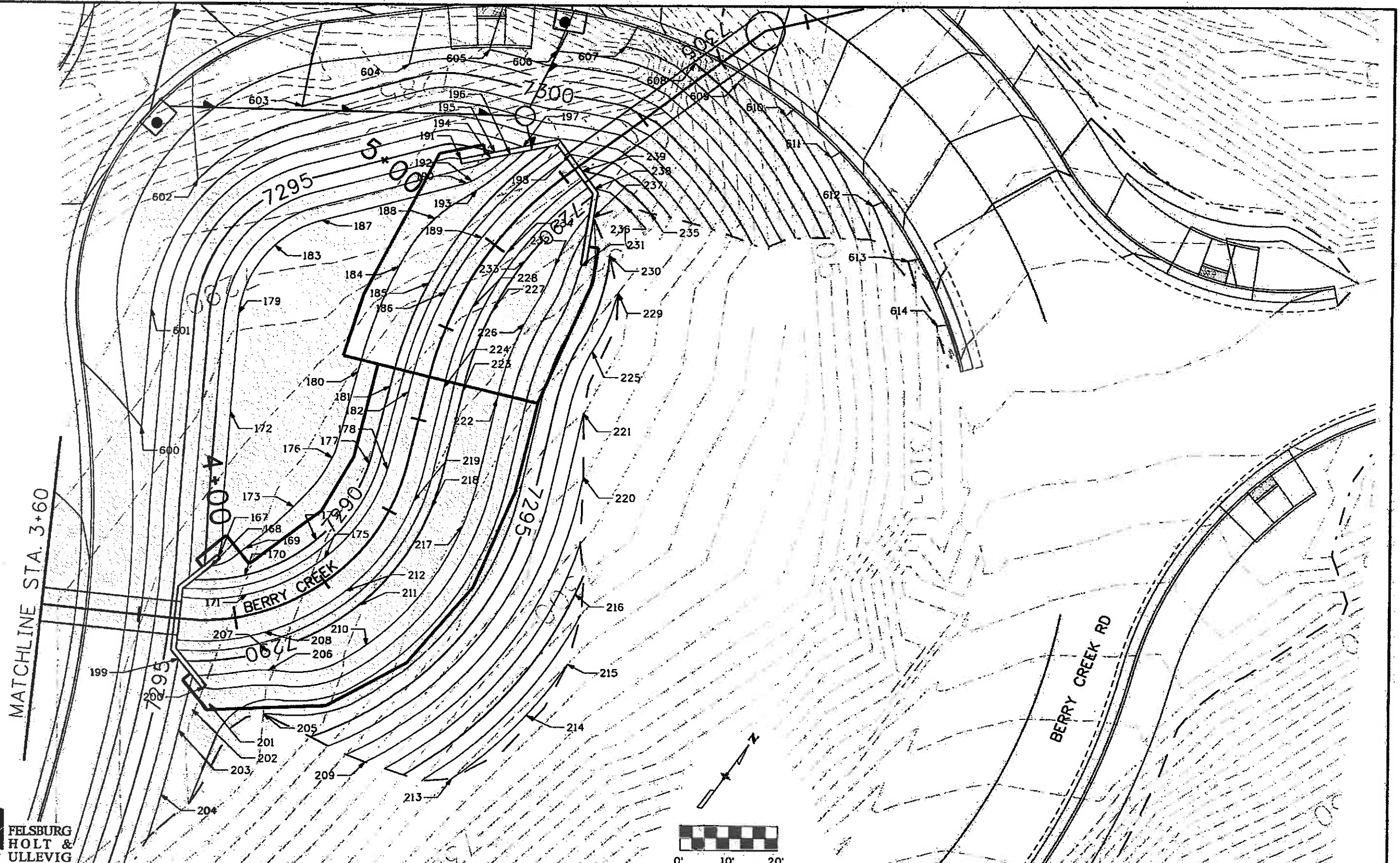
ES3 0702-297

17303

Sheet Number 152



Know what's below.
Call before you dig.




FELSBURG
HOLT &
ULLEVIG

Print Date: 11/4/2009
Drawing File Name: 06193BCDET03.dgn
Horiz. Scale: 1:20
Unit Information
Vert. Scale: As Noted
Unit Leader Initials

Sheet Revisions		
Date:	Comments	Init.

Colorado Department of Transportation



714 Grand Avenue, P.O. Box 298
Eagle, CO 81631
Phone: 970-328-6385 FAX: 970-328-2368

Region 3 MLM

As Constructed
No Revisions: 6-6-2011
Revised:
Void:

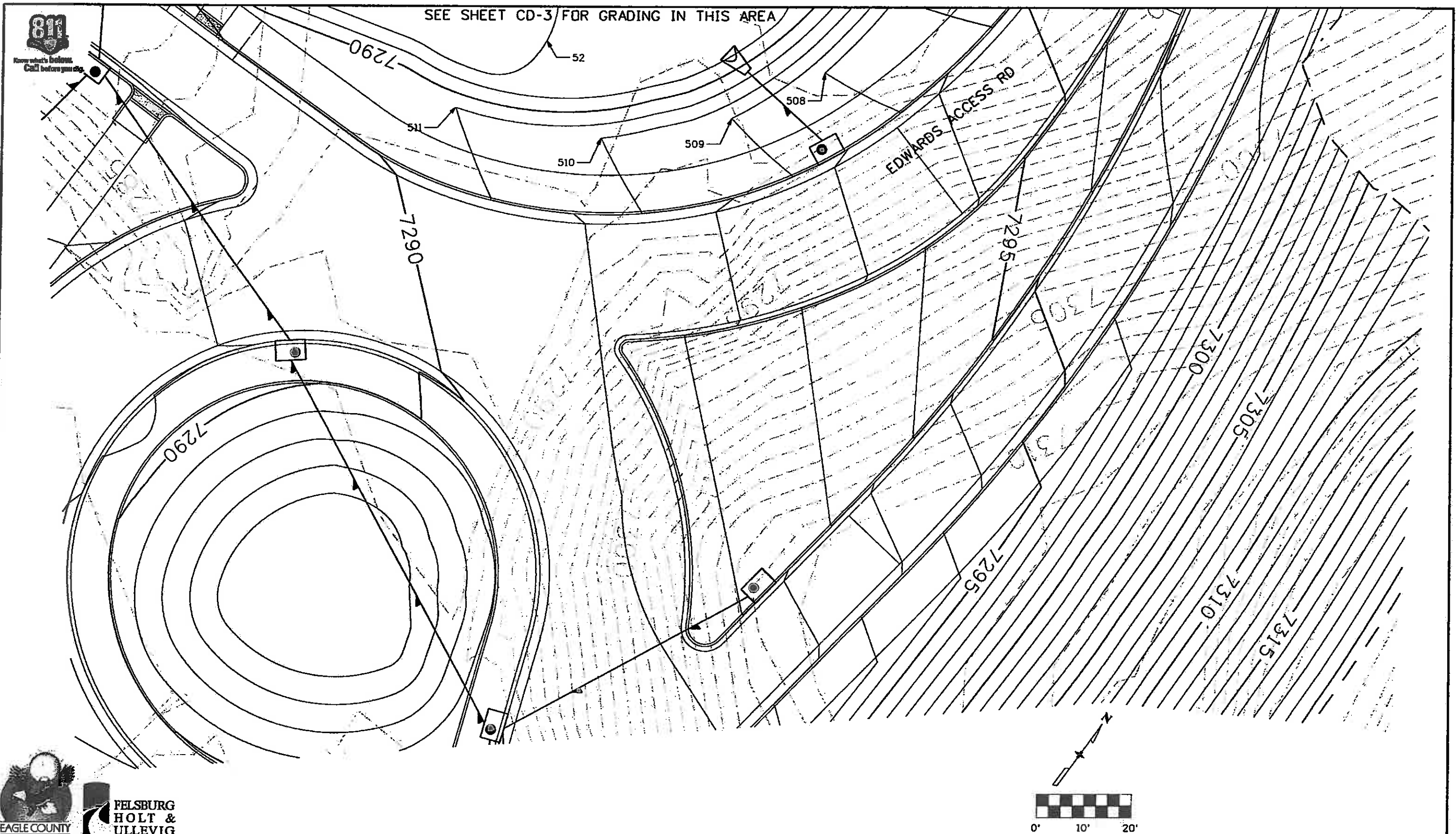
EDWARDS INTERCHANGE UPGRADE BERRY CREEK GRADING DETAIL		
Designer: CDT	Structure Numbers	
Detailer: RSA		
Sheet Subset: DRAINAGE	Subset Sheets: CD-4 of 8	

Project No./Code
E53 0702-297
17303
Sheet Number 153



Know what's below.
Call before you dig.

SEE SHEET CD-3 FOR GRADING IN THIS AREA



FELSBURG
HOLT &
ULLEVIG

Print Date: 11/4/2009
Drawing File Name: 06193BCDET03A.dgn
Horiz. Scale: 1:20
Unit Information
Vert. Scale: As Noted
Unit Leader Initials

Sheet Revisions		
Date:	Comments	Init.

Colorado Department of Transportation
714 Grand Avenue, P.D. Box 298
Eagle, CO 81631
Phone: 970-328-6385 FAX: 970-328-2368
Region 3 MLM

As Constructed
No Revisions: 6-6-2011
Revised:
Void:

EDWARDS INTERCHANGE UPGRADE
BERRY CREEK
GRADING DETAIL
Designer: CDT
Detailer: RSA
Structure Numbers
Sheet Subset: DRAINAGE
Subset Sheets: CD-5 of 8

Project No./Code
ES3 0702-297
17303
Sheet Number 154



Know what's below. Call before you dig.

RIPRAP (18 INCH) POINT CHART

POINT	NORTHING	EASTING	ELEVATION	DESCRIPTION
R1	63686.41	93789.44	7288.20	LIMITS OF BURIED RIPRAP (18 INCH)
R2	63690.65	93796.22	7287.70	LIMITS OF BURIED RIPRAP (18 INCH)
R3	63691.50	93814.63	7287.00	LIMITS OF BURIED RIPRAP (18 INCH)
R4	63670.18	93832.05	7287.20	LIMITS OF BURIED RIPRAP (18 INCH)
R5	63668.75	93851.67	7286.80	LIMITS OF BURIED RIPRAP (18 INCH)
R6	63678.03	93861.46	7287.10	LIMITS OF BURIED RIPRAP (18 INCH)
R7	63696.60	93870.10	7287.60	LIMITS OF BURIED RIPRAP (18 INCH)
R8	63719.14	93884.44	7288.00	LIMITS OF BURIED RIPRAP (18 INCH)
R9	63732.78	93900.48	7290.50	LIMITS OF BURIED RIPRAP (18 INCH)
R10	63735.68	93901.25	7291.32	LIMITS OF BURIED RIPRAP (18 INCH)
R11	63733.62	93908.98	7292.90	LIMITS OF BURIED RIPRAP (18 INCH)
R12	63731.69	93908.47	7292.35	LIMITS OF BURIED RIPRAP (18 INCH)
R13	63732.72	93904.60	7291.65	LIMITS OF BURIED RIPRAP (18 INCH)
R14	63731.75	93904.35	7291.30	LIMITS OF BURIED RIPRAP (18 INCH)
R15	63729.17	93914.01	7287.60	LIMITS OF BURIED RIPRAP (18 INCH)
R16	63718.36	93920.27	7287.60	LIMITS OF BURIED RIPRAP (18 INCH)
R17	63708.69	93917.69	7290.40	LIMITS OF BURIED RIPRAP (18 INCH)
R18	63708.44	93918.66	7291.10	LIMITS OF BURIED RIPRAP (18 INCH)
R19	63712.30	93919.69	7292.10	LIMITS OF BURIED RIPRAP (18 INCH)
R20	63711.79	93921.62	7292.50	LIMITS OF BURIED RIPRAP (18 INCH)
R21	63704.06	93919.56	7290.72	LIMITS OF BURIED RIPRAP (18 INCH)
R22	63688.78	93904.79	7290.10	LIMITS OF BURIED RIPRAP (18 INCH)
R23	63668.05	93902.50	7290.00	LIMITS OF BURIED RIPRAP (18 INCH)
R24	63648.72	93893.47	7290.10	LIMITS OF BURIED RIPRAP (18 INCH)
R25	63634.61	93878.97	7290.00	LIMITS OF BURIED RIPRAP (18 INCH)
R26	63625.70	93862.57	7290.20	LIMITS OF BURIED RIPRAP (18 INCH)
R27	63624.56	93834.47	7290.20	LIMITS OF BURIED RIPRAP (18 INCH)
R28	63628.82	93809.16	7290.20	LIMITS OF BURIED RIPRAP (18 INCH)
R29	63638.87	93783.79	7290.00	LIMITS OF BURIED RIPRAP (18 INCH)
R30	63655.16	93782.23	7288.40	LIMITS OF BURIED RIPRAP (18 INCH)
R31	63656.22	93783.92	7288.20	LIMITS OF BURIED RIPRAP (18 INCH)
R32	63652.83	93786.05	7286.70	LIMITS OF BURIED RIPRAP (18 INCH)
R33	63653.27	93786.75	7286.30	LIMITS OF BURIED RIPRAP (18 INCH)
R34	63665.99	93778.80	7282.40	LIMITS OF BURIED RIPRAP (18 INCH)
R35	63678.17	93781.61	7282.40	LIMITS OF BURIED RIPRAP (18 INCH)
R36	63686.12	93794.33	7286.30	LIMITS OF BURIED RIPRAP (18 INCH)
R37	63686.83	93793.89	7286.60	LIMITS OF BURIED RIPRAP (18 INCH)
R38	63684.71	93790.50	7287.80	LIMITS OF BURIED RIPRAP (18 INCH)
R39	63754.42	94006.59	7293.00	LIMITS OF BURIED RIPRAP (18 INCH)
R40	63756.48	93998.86	7292.95	LIMITS OF BURIED RIPRAP (18 INCH)
R41	63758.42	93999.38	7292.50	LIMITS OF BURIED RIPRAP (18 INCH)
R42	63757.38	94003.24	7291.60	LIMITS OF BURIED RIPRAP (18 INCH)
R43	63758.35	94003.60	7291.40	LIMITS OF BURIED RIPRAP (18 INCH)
R44	63760.93	93993.84	7288.30	LIMITS OF BURIED RIPRAP (18 INCH)
R45	63771.75	93987.58	7288.50	LIMITS OF BURIED RIPRAP (18 INCH)
R46	63781.41	93990.16	7291.30	LIMITS OF BURIED RIPRAP (18 INCH)
R47	63781.67	93989.19	7291.70	LIMITS OF BURIED RIPRAP (18 INCH)
R48	63777.80	93988.16	7292.65	LIMITS OF BURIED RIPRAP (18 INCH)
R49	63778.32	93986.23	7293.10	LIMITS OF BURIED RIPRAP (18 INCH)
R50	63786.05	93988.29	7291.40	LIMITS OF BURIED RIPRAP (18 INCH)
R51	63784.08	93995.66	7290.00	LIMITS OF BURIED RIPRAP (18 INCH)
R52	63801.67	94001.11	7290.00	LIMITS OF BURIED RIPRAP (18 INCH)
R53	63814.65	93999.73	7290.00	LIMITS OF BURIED RIPRAP (18 INCH)
R54	63833.14	93992.21	7290.10	LIMITS OF BURIED RIPRAP (18 INCH)
R55	63830.38	93985.44	7290.70	LIMITS OF BURIED RIPRAP (18 INCH)
R56	63843.15	93981.16	7290.70	LIMITS OF BURIED RIPRAP (18 INCH)
R57	63876.02	93976.57	7293.80	LIMITS OF BURIED RIPRAP (18 INCH)
R58	63892.77	93982.77	7294.80	LIMITS OF BURIED RIPRAP (18 INCH)
R59	63881.41	93984.24	7294.20	LIMITS OF BURIED RIPRAP (18 INCH)
R60	63877.61	93980.75	7293.50	LIMITS OF BURIED RIPRAP (18 INCH)
R61	63876.94	93981.48	7293.20	LIMITS OF BURIED RIPRAP (18 INCH)
R62	63891.66	93995.02	7289.10	LIMITS OF BURIED RIPRAP (18 INCH)
R63	63897.89	94006.93	7289.20	LIMITS OF BURIED RIPRAP (18 INCH)
R64	63874.57	94013.84	7292.50	LIMITS OF BURIED RIPRAP (18 INCH)
R65	63875.03	94014.73	7292.70	LIMITS OF BURIED RIPRAP (18 INCH)
R66	63878.58	94012.89	7292.90	LIMITS OF BURIED RIPRAP (18 INCH)
R67	63879.50	94014.66	7293.60	LIMITS OF BURIED RIPRAP (18 INCH)
R68	63872.02	94018.09	7293.55	LIMITS OF BURIED RIPRAP (18 INCH)
R69	63846.02	94023.86	7293.40	LIMITS OF BURIED RIPRAP (18 INCH)
R70	63828.28	94031.08	7293.20	LIMITS OF BURIED RIPRAP (18 INCH)
R71	63807.38	94035.88	7293.20	LIMITS OF BURIED RIPRAP (18 INCH)
R72	63786.61	94034.07	7293.30	LIMITS OF BURIED RIPRAP (18 INCH)
R73	63769.58	94025.97	7293.00	LIMITS OF BURIED RIPRAP (18 INCH)

RIPRAP (42 INCH) (SPECIAL) POINT CHART

POINT	NORTHING	EASTING	ELEVATION	DESCRIPTION
B1	63678.26	93786.84	7285.00	TOP OF RIPRAP (42 INCH) (SPECIAL)
B2	63674.16	93782.65	7283.50	TOP OF RIPRAP (42 INCH) (SPECIAL)
B3	63670.86	93784.58	7283.50	TOP OF RIPRAP (42 INCH) (SPECIAL)
B4	63668.27	93781.40	7283.50	TOP OF RIPRAP (42 INCH) (SPECIAL)
B5	63661.79	93784.70	7285.50	TOP OF RIPRAP (42 INCH) (SPECIAL)
B6	63661.90	93800.05	7285.00	TOP OF RIPRAP (42 INCH) (SPECIAL)
B7	63672.86	93804.59	7284.00	TOP OF RIPRAP (42 INCH) (SPECIAL)
B8	63669.12	93808.65	7284.00	TOP OF RIPRAP (42 INCH) (SPECIAL)
B9	63662.22	93811.57	7283.50	TOP OF RIPRAP (42 INCH) (SPECIAL)
B10	63657.83	93811.40	7283.50	TOP OF RIPRAP (42 INCH) (SPECIAL)
B11	63664.03	93815.11	7283.50	TOP OF RIPRAP (42 INCH) (SPECIAL)
B12	63664.89	93820.86	7285.00	TOP OF RIPRAP (42 INCH) (SPECIAL)
B13	63660.20	93822.77	7284.50	TOP OF RIPRAP (42 INCH) (SPECIAL)
B14	63654.65	93817.51	7283.50	TOP OF RIPRAP (42 INCH) (SPECIAL)
B15	63656.03	93822.35	7284.50	TOP OF RIPRAP (42 INCH) (SPECIAL)
B16	63651.16	93821.98	7285.50	TOP OF RIPRAP (42 INCH) (SPECIAL)
B17	63647.23	93820.26	7285.00	TOP OF RIPRAP (42 INCH) (SPECIAL)
B18	63647.10	93824.37	7286.00	TOP OF RIPRAP (42 INCH) (SPECIAL)
B19	63651.58	93827.80	7285.00	TOP OF RIPRAP (42 INCH) (SPECIAL)
B20	63656.26	93826.14	7285.00	TOP OF RIPRAP (42 INCH) (SPECIAL)
B21	63660.31	93829.11	7287.00	TOP OF RIPRAP (42 INCH) (SPECIAL)
B22	63647.09	93828.30	7285.00	TOP OF RIPRAP (42 INCH) (SPECIAL)
B23	63648.00	93833.23	7285.50	TOP OF RIPRAP (42 INCH) (SPECIAL)
B24	63657.11	93851.93	7285.50	TOP OF RIPRAP (42 INCH) (SPECIAL)
B25	63648.31	93855.13	7286.50	TOP OF RIPRAP (42 INCH) (SPECIAL)
B26	63643.35	93853.62	7288.00	TOP OF RIPRAP (42 INCH) (SPECIAL)
B27	63644.60	93859.77	7288.00	TOP OF RIPRAP (42 INCH) (SPECIAL)
B28	63648.97	93864.01	7287.50	TOP OF RIPRAP (42 INCH) (SPECIAL)
B29	63653.35	93867.71	7287.00	TOP OF RIPRAP (42 INCH) (SPECIAL)
B30	63660.31	93868.53	7285.00	TOP OF RIPRAP (42 INCH) (SPECIAL)
B31	63661.99	93874.46	7286.50	TOP OF RIPRAP (42 INCH) (SPECIAL)
B32	63671.71	93868.39	7286.50	TOP OF RIPRAP (42 INCH) (SPECIAL)
B33	63676.35	93866.47	7286.00	TOP OF RIPRAP (42 INCH) (SPECIAL)
B34	63675.91	93870.41	7287.50	TOP OF RIPRAP (42 INCH) (SPECIAL)
B35	63680.35	93870.79	7287.50	TOP OF RIPRAP (42 INCH) (SPECIAL)
B36	63677.56	93881.12	7286.00	TOP OF RIPRAP (42 INCH) (SPECIAL)
B37	63683.02	93878.65	7285.70	TOP OF RIPRAP (42 INCH) (SPECIAL)
B38	63686.92	93876.92	7286.00	TOP OF RIPRAP (42 INCH) (SPECIAL)
B39	63685.43	93882.74	7286.00	TOP OF RIPRAP (42 INCH) (SPECIAL)
B40	63694.31	93875.96	7287.50	TOP OF RIPRAP (42 INCH) (SPECIAL)
B41	63690.63	93885.95	7286.50	TOP OF RIPRAP (42 INCH) (SPECIAL)
B42	63692.67	93890.41	7288.50	TOP OF RIPRAP (42 INCH) (SPECIAL)
B43	63696.67	93883.46	7286.50	TOP OF RIPRAP (42 INCH) (SPECIAL)
B44	63700.51	93880.89	7288.50	TOP OF RIPRAP (42 INCH) (SPECIAL)
B45	63704.60	93879.71	7290.50	TOP OF RIPRAP (42 INCH) (SPECIAL)
B46	63705.29	93884.01	7289.00	TOP OF RIPRAP (42 INCH) (SPECIAL)
B47	63701.33	93885.10	7288.30	TOP OF RIPRAP (42 INCH) (SPECIAL)
B48	63697.22	93888.70	7287.50	TOP OF RIPRAP (42 INCH) (SPECIAL)
B49	63700.38	93893.91	7289.00	TOP OF RIPRAP (42 INCH) (SPECIAL)
B50	63701.07	93899.83	7290.00	TOP OF RIPRAP (42 INCH) (SPECIAL)
B51	63709.08	93886.96	7289.00	TOP OF RIPRAP (42 INCH) (SPECIAL)
B52	63714.06	93887.68	7290.50	TOP OF RIPRAP (42 INCH) (SPECIAL)
B53	63723.12	93906.17	7289.00	TOP OF RIPRAP (42 INCH) (SPECIAL)
B54	63727.38	93909.91	7290.00	TOP OF RIPRAP (42 INCH) (SPECIAL)
B55	63712.42	93915.30	7291.00	TOP OF RIPRAP (42 INCH) (SPECIAL)
B56	63774.74	93991.21	7291.00	TOP OF RIPRAP (42 INCH) (SPECIAL)
B57	63775.90	93996.15	7289.50	TOP OF RIPRAP (42 INCH) (SPECIAL)
B58	63761.69	93997.77	7291.00	TOP OF RIPRAP (42 INCH) (SPECIAL)
B59	63765.75	93998.37	7289.50	TOP OF RIPRAP (42 INCH) (SPECIAL)
B60	63764.23	94001.91	7291.50	TOP OF RIPRAP (42 INCH) (SPECIAL)
B61	63764.86	94007.19	7292.50	TOP OF RIPRAP (42 INCH) (SPECIAL)
B62	63768.84	94008.09	7291.50	TOP OF RIPRAP (42 INCH) (SPECIAL)
B63	63770.02	94012.87	7292.30	TOP OF RIPRAP (42 INCH) (SPECIAL)
B64	63774.78	94013.70	7292.00	TOP OF RIPRAP (42 INCH) (SPECIAL)
B65	63777.21	94017.34	7292.00	TOP OF RIPRAP (42 INCH) (SPECIAL)
B66	63781.31	94015.22	7291.50	TOP OF RIPRAP (42 INCH) (SPECIAL)
B67	63787.75	94022.60	7290.50	TOP OF RIPRAP (42 INCH) (SPECIAL)
B68	63793.59	94013.42	7289.30	TOP OF RIPRAP (42 INCH) (SPECIAL)
B69	63793.74	94019.29	7291.50	TOP OF RIPRAP (42 INCH) (SPECIAL)
B70	63803.68	94015.75	7289.40	TOP OF RIPRAP (42 INCH) (SPECIAL)
B71	63805.08	94008.57	7289.50	TOP OF RIPRAP (42 INCH) (SPECIAL)
B72	63808.83	94003.18	7291.80	TOP OF RIPRAP (42 INCH) (SPECIAL)
B73	63809.97	94006.81	7290.50	TOP OF RIPRAP (42 INCH) (SPECIAL)

RIPRAP (42 INCH) (SPECIAL) POINT CHART (CONTINUED)

POINT	NORTHING	EASTING	ELEVATION	DESCRIPTION
B74	63809.12	94010.51	7289.00	TOP OF RIPRAP (42 INCH) (SPECIAL)
B75	63808.19	94014.12	7289.00	TOP OF RIPRAP (42 INCH) (SPECIAL)
B76	63807.11	94018.67	7290.50	TOP OF RIPRAP (42 INCH) (SPECIAL)
B77	63812.04	94017.02	7290.00	TOP OF RIPRAP (42 INCH) (SPECIAL)
B78	63816.58	94019.72	7291.70	TOP OF RIPRAP (42 INCH) (SPECIAL)
B79	63814.13	94004.89	7290.50	TOP OF RIPRAP (42 INCH) (SPECIAL)
B80	63835.58	94008.29	7290.00	TOP OF RIPRAP (42 INCH) (SPECIAL)
B81	63842.85	93997.39	7289.50	TOP OF RIPRAP (42 INCH) (SPECIAL)
B82	63847.49	93994.15	7290.50	TOP OF RIPRAP (42 INCH) (SPECIAL)
B83	63862.17	93988.62	7291.80	TOP OF RIPRAP (42 INCH) (SPECIAL)
B84	63869.00	93991.44	7291.00	TOP OF RIPRAP (42 INCH) (SPECIAL)
B85	63869.39	94000.75	7290.00	TOP OF RIPRAP (42 INCH) (SPECIAL)
B86	63873.49	93993.39	7290.00	TOP OF RIPRAP (42 INCH) (SPECIAL)
B87	63878.43	93990.81	7291.50	TOP OF RIPRAP (42 INCH) (SPECIAL)
B88	63874.55	94002.96	7290.50	TOP OF RIPRAP (42 INCH) (SPECIAL)
B89	63876.80	94007.71	7292.00	TOP OF RIPRAP (42 INCH) (SPECIAL)
B90	63879.44	94003.35	7290.50	TOP OF RIPRAP (42 INCH) (SPECIAL)
B91	63877.66	94000.67	7289.50	TOP OF RIPRAP (42 INCH) (SPECIAL)
B92	63882.59	93993.11	7291.00	TOP OF RIPRAP (42 INCH) (SPECIAL)
B93	63888.43	93996.31	7290.50	TOP OF RIPRAP (42 INCH) (SPECIAL)
B94	63884.73	93997.10	7289.20	TOP OF RIPRAP (42 INCH) (SPECIAL)
B95	63882.27	94000.14	7289.20	TOP OF RIPRAP (42 INCH) (SPECIAL)
B96	63883.66	94003.50	7290.00	TOP OF RIPRAP (42 INCH) (SPECIAL)
B97	63886.10	94006.00	7291.00	TOP OF RIPRAP (42 INCH) (SPECIAL)

TABULATION OF BERRY CREEK REALIGNMENT

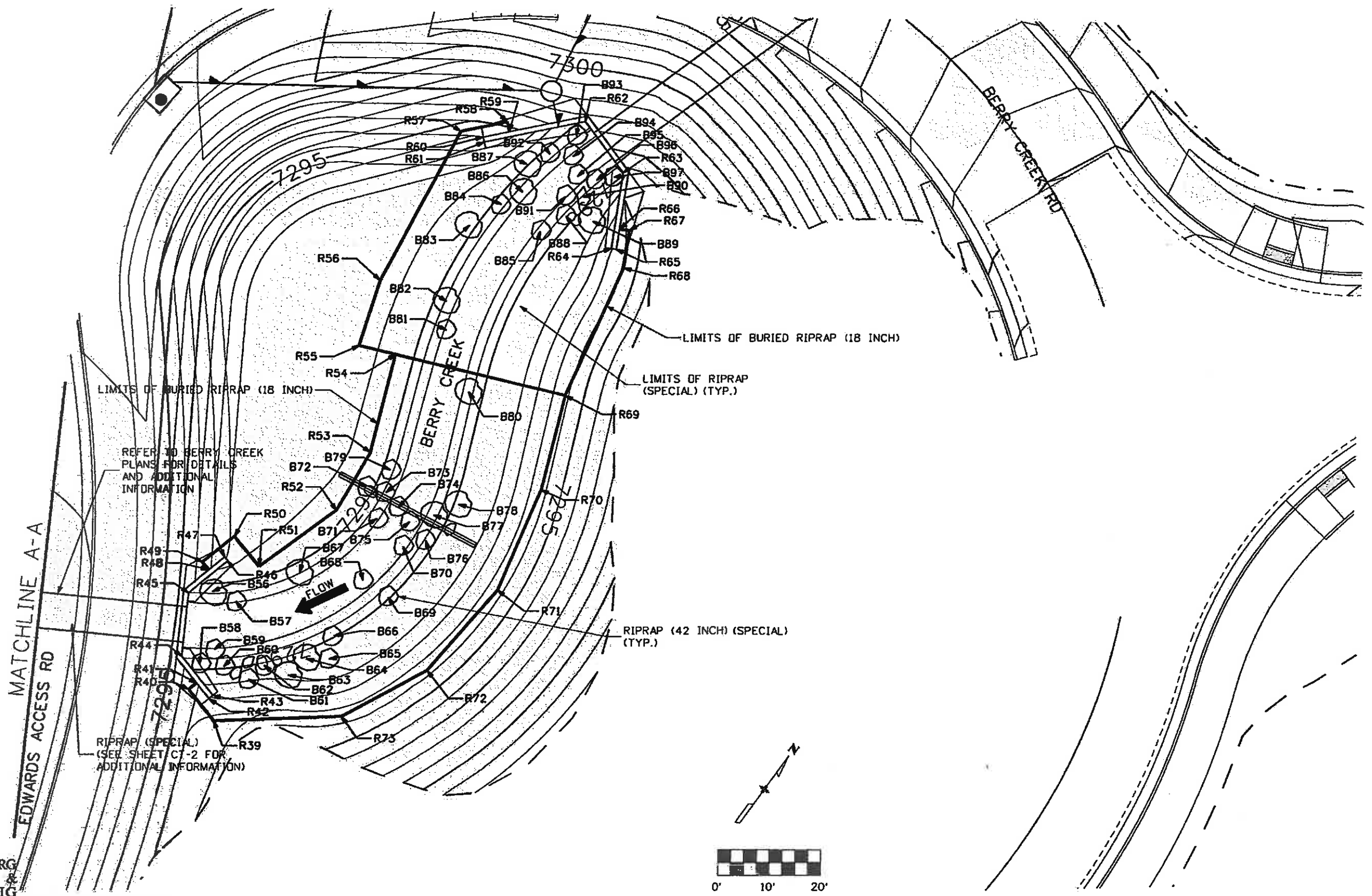
RIPRAP (18 INCH)	TOPSOIL	RIPRAP (42 INCH) (SPECIAL)	RIPRAP (SPECIAL)	CONCRETE CLASS B
C.Y.	C.Y.	EACH	C.Y.	C.Y.
525	230	97	447	35

NOTES:

1. QUANTITIES ARE CARRIED FORWARD TO THE SUMMARY OF APPROXIMATE QUANTITIES SHEETS.
2. TOPSOIL QUANTITY ONLY INCLUDES WHAT IS SHOWN ON TYPICAL SE



Know what's below.
Call before you dig.



FELSBURG
HOLT &
ULLEVIG

Print Date: 11/4/2009
 Drawing File Name: 06193BCDET06.dgn
 Horiz. Scale: 1:20
 Unit Information

Sheet Revisions		
Date:	Comments	Init.

Colorado Department of Transportation
 714 Grand Avenue, P.O. Box 298
 Eagle, CO 81631
 Phone: 970-328-6385 FAX: 970-328-2368
 Region 3 MLM

As Constructed
 No Revisions: 6-6-2011
 Revised:
 Void:

EDWARDS INTERCHANGE UPGRADE
 BERRY CREEK
 RIPRAP COORDINATE DATA

Designer: CDT	Structure Numbers
Detailer: RSA	
Sheet Subset: DRAINAGE	Subset Sheets: CD-8 of 8

Project No./Code
 ES3 0702-297
 17303
 Sheet Number 157