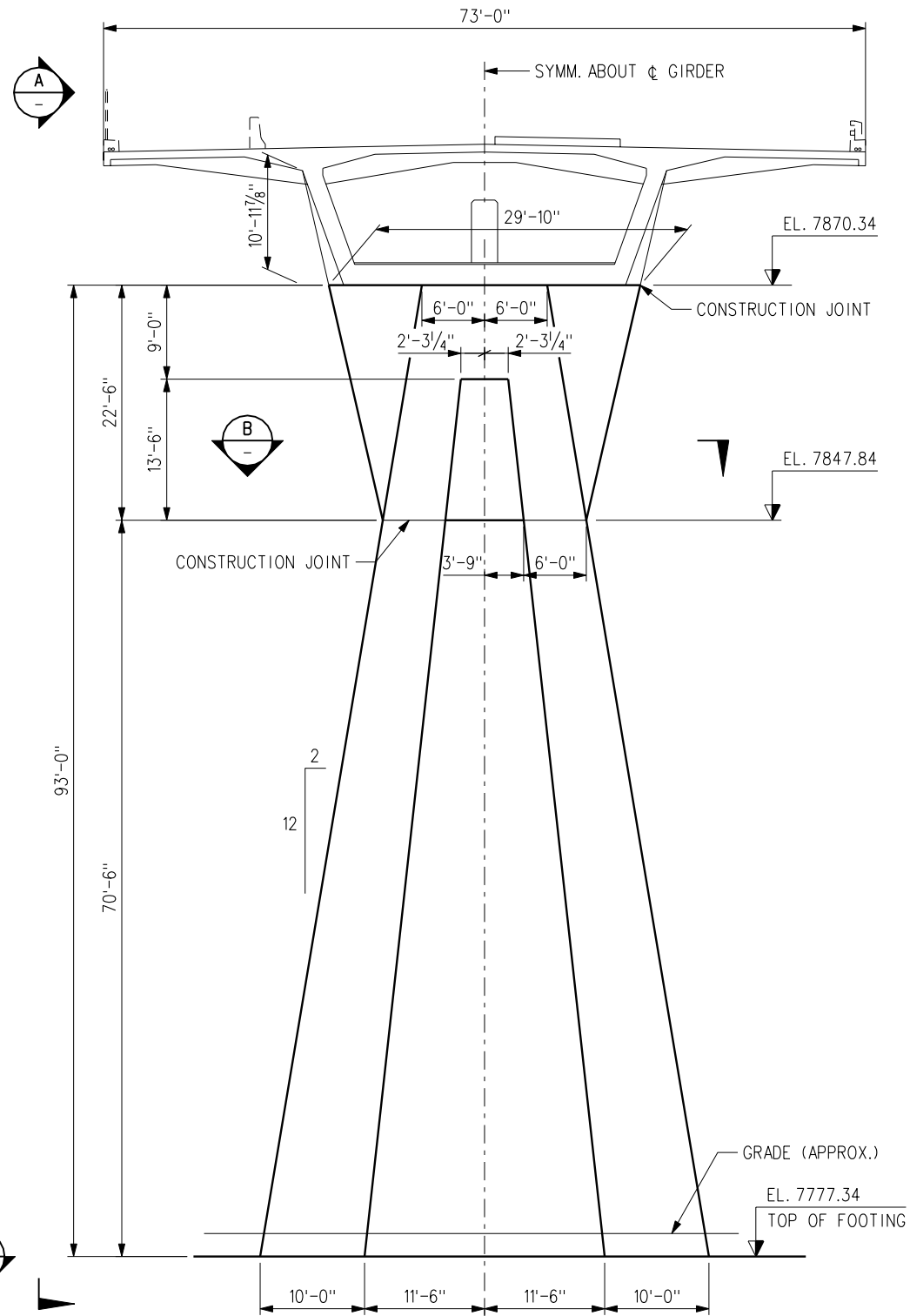


Revision Dates		Quantities (Preliminary Stage Only)	

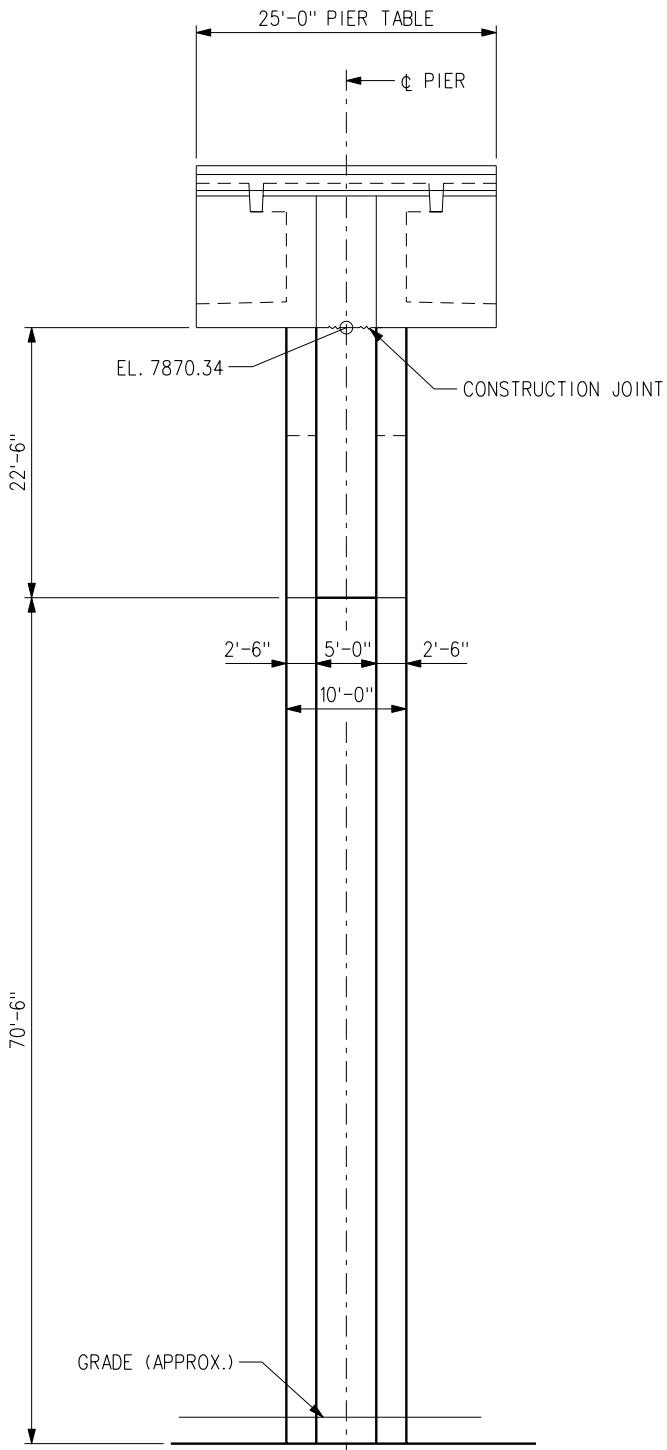
Design		Detail		Quantities	
INITIAL	DATE	INITIAL	DATE	INITIAL	DATE
Designed By	Checked By	Detailed By	Checked By	Quantities By	Checked By

12/28/2004

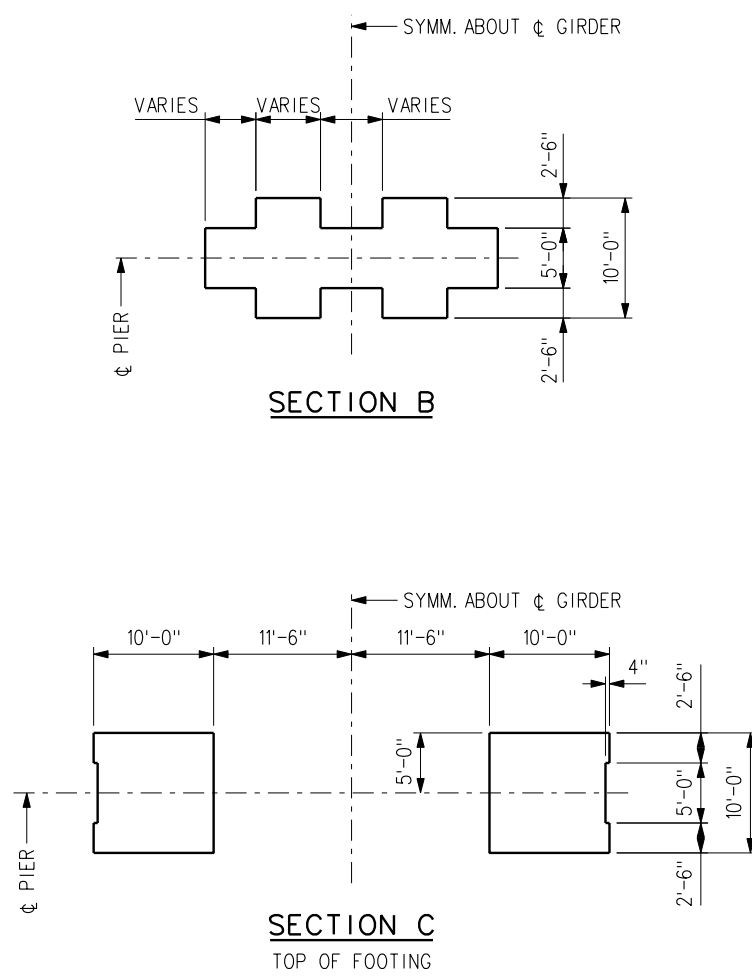
G:\646196 - Maroon Creek \CADD\Bridge\Pier\14834Pier.dgn



ELEVATION
LOOKING UPSTATION



VIEW A



SECTION B

SECTION C
TOP OF FOOTING

PRELIMINARY
FOR INFORMATION ONLY
NOT FOR CONSTRUCTION

- NOTES:
1. FOR PIER TABLE DIMENSIONS, SEE PIER TABLE DIMENSIONS SHEET.

Computer File Information		Sheet Revisions		Colorado Department of Transportation		As Constructed		MAROON CREEK BRIDGE PIER 2 AND 3 DIMENSIONS		Project No./Code	
Creation Date:	Initials:			202 Centennial Drive Glenwood Springs, CO 81601 Phone: (970) 945-8187 Fax: (970) 945-3860 1700 Broadway Suite 600 Denver, CO 80290 Phone: (303) 863-7900 Fax: (303) 863-7110		No Revisions:		Designer: T. STELMACK Detailer: D. PIEKMA Sheet Subset: BRIDGE		HB 0821-075	
Last Modification Date:	Initials:					Revised:				Structure Numbers: H-09-U	
Full Path:						Void:				Sheet Subset: B-23 of	
Drawing File Name:	.dgn										
Scale:	Units: English			REGION 3						Sheet Number:	