

Revision Dates (Preliminary Stage Only)

REVISION	DATE	INITIAL

Quantities

QUANTITY	INITIAL	DATE

Design

DESIGNED BY	DATE	INITIAL

Detail

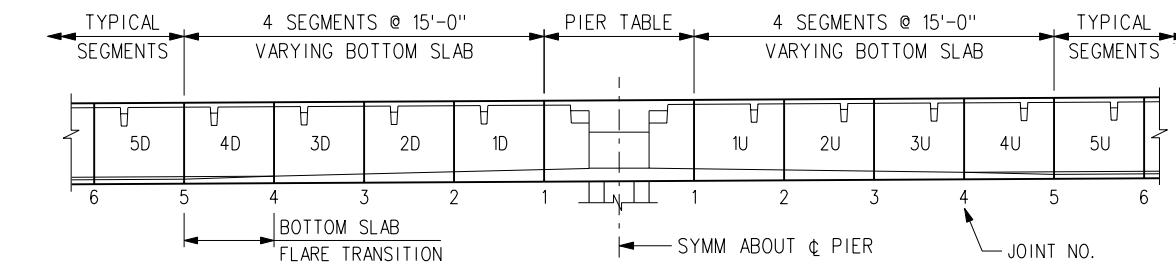
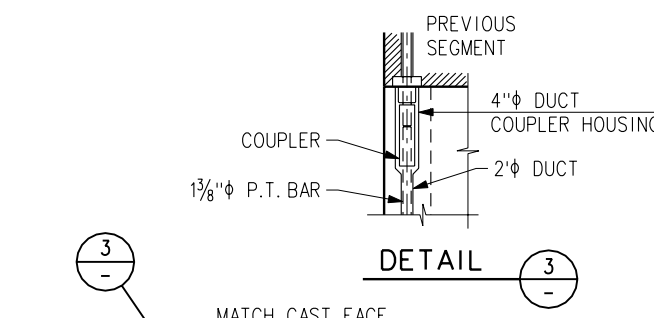
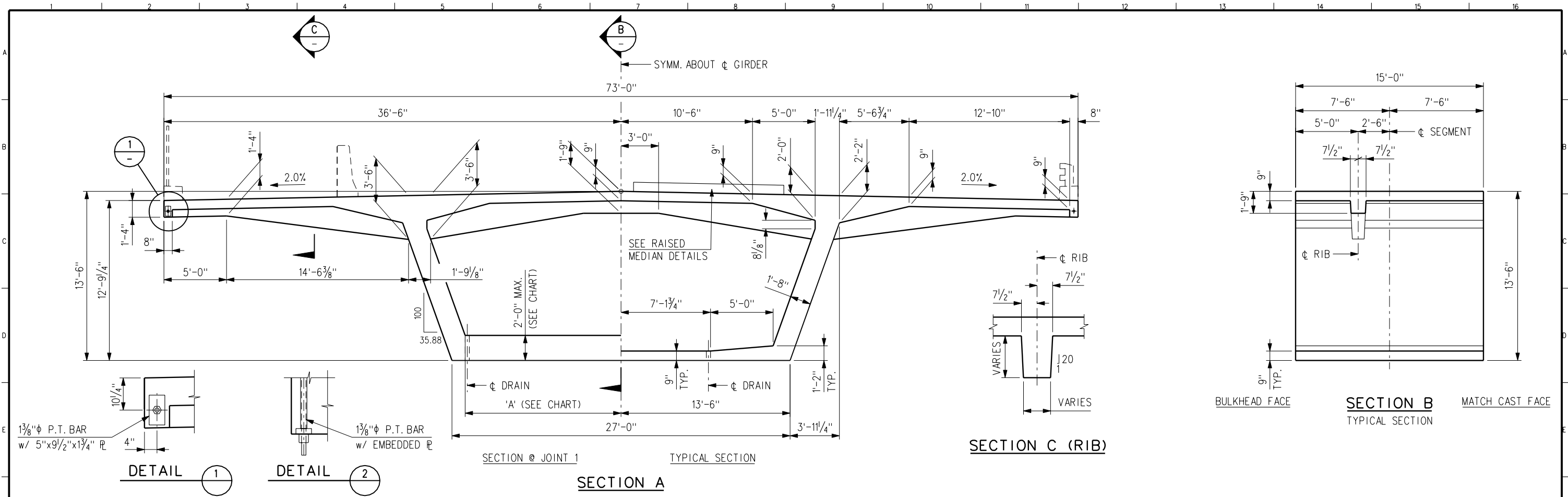
DETAILED BY	DATE	INITIAL

Checked By

CHECKED BY	DATE	INITIAL

09:57:13 AM G:\646196 - Maroon Creek VADD Bridge\14834TypeSeg.dgn

12/28/2004

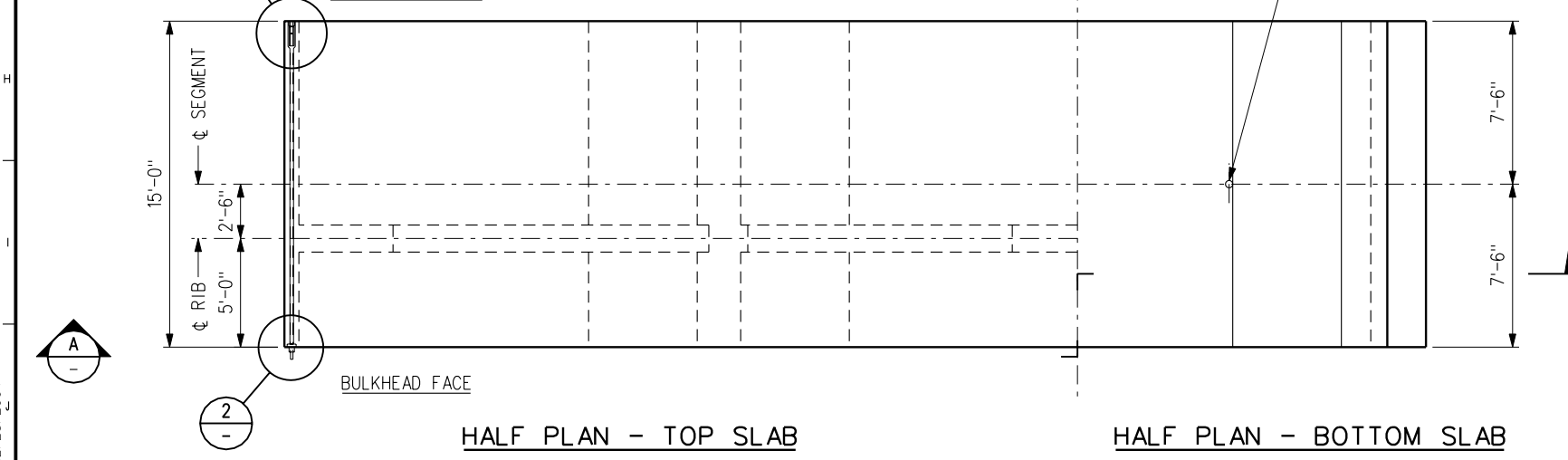


JOINT NUMBER	BOTTOM SLAB THICKNESS	DIMENSION 'A'
1	2'-0"	12'-5 3/8"
2	1'-8 1/4"	12'-4"
3	1'-4 1/2"	12'-2 5/8"
4	1'-2"	12'-1 3/4"
5	9"	—

PRELIMINARY UNCHECKED FOR INFORMATION ONLY NOT FOR CONSTRUCTION

NOTES:

- FOR TRANSVERSE P.T. DETAILS, SEE TRANSVERSE P.T. DETAILS SHEET.
- FOR LONGITUDINAL POST-TENSIONING DETAILS, SEE LONGITUDINAL P.T. LAYOUTS & LONGITUDINAL P.T. DETAILS SHEETS.
- FOR BULKHEAD DETAILS, SEE BULKHEAD DETAILS SHEET.
- FOR BOTTOM SLAB ANCHOR BLOCK DETAILS, SEE BOTTOM SLAB ANCHOR BLOCK DETAILS.
- FOR SEGMENT ACCESS LOCATIONS, SEE SEGMENT DESIGNATION SHEET.
- FOR SEGMENT ACCESS DETAILS, SEE ACCESS OPENING DETAILS SHEET.
- FOR RAILING DETAILS, SEE BRIDGE RAIL TYPE 7, TYPE 10, AND PIPE RAILING DETAILS.
- FOR MEDIAN DETAILS, SEE RAISED MEDIAN DETAILS SHEET.



Computer File Information Creation Date: _____ Initials: _____ Last Modification Date: _____ Initials: _____ Full Path: _____ Drawing File Name: _____ .dgn Scale: _____ Units: English		Sheet Revisions <table border="1"> <tr><td> </td><td> </td></tr> <tr><td> </td><td> </td></tr> <tr><td> </td><td> </td></tr> <tr><td> </td><td> </td></tr> </table>										Colorado Department of Transportation 202 Centennial Drive Glenwood Springs, CO 81601 Phone: (970) 945-8187 Fax: (970) 945-3860 1700 Broadway Suite 600 Denver, CO 80290 Phone: (303) 863-7900 Fax: (303) 863-7110 REGION 3		As Constructed No Revisions: Revised: Void:		MAROON CREEK BRIDGE TYPICAL SEGMENT DIMENSIONS Designer: T. STELMACK Detailer: K. KRUEGER Sheet Subset: BRIDGE		Project No./Code HB 0821-075 15155 Sheet Number:	