

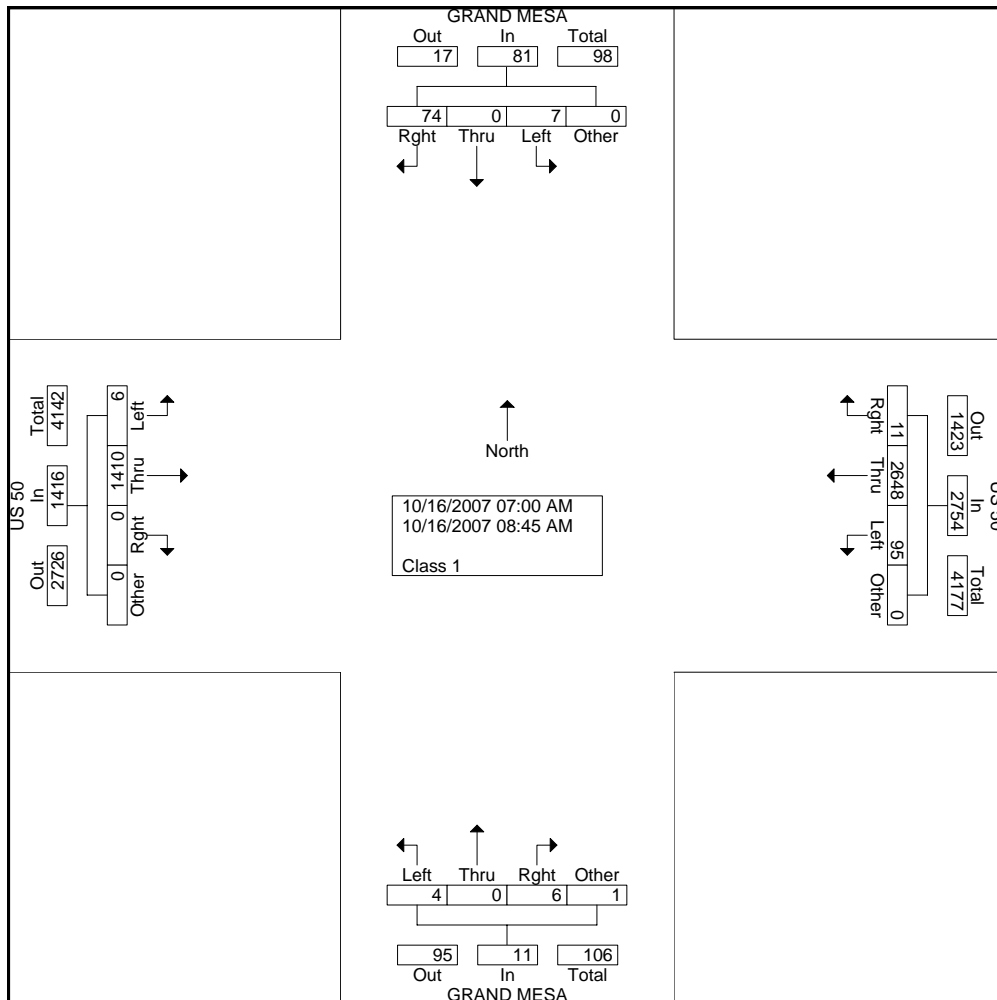


All Traffic Data Services, Inc.
 9660 W. 44th Ave.
 Wheat Ridge, CO 80033

File Name : #1 GRAND MESA & US 50 AM
 Site Code : 00000000
 Start Date : 10/16/2007
 Page No : 1

Groups Printed- Class 1

Start Time	GRAND MESA Southbound				US 50 Westbound				GRAND MESA Northbound				US 50 Eastbound				Int. Total
	Left	Thru	Right	Other	Left	Thru	Right	Other	Left	Thru	Right	Other	Left	Thru	Right	Other	
07:00 AM	2	0	10	0	17	299	0	0	1	0	1	0	2	158	0	0	490
07:15 AM	2	0	15	0	14	386	1	0	0	0	1	0	0	173	0	0	592
07:30 AM	0	0	2	0	13	410	0	0	0	0	1	0	1	179	0	0	606
07:45 AM	0	0	6	0	8	408	4	0	2	0	1	0	0	194	0	0	623
Total	4	0	33	0	52	1503	5	0	3	0	4	0	3	704	0	0	2311
08:00 AM	0	0	11	0	9	288	5	0	0	0	0	1	1	200	0	0	515
08:15 AM	1	0	6	0	16	287	1	0	0	0	1	0	0	188	0	0	500
08:30 AM	1	0	13	0	8	289	0	0	0	0	0	0	1	161	0	0	473
08:45 AM	1	0	11	0	10	281	0	0	1	0	1	0	1	157	0	0	463
Total	3	0	41	0	43	1145	6	0	1	0	2	1	3	706	0	0	1951
Grand Total	7	0	74	0	95	2648	11	0	4	0	6	1	6	1410	0	0	4262
Apprch %	8.6	0	91.4	0	3.4	96.2	0.4	0	36.4	0	54.5	9.1	0.4	99.6	0	0	
Total %	0.2	0	1.7	0	2.2	62.1	0.3	0	0.1	0	0.1	0	0.1	33.1	0	0	

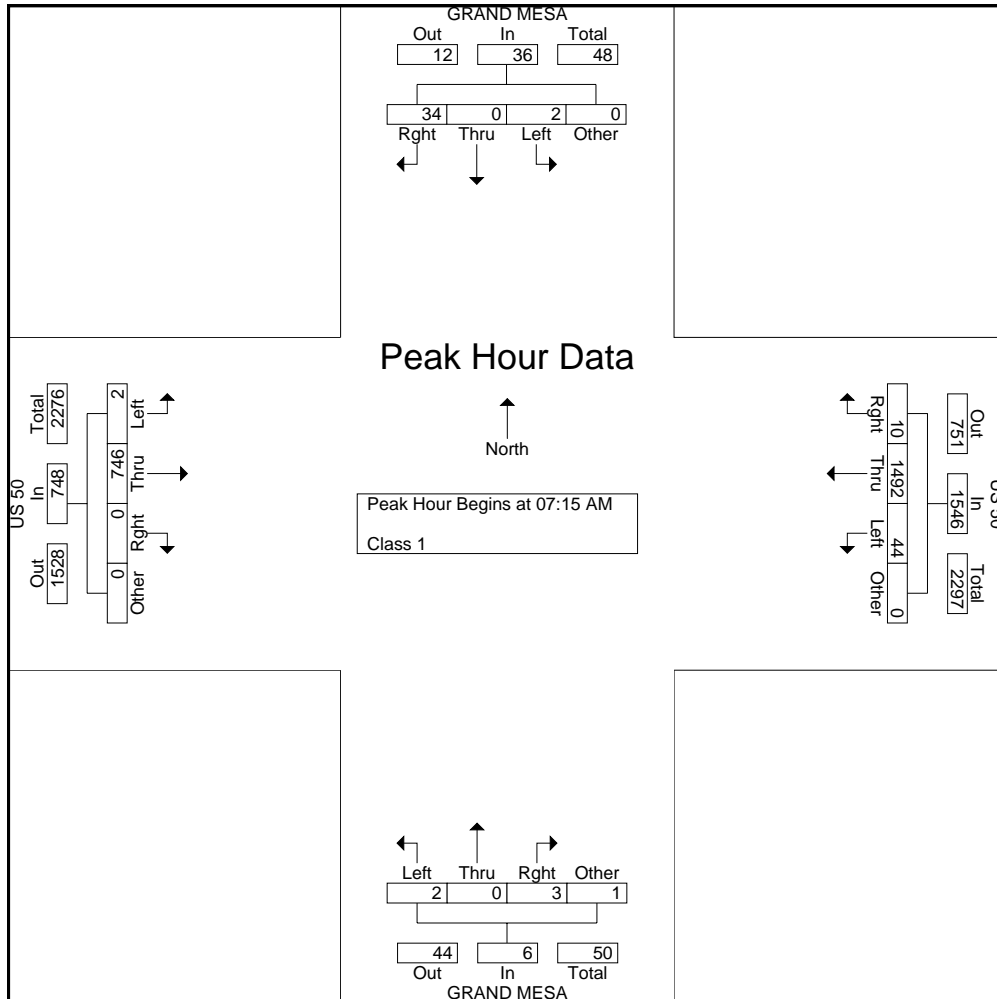




All Traffic Data Services, Inc.
 9660 W. 44th Ave.
 Wheat Ridge, CO 80033

File Name : #1 GRAND MESA & US 50 AM
 Site Code : 00000000
 Start Date : 10/16/2007
 Page No : 2

Start Time	GRAND MESA Southbound					US 50 Westbound					GRAND MESA Northbound					US 50 Eastbound					Int. Total
	Left	Thru	Rght	Other	App. Total	Left	Thru	Rght	Other	App. Total	Left	Thru	Rght	Other	App. Total	Left	Thru	Rght	Other	App. Total	
Peak Hour Analysis From 07:00 AM to 08:45 AM - Peak 1 of 1																					
Peak Hour for Entire Intersection Begins at 07:15 AM																					
07:15 AM	2	0	15	0	17	14	386	1	0	401	0	0	1	0	1	0	173	0	0	173	592
07:30 AM	0	0	2	0	2	13	410	0	0	423	0	0	1	0	1	1	179	0	0	180	606
07:45 AM	0	0	6	0	6	8	408	4	0	420	2	0	1	0	3	0	194	0	0	194	623
08:00 AM	0	0	11	0	11	9	288	5	0	302	0	0	0	1	1	1	200	0	0	201	515
Total Volume	2	0	34	0	36	44	1492	10	0	1546	2	0	3	1	6	2	746	0	0	748	2336
% App. Total	5.6	0	94.4	0		2.8	96.5	0.6	0		33.3	0	50	16.7		0.3	99.7	0	0		
PHF	.250	.000	.567	.000	.529	.786	.910	.500	.000	.914	.250	.000	.750	.250	.500	.500	.933	.000	.000	.930	.937



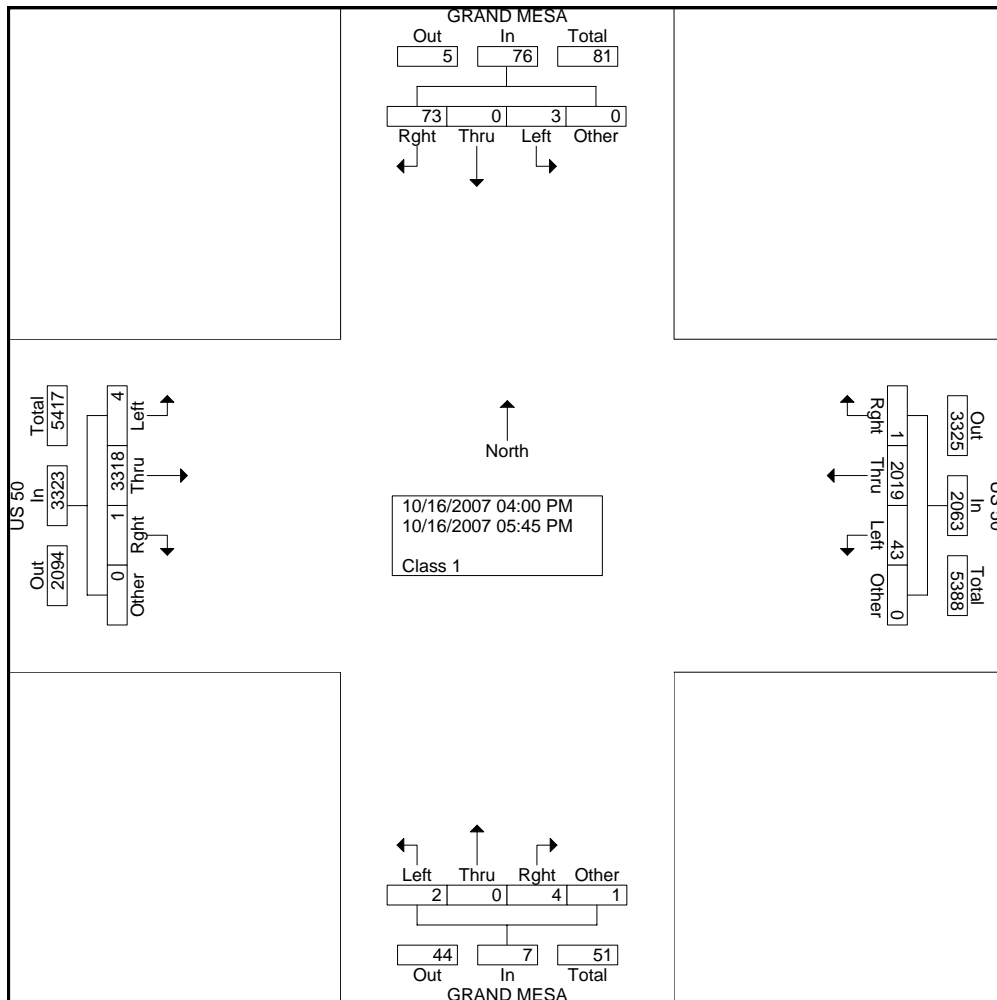


All Traffic Data Services, Inc.
 9660 W. 44th Ave.
 Wheat Ridge, CO 80033

File Name : #1 GRAND MESA & US 50 PM
 Site Code : 00000000
 Start Date : 10/16/2007
 Page No : 1

Groups Printed- Class 1

Start Time	GRAND MESA Southbound				US 50 Westbound				GRAND MESA Northbound				US 50 Eastbound				Int. Total
	Left	Thru	Right	Other	Left	Thru	Right	Other	Left	Thru	Right	Other	Left	Thru	Right	Other	
04:00 PM	0	0	7	0	3	239	0	0	0	0	1	0	0	336	0	0	586
04:15 PM	0	0	8	0	5	254	1	0	0	0	1	1	0	432	0	0	702
04:30 PM	1	0	10	0	6	262	0	0	0	0	1	0	0	371	0	0	651
04:45 PM	0	0	13	0	5	246	0	0	1	0	0	0	0	408	0	0	673
Total	1	0	38	0	19	1001	1	0	1	0	3	1	0	1547	0	0	2612
05:00 PM	1	0	14	0	6	246	0	0	1	0	0	0	1	411	0	0	680
05:15 PM	0	0	7	0	7	289	0	0	0	0	0	0	1	476	1	0	781
05:30 PM	0	0	7	0	5	254	0	0	0	0	0	0	1	474	0	0	741
05:45 PM	1	0	7	0	6	229	0	0	0	0	1	0	1	410	0	0	655
Total	2	0	35	0	24	1018	0	0	1	0	1	0	4	1771	1	0	2857
Grand Total	3	0	73	0	43	2019	1	0	2	0	4	1	4	3318	1	0	5469
Apprch %	3.9	0	96.1	0	2.1	97.9	0	0	28.6	0	57.1	14.3	0.1	99.8	0	0	
Total %	0.1	0	1.3	0	0.8	36.9	0	0	0	0	0.1	0	0.1	60.7	0	0	

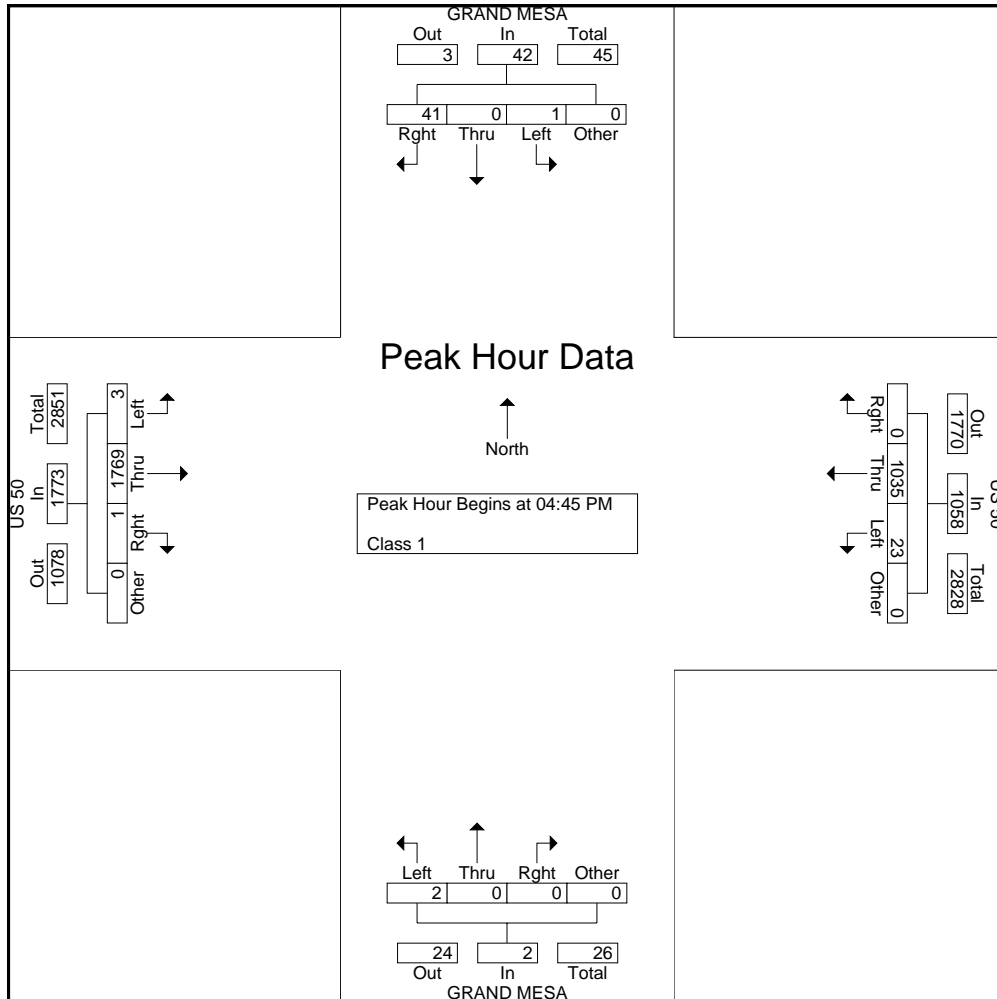




All Traffic Data Services, Inc.
 9660 W. 44th Ave.
 Wheat Ridge, CO 80033

File Name : #1 GRAND MESA & US 50 PM
 Site Code : 00000000
 Start Date : 10/16/2007
 Page No : 2

Start Time	GRAND MESA Southbound					US 50 Westbound					GRAND MESA Northbound					US 50 Eastbound					Int. Total
	Left	Thru	Right	Other	App. Total	Left	Thru	Right	Other	App. Total	Left	Thru	Right	Other	App. Total	Left	Thru	Right	Other	App. Total	
Peak Hour Analysis From 04:00 PM to 05:45 PM - Peak 1 of 1																					
Peak Hour for Entire Intersection Begins at 04:45 PM																					
04:45 PM	0	0	13	0	13	5	246	0	0	251	1	0	0	0	1	0	408	0	0	408	673
05:00 PM	1	0	14	0	15	6	246	0	0	252	1	0	0	0	1	1	411	0	0	412	680
05:15 PM	0	0	7	0	7	7	289	0	0	296	0	0	0	0	0	1	476	1	0	478	781
05:30 PM	0	0	7	0	7	5	254	0	0	259	0	0	0	0	0	1	474	0	0	475	741
Total Volume	1	0	41	0	42	23	1035	0	0	1058	2	0	0	0	2	3	1769	1	0	1773	2875
% App. Total	2.4	0	97.6	0		2.2	97.8	0	0		100	0	0	0		0.2	99.8	0.1	0		
PHF	.250	.000	.732	.000	.700	.821	.895	.000	.000	.894	.500	.000	.000	.000	.500	.750	.929	.250	.000	.927	.920



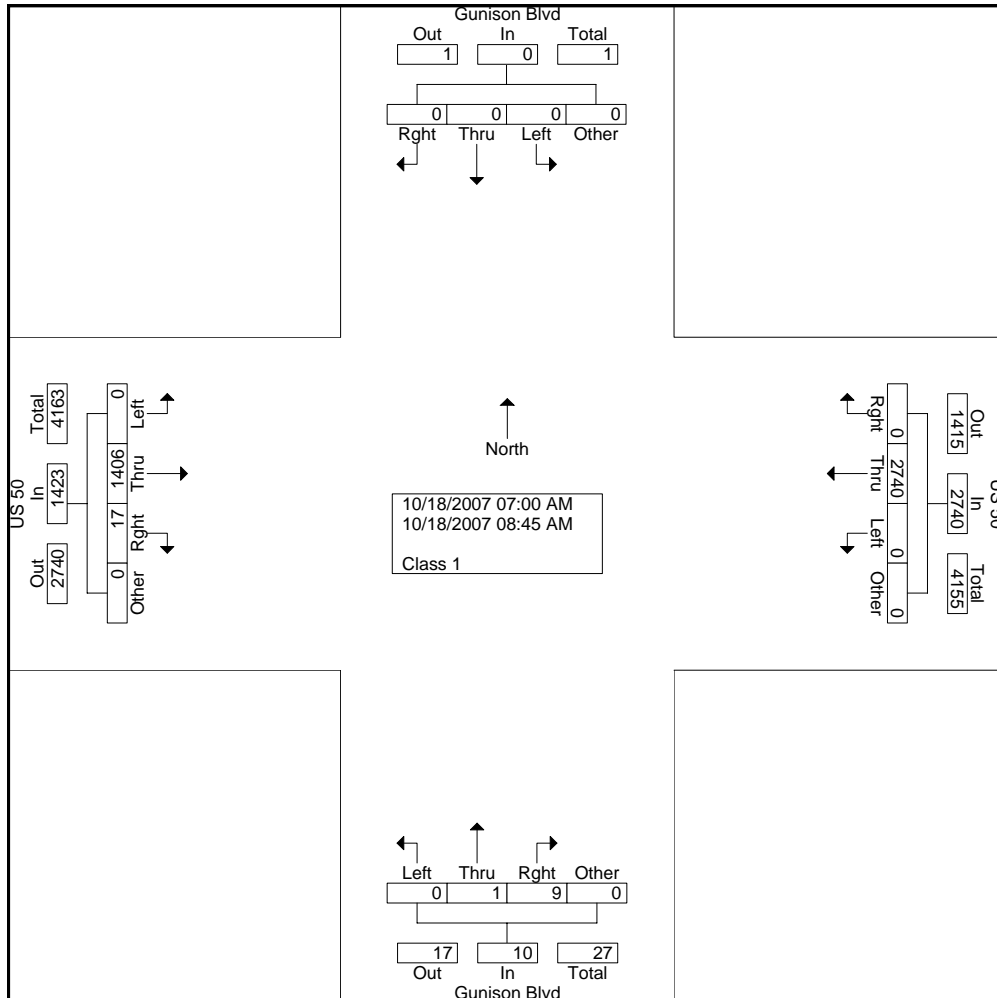


All Traffic Data Services, Inc.
 9660 W. 44th Ave.
 Wheat Ridge, CO 80033

File Name : #2 Gunnison Blvd & US 50 AM
 Site Code : 00000000
 Start Date : 10/18/2007
 Page No : 1

Groups Printed- Class 1

Start Time	Gunison Blvd Southbound				US 50 Westbound				Gunison Blvd Northbound				US 50 Eastbound				Int. Total
	Left	Thru	Rght	Other	Left	Thru	Rght	Other	Left	Thru	Rght	Other	Left	Thru	Rght	Other	
07:00 AM	0	0	0	0	0	315	0	0	0	1	0	0	0	160	0	0	476
07:15 AM	0	0	0	0	0	400	0	0	0	0	0	0	0	179	3	0	582
07:30 AM	0	0	0	0	0	425	0	0	0	0	3	0	0	178	4	0	610
07:45 AM	0	0	0	0	0	419	0	0	0	0	1	0	0	190	4	0	614
Total	0	0	0	0	0	1559	0	0	0	1	4	0	0	707	11	0	2282
08:00 AM	0	0	0	0	0	299	0	0	0	0	1	0	0	200	0	0	500
08:15 AM	0	0	0	0	0	294	0	0	0	0	2	0	0	181	3	0	480
08:30 AM	0	0	0	0	0	298	0	0	0	0	0	0	0	160	2	0	460
08:45 AM	0	0	0	0	0	290	0	0	0	0	2	0	0	158	1	0	451
Total	0	0	0	0	0	1181	0	0	0	0	5	0	0	699	6	0	1891
Grand Total	0	0	0	0	0	2740	0	0	0	1	9	0	0	1406	17	0	4173
Apprch %	0	0	0	0	0	100	0	0	0	10	90	0	0	98.8	1.2	0	
Total %	0	0	0	0	0	65.7	0	0	0	0	0.2	0	0	33.7	0.4	0	

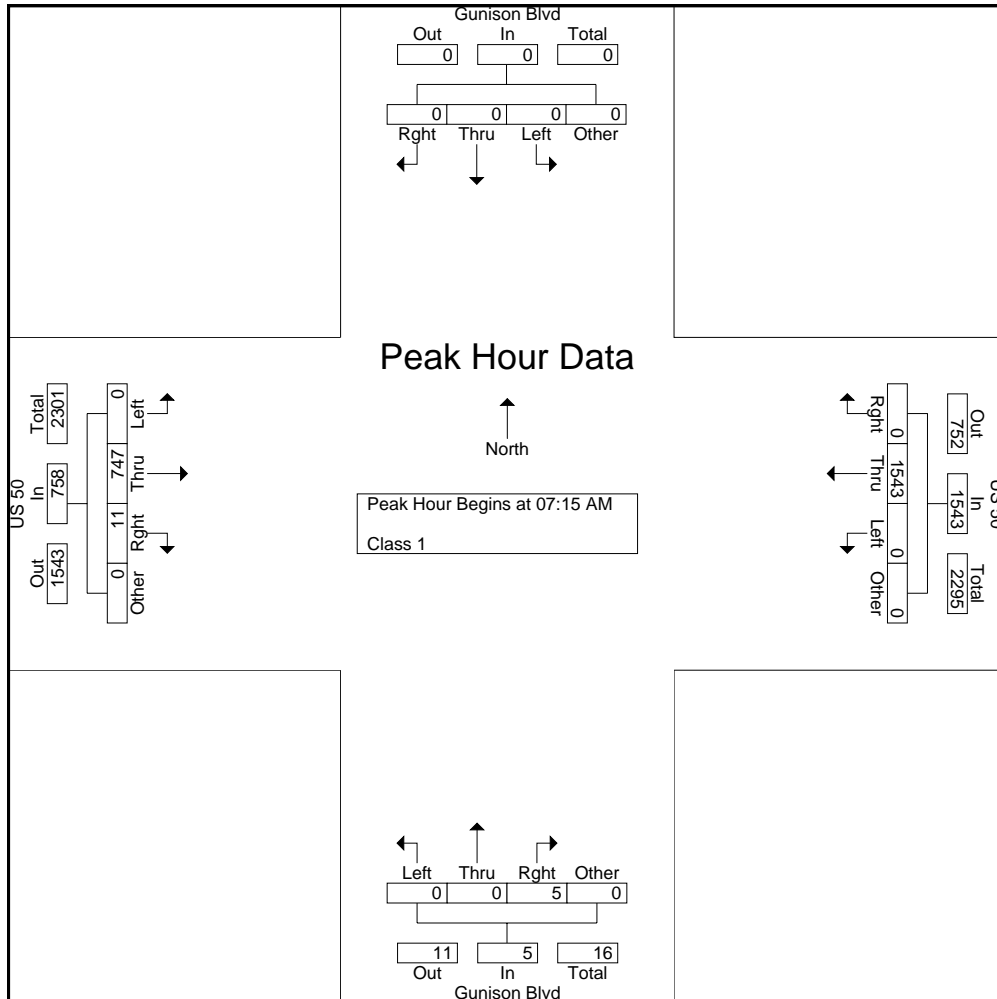




All Traffic Data Services, Inc.
 9660 W. 44th Ave.
 Wheat Ridge, CO 80033

File Name : #2 Gunnison Blvd & US 50 AM
 Site Code : 00000000
 Start Date : 10/18/2007
 Page No : 2

Start Time	Gunnison Blvd Southbound					US 50 Westbound					Gunnison Blvd Northbound					US 50 Eastbound					Int. Total
	Left	Thru	Right	Other	App. Total	Left	Thru	Right	Other	App. Total	Left	Thru	Right	Other	App. Total	Left	Thru	Right	Other	App. Total	
Peak Hour Analysis From 07:00 AM to 08:45 AM - Peak 1 of 1																					
Peak Hour for Entire Intersection Begins at 07:15 AM																					
07:15 AM	0	0	0	0	0	0	400	0	0	400	0	0	0	0	0	0	179	3	0	182	582
07:30 AM	0	0	0	0	0	0	425	0	0	425	0	0	3	0	3	0	178	4	0	182	610
07:45 AM	0	0	0	0	0	0	419	0	0	419	0	0	1	0	1	0	190	4	0	194	614
08:00 AM	0	0	0	0	0	0	299	0	0	299	0	0	1	0	1	0	200	0	0	200	500
Total Volume	0	0	0	0	0	0	1543	0	0	1543	0	0	5	0	5	0	747	11	0	758	2306
% App. Total	0	0	0	0	0	0	100	0	0	100	0	0	100	0	100	0	98.5	1.5	0	98.5	98.5
PHF	.000	.000	.000	.000	.000	.000	.908	.000	.000	.908	.000	.000	.417	.000	.417	.000	.934	.688	.000	.948	.939



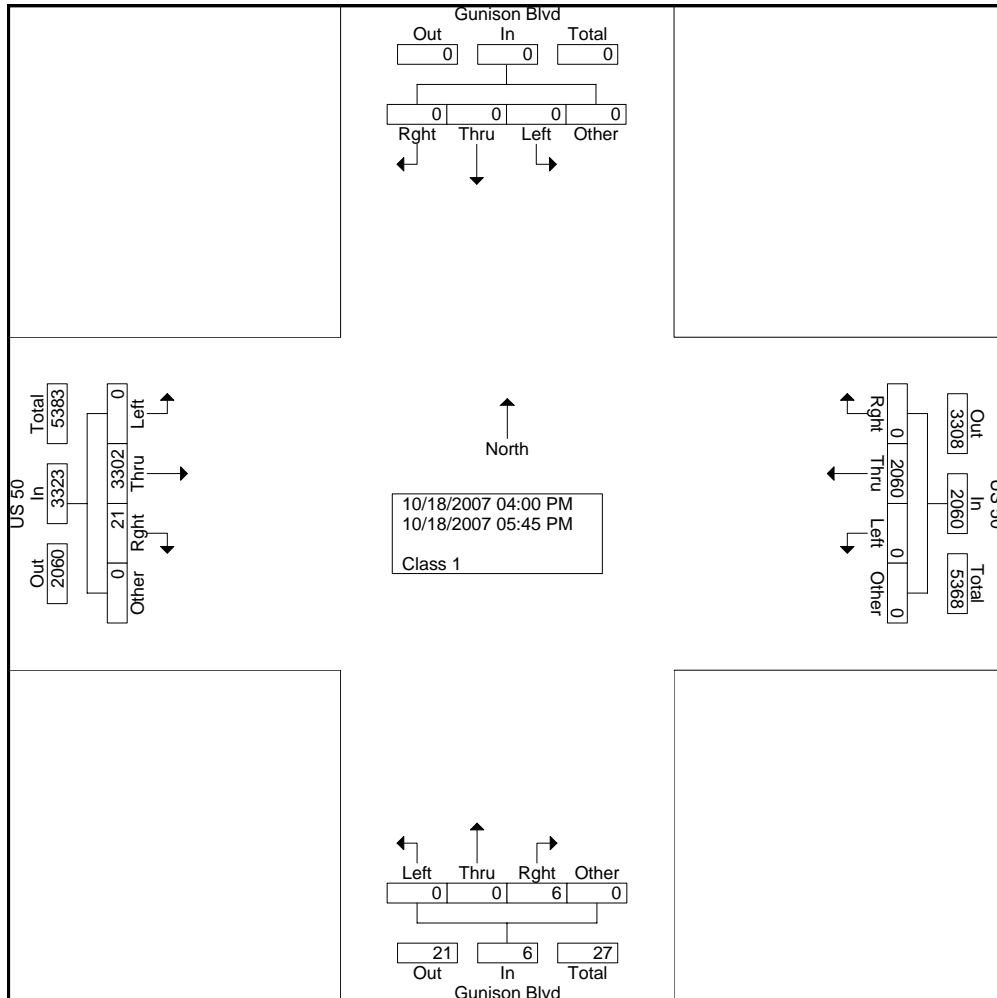


All Traffic Data Services, Inc.
 9660 W. 44th Ave.
 Wheat Ridge, CO 80033

File Name : #2 Gunnison Blvd & US 50 PM
 Site Code : 00000000
 Start Date : 10/18/2007
 Page No : 1

Groups Printed- Class 1

Start Time	Gunison Blvd Southbound				US 50 Westbound				Gunison Blvd Northbound				US 50 Eastbound				Int. Total
	Left	Thru	Right	Other	Left	Thru	Right	Other	Left	Thru	Right	Other	Left	Thru	Right	Other	
04:00 PM	0	0	0	0	0	256	0	0	0	0	1	0	0	330	5	0	592
04:15 PM	0	0	0	0	0	261	0	0	0	0	3	0	0	412	4	0	680
04:30 PM	0	0	0	0	0	264	0	0	0	0	0	0	0	389	2	0	655
04:45 PM	0	0	0	0	0	250	0	0	0	0	0	0	0	400	3	0	653
Total	0	0	0	0	0	1031	0	0	0	0	4	0	0	1531	14	0	2580
05:00 PM	0	0	0	0	0	251	0	0	0	0	0	0	0	415	2	0	668
05:15 PM	0	0	0	0	0	274	0	0	0	0	0	0	0	475	1	0	750
05:30 PM	0	0	0	0	0	256	0	0	0	0	0	0	0	471	1	0	728
05:45 PM	0	0	0	0	0	248	0	0	0	0	2	0	0	410	3	0	663
Total	0	0	0	0	0	1029	0	0	0	0	2	0	0	1771	7	0	2809
Grand Total	0	0	0	0	0	2060	0	0	0	0	6	0	0	3302	21	0	5389
Apprch %	0	0	0	0	0	100	0	0	0	0	100	0	0	99.4	0.6	0	
Total %	0	0	0	0	0	38.2	0	0	0	0	0.1	0	0	61.3	0.4	0	

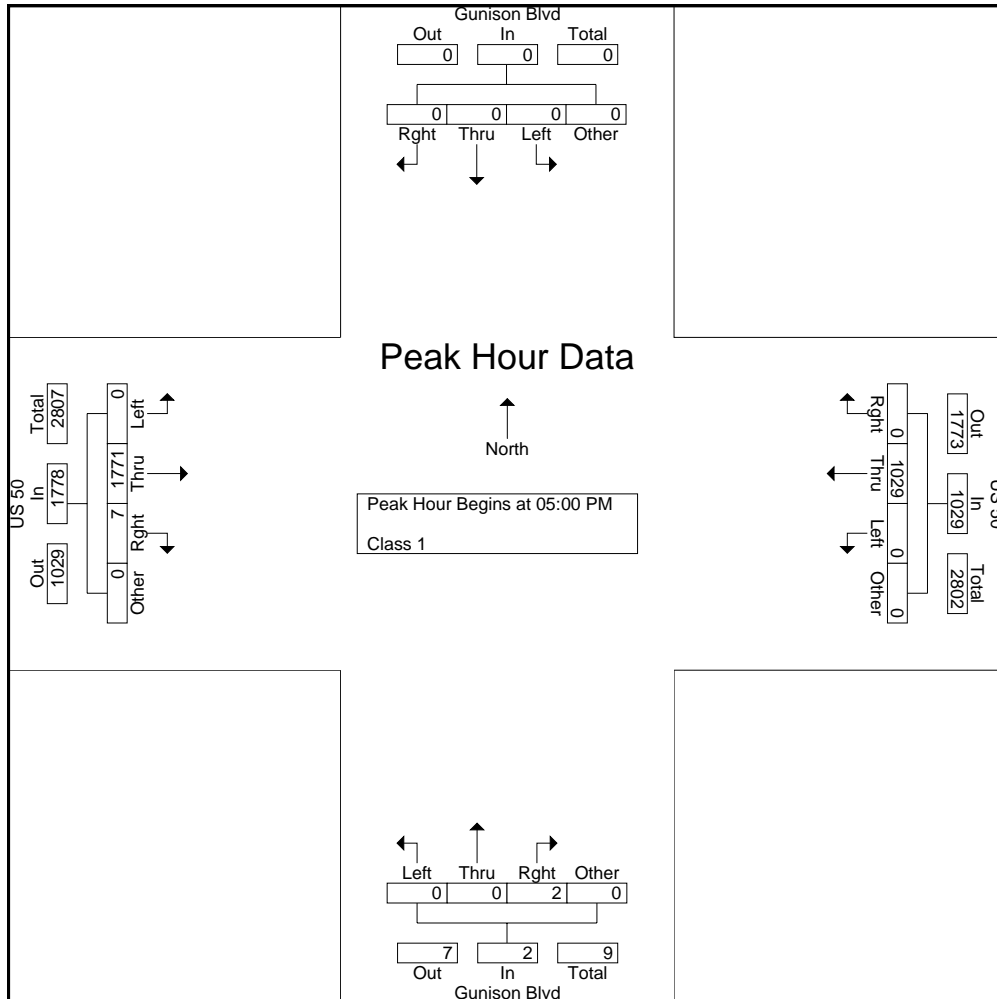




All Traffic Data Services, Inc.
 9660 W. 44th Ave.
 Wheat Ridge, CO 80033

File Name : #2 Gunnison Blvd & US 50 PM
 Site Code : 00000000
 Start Date : 10/18/2007
 Page No : 2

Start Time	Gunnison Blvd Southbound					US 50 Westbound					Gunnison Blvd Northbound					US 50 Eastbound					Int. Total
	Left	Thru	Right	Other	App. Total	Left	Thru	Right	Other	App. Total	Left	Thru	Right	Other	App. Total	Left	Thru	Right	Other	App. Total	
Peak Hour Analysis From 04:00 PM to 05:45 PM - Peak 1 of 1																					
Peak Hour for Entire Intersection Begins at 05:00 PM																					
05:00 PM	0	0	0	0	0	0	251	0	0	251	0	0	0	0	0	0	415	2	0	417	668
05:15 PM	0	0	0	0	0	0	274	0	0	274	0	0	0	0	0	0	475	1	0	476	750
05:30 PM	0	0	0	0	0	0	256	0	0	256	0	0	0	0	0	0	471	1	0	472	728
05:45 PM	0	0	0	0	0	0	248	0	0	248	0	0	2	0	2	0	410	3	0	413	663
Total Volume	0	0	0	0	0	0	1029	0	0	1029	0	0	2	0	2	0	1771	7	0	1778	2809
% App. Total	0	0	0	0	0	0	100	0	0	100	0	0	100	0	0	0	99.6	0.4	0	0	
PHF	.000	.000	.000	.000	.000	.000	.939	.000	.000	.939	.000	.000	.250	.000	.250	.000	.932	.583	.000	.934	.936



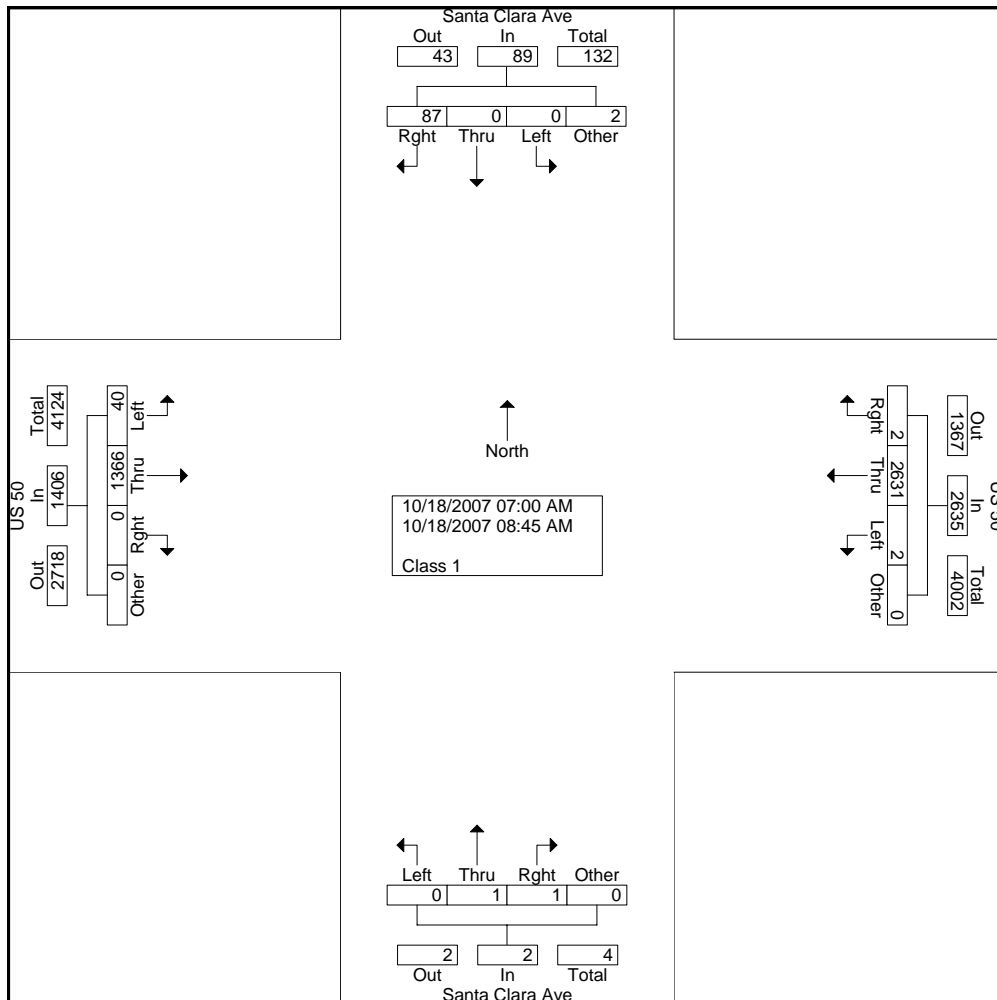


All Traffic Data Services, Inc.
 9660 W. 44th Ave.
 Wheat Ridge, CO 80033

File Name : #3 Santa Clara & US 50 AM
 Site Code : 00000000
 Start Date : 10/18/2007
 Page No : 1

Groups Printed- Class 1

Start Time	Santa Clara Ave Southbound				US 50 Westbound				Santa Clara Ave Northbound				US 50 Eastbound				Int. Total
	Left	Thru	Right	Other	Left	Thru	Right	Other	Left	Thru	Right	Other	Left	Thru	Right	Other	
07:00 AM	0	0	7	0	0	312	0	0	0	1	0	0	1	155	0	0	476
07:15 AM	0	0	8	0	0	381	1	0	0	0	0	0	2	184	0	0	576
07:30 AM	0	0	13	1	0	413	0	0	0	0	0	0	11	163	0	0	601
07:45 AM	0	0	9	0	0	409	0	0	0	0	0	0	7	182	0	0	607
Total	0	0	37	1	0	1515	1	0	0	1	0	0	21	684	0	0	2260
08:00 AM	0	0	11	0	1	281	1	0	0	0	1	0	10	192	0	0	497
08:15 AM	0	0	15	0	0	277	0	0	0	0	0	0	2	178	0	0	472
08:30 AM	0	0	19	0	0	276	0	0	0	0	0	0	4	161	0	0	460
08:45 AM	0	0	5	1	1	282	0	0	0	0	0	0	3	151	0	0	443
Total	0	0	50	1	2	1116	1	0	0	0	1	0	19	682	0	0	1872
Grand Total	0	0	87	2	2	2631	2	0	0	1	1	0	40	1366	0	0	4132
Apprch %	0	0	97.8	2.2	0.1	99.8	0.1	0	0	50	50	0	2.8	97.2	0	0	
Total %	0	0	2.1	0	0	63.7	0	0	0	0	0	0	1	33.1	0	0	

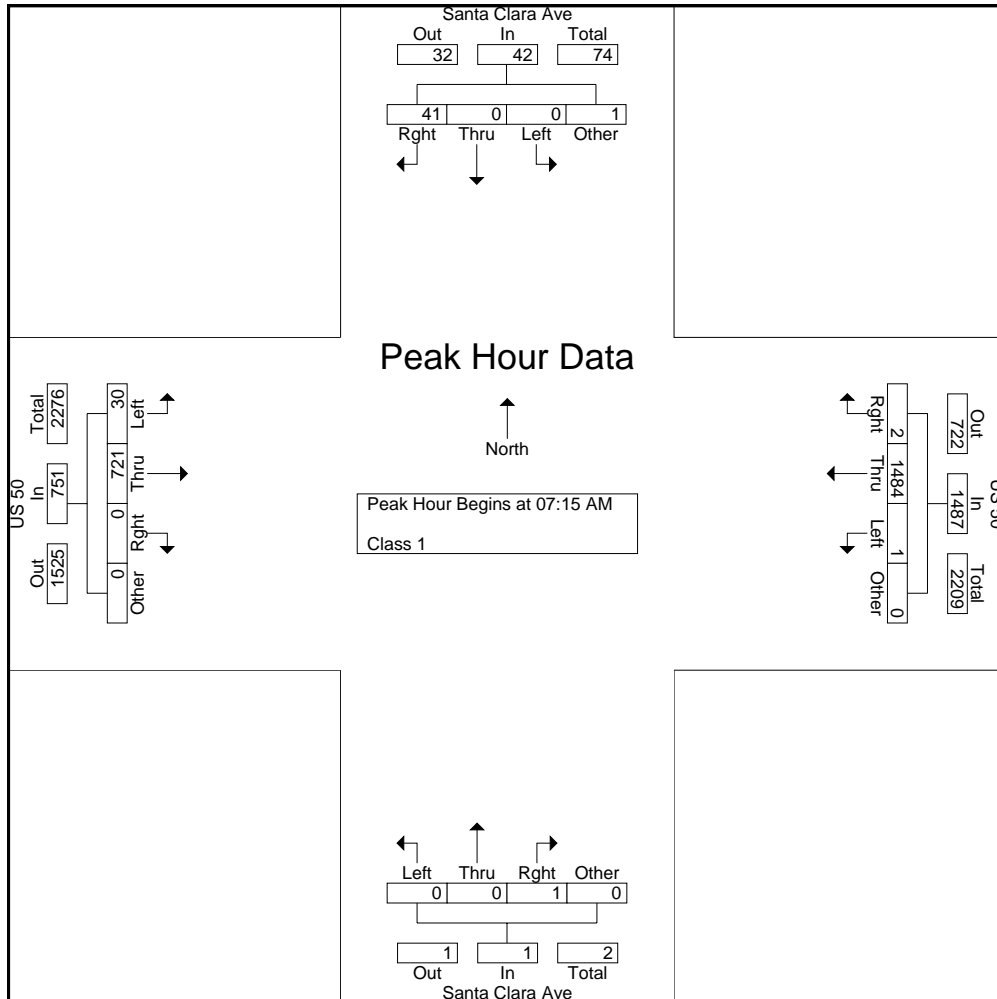




All Traffic Data Services, Inc.
 9660 W. 44th Ave.
 Wheat Ridge, CO 80033

File Name : #3 Santa Clara & US 50 AM
 Site Code : 00000000
 Start Date : 10/18/2007
 Page No : 2

Start Time	Santa Clara Ave Southbound					US 50 Westbound					Santa Clara Ave Northbound					US 50 Eastbound					Int. Total
	Left	Thru	Right	Other	App. Total	Left	Thru	Right	Other	App. Total	Left	Thru	Right	Other	App. Total	Left	Thru	Right	Other	App. Total	
Peak Hour Analysis From 07:00 AM to 08:45 AM - Peak 1 of 1																					
Peak Hour for Entire Intersection Begins at 07:15 AM																					
07:15 AM	0	0	8	0	8	0	381	1	0	382	0	0	0	0	0	2	184	0	0	186	576
07:30 AM	0	0	13	1	14	0	413	0	0	413	0	0	0	0	0	11	163	0	0	174	601
07:45 AM	0	0	9	0	9	0	409	0	0	409	0	0	0	0	0	7	182	0	0	189	607
08:00 AM	0	0	11	0	11	1	281	1	0	283	0	0	1	0	1	10	192	0	0	202	497
Total Volume	0	0	41	1	42	1	1484	2	0	1487	0	0	1	0	1	30	721	0	0	751	2281
% App. Total	0	0	97.6	2.4		0.1	99.8	0.1	0		0	0	100	0		4	96	0	0		
PHF	.000	.000	.788	.250	.750	.250	.898	.500	.000	.900	.000	.000	.250	.000	.250	.682	.939	.000	.000	.929	.939



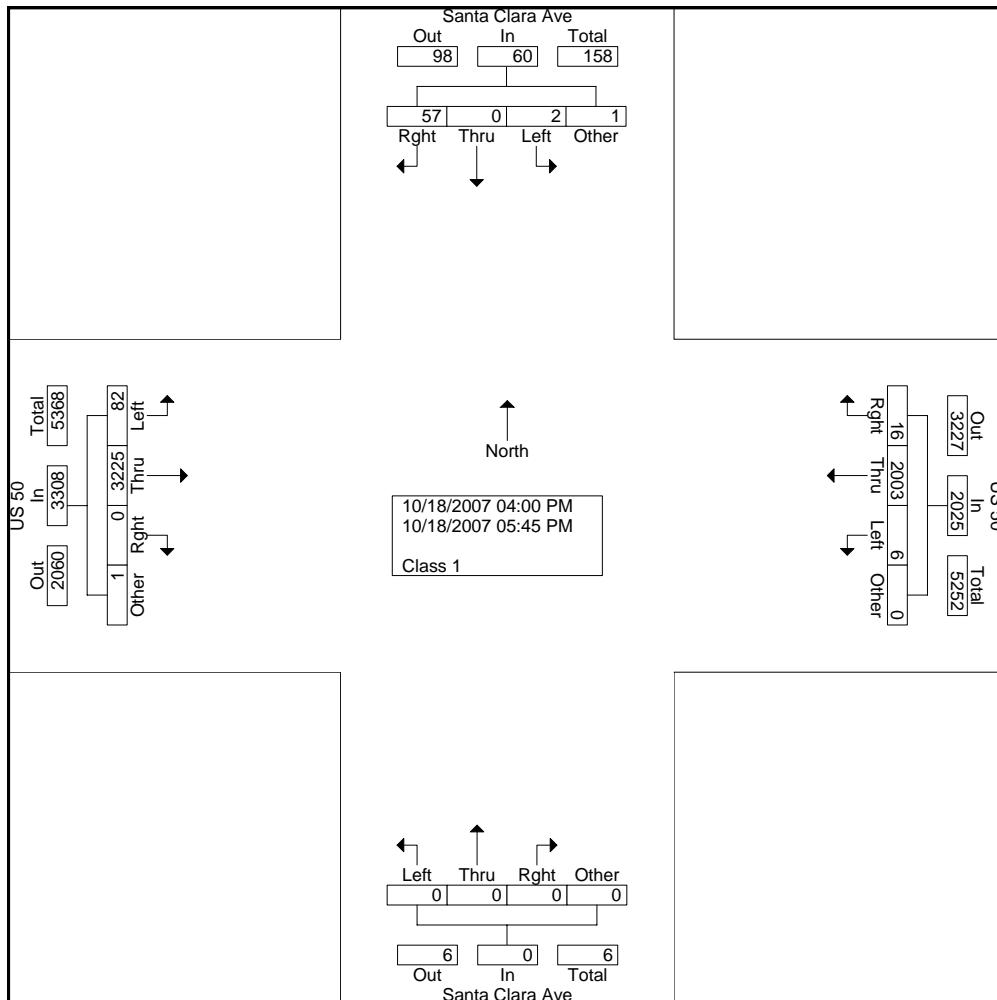


All Traffic Data Services, Inc.
 9660 W. 44th Ave.
 Wheat Ridge, CO 80033

File Name : #3 Santa Clara & US 50 PM
 Site Code : 00000000
 Start Date : 10/18/2007
 Page No : 1

Groups Printed- Class 1

Start Time	Santa Clara Ave Southbound				US 50 Westbound				Santa Clara Ave Northbound				US 50 Eastbound				Int. Total
	Left	Thru	Right	Other	Left	Thru	Right	Other	Left	Thru	Right	Other	Left	Thru	Right	Other	
04:00 PM	0	0	14	1	1	245	2	0	0	0	0	0	12	319	0	0	594
04:15 PM	0	0	9	0	1	249	3	0	0	0	0	0	12	401	0	0	675
04:30 PM	1	0	5	0	3	261	2	0	0	0	0	0	7	377	0	0	656
04:45 PM	0	0	5	0	0	247	1	0	0	0	0	0	10	395	0	0	658
Total	1	0	33	1	5	1002	8	0	0	0	0	0	41	1492	0	0	2583
05:00 PM	1	0	6	0	0	248	2	0	0	0	0	0	6	418	0	0	681
05:15 PM	0	0	10	0	0	268	2	0	0	0	0	0	13	455	0	0	748
05:30 PM	0	0	1	0	0	245	1	0	0	0	0	0	15	448	0	0	710
05:45 PM	0	0	7	0	1	240	3	0	0	0	0	0	7	412	0	1	671
Total	1	0	24	0	1	1001	8	0	0	0	0	0	41	1733	0	1	2810
Grand Total	2	0	57	1	6	2003	16	0	0	0	0	0	82	3225	0	1	5393
Apprch %	3.3	0	95	1.7	0.3	98.9	0.8	0	0	0	0	0	2.5	97.5	0	0	
Total %	0	0	1.1	0	0.1	37.1	0.3	0	0	0	0	0	1.5	59.8	0	0	

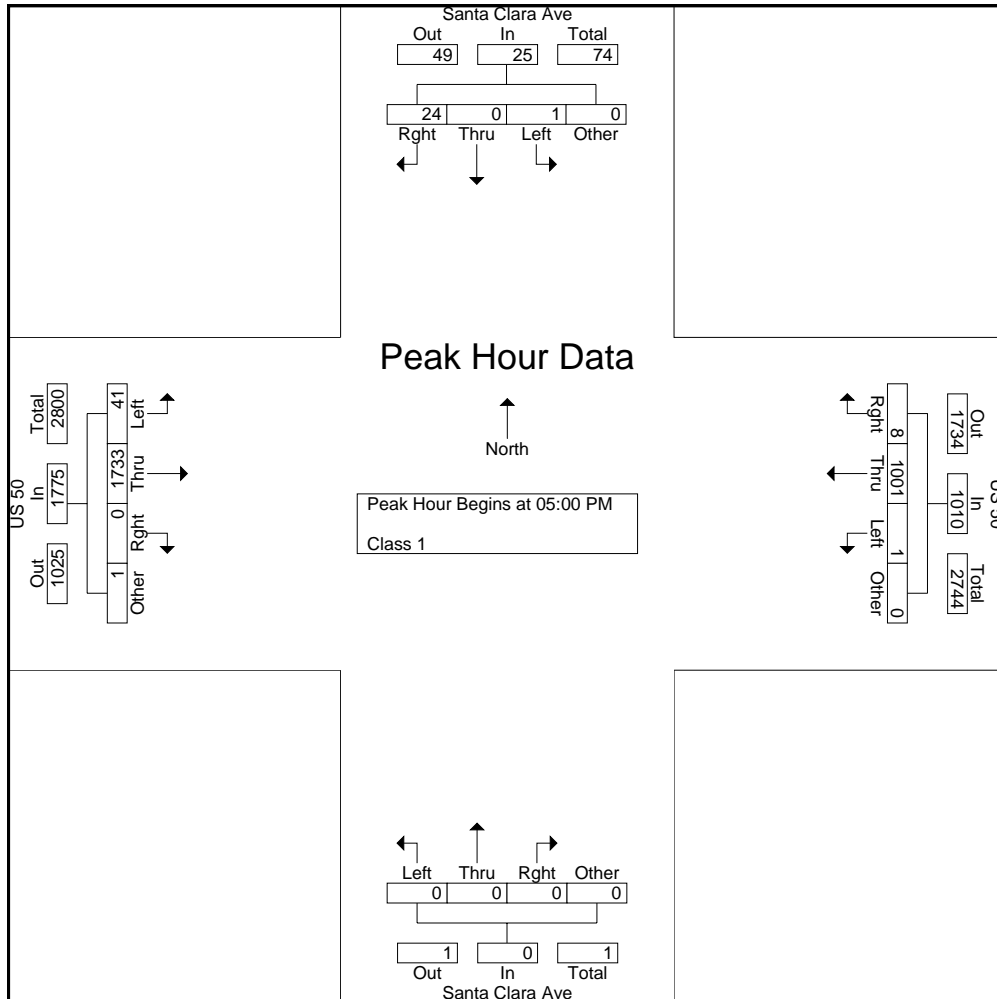




All Traffic Data Services, Inc.
 9660 W. 44th Ave.
 Wheat Ridge, CO 80033

File Name : #3 Santa Clara & US 50 PM
 Site Code : 00000000
 Start Date : 10/18/2007
 Page No : 2

Start Time	Santa Clara Ave Southbound					US 50 Westbound					Santa Clara Ave Northbound					US 50 Eastbound					Int. Total
	Left	Thru	Right	Other	App. Total	Left	Thru	Right	Other	App. Total	Left	Thru	Right	Other	App. Total	Left	Thru	Right	Other	App. Total	
Peak Hour Analysis From 04:00 PM to 05:45 PM - Peak 1 of 1																					
Peak Hour for Entire Intersection Begins at 05:00 PM																					
05:00 PM	1	0	6	0	7	0	248	2	0	250	0	0	0	0	0	6	418	0	0	424	681
05:15 PM	0	0	10	0	10	0	268	2	0	270	0	0	0	0	0	13	455	0	0	468	748
05:30 PM	0	0	1	0	1	0	245	1	0	246	0	0	0	0	0	15	448	0	0	463	710
05:45 PM	0	0	7	0	7	1	240	3	0	244	0	0	0	0	0	7	412	0	1	420	671
Total Volume	1	0	24	0	25	1	1001	8	0	1010	0	0	0	0	0	41	1733	0	1	1775	2810
% App. Total	4	0	96	0		0.1	99.1	0.8	0		0	0	0	0		2.3	97.6	0	0.1		
PHF	.250	.000	.600	.000	.625	.250	.934	.667	.000	.935	.000	.000	.000	.000	.000	.683	.952	.000	.250	.948	.939



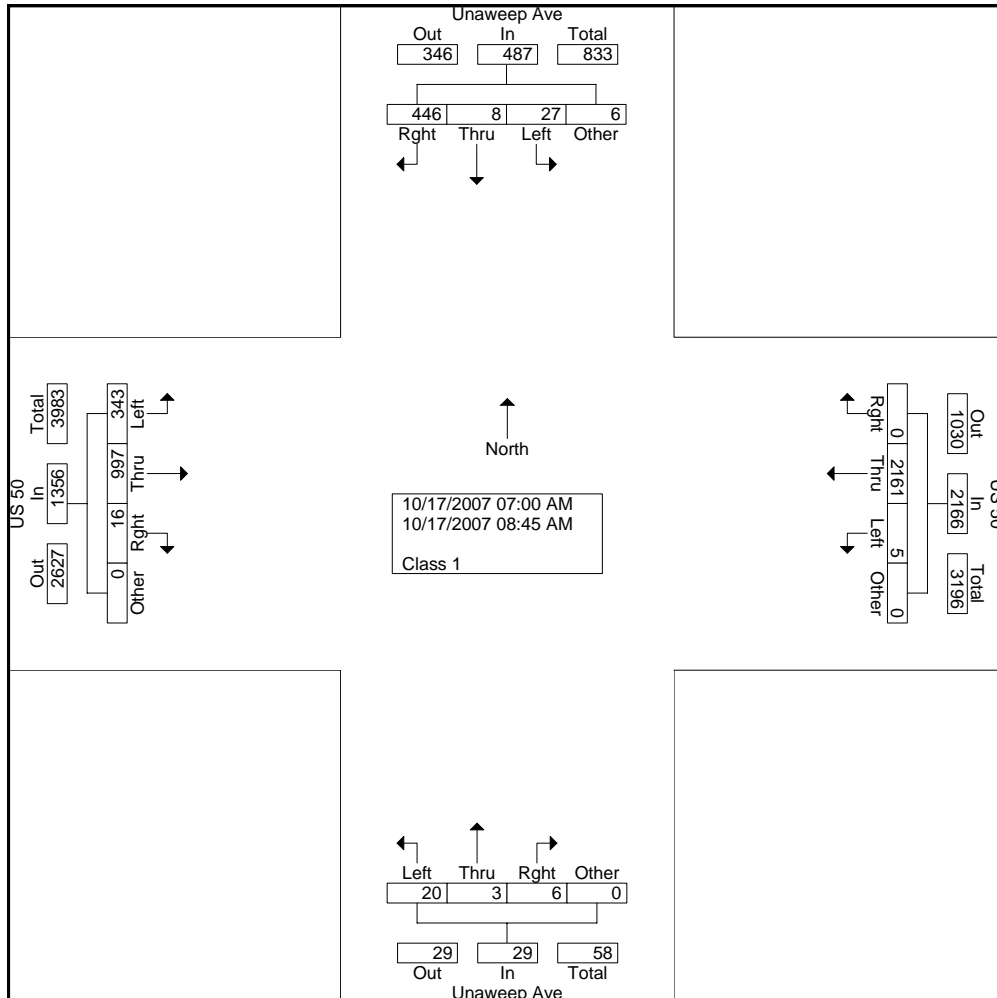


All Traffic Data Services, Inc.
 9660 W. 44th Ave.
 Wheat Ridge, CO 80033

File Name : #4 Unaweep & US 50 AM
 Site Code : 00000000
 Start Date : 10/17/2007
 Page No : 1

Groups Printed- Class 1

Start Time	Unaweep Ave Southbound				US 50 Westbound				Unaweep Ave Northbound				US 50 Eastbound				Int. Total
	Left	Thru	Right	Other	Left	Thru	Right	Other	Left	Thru	Right	Other	Left	Thru	Right	Other	
07:00 AM	2	0	50	0	3	258	0	0	2	1	1	0	45	105	0	0	467
07:15 AM	2	0	49	3	1	327	0	0	0	0	0	0	66	109	1	0	558
07:30 AM	2	1	62	0	0	353	0	0	3	0	0	0	48	126	0	0	595
07:45 AM	3	0	59	2	0	345	0	0	5	0	0	0	42	135	0	0	591
Total	9	1	220	5	4	1283	0	0	10	1	1	0	201	475	1	0	2211
08:00 AM	6	2	51	1	0	219	0	0	2	1	2	0	33	155	5	0	477
08:15 AM	4	0	46	0	1	230	0	0	3	1	2	0	45	127	3	0	462
08:30 AM	5	3	50	0	0	226	0	0	2	0	1	0	33	125	7	0	452
08:45 AM	3	2	79	0	0	203	0	0	3	0	0	0	31	115	0	0	436
Total	18	7	226	1	1	878	0	0	10	2	5	0	142	522	15	0	1827
Grand Total	27	8	446	6	5	2161	0	0	20	3	6	0	343	997	16	0	4038
Apprch %	5.5	1.6	91.6	1.2	0.2	99.8	0	0	69	10.3	20.7	0	25.3	73.5	1.2	0	
Total %	0.7	0.2	11	0.1	0.1	53.5	0	0	0.5	0.1	0.1	0	8.5	24.7	0.4	0	

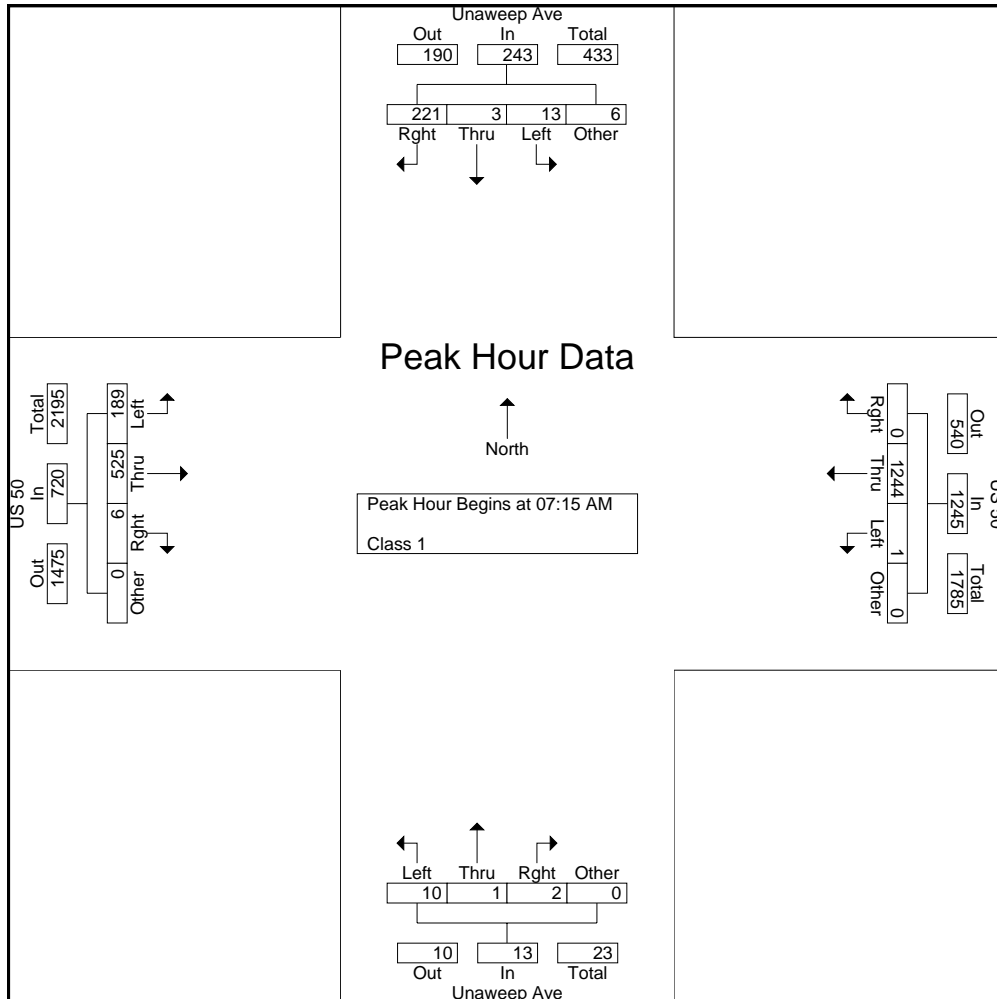




All Traffic Data Services, Inc.
 9660 W. 44th Ave.
 Wheat Ridge, CO 80033

File Name : #4 Unaweep & US 50 AM
 Site Code : 00000000
 Start Date : 10/17/2007
 Page No : 2

Start Time	Unaweep Ave Southbound					US 50 Westbound					Unaweep Ave Northbound					US 50 Eastbound					Int. Total
	Left	Thru	Right	Other	App. Total	Left	Thru	Right	Other	App. Total	Left	Thru	Right	Other	App. Total	Left	Thru	Right	Other	App. Total	
Peak Hour Analysis From 07:00 AM to 08:45 AM - Peak 1 of 1																					
Peak Hour for Entire Intersection Begins at 07:15 AM																					
07:15 AM	2	0	49	3	54	1	327	0	0	328	0	0	0	0	0	66	109	1	0	176	558
07:30 AM	2	1	62	0	65	0	353	0	0	353	3	0	0	0	3	48	126	0	0	174	595
07:45 AM	3	0	59	2	64	0	345	0	0	345	5	0	0	0	5	42	135	0	0	177	591
08:00 AM	6	2	51	1	60	0	219	0	0	219	2	1	2	0	5	33	155	5	0	193	477
Total Volume	13	3	221	6	243	1	1244	0	0	1245	10	1	2	0	13	189	525	6	0	720	2221
% App. Total	5.3	1.2	90.9	2.5		0.1	99.9	0	0		76.9	7.7	15.4	0		26.2	72.9	0.8	0		
PHF	.542	.375	.891	.500	.935	.250	.881	.000	.000	.882	.500	.250	.250	.000	.650	.716	.847	.300	.000	.933	.933



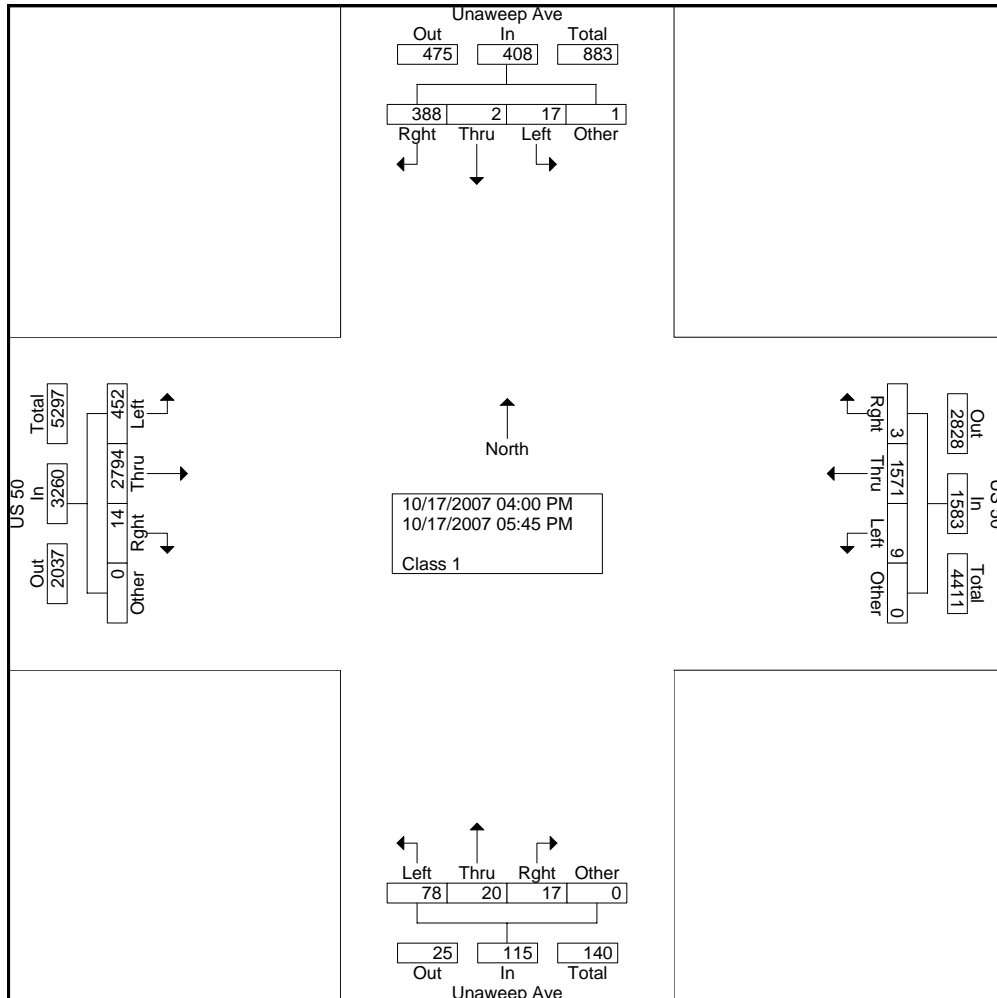


All Traffic Data Services, Inc.
 9660 W. 44th Ave.
 Wheat Ridge, CO 80033

File Name : #4 Unaweep & US 50 PM
 Site Code : 00000000
 Start Date : 10/17/2007
 Page No : 1

Groups Printed- Class 1

Start Time	Unaweep Ave Southbound				US 50 Westbound				Unaweep Ave Northbound				US 50 Eastbound				Int. Total
	Left	Thru	Right	Other	Left	Thru	Right	Other	Left	Thru	Right	Other	Left	Thru	Right	Other	
04:00 PM	1	2	50	1	2	175	1	0	11	1	3	0	43	278	3	0	571
04:15 PM	1	0	53	0	3	190	0	0	9	1	1	0	53	351	2	0	664
04:30 PM	1	0	45	0	1	214	0	0	11	3	1	0	54	321	1	0	652
04:45 PM	6	0	48	0	2	189	2	0	8	4	4	0	51	348	3	0	665
Total	9	2	196	1	8	768	3	0	39	9	9	0	201	1298	9	0	2552
05:00 PM	4	0	44	0	1	196	0	0	9	1	4	0	54	363	0	0	676
05:15 PM	4	0	60	0	0	213	0	0	8	0	3	0	72	387	0	0	747
05:30 PM	0	0	40	0	0	203	0	0	13	8	1	0	67	384	2	0	718
05:45 PM	0	0	48	0	0	191	0	0	9	2	0	0	58	362	3	0	673
Total	8	0	192	0	1	803	0	0	39	11	8	0	251	1496	5	0	2814
Grand Total	17	2	388	1	9	1571	3	0	78	20	17	0	452	2794	14	0	5366
Apprch %	4.2	0.5	95.1	0.2	0.6	99.2	0.2	0	67.8	17.4	14.8	0	13.9	85.7	0.4	0	
Total %	0.3	0	7.2	0	0.2	29.3	0.1	0	1.5	0.4	0.3	0	8.4	52.1	0.3	0	

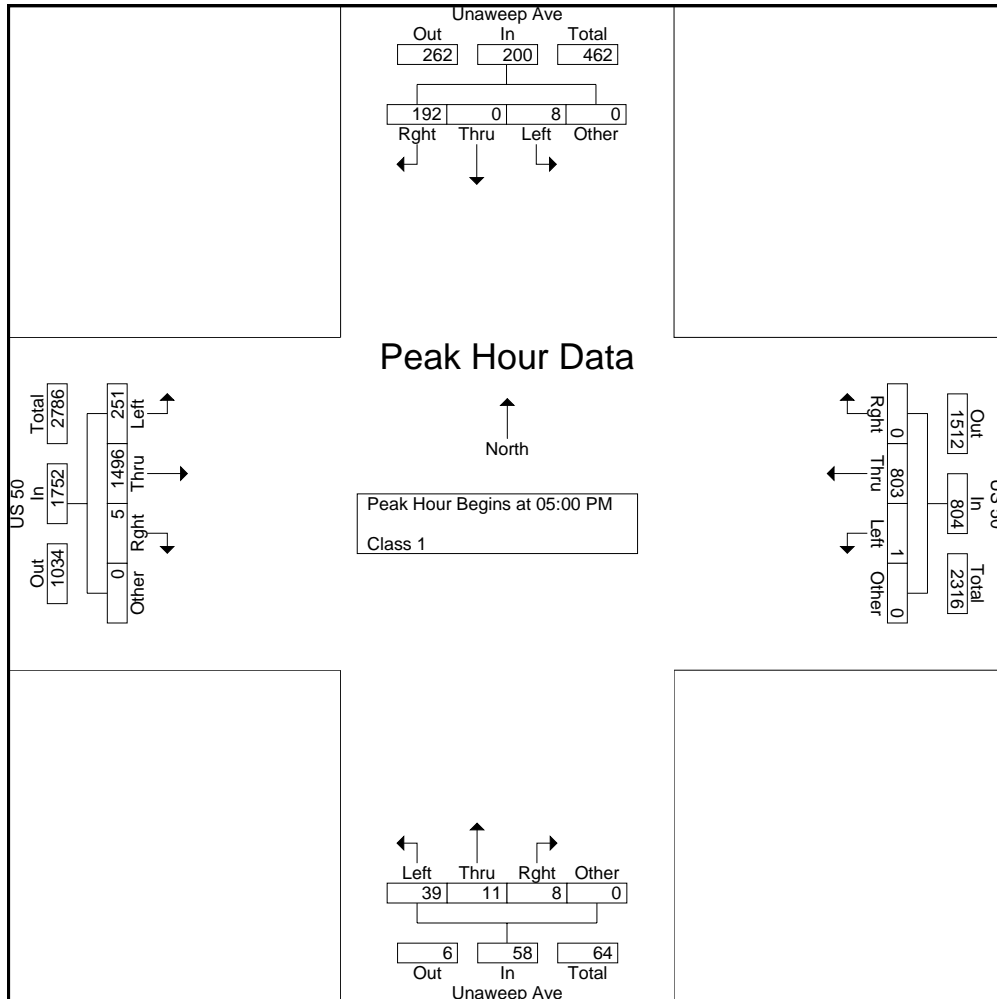




All Traffic Data Services, Inc.
 9660 W. 44th Ave.
 Wheat Ridge, CO 80033

File Name : #4 Unaweep & US 50 PM
 Site Code : 00000000
 Start Date : 10/17/2007
 Page No : 2

Start Time	Unaweep Ave Southbound					US 50 Westbound					Unaweep Ave Northbound					US 50 Eastbound					Int. Total
	Left	Thru	Right	Other	App. Total	Left	Thru	Right	Other	App. Total	Left	Thru	Right	Other	App. Total	Left	Thru	Right	Other	App. Total	
Peak Hour Analysis From 04:00 PM to 05:45 PM - Peak 1 of 1																					
Peak Hour for Entire Intersection Begins at 05:00 PM																					
05:00 PM	4	0	44	0	48	1	196	0	0	197	9	1	4	0	14	54	363	0	0	417	676
05:15 PM	4	0	60	0	64	0	213	0	0	213	8	0	3	0	11	72	387	0	0	459	747
05:30 PM	0	0	40	0	40	0	203	0	0	203	13	8	1	0	22	67	384	2	0	453	718
05:45 PM	0	0	48	0	48	0	191	0	0	191	9	2	0	0	11	58	362	3	0	423	673
Total Volume	8	0	192	0	200	1	803	0	0	804	39	11	8	0	58	251	1496	5	0	1752	2814
% App. Total	4	0	96	0		0.1	99.9	0	0		67.2	19	13.8	0		14.3	85.4	0.3	0		
PHF	.500	.000	.800	.000	.781	.250	.942	.000	.000	.944	.750	.344	.500	.000	.659	.872	.966	.417	.000	.954	.942



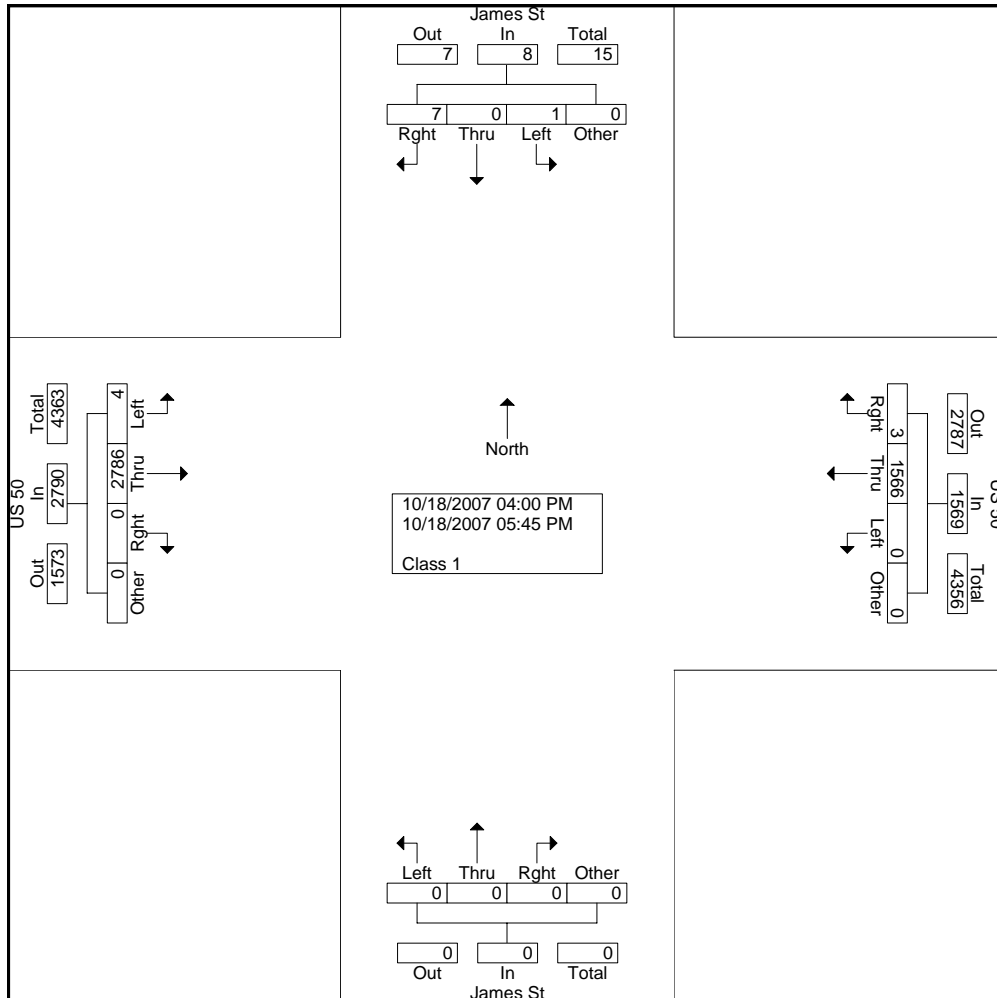


All Traffic Data Services, Inc.
 9660 W. 44th Ave.
 Wheat Ridge, CO 80033

File Name : #5 James & US 50 PM
 Site Code : 00000000
 Start Date : 10/18/2007
 Page No : 1

Groups Printed- Class 1

Start Time	James St Southbound				US 50 Westbound				James St Northbound				US 50 Eastbound				Int. Total
	Left	Thru	Right	Other	Left	Thru	Right	Other	Left	Thru	Right	Other	Left	Thru	Right	Other	
04:00 PM	0	0	2	0	0	179	1	0	0	0	0	0	1	273	0	0	456
04:15 PM	0	0	1	0	0	192	0	0	0	0	0	0	0	334	0	0	527
04:30 PM	0	0	0	0	0	221	1	0	0	0	0	0	1	328	0	0	551
04:45 PM	0	0	0	0	0	180	0	0	0	0	0	0	2	349	0	0	531
Total	0	0	3	0	0	772	2	0	0	0	0	0	4	1284	0	0	2065
05:00 PM	1	0	0	0	0	190	0	0	0	0	0	0	0	382	0	0	573
05:15 PM	0	0	1	0	0	202	1	0	0	0	0	0	0	390	0	0	594
05:30 PM	0	0	2	0	0	208	0	0	0	0	0	0	0	379	0	0	589
05:45 PM	0	0	1	0	0	194	0	0	0	0	0	0	0	351	0	0	546
Total	1	0	4	0	0	794	1	0	0	0	0	0	0	1502	0	0	2302
Grand Total	1	0	7	0	0	1566	3	0	0	0	0	0	4	2786	0	0	4367
Apprch %	12.5	0	87.5	0	0	99.8	0.2	0	0	0	0	0	0.1	99.9	0	0	
Total %	0	0	0.2	0	0	35.9	0.1	0	0	0	0	0	0.1	63.8	0	0	

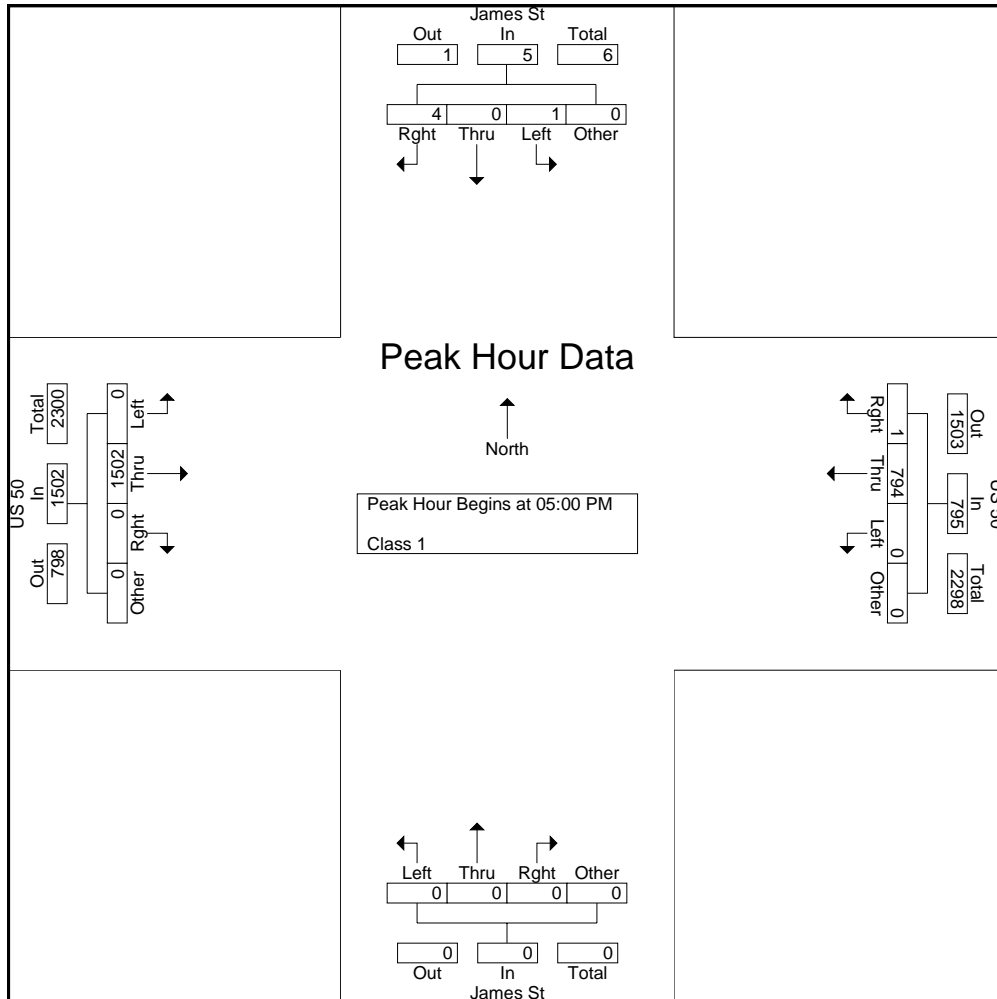




All Traffic Data Services, Inc.
 9660 W. 44th Ave.
 Wheat Ridge, CO 80033

File Name : #5 James & US 50 PM
 Site Code : 00000000
 Start Date : 10/18/2007
 Page No : 2

Start Time	James St Southbound					US 50 Westbound					James St Northbound					US 50 Eastbound					Int. Total
	Left	Thru	Right	Other	App. Total	Left	Thru	Right	Other	App. Total	Left	Thru	Right	Other	App. Total	Left	Thru	Right	Other	App. Total	
Peak Hour Analysis From 04:00 PM to 05:45 PM - Peak 1 of 1																					
Peak Hour for Entire Intersection Begins at 05:00 PM																					
05:00 PM	1	0	0	0	1	0	190	0	0	190	0	0	0	0	0	0	382	0	0	382	573
05:15 PM	0	0	1	0	1	0	202	1	0	203	0	0	0	0	0	0	390	0	0	390	594
05:30 PM	0	0	2	0	2	0	208	0	0	208	0	0	0	0	0	0	379	0	0	379	589
05:45 PM	0	0	1	0	1	0	194	0	0	194	0	0	0	0	0	0	351	0	0	351	546
Total Volume	1	0	4	0	5	0	794	1	0	795	0	0	0	0	0	0	1502	0	0	1502	2302
% App. Total	20	0	80	0		0	99.9	0.1	0		0	0	0	0		0	100	0	0		
PHF	.250	.000	.500	.000	.625	.000	.954	.250	.000	.956	.000	.000	.000	.000	.000	.000	.963	.000	.000	.963	.969



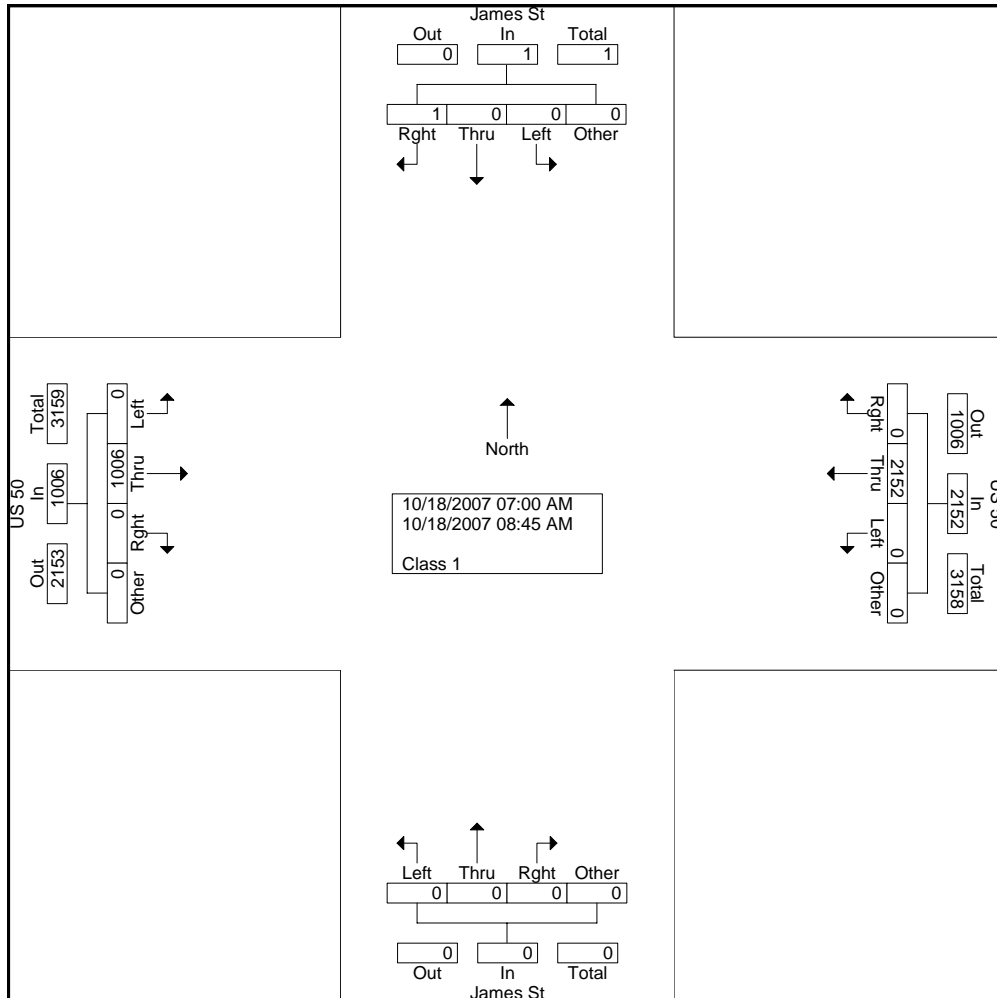


All Traffic Data Services, Inc.
 9660 W. 44th Ave.
 Wheat Ridge, CO 80033

File Name : #5 James & US 50 AM
 Site Code : 00000000
 Start Date : 10/18/2007
 Page No : 1

Groups Printed- Class 1

Start Time	James St Southbound				US 50 Westbound				James St Northbound				US 50 Eastbound				Int. Total
	Left	Thru	Right	Other	Left	Thru	Right	Other	Left	Thru	Right	Other	Left	Thru	Right	Other	
07:00 AM	0	0	0	0	0	246	0	0	0	0	0	0	0	102	0	0	348
07:15 AM	0	0	0	0	0	322	0	0	0	0	0	0	0	113	0	0	435
07:30 AM	0	0	0	0	0	364	0	0	0	0	0	0	0	129	0	0	493
07:45 AM	0	0	0	0	0	343	0	0	0	0	0	0	0	132	0	0	475
Total	0	0	0	0	0	1275	0	0	0	0	0	0	0	476	0	0	1751
08:00 AM	0	0	0	0	0	224	0	0	0	0	0	0	0	158	0	0	382
08:15 AM	0	0	1	0	0	216	0	0	0	0	0	0	0	124	0	0	341
08:30 AM	0	0	0	0	0	236	0	0	0	0	0	0	0	128	0	0	364
08:45 AM	0	0	0	0	0	201	0	0	0	0	0	0	0	120	0	0	321
Total	0	0	1	0	0	877	0	0	0	0	0	0	0	530	0	0	1408
Grand Total	0	0	1	0	0	2152	0	0	0	0	0	0	0	1006	0	0	3159
Apprch %	0	0	100	0	0	100	0	0	0	0	0	0	0	100	0	0	
Total %	0	0	0	0	0	68.1	0	0	0	0	0	0	0	31.8	0	0	

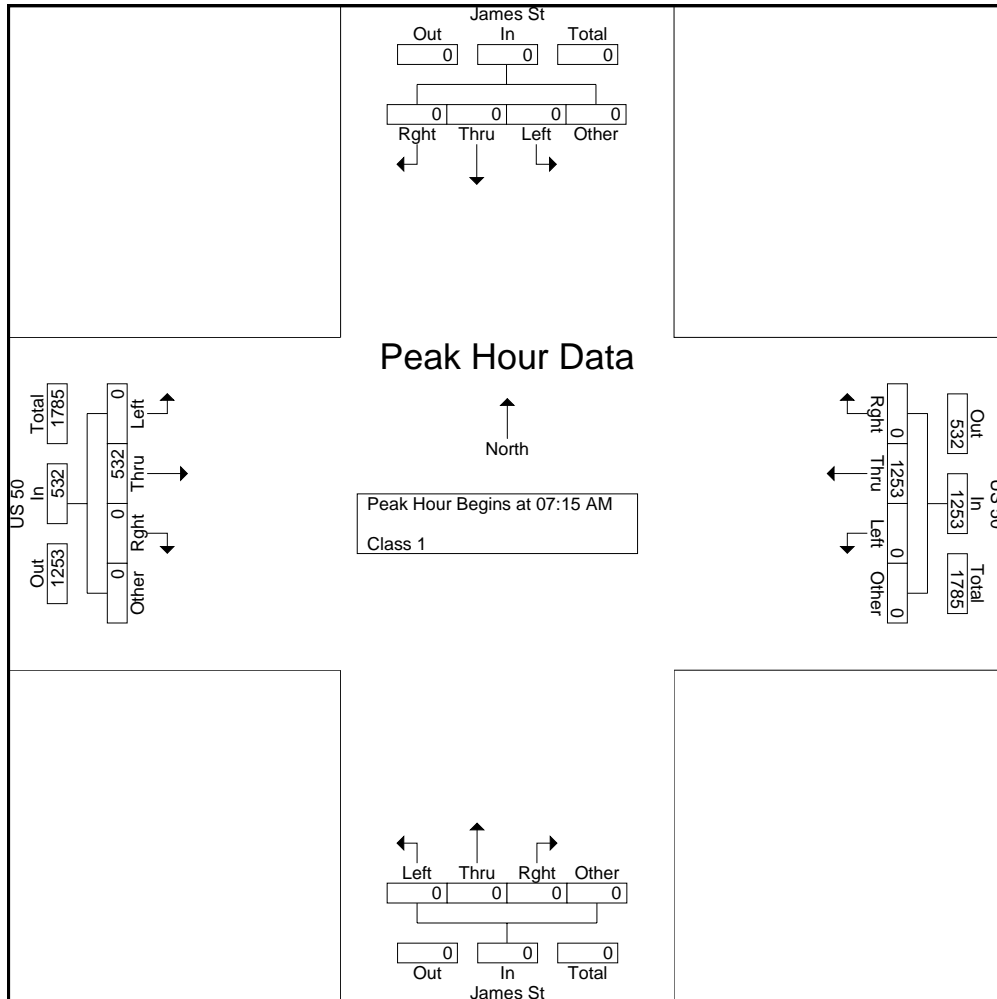




All Traffic Data Services, Inc.
 9660 W. 44th Ave.
 Wheat Ridge, CO 80033

File Name : #5 James & US 50 AM
 Site Code : 00000000
 Start Date : 10/18/2007
 Page No : 2

Start Time	James St Southbound					US 50 Westbound					James St Northbound					US 50 Eastbound					Int. Total
	Left	Thru	Right	Other	App. Total	Left	Thru	Right	Other	App. Total	Left	Thru	Right	Other	App. Total	Left	Thru	Right	Other	App. Total	
Peak Hour Analysis From 07:00 AM to 08:45 AM - Peak 1 of 1																					
Peak Hour for Entire Intersection Begins at 07:15 AM																					
07:15 AM	0	0	0	0	0	0	322	0	0	322	0	0	0	0	0	0	113	0	0	113	435
07:30 AM	0	0	0	0	0	0	364	0	0	364	0	0	0	0	0	0	129	0	0	129	493
07:45 AM	0	0	0	0	0	0	343	0	0	343	0	0	0	0	0	0	132	0	0	132	475
08:00 AM	0	0	0	0	0	0	224	0	0	224	0	0	0	0	0	0	158	0	0	158	382
Total Volume	0	0	0	0	0	0	1253	0	0	1253	0	0	0	0	0	0	532	0	0	532	1785
% App. Total	0	0	0	0	0	0	100	0	0	100	0	0	0	0	0	0	100	0	0	100	
PHF	.000	.000	.000	.000	.000	.000	.861	.000	.000	.861	.000	.000	.000	.000	.000	.000	.842	.000	.000	.842	.905



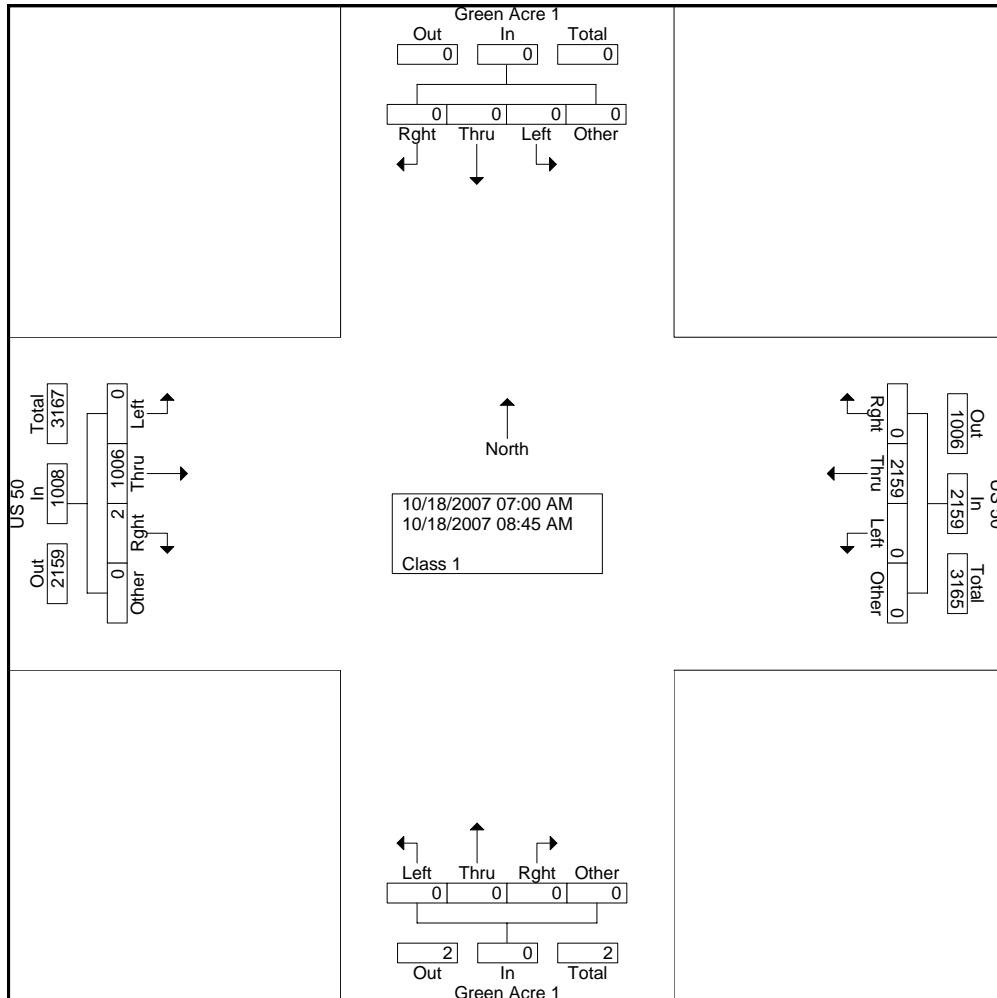


All Traffic Data Services, Inc.
 9660 W. 44th Ave.
 Wheat Ridge, CO 80033

File Name : #6 Green Acre 1 & US 50 AM
 Site Code : 00000000
 Start Date : 10/18/2007
 Page No : 1

Groups Printed- Class 1

Start Time	Green Acre 1 Southbound				US 50 Westbound				Green Acre 1 Northbound				US 50 Eastbound				Int. Total
	Left	Thru	Right	Other	Left	Thru	Right	Other	Left	Thru	Right	Other	Left	Thru	Right	Other	
07:00 AM	0	0	0	0	0	255	0	0	0	0	0	0	0	105	1	0	361
07:15 AM	0	0	0	0	0	328	0	0	0	0	0	0	0	115	0	0	443
07:30 AM	0	0	0	0	0	367	0	0	0	0	0	0	0	130	0	0	497
07:45 AM	0	0	0	0	0	321	0	0	0	0	0	0	0	128	0	0	449
Total	0	0	0	0	0	1271	0	0	0	0	0	0	0	478	1	0	1750
08:00 AM	0	0	0	0	0	236	0	0	0	0	0	0	0	157	0	0	393
08:15 AM	0	0	0	0	0	214	0	0	0	0	0	0	0	128	0	0	342
08:30 AM	0	0	0	0	0	243	0	0	0	0	0	0	0	121	0	0	364
08:45 AM	0	0	0	0	0	195	0	0	0	0	0	0	0	122	1	0	318
Total	0	0	0	0	0	888	0	0	0	0	0	0	0	528	1	0	1417
Grand Total	0	0	0	0	0	2159	0	0	0	0	0	0	0	1006	2	0	3167
Apprch %	0	0	0	0	0	100	0	0	0	0	0	0	0	99.8	0.2	0	
Total %	0	0	0	0	0	68.2	0	0	0	0	0	0	0	31.8	0.1	0	

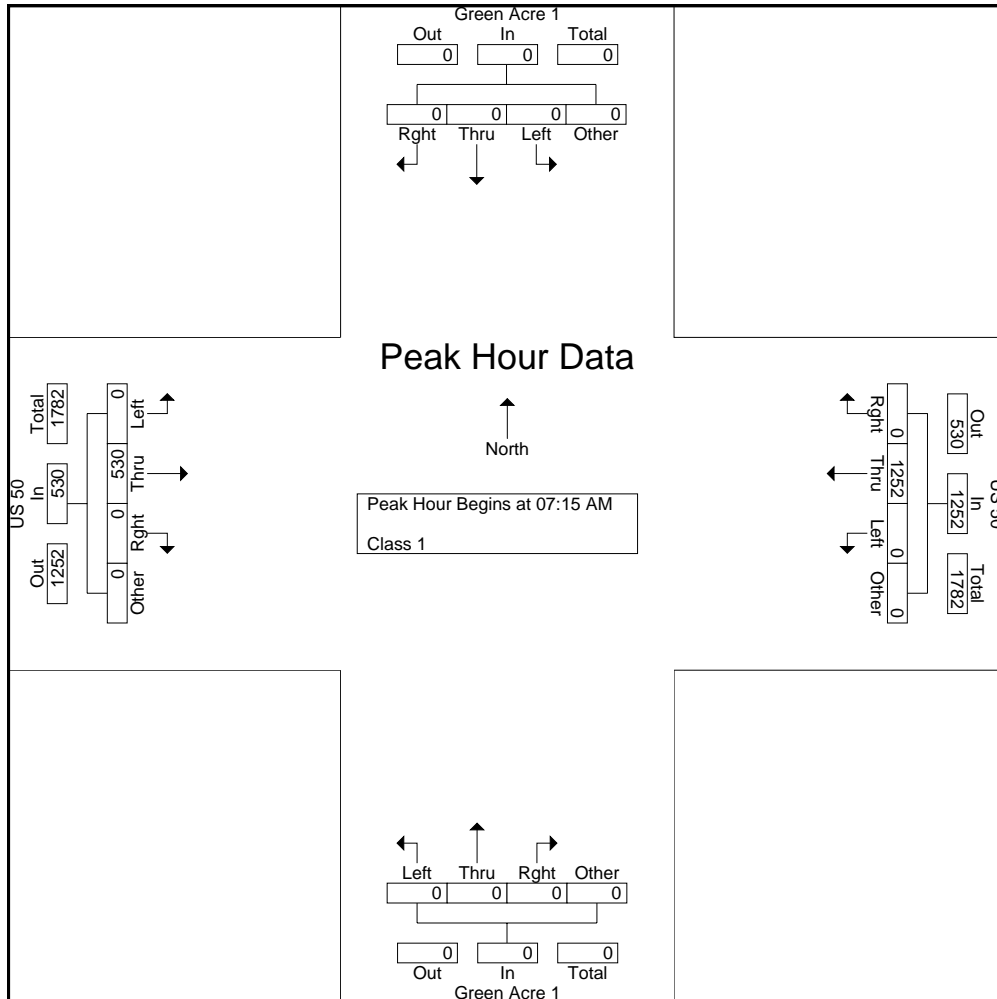




All Traffic Data Services, Inc.
 9660 W. 44th Ave.
 Wheat Ridge, CO 80033

File Name : #6 Green Acre 1 & US 50 AM
 Site Code : 00000000
 Start Date : 10/18/2007
 Page No : 2

Start Time	Green Acre 1 Southbound					US 50 Westbound					Green Acre 1 Northbound					US 50 Eastbound					Int. Total
	Left	Thru	Right	Other	App. Total	Left	Thru	Right	Other	App. Total	Left	Thru	Right	Other	App. Total	Left	Thru	Right	Other	App. Total	
Peak Hour Analysis From 07:00 AM to 08:45 AM - Peak 1 of 1																					
Peak Hour for Entire Intersection Begins at 07:15 AM																					
07:15 AM	0	0	0	0	0	0	328	0	0	328	0	0	0	0	0	0	115	0	0	115	443
07:30 AM	0	0	0	0	0	0	367	0	0	367	0	0	0	0	0	0	130	0	0	130	497
07:45 AM	0	0	0	0	0	0	321	0	0	321	0	0	0	0	0	0	128	0	0	128	449
08:00 AM	0	0	0	0	0	0	236	0	0	236	0	0	0	0	0	0	157	0	0	157	393
Total Volume	0	0	0	0	0	0	1252	0	0	1252	0	0	0	0	0	0	530	0	0	530	1782
% App. Total	0	0	0	0	0	0	100	0	0	100	0	0	0	0	0	0	100	0	0	100	
PHF	.000	.000	.000	.000	.000	.000	.853	.000	.000	.853	.000	.000	.000	.000	.000	.000	.844	.000	.000	.844	.896



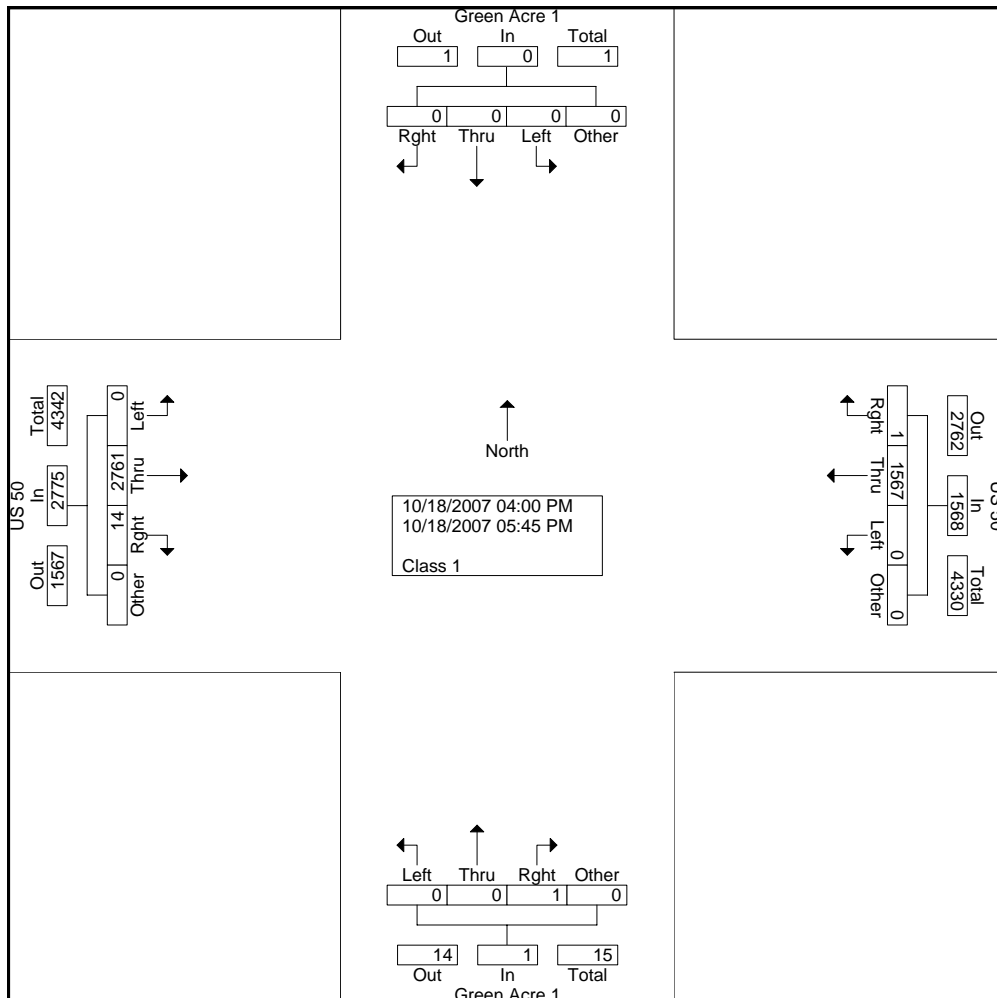


All Traffic Data Services, Inc.
 9660 W. 44th Ave.
 Wheat Ridge, CO 80033

File Name : #6 Green Acre 1 & US 50 PM
 Site Code : 00000000
 Start Date : 10/18/2007
 Page No : 1

Groups Printed- Class 1

Start Time	Green Acre 1 Southbound				US 50 Westbound				Green Acre 1 Northbound				US 50 Eastbound				Int. Total
	Left	Thru	Right	Other	Left	Thru	Right	Other	Left	Thru	Right	Other	Left	Thru	Right	Other	
04:00 PM	0	0	0	0	0	181	0	0	0	0	0	0	0	276	1	0	458
04:15 PM	0	0	0	0	0	194	1	0	0	0	0	0	0	322	2	0	519
04:30 PM	0	0	0	0	0	229	0	0	0	0	0	0	0	319	0	0	548
04:45 PM	0	0	0	0	0	170	0	0	0	0	0	0	0	337	1	0	508
Total	0	0	0	0	0	774	1	0	0	0	0	0	0	1254	4	0	2033
05:00 PM	0	0	0	0	0	189	0	0	0	0	1	0	0	389	0	0	579
05:15 PM	0	0	0	0	0	205	0	0	0	0	0	0	0	391	2	0	598
05:30 PM	0	0	0	0	0	208	0	0	0	0	0	0	0	386	6	0	600
05:45 PM	0	0	0	0	0	191	0	0	0	0	0	0	0	341	2	0	534
Total	0	0	0	0	0	793	0	0	0	0	1	0	0	1507	10	0	2311
Grand Total	0	0	0	0	0	1567	1	0	0	0	1	0	0	2761	14	0	4344
Apprch %	0	0	0	0	0	99.9	0.1	0	0	0	100	0	0	99.5	0.5	0	
Total %	0	0	0	0	0	36.1	0	0	0	0	0	0	0	63.6	0.3	0	

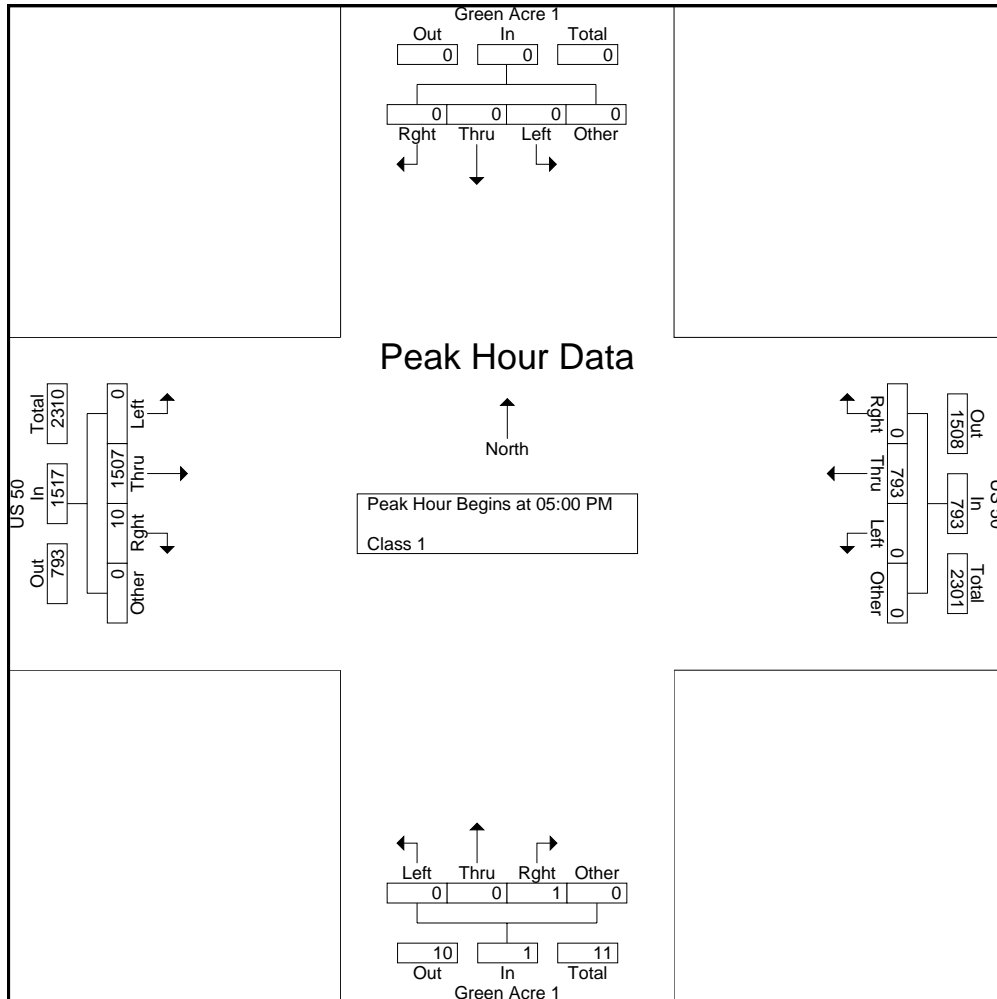




All Traffic Data Services, Inc.
 9660 W. 44th Ave.
 Wheat Ridge, CO 80033

File Name : #6 Green Acre 1 & US 50 PM
 Site Code : 00000000
 Start Date : 10/18/2007
 Page No : 2

Start Time	Green Acre 1 Southbound					US 50 Westbound					Green Acre 1 Northbound					US 50 Eastbound					Int. Total
	Left	Thru	Right	Other	App. Total	Left	Thru	Right	Other	App. Total	Left	Thru	Right	Other	App. Total	Left	Thru	Right	Other	App. Total	
Peak Hour Analysis From 04:00 PM to 05:45 PM - Peak 1 of 1																					
Peak Hour for Entire Intersection Begins at 05:00 PM																					
05:00 PM	0	0	0	0	0	0	189	0	0	189	0	0	1	0	1	0	389	0	0	389	579
05:15 PM	0	0	0	0	0	0	205	0	0	205	0	0	0	0	0	0	391	2	0	393	598
05:30 PM	0	0	0	0	0	0	208	0	0	208	0	0	0	0	0	0	386	6	0	392	600
05:45 PM	0	0	0	0	0	0	191	0	0	191	0	0	0	0	0	0	341	2	0	343	534
Total Volume	0	0	0	0	0	0	793	0	0	793	0	0	1	0	1	0	1507	10	0	1517	2311
% App. Total	0	0	0	0	0	0	100	0	0	100	0	0	100	0	100	0	99.3	0.7	0	100	
PHF	.000	.000	.000	.000	.000	.000	.953	.000	.000	.953	.000	.000	.250	.000	.250	.000	.964	.417	.000	.965	.963



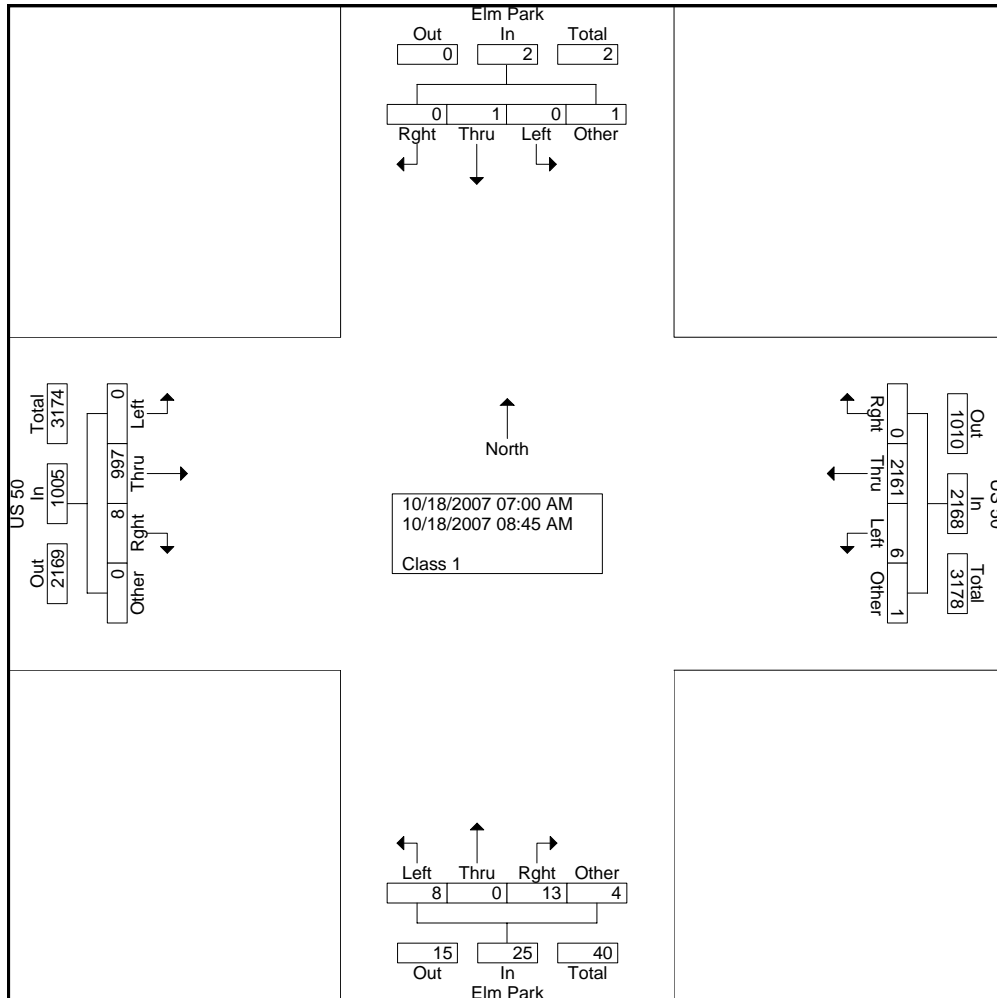


All Traffic Data Services, Inc.
 9660 W. 44th Ave.
 Wheat Ridge, CO 80033

File Name : #7 Elm Park & US 50 AM
 Site Code : 00000000
 Start Date : 10/18/2007
 Page No : 1

Groups Printed- Class 1

Start Time	Elm Park Southbound				US 50 Westbound				Elm Park Northbound				US 50 Eastbound				Int. Total
	Left	Thru	Rght	Other	Left	Thru	Rght	Other	Left	Thru	Rght	Other	Left	Thru	Rght	Other	
07:00 AM	0	1	0	0	1	257	0	0	1	0	2	0	0	106	1	0	369
07:15 AM	0	0	0	0	3	339	0	0	4	0	2	0	0	112	0	0	460
07:30 AM	0	0	0	0	1	365	0	0	1	0	0	0	0	132	1	0	500
07:45 AM	0	0	0	0	0	328	0	0	0	0	2	0	0	124	2	0	456
Total	0	1	0	0	5	1289	0	0	6	0	6	0	0	474	4	0	1785
08:00 AM	0	0	0	1	1	231	0	0	1	0	2	1	0	154	1	0	392
08:15 AM	0	0	0	0	0	212	0	1	1	0	1	0	0	127	2	0	344
08:30 AM	0	0	0	0	0	234	0	0	0	0	3	1	0	118	0	0	356
08:45 AM	0	0	0	0	0	195	0	0	0	0	1	2	0	124	1	0	323
Total	0	0	0	1	1	872	0	1	2	0	7	4	0	523	4	0	1415
Grand Total	0	1	0	1	6	2161	0	1	8	0	13	4	0	997	8	0	3200
Apprch %	0	50	0	50	0.3	99.7	0	0	32	0	52	16	0	99.2	0.8	0	
Total %	0	0	0	0	0.2	67.5	0	0	0.2	0	0.4	0.1	0	31.2	0.2	0	

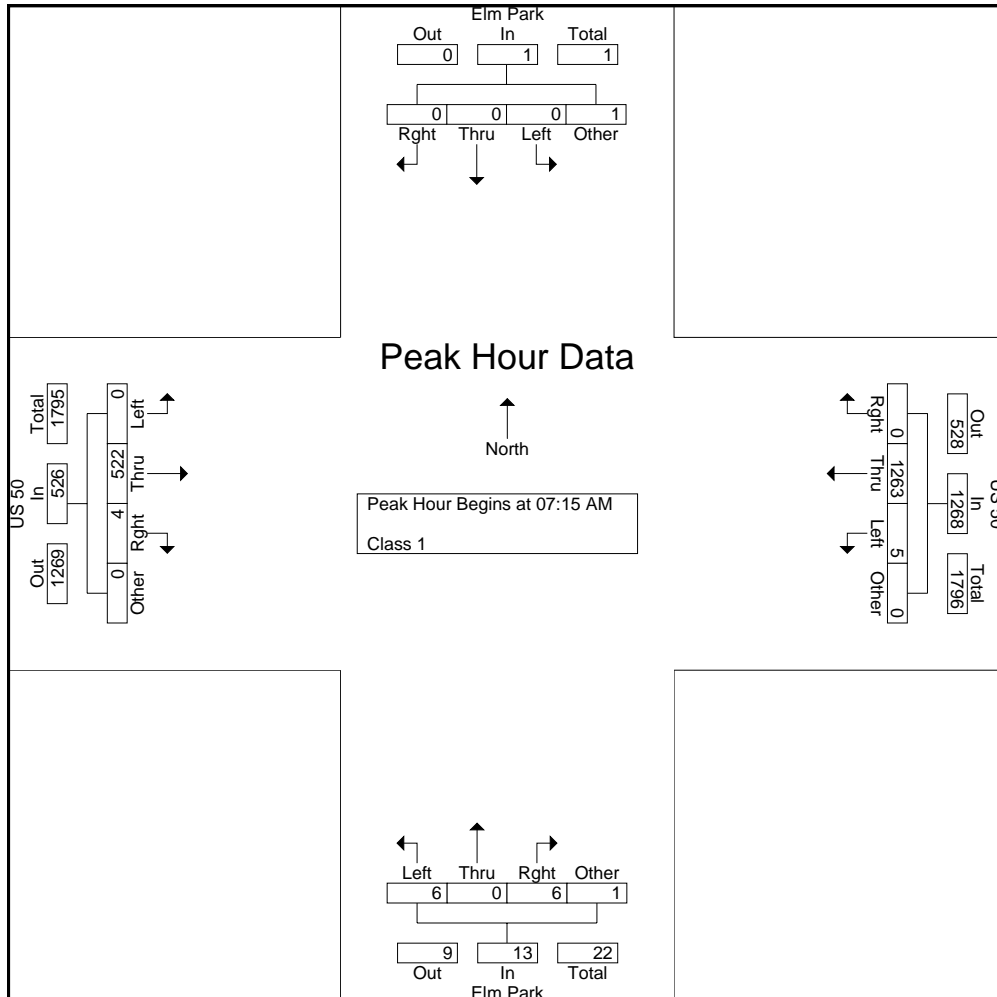




All Traffic Data Services, Inc.
 9660 W. 44th Ave.
 Wheat Ridge, CO 80033

File Name : #7 Elm Park & US 50 AM
 Site Code : 00000000
 Start Date : 10/18/2007
 Page No : 2

Start Time	Elm Park Southbound					US 50 Westbound					Elm Park Northbound					US 50 Eastbound					Int. Total
	Left	Thru	Right	Other	App. Total	Left	Thru	Right	Other	App. Total	Left	Thru	Right	Other	App. Total	Left	Thru	Right	Other	App. Total	
Peak Hour Analysis From 07:00 AM to 08:45 AM - Peak 1 of 1																					
Peak Hour for Entire Intersection Begins at 07:15 AM																					
07:15 AM	0	0	0	0	0	3	339	0	0	342	4	0	2	0	6	0	112	0	0	112	460
07:30 AM	0	0	0	0	0	1	365	0	0	366	1	0	0	0	1	0	132	1	0	133	500
07:45 AM	0	0	0	0	0	0	328	0	0	328	0	0	2	0	2	0	124	2	0	126	456
08:00 AM	0	0	0	1	1	1	231	0	0	232	1	0	2	1	4	0	154	1	0	155	392
Total Volume	0	0	0	1	1	5	1263	0	0	1268	6	0	6	1	13	0	522	4	0	526	1808
% App. Total	0	0	0	100		0.4	99.6	0	0		46.2	0	46.2	7.7		0	99.2	0.8	0		
PHF	.000	.000	.000	.250	.250	.417	.865	.000	.000	.866	.375	.000	.750	.250	.542	.000	.847	.500	.000	.848	.904



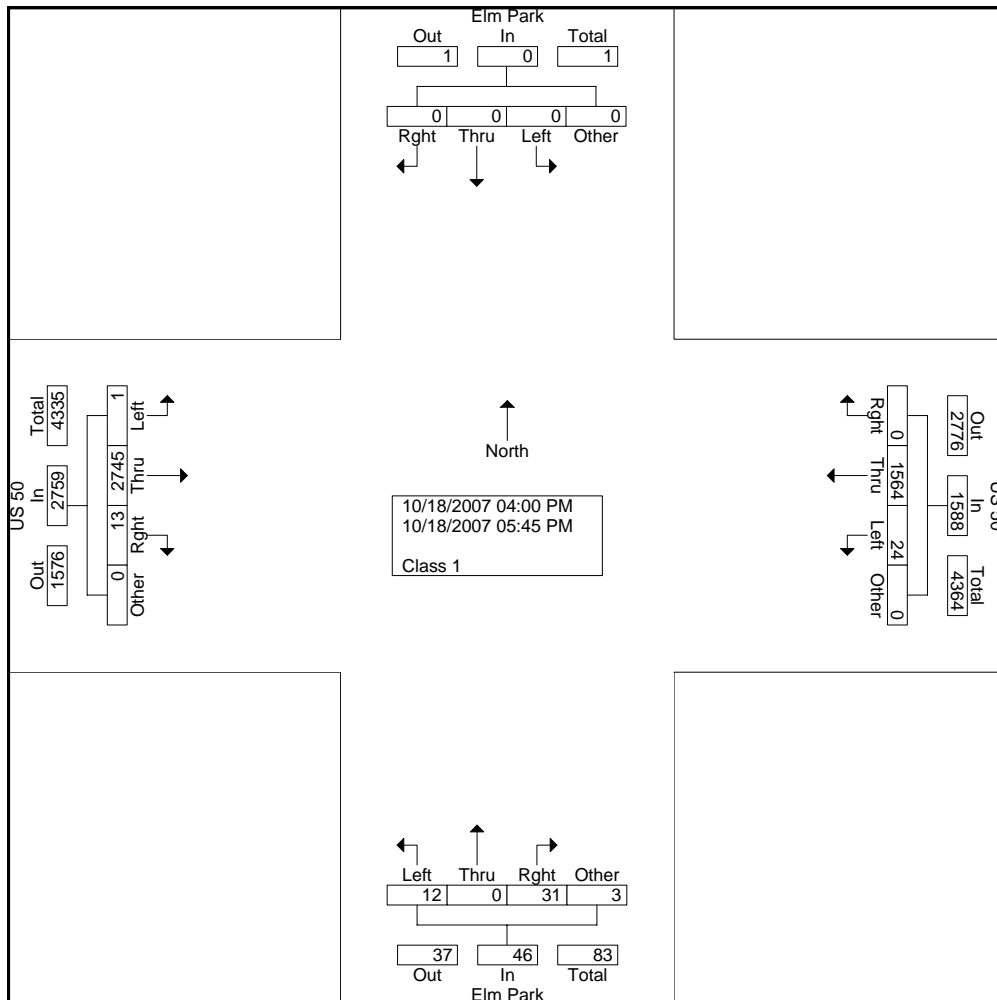


All Traffic Data Services, Inc.
 9660 W. 44th Ave.
 Wheat Ridge, CO 80033

File Name : #7 Elm Park & US 50 PM
 Site Code : 00000000
 Start Date : 10/18/2007
 Page No : 1

Groups Printed- Class 1

Start Time	Elm Park Southbound				US 50 Westbound				Elm Park Northbound				US 50 Eastbound				Int. Total
	Left	Thru	Right	Other	Left	Thru	Right	Other	Left	Thru	Right	Other	Left	Thru	Right	Other	
04:00 PM	0	0	0	0	5	187	0	0	1	0	2	0	1	261	0	0	457
04:15 PM	0	0	0	0	2	189	0	0	2	0	3	1	0	307	0	0	504
04:30 PM	0	0	0	0	2	224	0	0	2	0	6	0	0	321	2	0	557
04:45 PM	0	0	0	0	2	170	0	0	2	0	4	0	0	348	1	0	527
Total	0	0	0	0	11	770	0	0	7	0	15	1	1	1237	3	0	2045
05:00 PM	0	0	0	0	6	192	0	0	2	0	4	1	0	394	3	0	602
05:15 PM	0	0	0	0	3	203	0	0	0	0	6	1	0	401	2	0	616
05:30 PM	0	0	0	0	2	201	0	0	1	0	3	0	0	379	4	0	590
05:45 PM	0	0	0	0	2	198	0	0	2	0	3	0	0	334	1	0	540
Total	0	0	0	0	13	794	0	0	5	0	16	2	0	1508	10	0	2348
Grand Total	0	0	0	0	24	1564	0	0	12	0	31	3	1	2745	13	0	4393
Apprch %	0	0	0	0	1.5	98.5	0	0	26.1	0	67.4	6.5	0	99.5	0.5	0	
Total %	0	0	0	0	0.5	35.6	0	0	0.3	0	0.7	0.1	0	62.5	0.3	0	

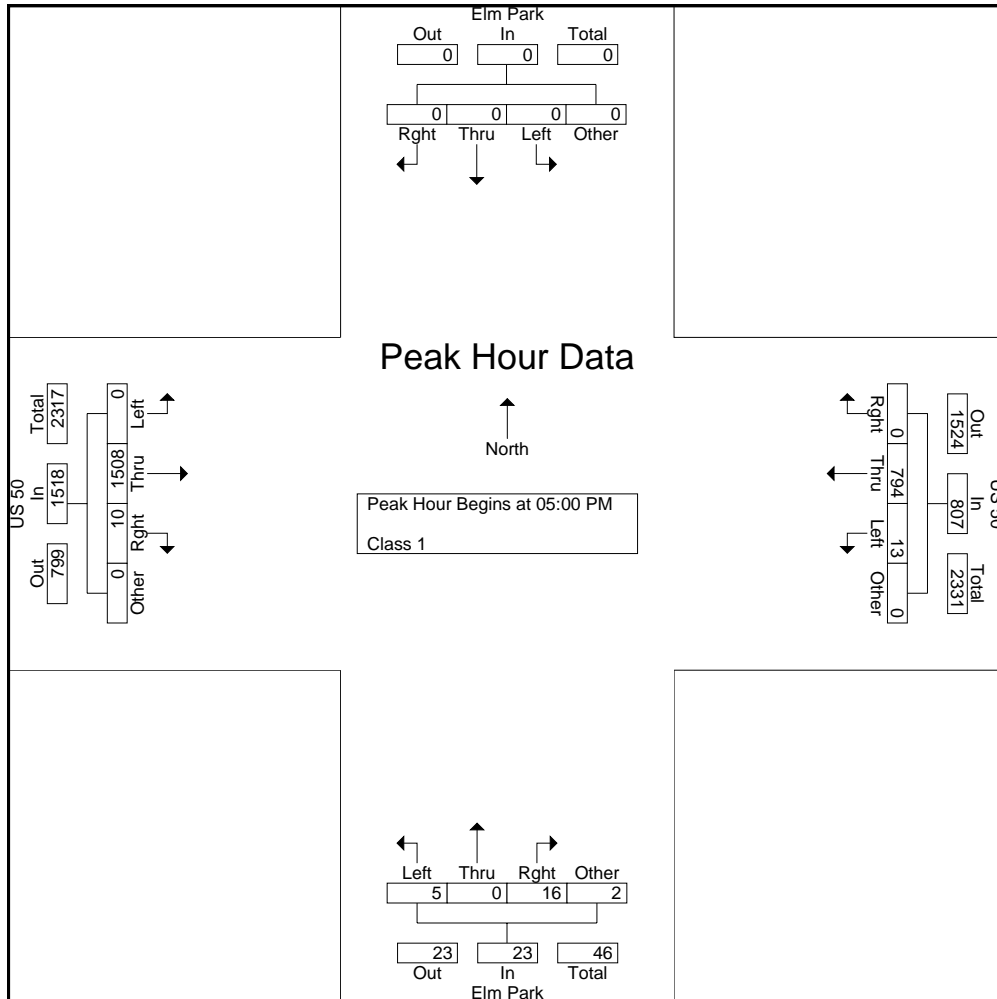




All Traffic Data Services, Inc.
 9660 W. 44th Ave.
 Wheat Ridge, CO 80033

File Name : #7 Elm Park & US 50 PM
 Site Code : 00000000
 Start Date : 10/18/2007
 Page No : 2

Start Time	Elm Park Southbound					US 50 Westbound					Elm Park Northbound					US 50 Eastbound					Int. Total
	Left	Thru	Right	Other	App. Total	Left	Thru	Right	Other	App. Total	Left	Thru	Right	Other	App. Total	Left	Thru	Right	Other	App. Total	
Peak Hour Analysis From 04:00 PM to 05:45 PM - Peak 1 of 1																					
Peak Hour for Entire Intersection Begins at 05:00 PM																					
05:00 PM	0	0	0	0	0	6	192	0	0	198	2	0	4	1	7	0	394	3	0	397	602
05:15 PM	0	0	0	0	0	3	203	0	0	206	0	0	6	1	7	0	401	2	0	403	616
05:30 PM	0	0	0	0	0	2	201	0	0	203	1	0	3	0	4	0	379	4	0	383	590
05:45 PM	0	0	0	0	0	2	198	0	0	200	2	0	3	0	5	0	334	1	0	335	540
Total Volume	0	0	0	0	0	13	794	0	0	807	5	0	16	2	23	0	1508	10	0	1518	2348
% App. Total	0	0	0	0	0	1.6	98.4	0	0		21.7	0	69.6	8.7		0	99.3	0.7	0		
PHF	.000	.000	.000	.000	.000	.542	.978	.000	.000	.979	.625	.000	.667	.500	.821	.000	.940	.625	.000	.942	.953



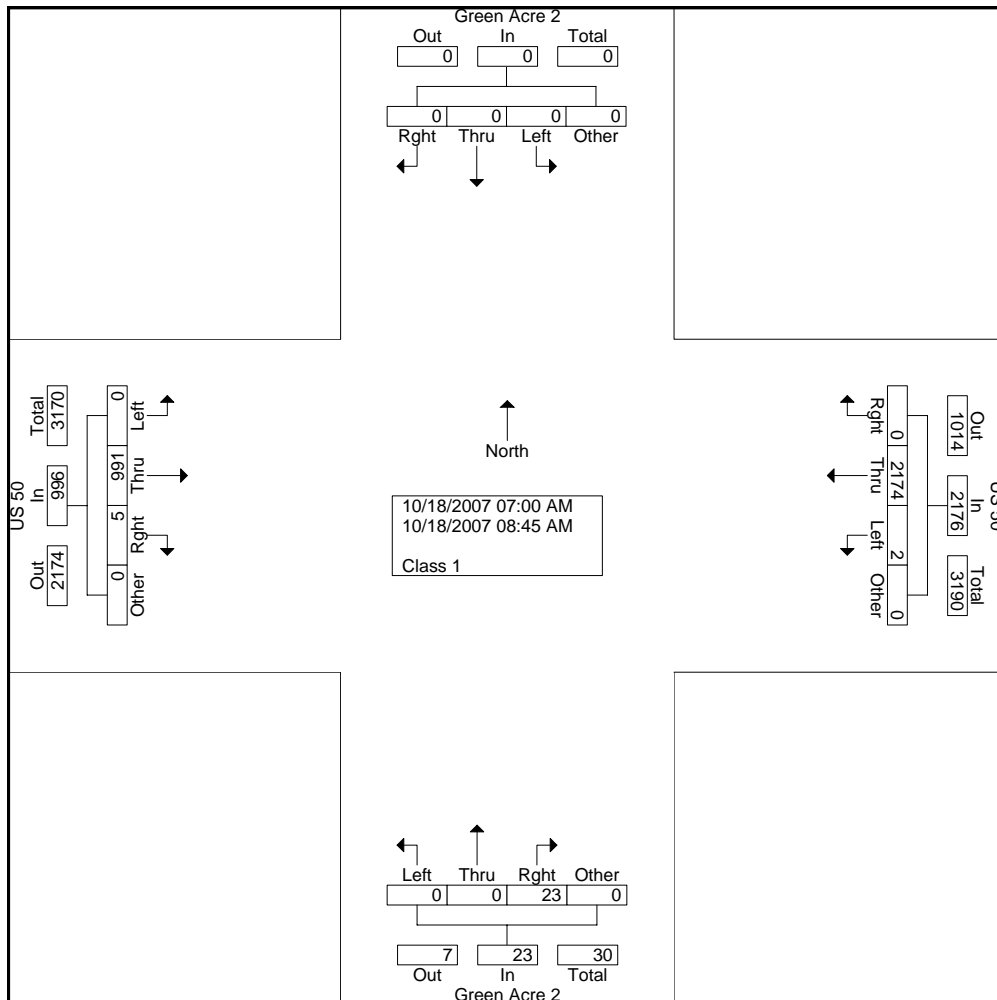


All Traffic Data Services, Inc.
 9660 W. 44th Ave.
 Wheat Ridge, CO 80033

File Name : #8 Green Acre 2 & US 50 AM
 Site Code : 00000000
 Start Date : 10/18/2007
 Page No : 1

Groups Printed- Class 1

Start Time	Green Acre 2 Southbound				US 50 Westbound				Green Acre 2 Northbound				US 50 Eastbound				Int. Total
	Left	Thru	Right	Other	Left	Thru	Right	Other	Left	Thru	Right	Other	Left	Thru	Right	Other	
07:00 AM	0	0	0	0	1	258	0	0	0	0	6	0	0	104	1	0	370
07:15 AM	0	0	0	0	0	335	0	0	0	0	1	0	0	110	0	0	446
07:30 AM	0	0	0	0	0	370	0	0	0	0	3	0	0	130	1	0	504
07:45 AM	0	0	0	0	0	331	0	0	0	0	3	0	0	128	0	0	462
Total	0	0	0	0	1	1294	0	0	0	0	13	0	0	472	2	0	1782
08:00 AM	0	0	0	0	0	228	0	0	0	0	2	0	0	151	0	0	381
08:15 AM	0	0	0	0	0	210	0	0	0	0	5	0	0	130	1	0	346
08:30 AM	0	0	0	0	0	248	0	0	0	0	1	0	0	124	1	0	374
08:45 AM	0	0	0	0	1	194	0	0	0	0	2	0	0	114	1	0	312
Total	0	0	0	0	1	880	0	0	0	0	10	0	0	519	3	0	1413
Grand Total	0	0	0	0	2	2174	0	0	0	0	23	0	0	991	5	0	3195
Apprch %	0	0	0	0	0.1	99.9	0	0	0	0	100	0	0	99.5	0.5	0	
Total %	0	0	0	0	0.1	68	0	0	0	0	0.7	0	0	31	0.2	0	

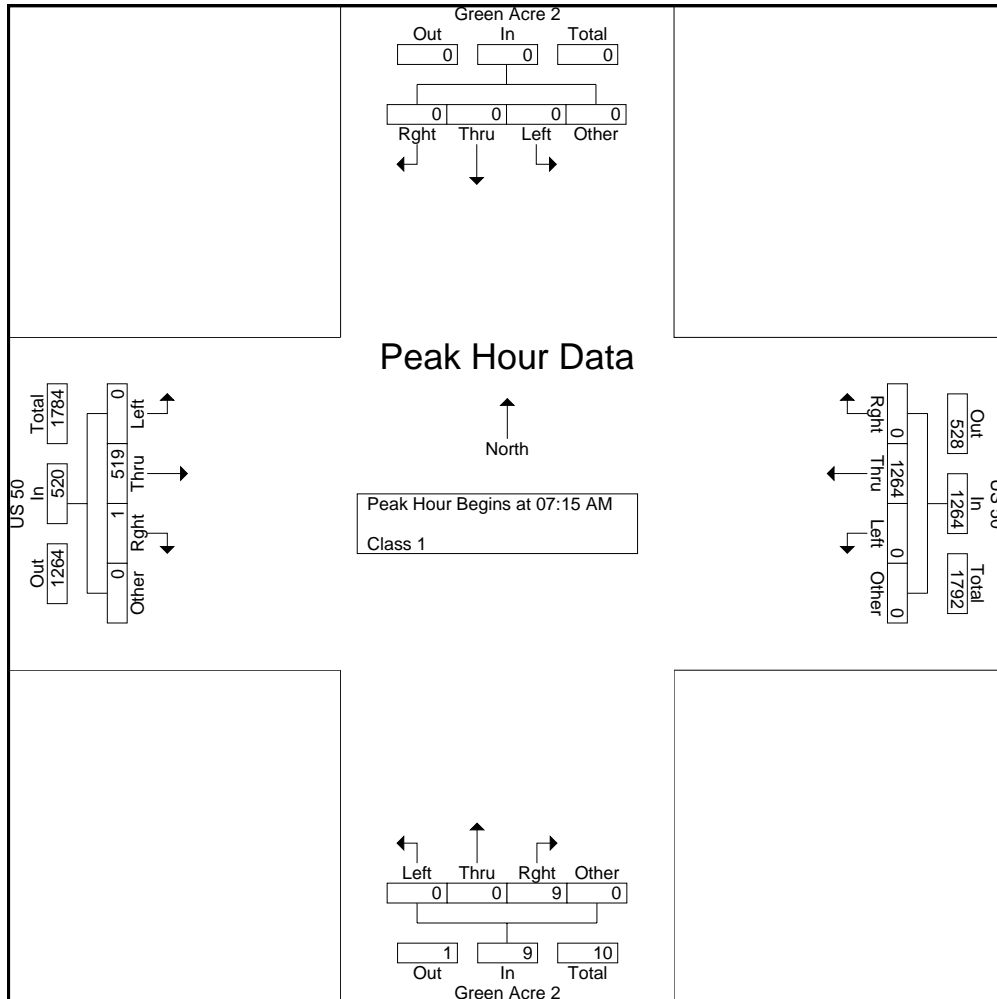




All Traffic Data Services, Inc.
 9660 W. 44th Ave.
 Wheat Ridge, CO 80033

File Name : #8 Green Acre 2 & US 50 AM
 Site Code : 00000000
 Start Date : 10/18/2007
 Page No : 2

Start Time	Green Acre 2 Southbound					US 50 Westbound					Green Acre 2 Northbound					US 50 Eastbound					Int. Total
	Left	Thru	Right	Other	App. Total	Left	Thru	Right	Other	App. Total	Left	Thru	Right	Other	App. Total	Left	Thru	Right	Other	App. Total	
Peak Hour Analysis From 07:00 AM to 08:45 AM - Peak 1 of 1																					
Peak Hour for Entire Intersection Begins at 07:15 AM																					
07:15 AM	0	0	0	0	0	0	335	0	0	335	0	0	1	0	1	0	110	0	0	110	446
07:30 AM	0	0	0	0	0	0	370	0	0	370	0	0	3	0	3	0	130	1	0	131	504
07:45 AM	0	0	0	0	0	0	331	0	0	331	0	0	3	0	3	0	128	0	0	128	462
08:00 AM	0	0	0	0	0	0	228	0	0	228	0	0	2	0	2	0	151	0	0	151	381
Total Volume	0	0	0	0	0	0	1264	0	0	1264	0	0	9	0	9	0	519	1	0	520	1793
% App. Total	0	0	0	0	0	0	100	0	0	100	0	0	100	0	100	0	99.8	0.2	0	100	
PHF	.000	.000	.000	.000	.000	.000	.854	.000	.000	.854	.000	.000	.750	.000	.750	.000	.859	.250	.000	.861	.889



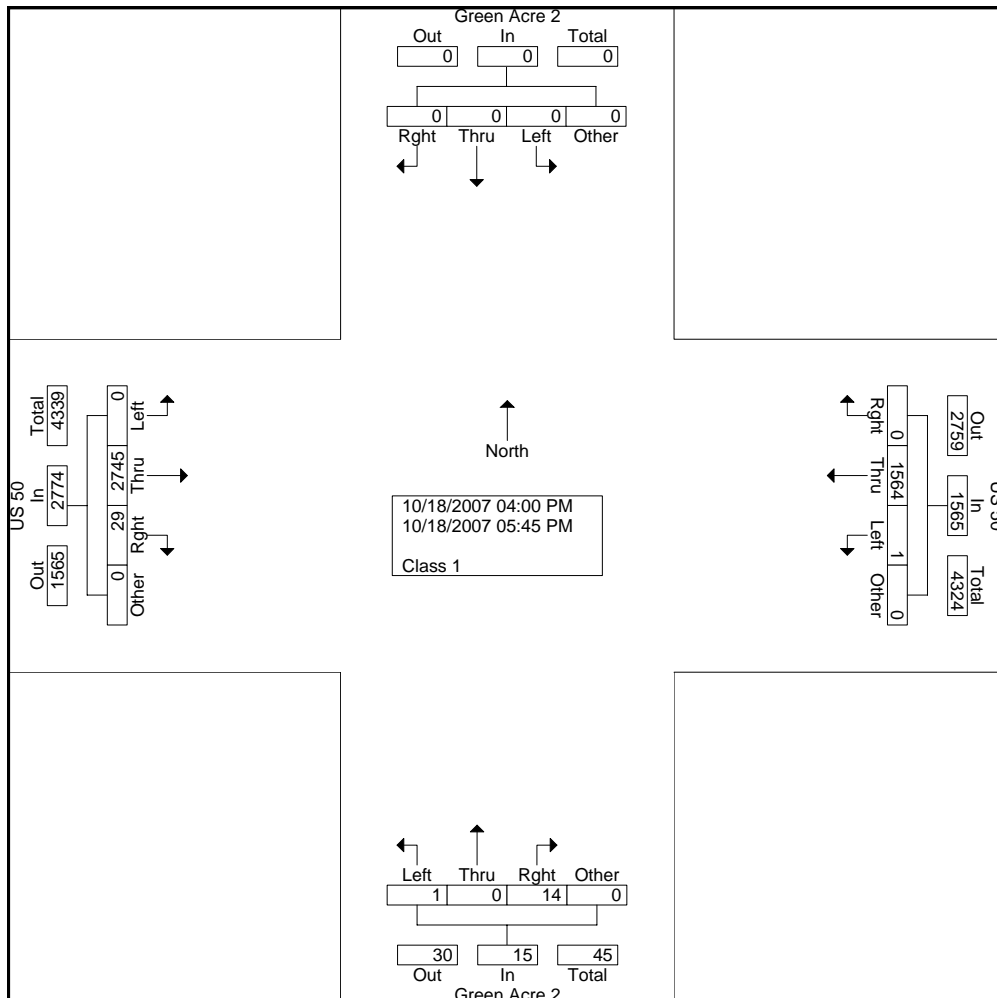


All Traffic Data Services, Inc.
 9660 W. 44th Ave.
 Wheat Ridge, CO 80033

File Name : #8 Green Acre 2 & US 50 PM
 Site Code : 00000000
 Start Date : 10/18/2007
 Page No : 1

Groups Printed- Class 1

Start Time	Green Acre 2 Southbound				US 50 Westbound				Green Acre 2 Northbound				US 50 Eastbound				Int. Total
	Left	Thru	Right	Other	Left	Thru	Right	Other	Left	Thru	Right	Other	Left	Thru	Right	Other	
04:00 PM	0	0	0	0	0	189	0	0	1	0	1	0	0	259	3	0	453
04:15 PM	0	0	0	0	0	190	0	0	0	0	0	0	0	310	2	0	502
04:30 PM	0	0	0	0	0	217	0	0	0	0	5	0	0	324	6	0	552
04:45 PM	0	0	0	0	1	174	0	0	0	0	1	0	0	351	3	0	530
Total	0	0	0	0	1	770	0	0	1	0	7	0	0	1244	14	0	2037
05:00 PM	0	0	0	0	0	189	0	0	0	0	2	0	0	380	4	0	575
05:15 PM	0	0	0	0	0	198	0	0	0	0	3	0	0	395	3	0	599
05:30 PM	0	0	0	0	0	207	0	0	0	0	0	0	0	387	3	0	597
05:45 PM	0	0	0	0	0	200	0	0	0	0	2	0	0	339	5	0	546
Total	0	0	0	0	0	794	0	0	0	0	7	0	0	1501	15	0	2317
Grand Total	0	0	0	0	1	1564	0	0	1	0	14	0	0	2745	29	0	4354
Apprch %	0	0	0	0	0.1	99.9	0	0	6.7	0	93.3	0	0	99	1	0	
Total %	0	0	0	0	0	35.9	0	0	0	0	0.3	0	0	63	0.7	0	

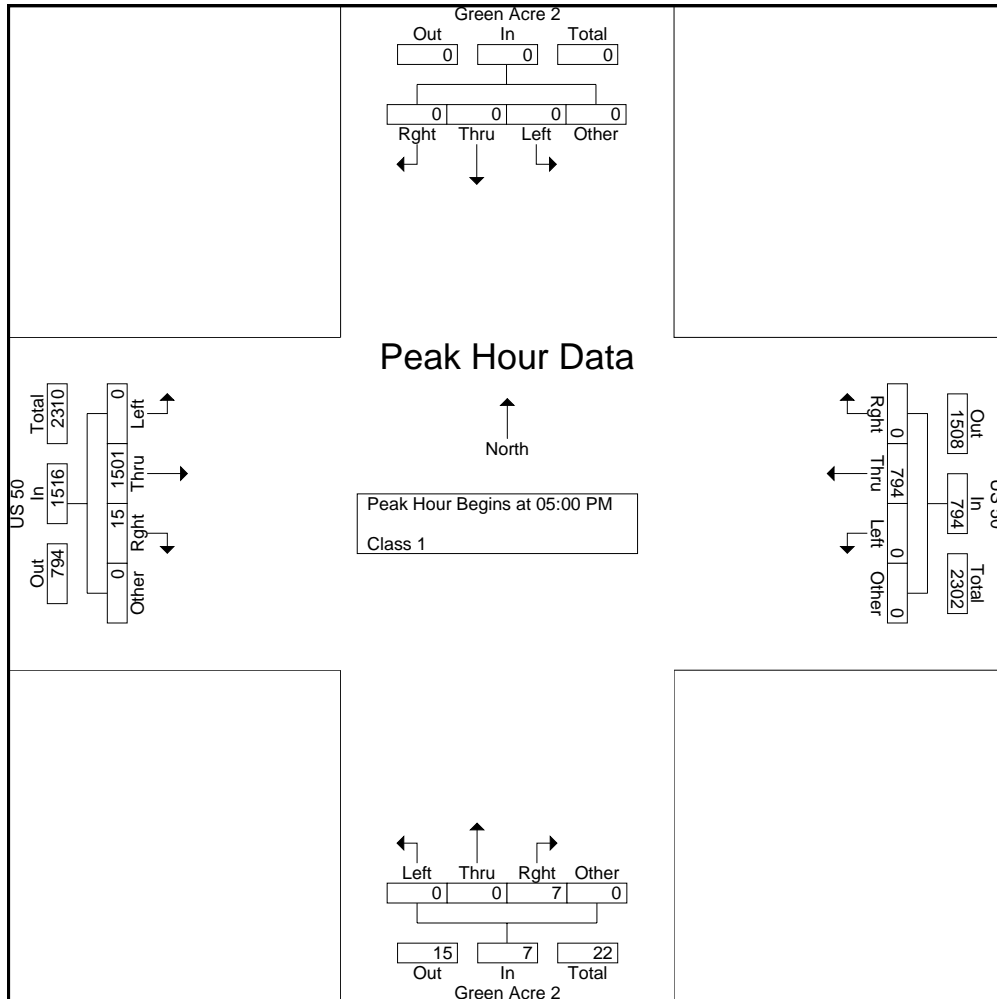




All Traffic Data Services, Inc.
 9660 W. 44th Ave.
 Wheat Ridge, CO 80033

File Name : #8 Green Acre 2 & US 50 PM
 Site Code : 00000000
 Start Date : 10/18/2007
 Page No : 2

Start Time	Green Acre 2 Southbound					US 50 Westbound					Green Acre 2 Northbound					US 50 Eastbound					Int. Total
	Left	Thru	Right	Other	App. Total	Left	Thru	Right	Other	App. Total	Left	Thru	Right	Other	App. Total	Left	Thru	Right	Other	App. Total	
Peak Hour Analysis From 04:00 PM to 05:45 PM - Peak 1 of 1																					
Peak Hour for Entire Intersection Begins at 05:00 PM																					
05:00 PM	0	0	0	0	0	0	189	0	0	189	0	0	2	0	2	0	380	4	0	384	575
05:15 PM	0	0	0	0	0	0	198	0	0	198	0	0	3	0	3	0	395	3	0	398	599
05:30 PM	0	0	0	0	0	0	207	0	0	207	0	0	0	0	0	0	387	3	0	390	597
05:45 PM	0	0	0	0	0	0	200	0	0	200	0	0	2	0	2	0	339	5	0	344	546
Total Volume	0	0	0	0	0	0	794	0	0	794	0	0	7	0	7	0	1501	15	0	1516	2317
% App. Total	0	0	0	0	0	0	100	0	0	100	0	0	100	0	100	0	99	1	0	100	100
PHF	.000	.000	.000	.000	.000	.000	.959	.000	.000	.959	.000	.000	.583	.000	.583	.000	.950	.750	.000	.952	.967



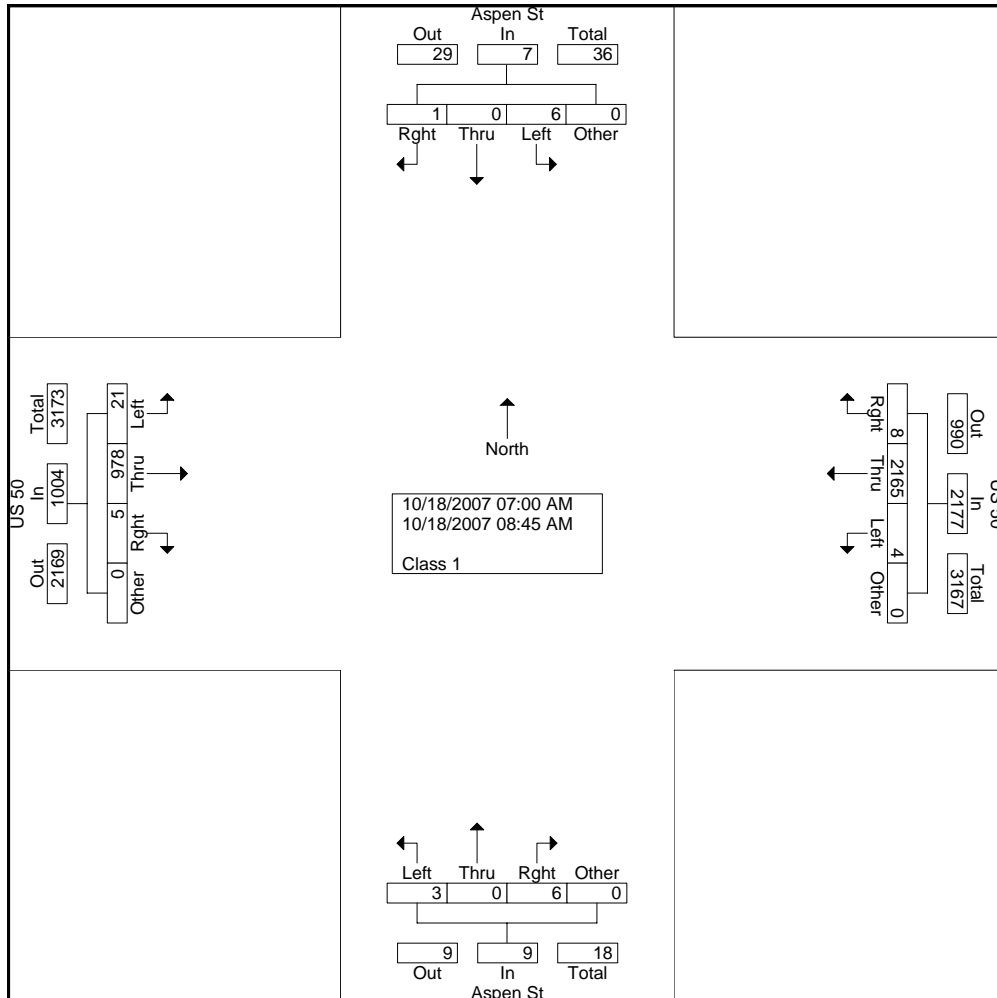


All Traffic Data Services, Inc.
 9660 W. 44th Ave.
 Wheat Ridge, CO 80033

File Name : #9 Aspen St & US 50 AM
 Site Code : 00000000
 Start Date : 10/18/2007
 Page No : 1

Groups Printed- Class 1

Start Time	Aspen St Southbound				US 50 Westbound				Aspen St Northbound				US 50 Eastbound				Int. Total	
	Left	Thru	Right	Other	Left	Thru	Right	Other	Left	Thru	Right	Other	Left	Thru	Right	Other		
07:00 AM	0	0	0	0	0	257	0	0	0	0	0	1	0	6	105	0	0	369
07:15 AM	0	0	0	0	1	336	0	0	0	0	0	0	2	112	0	0	451	
07:30 AM	0	0	0	0	0	372	1	0	1	0	1	0	2	128	1	0	506	
07:45 AM	1	0	0	0	0	327	1	0	0	0	1	0	3	126	0	0	459	
Total	1	0	0	0	1	1292	2	0	1	0	3	0	13	471	1	0	1785	
08:00 AM	1	0	0	0	0	226	0	0	0	0	2	0	6	146	1	0	382	
08:15 AM	1	0	0	0	1	208	0	0	1	0	0	0	0	125	1	0	337	
08:30 AM	1	0	1	0	2	250	1	0	1	0	1	0	0	125	1	0	383	
08:45 AM	2	0	0	0	0	189	5	0	0	0	0	0	2	111	1	0	310	
Total	5	0	1	0	3	873	6	0	2	0	3	0	8	507	4	0	1412	
Grand Total	6	0	1	0	4	2165	8	0	3	0	6	0	21	978	5	0	3197	
Apprch %	85.7	0	14.3	0	0.2	99.4	0.4	0	33.3	0	66.7	0	2.1	97.4	0.5	0		
Total %	0.2	0	0	0	0.1	67.7	0.3	0	0.1	0	0.2	0	0.7	30.6	0.2	0		

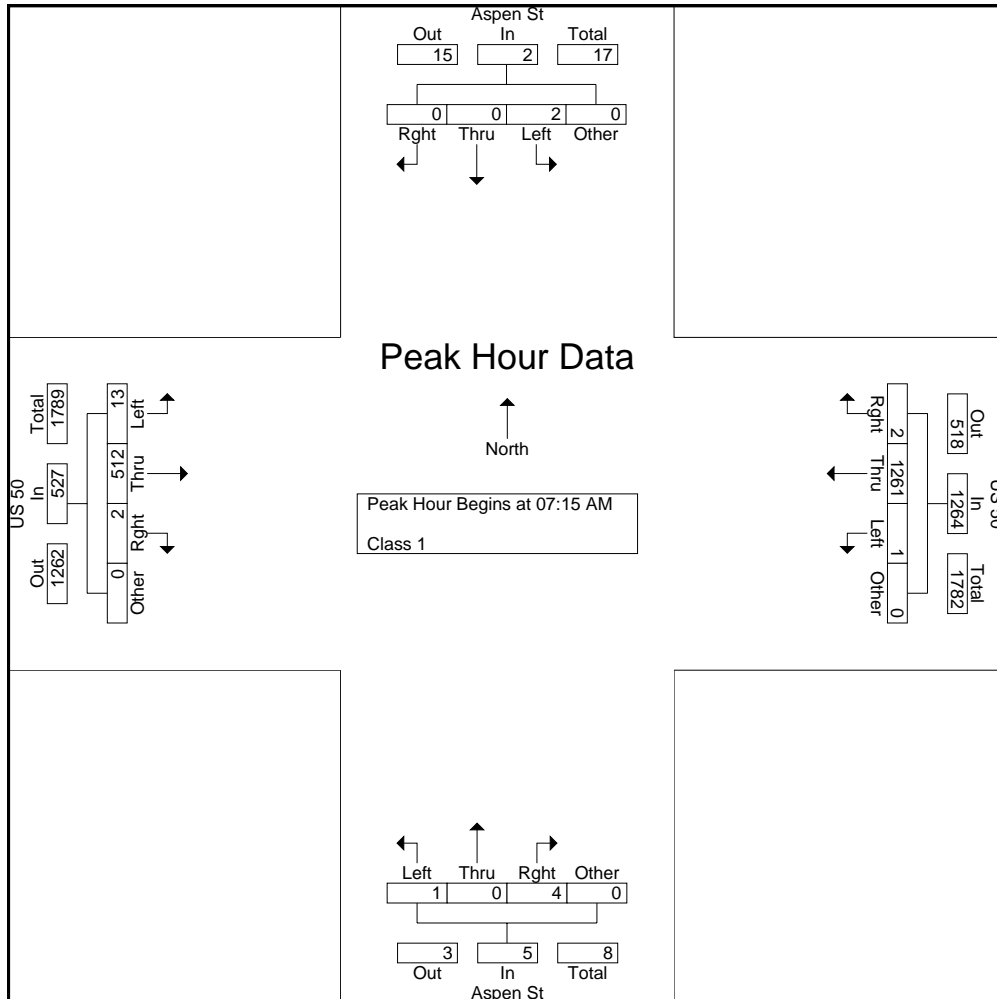




All Traffic Data Services, Inc.
 9660 W. 44th Ave.
 Wheat Ridge, CO 80033

File Name : #9 Aspen St & US 50 AM
 Site Code : 00000000
 Start Date : 10/18/2007
 Page No : 2

Start Time	Aspen St Southbound					US 50 Westbound					Aspen St Northbound					US 50 Eastbound					Int. Total
	Left	Thru	Right	Other	App. Total	Left	Thru	Right	Other	App. Total	Left	Thru	Right	Other	App. Total	Left	Thru	Right	Other	App. Total	
Peak Hour Analysis From 07:00 AM to 08:45 AM - Peak 1 of 1																					
Peak Hour for Entire Intersection Begins at 07:15 AM																					
07:15 AM	0	0	0	0	0	1	336	0	0	337	0	0	0	0	0	2	112	0	0	114	451
07:30 AM	0	0	0	0	0	0	372	1	0	373	1	0	1	0	2	2	128	1	0	131	506
07:45 AM	1	0	0	0	1	0	327	1	0	328	0	0	1	0	1	3	126	0	0	129	459
08:00 AM	1	0	0	0	1	0	226	0	0	226	0	0	2	0	2	6	146	1	0	153	382
Total Volume	2	0	0	0	2	1	1261	2	0	1264	1	0	4	0	5	13	512	2	0	527	1798
% App. Total	100	0	0	0		0.1	99.8	0.2	0		20	0	80	0		2.5	97.2	0.4	0		
PHF	.500	.000	.000	.000	.500	.250	.847	.500	.000	.847	.250	.000	.500	.000	.625	.542	.877	.500	.000	.861	.888



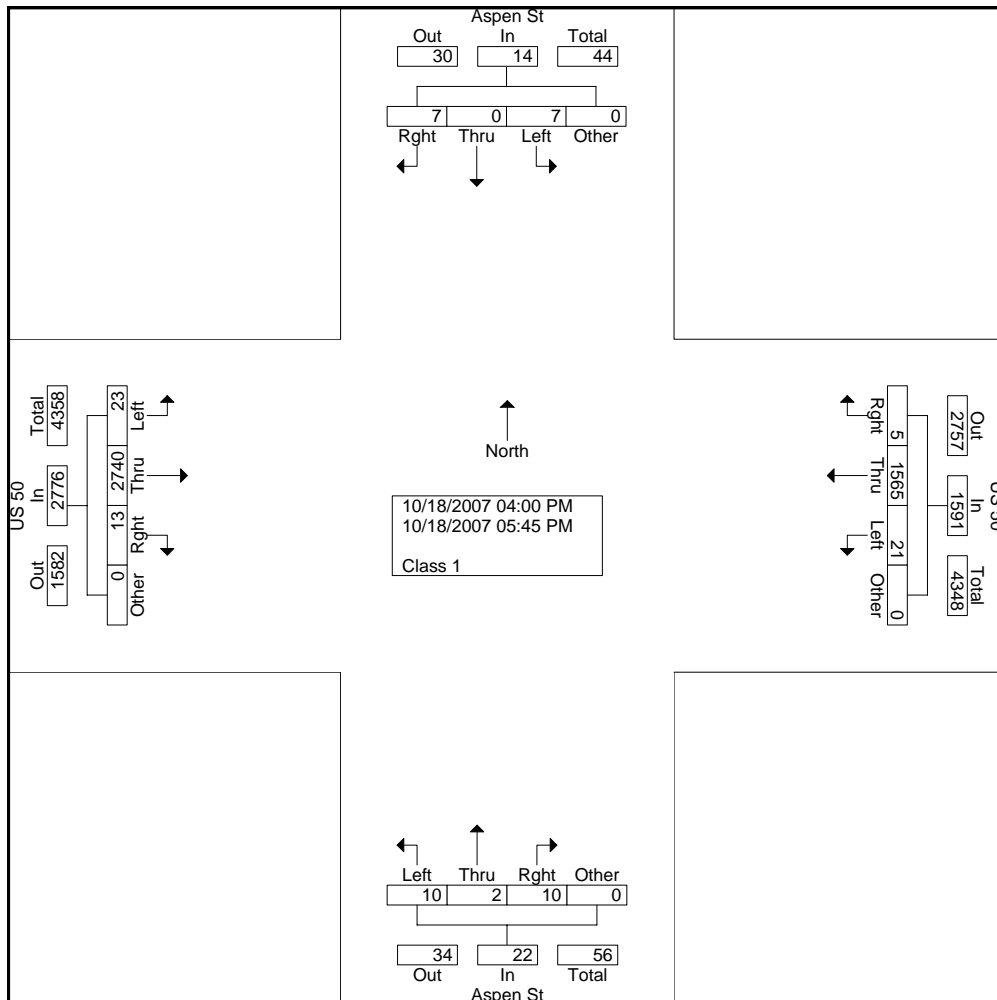


All Traffic Data Services, Inc.
 9660 W. 44th Ave.
 Wheat Ridge, CO 80033

File Name : #9 Aspen St & US 50 PM
 Site Code : 00000000
 Start Date : 10/18/2007
 Page No : 1

Groups Printed- Class 1

Start Time	Aspen St Southbound				US 50 Westbound				Aspen St Northbound				US 50 Eastbound				Int. Total
	Left	Thru	Right	Other	Left	Thru	Right	Other	Left	Thru	Right	Other	Left	Thru	Right	Other	
04:00 PM	0	0	3	0	2	185	0	0	0	0	2	0	4	255	2	0	453
04:15 PM	1	0	0	0	5	189	2	0	2	0	2	0	1	316	2	0	520
04:30 PM	3	0	2	0	2	220	2	0	1	0	2	0	6	322	2	0	562
04:45 PM	0	0	0	0	4	166	1	0	1	0	1	0	3	349	1	0	526
Total	4	0	5	0	13	760	5	0	4	0	7	0	14	1242	7	0	2061
05:00 PM	1	0	0	0	2	199	0	0	1	1	0	0	3	382	2	0	591
05:15 PM	1	0	1	0	3	196	0	0	3	1	1	0	0	393	3	0	602
05:30 PM	0	0	0	0	2	211	0	0	1	0	0	0	0	381	1	0	596
05:45 PM	1	0	1	0	1	199	0	0	1	0	2	0	6	342	0	0	553
Total	3	0	2	0	8	805	0	0	6	2	3	0	9	1498	6	0	2342
Grand Total	7	0	7	0	21	1565	5	0	10	2	10	0	23	2740	13	0	4403
Apprch %	50	0	50	0	1.3	98.4	0.3	0	45.5	9.1	45.5	0	0.8	98.7	0.5	0	
Total %	0.2	0	0.2	0	0.5	35.5	0.1	0	0.2	0	0.2	0	0.5	62.2	0.3	0	

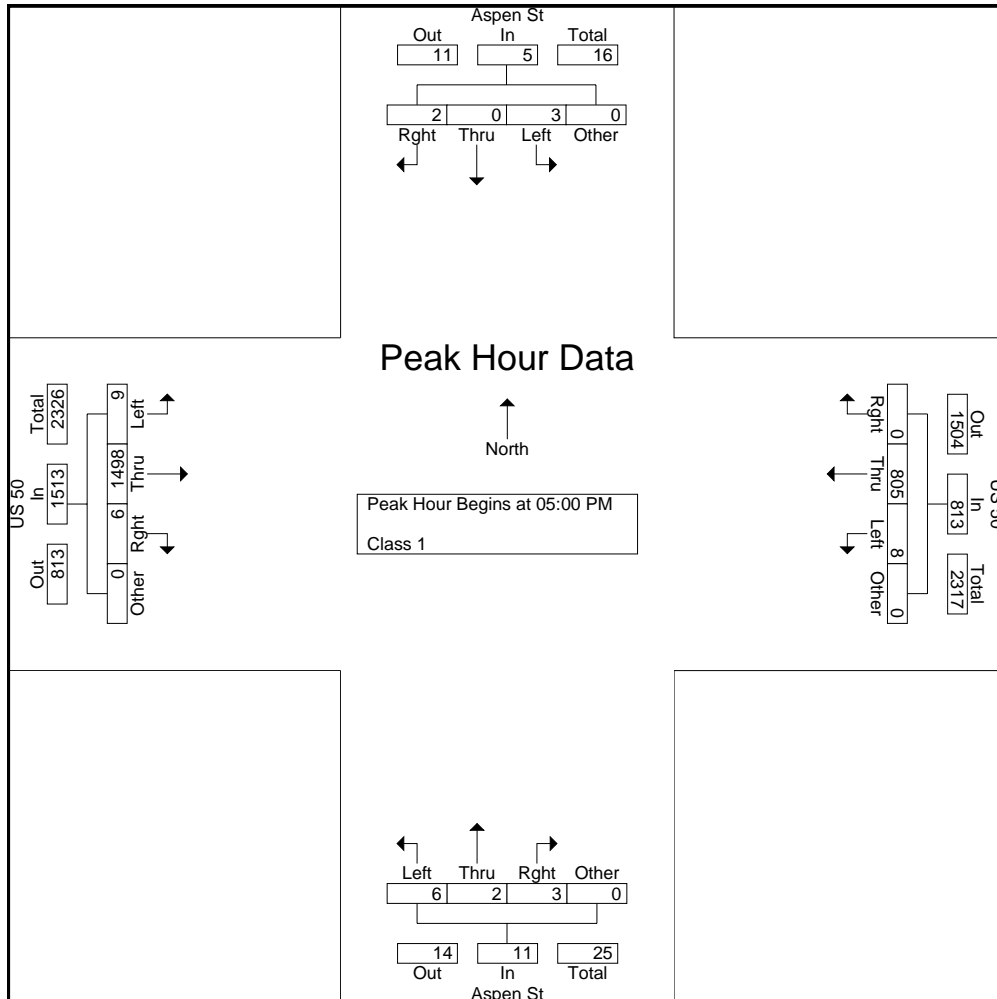




All Traffic Data Services, Inc.
 9660 W. 44th Ave.
 Wheat Ridge, CO 80033

File Name : #9 Aspen St & US 50 PM
 Site Code : 00000000
 Start Date : 10/18/2007
 Page No : 2

Start Time	Aspen St Southbound					US 50 Westbound					Aspen St Northbound					US 50 Eastbound					Int. Total
	Left	Thru	Right	Other	App. Total	Left	Thru	Right	Other	App. Total	Left	Thru	Right	Other	App. Total	Left	Thru	Right	Other	App. Total	
Peak Hour Analysis From 04:00 PM to 05:45 PM - Peak 1 of 1																					
Peak Hour for Entire Intersection Begins at 05:00 PM																					
05:00 PM	1	0	0	0	1	2	199	0	0	201	1	1	0	0	2	3	382	2	0	387	591
05:15 PM	1	0	1	0	2	3	196	0	0	199	3	1	1	0	5	0	393	3	0	396	602
05:30 PM	0	0	0	0	0	2	211	0	0	213	1	0	0	0	1	0	381	1	0	382	596
05:45 PM	1	0	1	0	2	1	199	0	0	200	1	0	2	0	3	6	342	0	0	348	553
Total Volume	3	0	2	0	5	8	805	0	0	813	6	2	3	0	11	9	1498	6	0	1513	2342
% App. Total	60	0	40	0		1	99	0	0		54.5	18.2	27.3	0		0.6	99	0.4	0		
PHF	.750	.000	.500	.000	.625	.667	.954	.000	.000	.954	.500	.500	.375	.000	.550	.375	.953	.500	.000	.955	.973



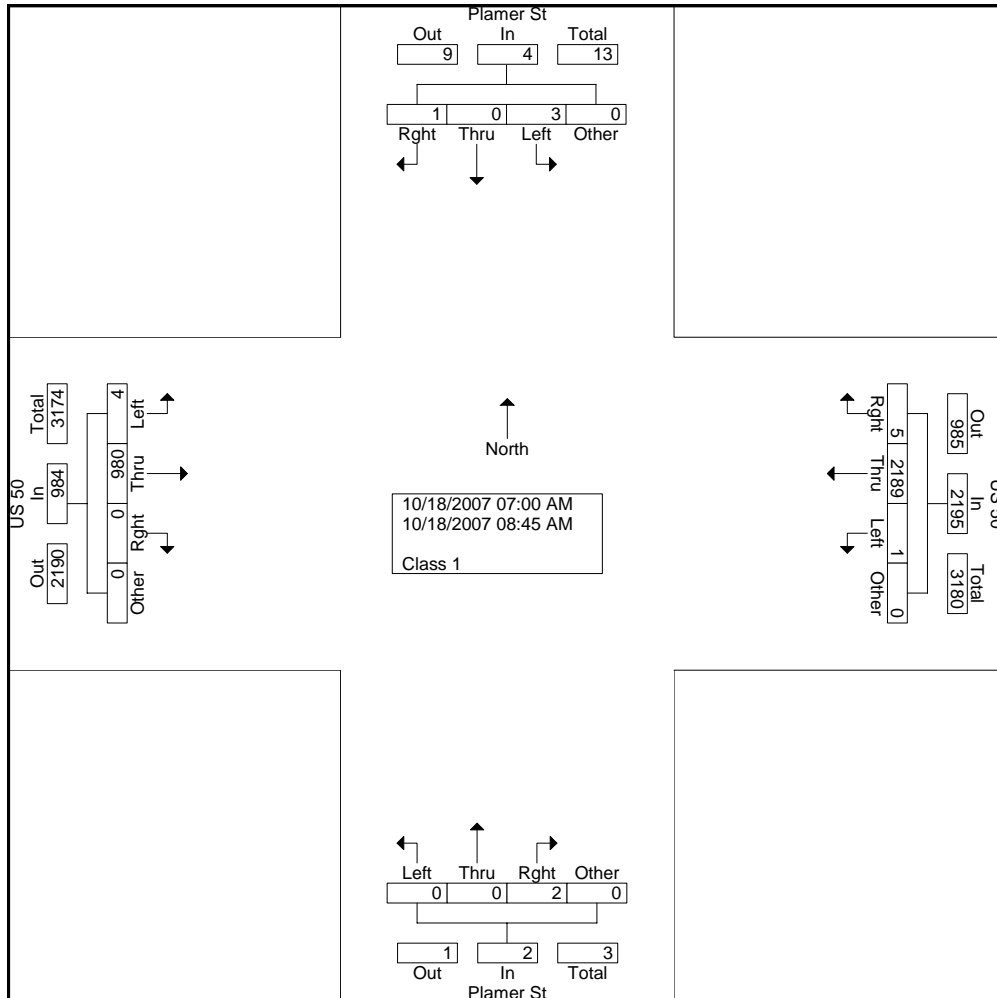


All Traffic Data Services, Inc.
 9660 W. 44th Ave.
 Wheat Ridge, CO 80033

File Name : #10 Plamer St & US 50 AM
 Site Code : 00000000
 Start Date : 10/18/2007
 Page No : 1

Groups Printed- Class 1

Start Time	Plamer St Southbound				US 50 Westbound				Plamer St Northbound				US 50 Eastbound				Int. Total
	Left	Thru	Rght	Other	Left	Thru	Rght	Other	Left	Thru	Rght	Other	Left	Thru	Rght	Other	
07:00 AM	0	0	0	0	0	256	2	0	0	0	1	0	1	105	0	0	365
07:15 AM	0	0	0	0	0	348	0	0	0	0	0	0	0	114	0	0	462
07:30 AM	0	0	0	0	0	378	0	0	0	0	0	0	0	129	0	0	507
07:45 AM	0	0	0	0	0	333	0	0	0	0	0	0	0	125	0	0	458
Total	0	0	0	0	0	1315	2	0	0	0	1	0	1	473	0	0	1792
08:00 AM	0	0	0	0	0	232	0	0	0	0	0	0	2	144	0	0	378
08:15 AM	0	0	0	0	0	204	1	0	0	0	0	0	0	123	0	0	328
08:30 AM	3	0	0	0	0	251	0	0	0	0	0	0	1	126	0	0	381
08:45 AM	0	0	1	0	1	187	2	0	0	0	1	0	0	114	0	0	306
Total	3	0	1	0	1	874	3	0	0	0	1	0	3	507	0	0	1393
Grand Total	3	0	1	0	1	2189	5	0	0	0	2	0	4	980	0	0	3185
Apprch %	75	0	25	0	0	99.7	0.2	0	0	0	100	0	0.4	99.6	0	0	
Total %	0.1	0	0	0	0	68.7	0.2	0	0	0	0.1	0	0.1	30.8	0	0	

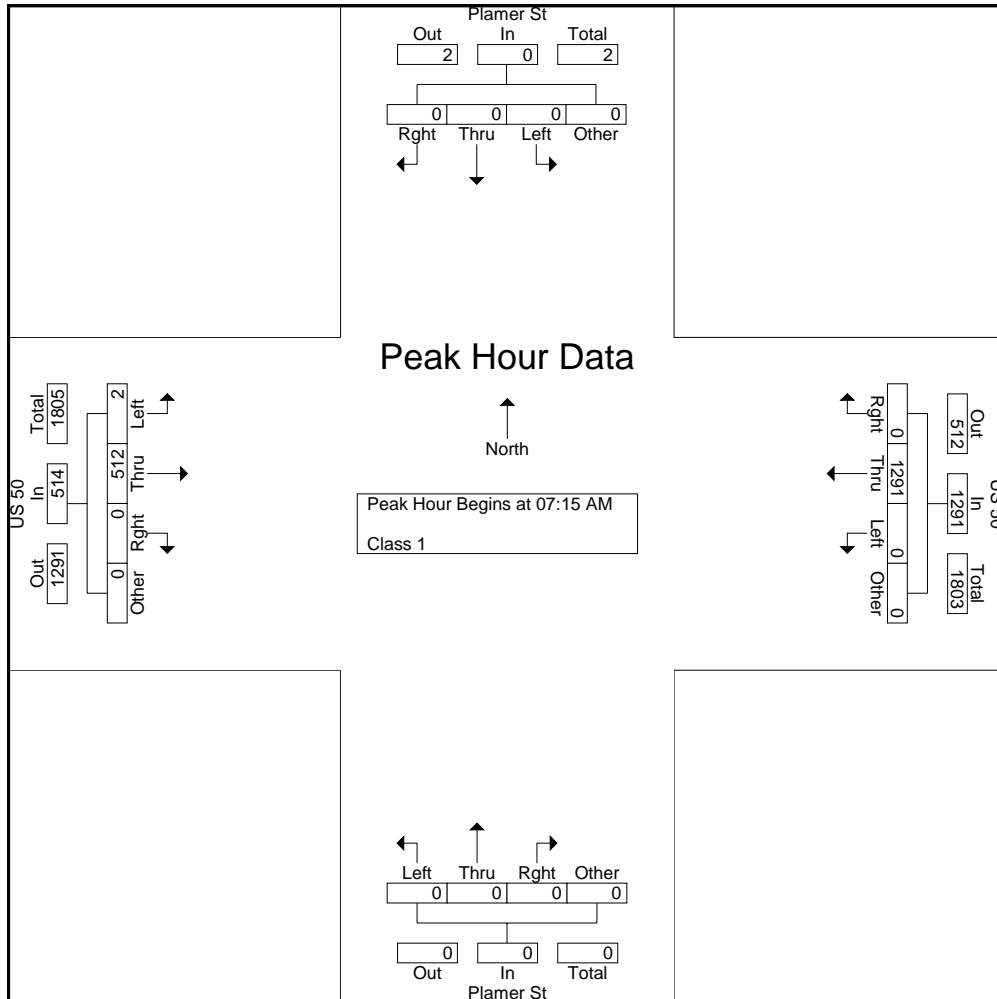




All Traffic Data Services, Inc.
 9660 W. 44th Ave.
 Wheat Ridge, CO 80033

File Name : #10 Plamer St & US 50 AM
 Site Code : 00000000
 Start Date : 10/18/2007
 Page No : 2

Start Time	Plamer St Southbound					US 50 Westbound					Plamer St Northbound					US 50 Eastbound					Int. Total
	Left	Thru	Right	Other	App. Total	Left	Thru	Right	Other	App. Total	Left	Thru	Right	Other	App. Total	Left	Thru	Right	Other	App. Total	
Peak Hour Analysis From 07:00 AM to 08:45 AM - Peak 1 of 1																					
Peak Hour for Entire Intersection Begins at 07:15 AM																					
07:15 AM	0	0	0	0	0	0	348	0	0	348	0	0	0	0	0	0	114	0	0	114	462
07:30 AM	0	0	0	0	0	0	378	0	0	378	0	0	0	0	0	0	129	0	0	129	507
07:45 AM	0	0	0	0	0	0	333	0	0	333	0	0	0	0	0	0	125	0	0	125	458
08:00 AM	0	0	0	0	0	0	232	0	0	232	0	0	0	0	0	2	144	0	0	146	378
Total Volume	0	0	0	0	0	0	1291	0	0	1291	0	0	0	0	0	2	512	0	0	514	1805
% App. Total	0	0	0	0	0	0	100	0	0	100	0	0	0	0	0	0.4	99.6	0	0	100	
PHF	.000	.000	.000	.000	.000	.000	.854	.000	.000	.854	.000	.000	.000	.000	.000	.250	.889	.000	.000	.880	.890



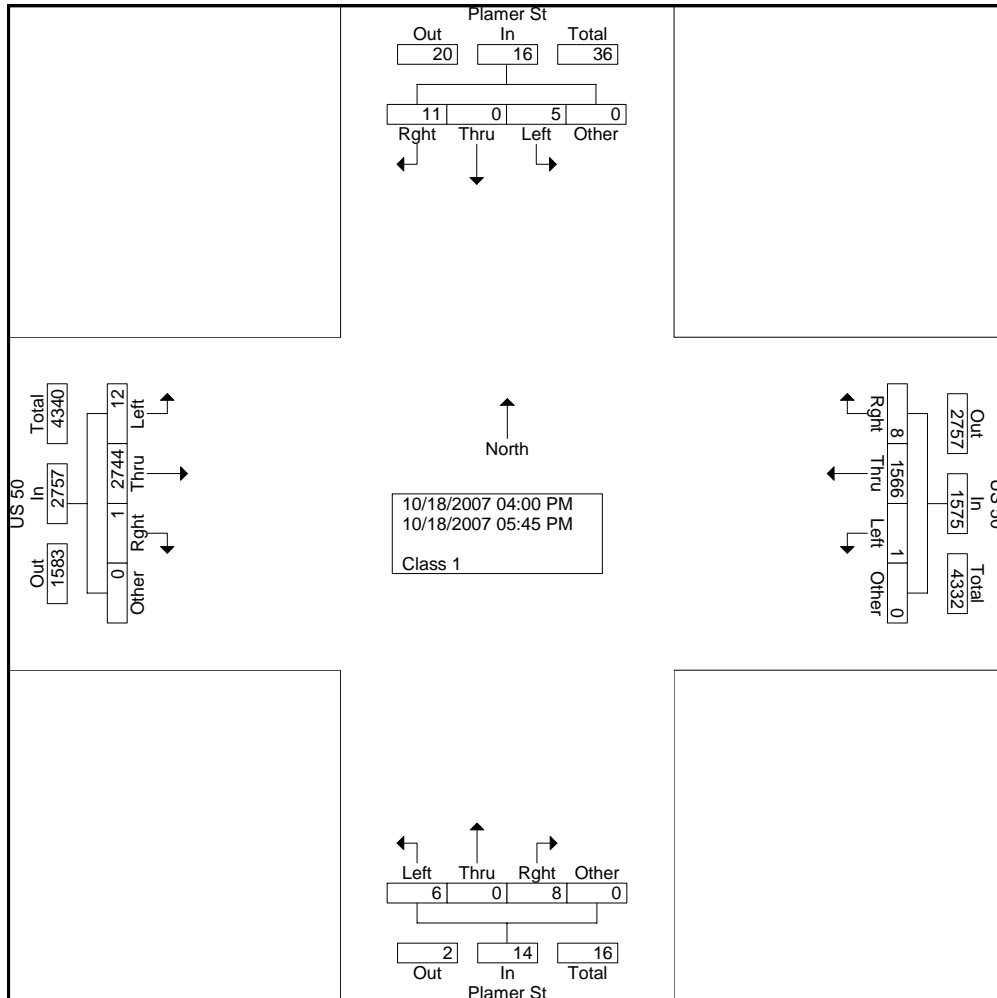


All Traffic Data Services, Inc.
 9660 W. 44th Ave.
 Wheat Ridge, CO 80033

File Name : #10 Plamer St & US 50 PM
 Site Code : 00000000
 Start Date : 10/18/2007
 Page No : 1

Groups Printed- Class 1

Start Time	Plamer St Southbound				US 50 Westbound				Plamer St Northbound				US 50 Eastbound				Int. Total
	Left	Thru	Right	Other	Left	Thru	Right	Other	Left	Thru	Right	Other	Left	Thru	Right	Other	
04:00 PM	1	0	1	0	0	179	1	0	1	0	3	0	3	268	0	0	457
04:15 PM	1	0	0	0	0	210	1	0	1	0	1	0	0	321	0	0	535
04:30 PM	0	0	0	0	1	232	2	0	0	0	1	0	1	330	1	0	568
04:45 PM	0	0	1	0	0	158	0	0	2	0	0	0	2	350	0	0	513
Total	2	0	2	0	1	779	4	0	4	0	5	0	6	1269	1	0	2073
05:00 PM	2	0	2	0	0	196	1	0	1	0	2	0	2	358	0	0	564
05:15 PM	1	0	1	0	0	204	1	0	1	0	0	0	2	402	0	0	612
05:30 PM	0	0	3	0	0	211	1	0	0	0	1	0	0	380	0	0	596
05:45 PM	0	0	3	0	0	176	1	0	0	0	0	0	2	335	0	0	517
Total	3	0	9	0	0	787	4	0	2	0	3	0	6	1475	0	0	2289
Grand Total	5	0	11	0	1	1566	8	0	6	0	8	0	12	2744	1	0	4362
Apprch %	31.2	0	68.8	0	0.1	99.4	0.5	0	42.9	0	57.1	0	0.4	99.5	0	0	
Total %	0.1	0	0.3	0	0	35.9	0.2	0	0.1	0	0.2	0	0.3	62.9	0	0	

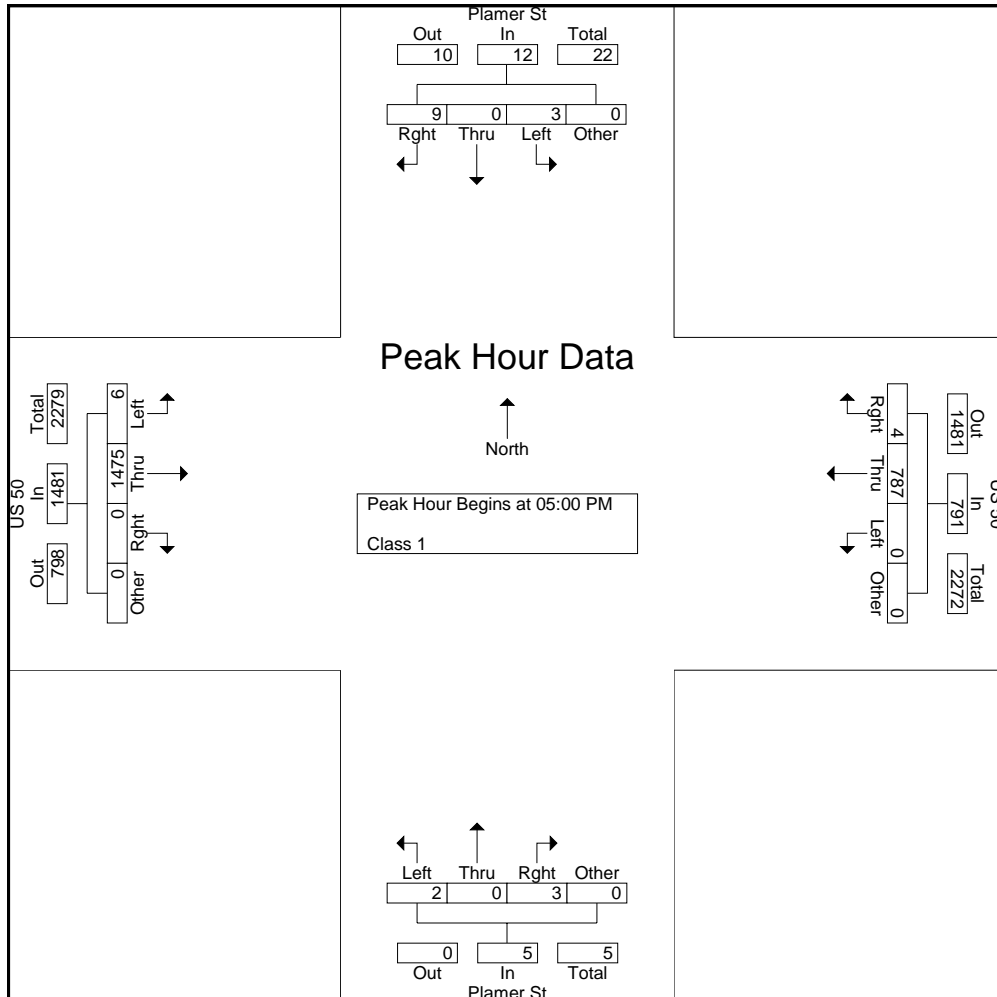




All Traffic Data Services, Inc.
 9660 W. 44th Ave.
 Wheat Ridge, CO 80033

File Name : #10 Plamer St & US 50 PM
 Site Code : 00000000
 Start Date : 10/18/2007
 Page No : 2

Start Time	Plamer St Southbound					US 50 Westbound					Plamer St Northbound					US 50 Eastbound					Int. Total
	Left	Thru	Right	Other	App. Total	Left	Thru	Right	Other	App. Total	Left	Thru	Right	Other	App. Total	Left	Thru	Right	Other	App. Total	
Peak Hour Analysis From 04:00 PM to 05:45 PM - Peak 1 of 1																					
Peak Hour for Entire Intersection Begins at 05:00 PM																					
05:00 PM	2	0	2	0	4	0	196	1	0	197	1	0	2	0	3	2	358	0	0	360	564
05:15 PM	1	0	1	0	2	0	204	1	0	205	1	0	0	0	1	2	402	0	0	404	612
05:30 PM	0	0	3	0	3	0	211	1	0	212	0	0	1	0	1	0	380	0	0	380	596
05:45 PM	0	0	3	0	3	0	176	1	0	177	0	0	0	0	0	2	335	0	0	337	517
Total Volume	3	0	9	0	12	0	787	4	0	791	2	0	3	0	5	6	1475	0	0	1481	2289
% App. Total	25	0	75	0		0	99.5	0.5	0		40	0	60	0		0.4	99.6	0	0		
PHF	.375	.000	.750	.000	.750	.000	.932	1.000	.000	.933	.500	.000	.375	.000	.417	.750	.917	.000	.000	.916	.935



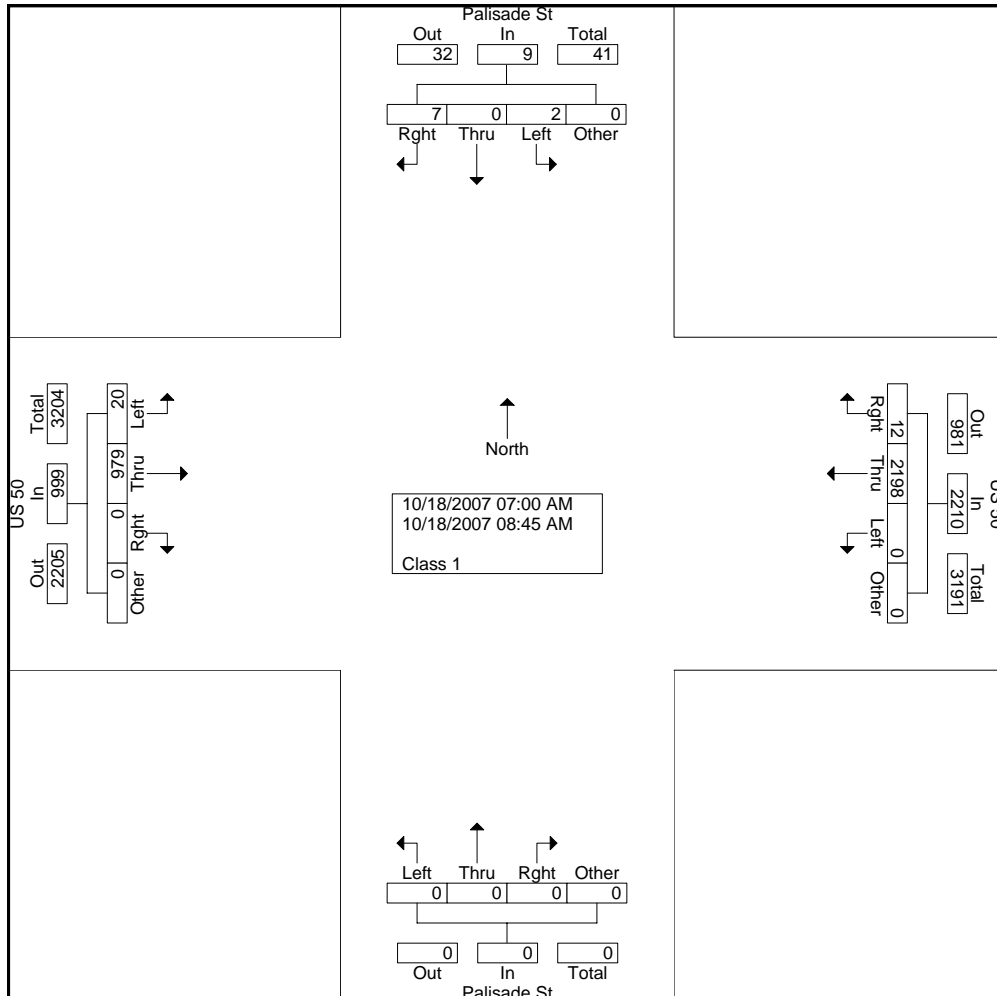


All Traffic Data Services, Inc.
 9660 W. 44th Ave.
 Wheat Ridge, CO 80033

File Name : #11 Palisade St & US 50 AM
 Site Code : 00000000
 Start Date : 10/18/2007
 Page No : 1

Groups Printed- Class 1

Start Time	Palisade St Southbound				US 50 Westbound				Palisade St Northbound				US 50 Eastbound				Int. Total
	Left	Thru	Right	Other	Left	Thru	Right	Other	Left	Thru	Right	Other	Left	Thru	Right	Other	
07:00 AM	0	0	0	0	0	251	0	0	0	0	0	0	0	104	0	0	355
07:15 AM	0	0	0	0	0	358	1	0	0	0	0	0	2	116	0	0	477
07:30 AM	0	0	2	0	0	379	4	0	0	0	0	0	4	129	0	0	518
07:45 AM	0	0	0	0	0	321	2	0	0	0	0	0	3	120	0	0	446
Total	0	0	2	0	0	1309	7	0	0	0	0	0	9	469	0	0	1796
08:00 AM	0	0	3	0	0	244	1	0	0	0	0	0	3	149	0	0	400
08:15 AM	0	0	0	0	0	203	1	0	0	0	0	0	0	125	0	0	329
08:30 AM	1	0	1	0	0	248	2	0	0	0	0	0	3	121	0	0	376
08:45 AM	1	0	1	0	0	194	1	0	0	0	0	0	5	115	0	0	317
Total	2	0	5	0	0	889	5	0	0	0	0	0	11	510	0	0	1422
Grand Total	2	0	7	0	0	2198	12	0	0	0	0	0	20	979	0	0	3218
Apprch %	22.2	0	77.8	0	0	99.5	0.5	0	0	0	0	0	2	98	0	0	
Total %	0.1	0	0.2	0	0	68.3	0.4	0	0	0	0	0	0.6	30.4	0	0	

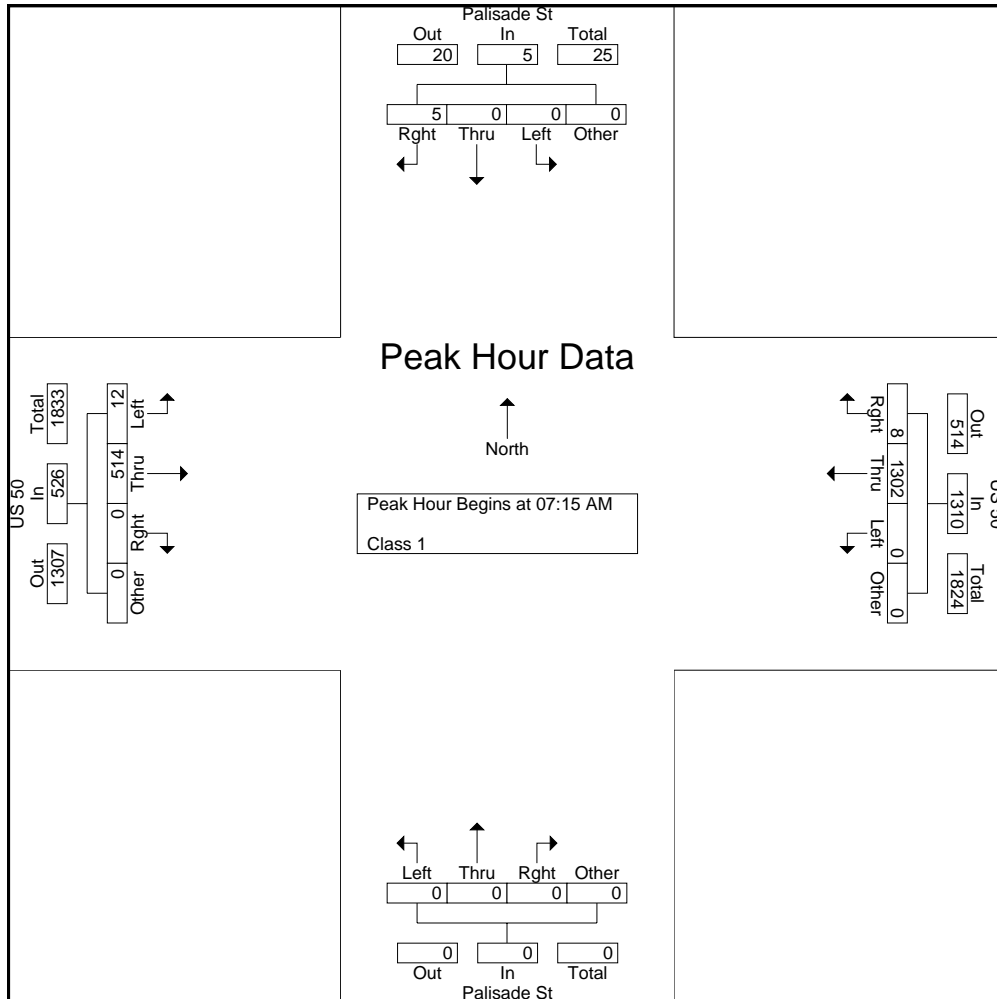




All Traffic Data Services, Inc.
 9660 W. 44th Ave.
 Wheat Ridge, CO 80033

File Name : #11 Palisade St & US 50 AM
 Site Code : 00000000
 Start Date : 10/18/2007
 Page No : 2

Start Time	Palisade St Southbound					US 50 Westbound					Palisade St Northbound					US 50 Eastbound					Int. Total
	Left	Thru	Right	Other	App. Total	Left	Thru	Right	Other	App. Total	Left	Thru	Right	Other	App. Total	Left	Thru	Right	Other	App. Total	
Peak Hour Analysis From 07:00 AM to 08:45 AM - Peak 1 of 1																					
Peak Hour for Entire Intersection Begins at 07:15 AM																					
07:15 AM	0	0	0	0	0	0	358	1	0	359	0	0	0	0	0	2	116	0	0	118	477
07:30 AM	0	0	2	0	2	0	379	4	0	383	0	0	0	0	0	4	129	0	0	133	518
07:45 AM	0	0	0	0	0	0	321	2	0	323	0	0	0	0	0	3	120	0	0	123	446
08:00 AM	0	0	3	0	3	0	244	1	0	245	0	0	0	0	0	3	149	0	0	152	400
Total Volume	0	0	5	0	5	0	1302	8	0	1310	0	0	0	0	0	12	514	0	0	526	1841
% App. Total	0	0	100	0		0	99.4	0.6	0		0	0	0	0		2.3	97.7	0	0		
PHF	.000	.000	.417	.000	.417	.000	.859	.500	.000	.855	.000	.000	.000	.000	.000	.750	.862	.000	.000	.865	.889



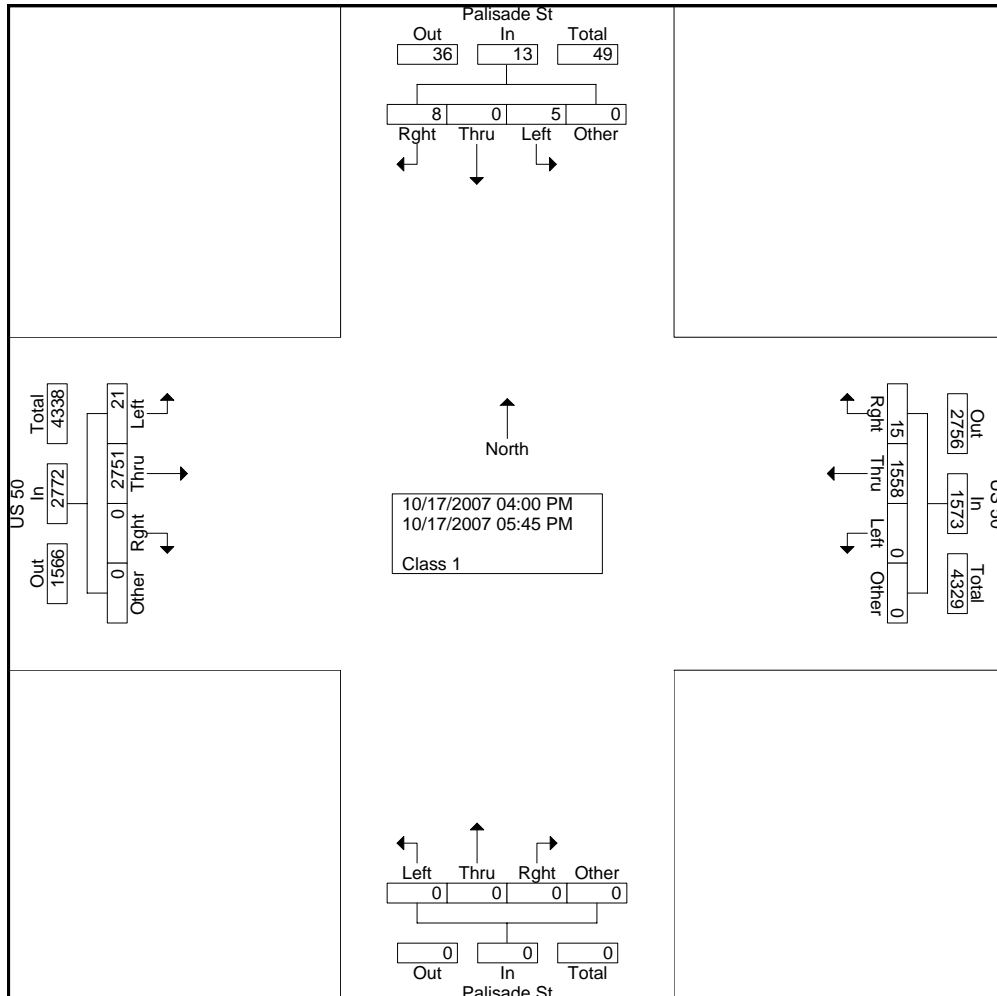


All Traffic Data Services, Inc.
 9660 W. 44th Ave.
 Wheat Ridge, CO 80033

File Name : #11 Palisade St & US 50 PM
 Site Code : 00000000
 Start Date : 10/17/2007
 Page No : 1

Groups Printed- Class 1

Start Time	Palisade St Southbound				US 50 Westbound				Palisade St Northbound				US 50 Eastbound				Int. Total
	Left	Thru	Right	Other	Left	Thru	Right	Other	Left	Thru	Right	Other	Left	Thru	Right	Other	
04:00 PM	0	0	3	0	0	173	4	0	0	0	0	0	0	280	0	0	460
04:15 PM	1	0	2	0	0	214	2	0	0	0	0	0	2	324	0	0	545
04:30 PM	1	0	0	0	0	229	1	0	0	0	0	0	2	335	0	0	568
04:45 PM	1	0	0	0	0	163	0	0	0	0	0	0	3	347	0	0	514
Total	3	0	5	0	0	779	7	0	0	0	0	0	7	1286	0	0	2087
05:00 PM	0	0	0	0	0	189	3	0	0	0	0	0	8	356	0	0	556
05:15 PM	1	0	2	0	0	210	2	0	0	0	0	0	3	401	0	0	619
05:30 PM	0	0	1	0	0	208	2	0	0	0	0	0	1	371	0	0	583
05:45 PM	1	0	0	0	0	172	1	0	0	0	0	0	2	337	0	0	513
Total	2	0	3	0	0	779	8	0	0	0	0	0	14	1465	0	0	2271
Grand Total	5	0	8	0	0	1558	15	0	0	0	0	0	21	2751	0	0	4358
Apprch %	38.5	0	61.5	0	0	99	1	0	0	0	0	0	0.8	99.2	0	0	
Total %	0.1	0	0.2	0	0	35.8	0.3	0	0	0	0	0	0.5	63.1	0	0	

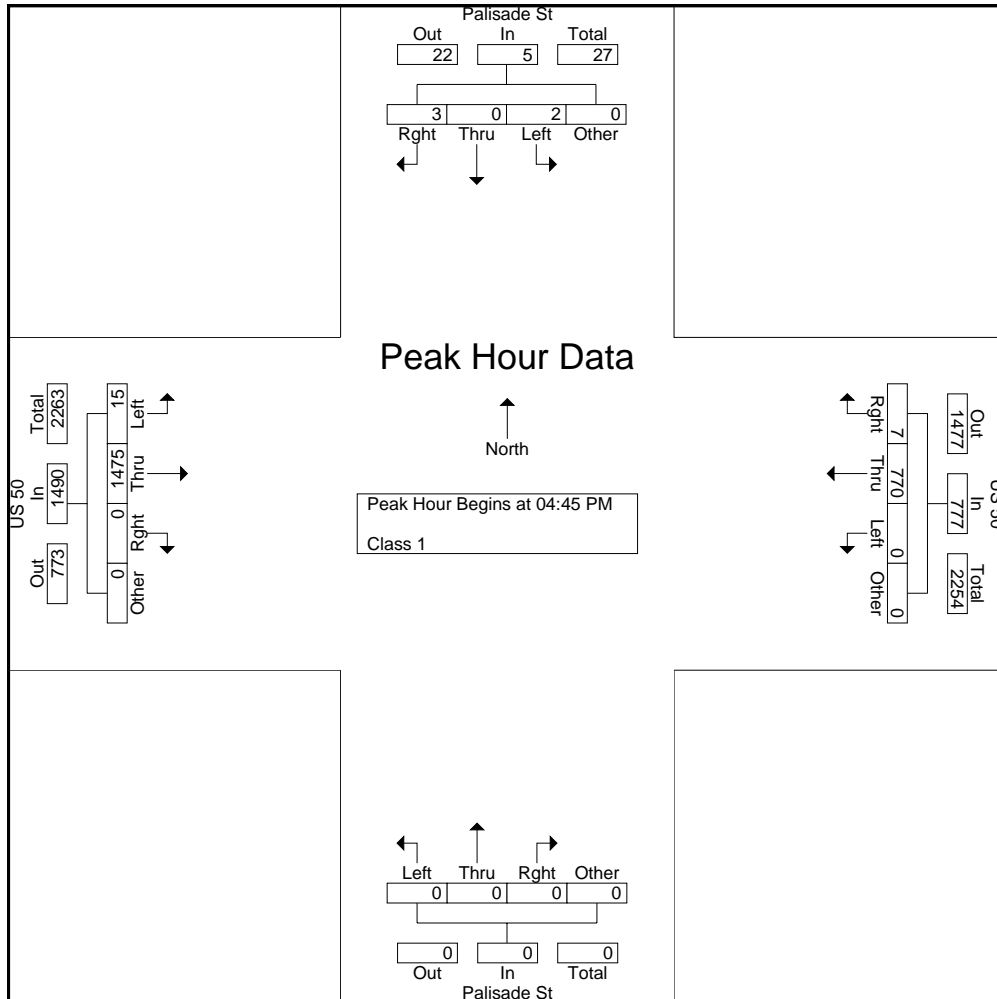




All Traffic Data Services, Inc.
 9660 W. 44th Ave.
 Wheat Ridge, CO 80033

File Name : #11 Palisade St & US 50 PM
 Site Code : 00000000
 Start Date : 10/17/2007
 Page No : 2

Start Time	Palisade St Southbound					US 50 Westbound					Palisade St Northbound					US 50 Eastbound					Int. Total
	Left	Thru	Right	Other	App. Total	Left	Thru	Right	Other	App. Total	Left	Thru	Right	Other	App. Total	Left	Thru	Right	Other	App. Total	
Peak Hour Analysis From 04:00 PM to 05:45 PM - Peak 1 of 1																					
Peak Hour for Entire Intersection Begins at 04:45 PM																					
04:45 PM	1	0	0	0	1	0	163	0	0	163	0	0	0	0	0	3	347	0	0	350	514
05:00 PM	0	0	0	0	0	0	189	3	0	192	0	0	0	0	0	8	356	0	0	364	556
05:15 PM	1	0	2	0	3	0	210	2	0	212	0	0	0	0	0	3	401	0	0	404	619
05:30 PM	0	0	1	0	1	0	208	2	0	210	0	0	0	0	0	1	371	0	0	372	583
Total Volume	2	0	3	0	5	0	770	7	0	777	0	0	0	0	0	15	1475	0	0	1490	2272
% App. Total	40	0	60	0		0	99.1	0.9	0		0	0	0	0		1	99	0	0		
PHF	.500	.000	.375	.000	.417	.000	.917	.583	.000	.916	.000	.000	.000	.000	.000	.469	.920	.000	.000	.922	.918





File Name : #12 B-34 AM
 Site Code : 00000000
 Start Date : 3/4/2008
 Page No : 1

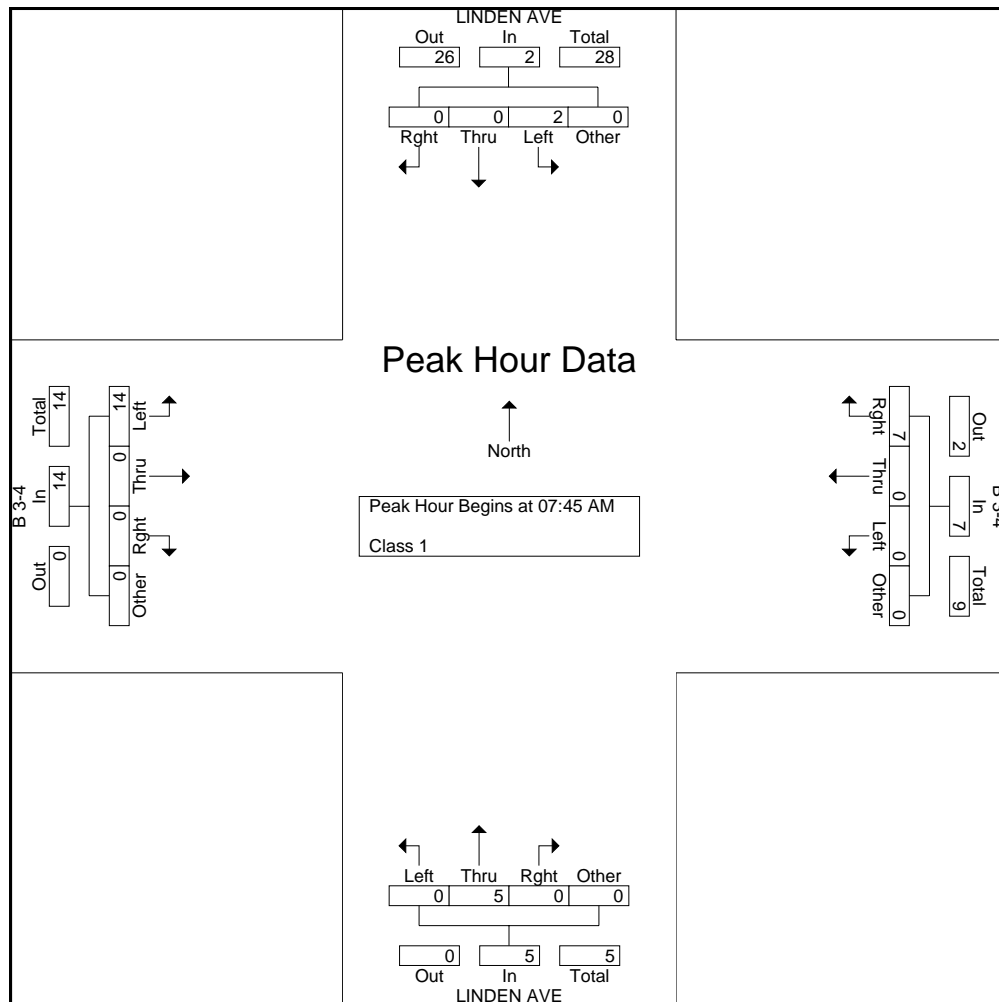
Groups Printed- Class 1

Start Time	LINDEN AVE Southbound				B 3-4 Westbound				LINDEN AVE Northbound				B 3-4 Eastbound				Int. Total
	Left	Thru	Rght	Other	Left	Thru	Rght	Other	Left	Thru	Rght	Other	Left	Thru	Rght	Other	
07:00 AM	0	0	0	0	0	0	0	0	0	0	0	0	2	0	0	0	2
07:15 AM	0	0	0	0	0	0	1	0	0	0	0	0	3	0	0	0	4
07:30 AM	0	0	0	0	0	0	1	0	0	0	0	0	1	0	0	0	2
07:45 AM	1	0	0	0	0	0	0	0	0	2	0	0	3	0	0	0	6
Total	1	0	0	0	0	0	2	0	0	2	0	0	9	0	0	0	14
08:00 AM	1	0	0	0	0	0	2	0	0	1	0	0	2	0	0	0	6
08:15 AM	0	0	0	0	0	0	3	0	0	1	0	0	5	0	0	0	9
08:30 AM	0	0	0	0	0	0	2	0	0	1	0	0	4	0	0	0	7
08:45 AM	0	0	0	0	0	0	1	0	0	1	0	0	2	0	0	0	4
Total	1	0	0	0	0	0	8	0	0	4	0	0	13	0	0	0	26
Grand Total	2	0	0	0	0	0	10	0	0	6	0	0	22	0	0	0	40
Apprch %	100	0	0	0	0	0	100	0	0	100	0	0	100	0	0	0	
Total %	5	0	0	0	0	0	25	0	0	15	0	0	55	0	0	0	



File Name : #12 B-34 AM
 Site Code : 00000000
 Start Date : 3/4/2008
 Page No : 2

Start Time	LINDEN AVE Southbound					B 3-4 Westbound					LINDEN AVE Northbound					B 3-4 Eastbound					Int. Total
	Left	Thru	Right	Other	App. Total	Left	Thru	Right	Other	App. Total	Left	Thru	Right	Other	App. Total	Left	Thru	Right	Other	App. Total	
Peak Hour Analysis From 07:00 AM to 08:45 AM - Peak 1 of 1																					
Peak Hour for Entire Intersection Begins at 07:45 AM																					
07:45 AM	1				1	0	0	0	0	0	0	2	0	0	2	3	0	0	0	3	6
08:00 AM	1	0	0	0	1	0	0	2	0	2	0	1	0	0	1	2	0	0	0	2	6
08:15 AM	0	0	0	0	0	0	0	3	0	3	0	1	0	0	1	5	0	0	0	5	9
08:30 AM	0	0	0	0	0	0	0	2	0	2	0	1	0	0	1	4	0	0	0	4	7
Total Volume	2	0	0	0	2	0	0	7	0	7	0	5	0	0	5	14	0	0	0	14	28
% App. Total	100	0	0	0		0	0	100	0		0	100	0	0		100	0	0	0		
PHF	.500	.000	.000	.000	.500	.000	.000	.583	.000	.583	.000	.625	.000	.000	.625	.700	.000	.000	.000	.700	.778





File Name : #12 B 3-4 PM
 Site Code : 00000000
 Start Date : 10/17/2007
 Page No : 1

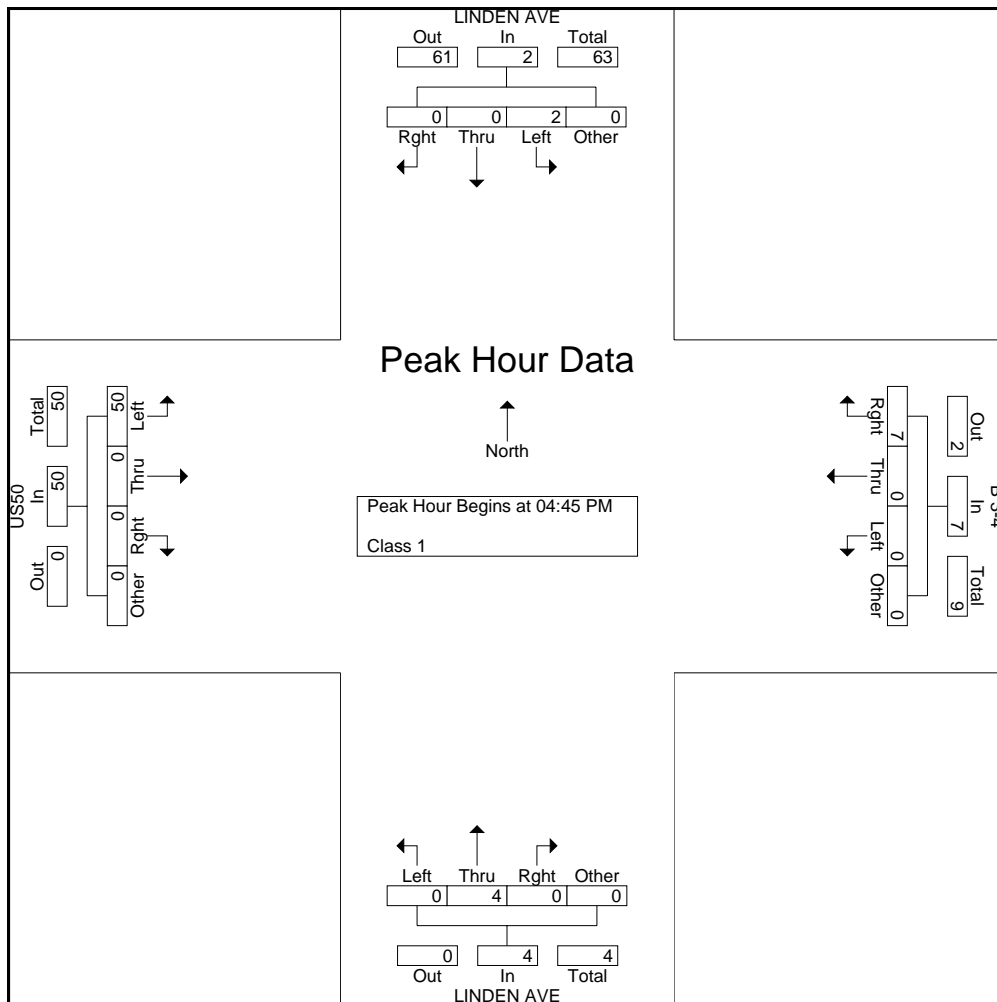
Groups Printed- Class 1

Start Time	LINDEN AVE Southbound				B 3-4 Westbound				LINDEN AVE Northbound				US50 Eastbound				Int. Total
	Left	Thru	Rght	Other	Left	Thru	Rght	Other	Left	Thru	Rght	Other	Left	Thru	Rght	Other	
04:00 PM	0	0	0	0	0	0	1	0	0	0	0	0	9	0	0	0	10
04:15 PM	0	0	0	0	0	0	0	0	0	2	0	0	11	0	0	0	13
04:30 PM	1	0	0	0	0	0	3	0	0	1	0	0	9	0	0	0	14
04:45 PM	1	0	0	0	0	0	2	0	0	1	0	0	12	0	0	0	16
Total	2	0	0	0	0	0	6	0	0	4	0	0	41	0	0	0	53
05:00 PM	1	0	0	0	0	0	3	0	0	1	0	0	11	0	0	0	16
05:15 PM	0	0	0	0	0	0	1	0	0	1	0	0	12	0	0	0	14
05:30 PM	0	0	0	0	0	0	1	0	0	1	0	0	15	0	0	0	17
05:45 PM	0	0	0	0	0	0	2	0	0	1	0	0	12	0	0	0	15
Total	1	0	0	0	0	0	7	0	0	4	0	0	50	0	0	0	62
Grand Total	3	0	0	0	0	0	13	0	0	8	0	0	91	0	0	0	115
Apprch %	100	0	0	0	0	0	100	0	0	100	0	0	100	0	0	0	
Total %	2.6	0	0	0	0	0	11.3	0	0	7	0	0	79.1	0	0	0	



File Name : #12 B 3-4 PM
 Site Code : 00000000
 Start Date : 10/17/2007
 Page No : 2

Start Time	LINDEN AVE Southbound					B 3-4 Westbound					LINDEN AVE Northbound					US50 Eastbound					Int. Total
	Left	Thru	Right	Other	App. Total	Left	Thru	Right	Other	App. Total	Left	Thru	Right	Other	App. Total	Left	Thru	Right	Other	App. Total	
Peak Hour Analysis From 04:00 PM to 05:45 PM - Peak 1 of 1																					
Peak Hour for Entire Intersection Begins at 04:45 PM																					
04:45 PM	1				1	0	0	2	0	2	0	1	0	0	1	12	0	0	0	12	16
05:00 PM	1	0	0	0	1	0	0	3	0	3	0	1	0	0	1	11	0	0	0	11	16
05:15 PM	0	0	0	0	0	0	0	1	0	1	0	1	0	0	1	12	0	0	0	12	14
05:30 PM	0	0	0	0	0	0	0	1	0	1	0	1	0	0	1	15	0	0	0	15	17
Total Volume	2	0	0	0	2	0	0	7	0	7	0	4	0	0	4	50	0	0	0	50	63
% App. Total	100	0	0	0		0	0	100	0		0	100	0	0		100	0	0	0		
PHF	.500	.000	.000	.000	.500	.000	.000	.583	.000	.583	.000	1.000	.000	.000	1.000	.833	.000	.000	.000	.833	.926



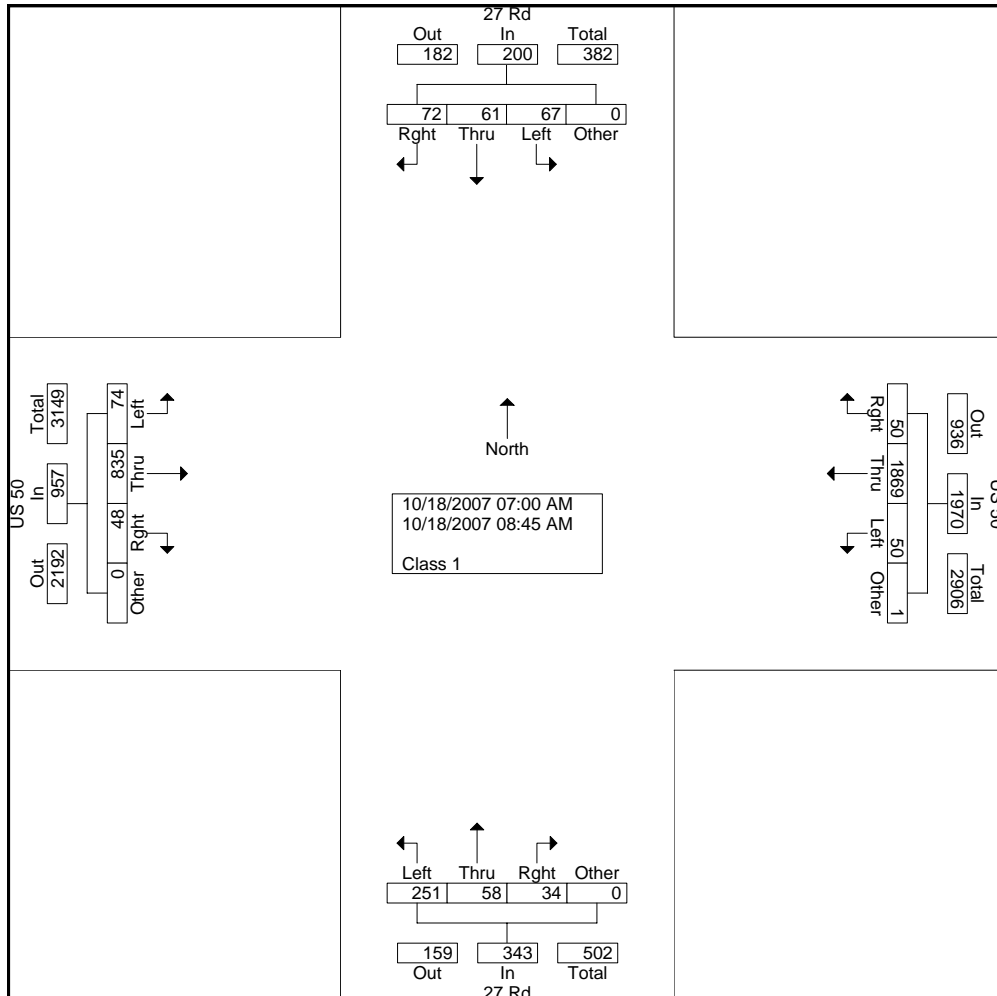


All Traffic Data Services, Inc.
 9660 W. 44th Ave.
 Wheat Ridge, CO 80033

File Name : #13 27 Rd & US 50 AM
 Site Code : 00000000
 Start Date : 10/18/2007
 Page No : 1

Groups Printed- Class 1

Start Time	27 Rd Southbound				US 50 Westbound				27 Rd Northbound				US 50 Eastbound				Int. Total
	Left	Thru	Right	Other	Left	Thru	Right	Other	Left	Thru	Right	Other	Left	Thru	Right	Other	
07:00 AM	10	3	10	0	4	216	9	0	27	5	8	0	3	96	2	0	393
07:15 AM	6	5	13	0	9	223	4	0	38	7	2	0	7	99	2	0	415
07:30 AM	8	8	5	0	8	312	4	0	36	3	2	0	8	112	6	0	512
07:45 AM	8	9	2	0	7	299	9	1	39	5	6	0	12	102	9	0	508
Total	32	25	30	0	28	1050	26	1	140	20	18	0	30	409	19	0	1828
08:00 AM	5	7	12	0	3	213	5	0	26	5	5	0	9	122	7	0	419
08:15 AM	9	10	8	0	5	186	4	0	29	6	7	0	5	112	7	0	388
08:30 AM	14	8	9	0	12	231	6	0	28	12	3	0	16	88	8	0	435
08:45 AM	7	11	13	0	2	189	9	0	28	15	1	0	14	104	7	0	400
Total	35	36	42	0	22	819	24	0	111	38	16	0	44	426	29	0	1642
Grand Total	67	61	72	0	50	1869	50	1	251	58	34	0	74	835	48	0	3470
Apprch %	33.5	30.5	36	0	2.5	94.9	2.5	0.1	73.2	16.9	9.9	0	7.7	87.3	5	0	
Total %	1.9	1.8	2.1	0	1.4	53.9	1.4	0	7.2	1.7	1	0	2.1	24.1	1.4	0	

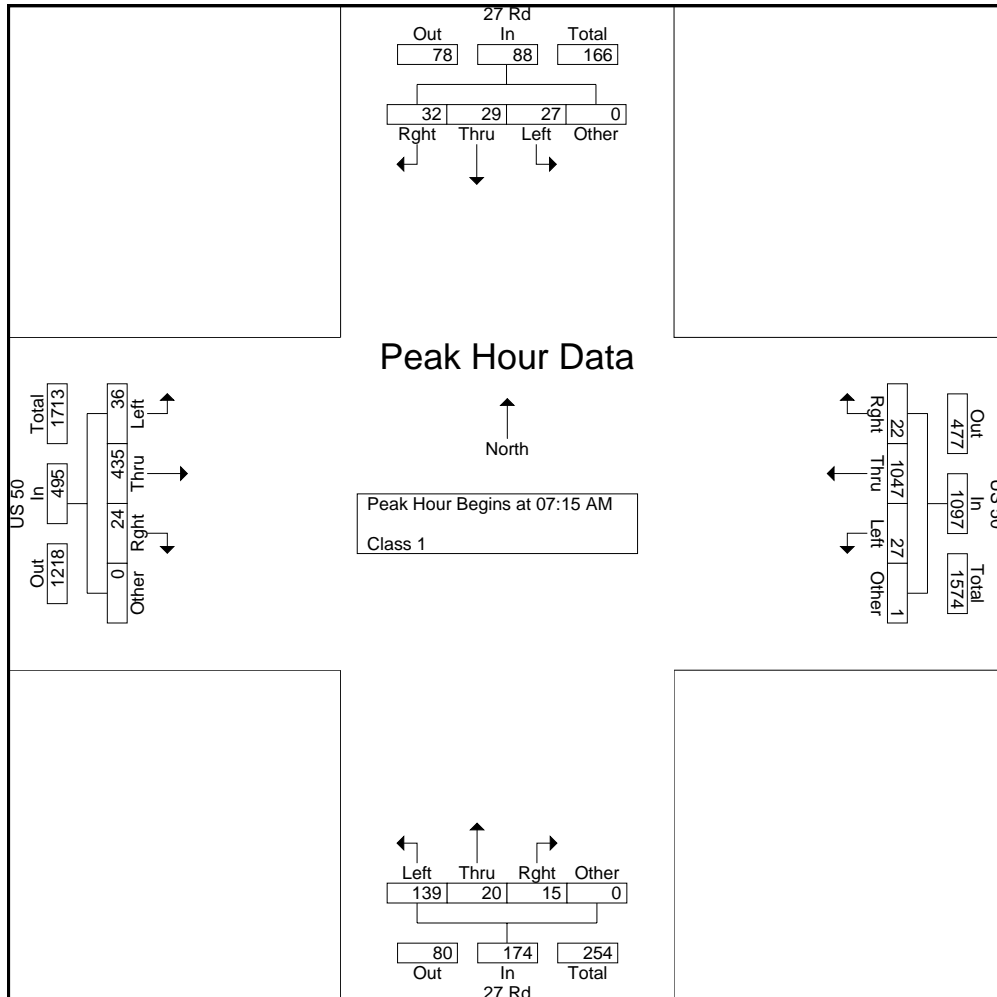




All Traffic Data Services, Inc.
 9660 W. 44th Ave.
 Wheat Ridge, CO 80033

File Name : #13 27 Rd & US 50 AM
 Site Code : 00000000
 Start Date : 10/18/2007
 Page No : 2

Start Time	27 Rd Southbound					US 50 Westbound					27 Rd Northbound					US 50 Eastbound					Int. Total
	Left	Thru	Right	Other	App. Total	Left	Thru	Right	Other	App. Total	Left	Thru	Right	Other	App. Total	Left	Thru	Right	Other	App. Total	
Peak Hour Analysis From 07:00 AM to 08:45 AM - Peak 1 of 1																					
Peak Hour for Entire Intersection Begins at 07:15 AM																					
07:15 AM	6	5	13	0	24	9	223	4	0	236	38	7	2	0	47	7	99	2	0	108	415
07:30 AM	8	8	5	0	21	8	312	4	0	324	36	3	2	0	41	8	112	6	0	126	512
07:45 AM	8	9	2	0	19	7	299	9	1	316	39	5	6	0	50	12	102	9	0	123	508
08:00 AM	5	7	12	0	24	3	213	5	0	221	26	5	5	0	36	9	122	7	0	138	419
Total Volume	27	29	32	0	88	27	1047	22	1	1097	139	20	15	0	174	36	435	24	0	495	1854
% App. Total	30.7	33	36.4	0		2.5	95.4	2	0.1		79.9	11.5	8.6	0		7.3	87.9	4.8	0		
PHF	.844	.806	.615	.000	.917	.750	.839	.611	.250	.846	.891	.714	.625	.000	.870	.750	.891	.667	.000	.897	.905



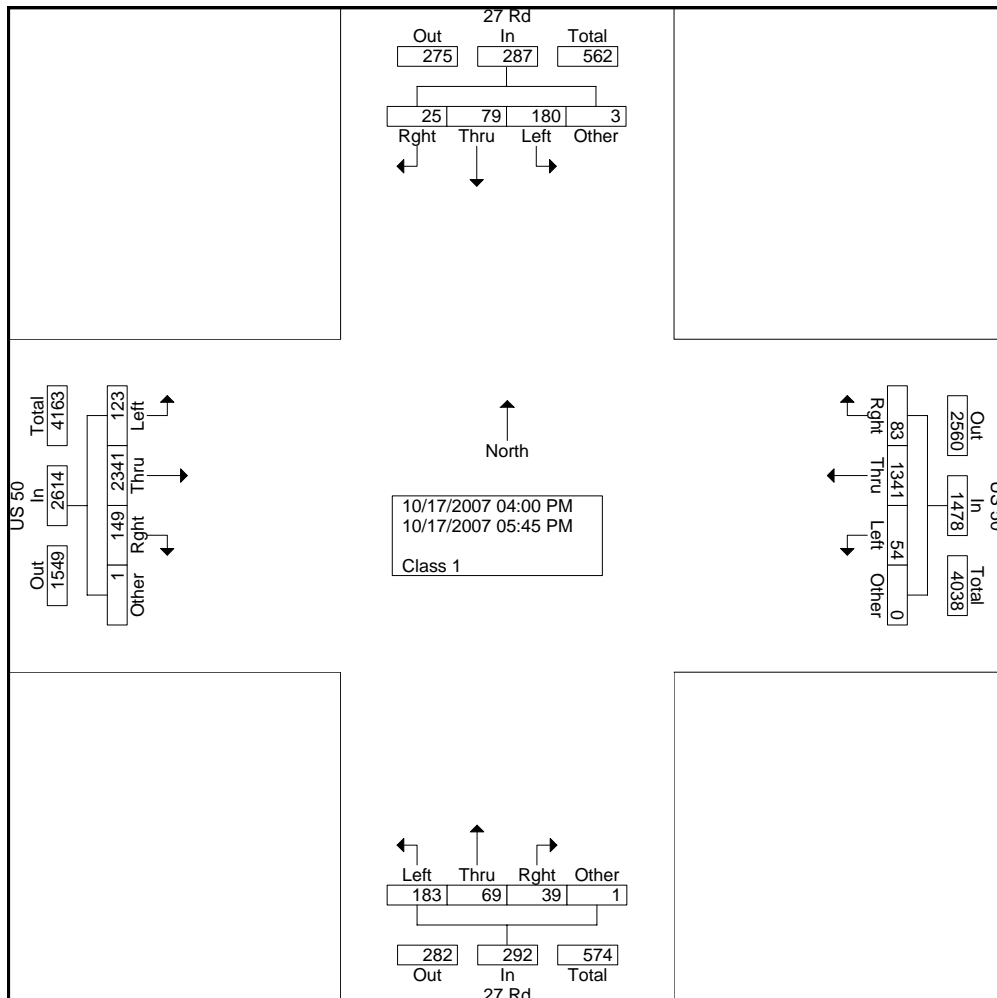


All Traffic Data Services, Inc.
 9660 W. 44th Ave.
 Wheat Ridge, CO 80033

File Name : #13 27 Rd & US 50 PM
 Site Code : 00000000
 Start Date : 10/17/2007
 Page No : 1

Groups Printed- Class 1

Start Time	27 Rd Southbound				US 50 Westbound				27 Rd Northbound				US 50 Eastbound				Int. Total
	Left	Thru	Right	Other	Left	Thru	Right	Other	Left	Thru	Right	Other	Left	Thru	Right	Other	
04:00 PM	32	10	5	0	7	162	5	0	16	4	6	0	12	190	12	0	461
04:15 PM	17	5	2	0	8	173	6	0	25	10	5	0	13	235	20	0	519
04:30 PM	24	10	8	0	6	191	12	0	31	8	5	0	14	284	18	0	611
04:45 PM	22	13	2	0	6	140	10	0	24	11	3	0	18	309	24	0	582
Total	95	38	17	0	27	666	33	0	96	33	19	0	57	1018	74	0	2173
05:00 PM	24	11	1	1	3	165	12	0	24	7	7	0	20	313	19	1	608
05:15 PM	16	8	3	0	5	167	12	0	29	12	4	0	13	345	22	0	636
05:30 PM	20	8	4	2	11	189	18	0	19	12	5	1	14	344	19	0	666
05:45 PM	25	14	0	0	8	154	8	0	15	5	4	0	19	321	15	0	588
Total	85	41	8	3	27	675	50	0	87	36	20	1	66	1323	75	1	2498
Grand Total	180	79	25	3	54	1341	83	0	183	69	39	1	123	2341	149	1	4671
Apprch %	62.7	27.5	8.7	1	3.7	90.7	5.6	0	62.7	23.6	13.4	0.3	4.7	89.6	5.7	0	
Total %	3.9	1.7	0.5	0.1	1.2	28.7	1.8	0	3.9	1.5	0.8	0	2.6	50.1	3.2	0	

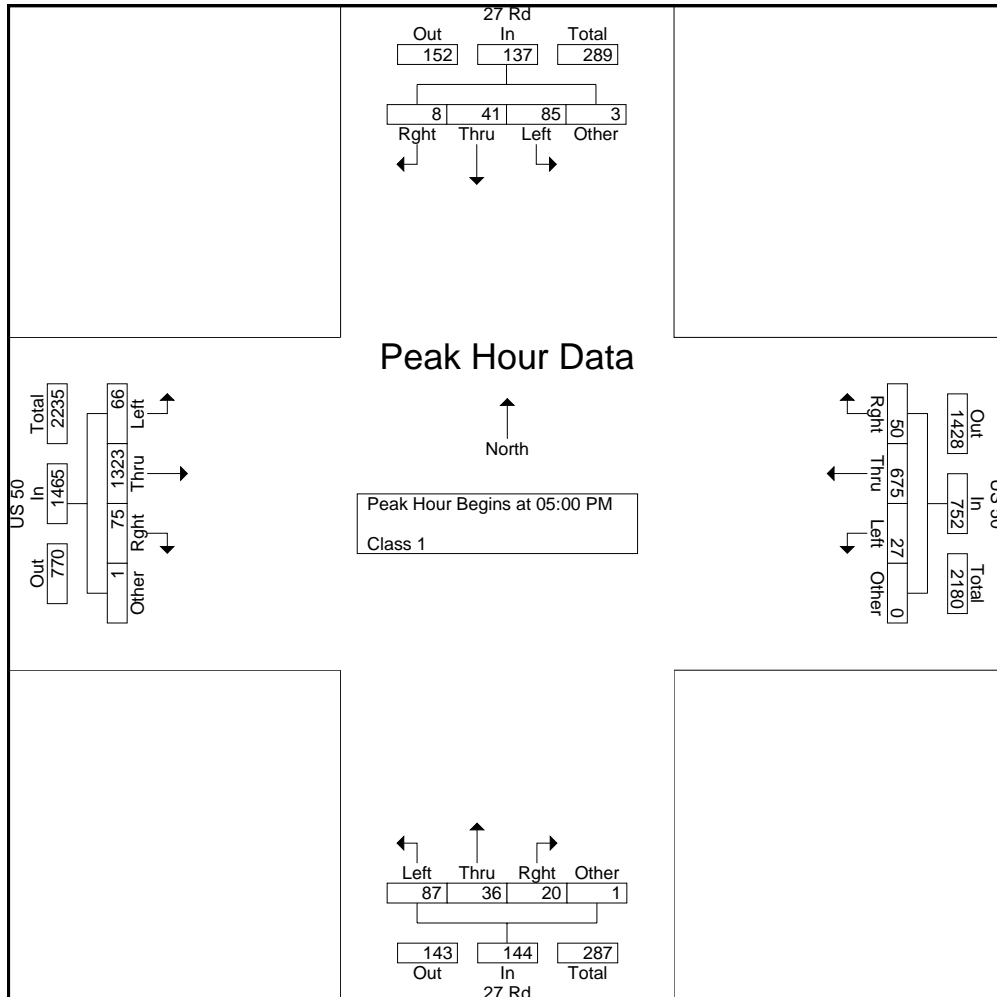




All Traffic Data Services, Inc.
 9660 W. 44th Ave.
 Wheat Ridge, CO 80033

File Name : #13 27 Rd & US 50 PM
 Site Code : 00000000
 Start Date : 10/17/2007
 Page No : 2

Start Time	27 Rd Southbound					US 50 Westbound					27 Rd Northbound					US 50 Eastbound					Int. Total
	Left	Thru	Right	Other	App. Total	Left	Thru	Right	Other	App. Total	Left	Thru	Right	Other	App. Total	Left	Thru	Right	Other	App. Total	
Peak Hour Analysis From 04:00 PM to 05:45 PM - Peak 1 of 1																					
Peak Hour for Entire Intersection Begins at 05:00 PM																					
05:00 PM	24	11	1	1	37	3	165	12	0	180	24	7	7	0	38	20	313	19	1	353	608
05:15 PM	16	8	3	0	27	5	167	12	0	184	29	12	4	0	45	13	345	22	0	380	636
05:30 PM	20	8	4	2	34	11	189	18	0	218	19	12	5	1	37	14	344	19	0	377	666
05:45 PM	25	14	0	0	39	8	154	8	0	170	15	5	4	0	24	19	321	15	0	355	588
Total Volume	85	41	8	3	137	27	675	50	0	752	87	36	20	1	144	66	1323	75	1	1465	2498
% App. Total	62	29.9	5.8	2.2		3.6	89.8	6.6	0		60.4	25	13.9	0.7		4.5	90.3	5.1	0.1		
PHF	.850	.732	.500	.375	.878	.614	.893	.694	.000	.862	.750	.750	.714	.250	.800	.825	.959	.852	.250	.964	.938



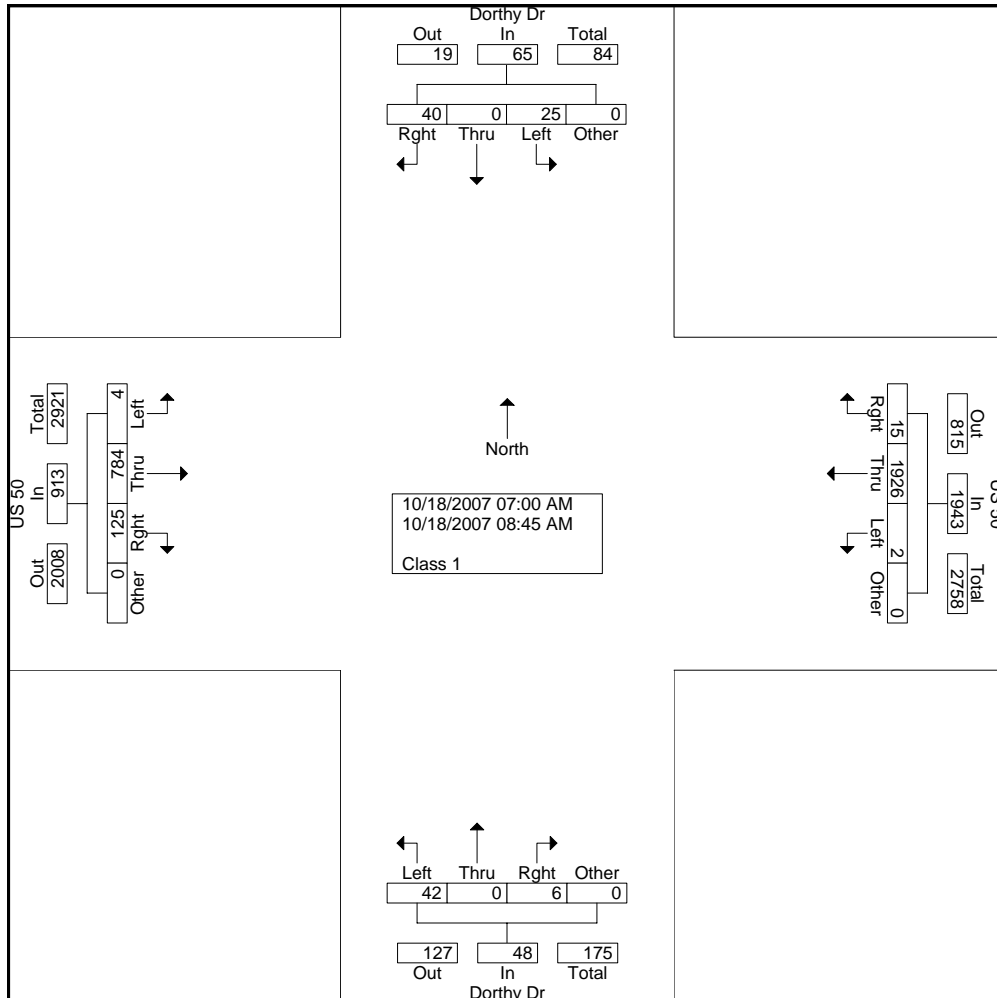


All Traffic Data Services, Inc.
 9660 W. 44th Ave.
 Wheat Ridge, CO 80033

File Name : #14 Dorothy Dr & US 50 AM
 Site Code : 00000000
 Start Date : 10/18/2007
 Page No : 1

Groups Printed- Class 1

Start Time	Dorothy Dr Southbound				US 50 Westbound				Dorothy Dr Northbound				US 50 Eastbound				Int. Total
	Left	Thru	Right	Other	Left	Thru	Right	Other	Left	Thru	Right	Other	Left	Thru	Right	Other	
07:00 AM	0	0	0	0	2	211	2	0	3	0	0	0	1	87	12	0	318
07:15 AM	3	0	7	0	0	233	2	0	11	0	1	0	1	92	21	0	371
07:30 AM	1	0	2	0	0	302	7	0	9	0	1	0	1	112	12	0	447
07:45 AM	6	0	3	0	0	311	0	0	9	0	1	0	0	107	21	0	458
Total	10	0	12	0	2	1057	11	0	32	0	3	0	3	398	66	0	1594
08:00 AM	3	0	8	0	0	224	1	0	4	0	0	0	0	106	12	0	358
08:15 AM	5	0	9	0	0	192	1	0	1	0	2	0	0	104	17	0	331
08:30 AM	5	0	5	0	0	245	2	0	2	0	1	0	0	82	14	0	356
08:45 AM	2	0	6	0	0	208	0	0	3	0	0	0	1	94	16	0	330
Total	15	0	28	0	0	869	4	0	10	0	3	0	1	386	59	0	1375
Grand Total	25	0	40	0	2	1926	15	0	42	0	6	0	4	784	125	0	2969
Apprch %	38.5	0	61.5	0	0.1	99.1	0.8	0	87.5	0	12.5	0	0.4	85.9	13.7	0	
Total %	0.8	0	1.3	0	0.1	64.9	0.5	0	1.4	0	0.2	0	0.1	26.4	4.2	0	

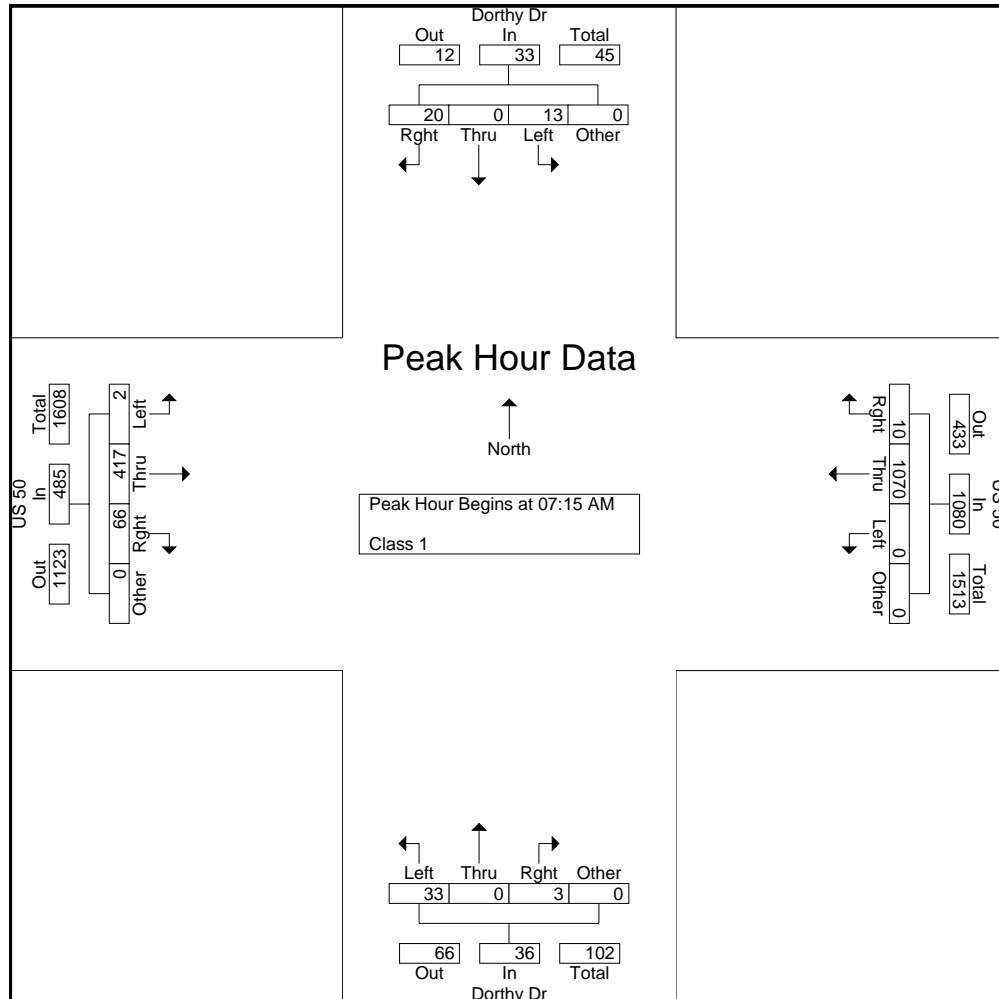




All Traffic Data Services, Inc.
 9660 W. 44th Ave.
 Wheat Ridge, CO 80033

File Name : #14 Dorothy Dr & US 50 AM
 Site Code : 00000000
 Start Date : 10/18/2007
 Page No : 2

Start Time	Dorothy Dr Southbound					US 50 Westbound					Dorothy Dr Northbound					US 50 Eastbound					Int. Total
	Left	Thru	Right	Other	App. Total	Left	Thru	Right	Other	App. Total	Left	Thru	Right	Other	App. Total	Left	Thru	Right	Other	App. Total	
Peak Hour Analysis From 07:00 AM to 08:45 AM - Peak 1 of 1																					
Peak Hour for Entire Intersection Begins at 07:15 AM																					
07:15 AM	3	0	7	0	10	0	233	2	0	235	11	0	1	0	12	1	92	21	0	114	371
07:30 AM	1	0	2	0	3	0	302	7	0	309	9	0	1	0	10	1	112	12	0	125	447
07:45 AM	6	0	3	0	9	0	311	0	0	311	9	0	1	0	10	0	107	21	0	128	458
08:00 AM	3	0	8	0	11	0	224	1	0	225	4	0	0	0	4	0	106	12	0	118	358
Total Volume	13	0	20	0	33	0	1070	10	0	1080	33	0	3	0	36	2	417	66	0	485	1634
% App. Total	39.4	0	60.6	0		0	99.1	0.9	0		91.7	0	8.3	0		0.4	86	13.6	0		
PHF	.542	.000	.625	.000	.750	.000	.860	.357	.000	.868	.750	.000	.750	.000	.750	.500	.931	.786	.000	.947	.892



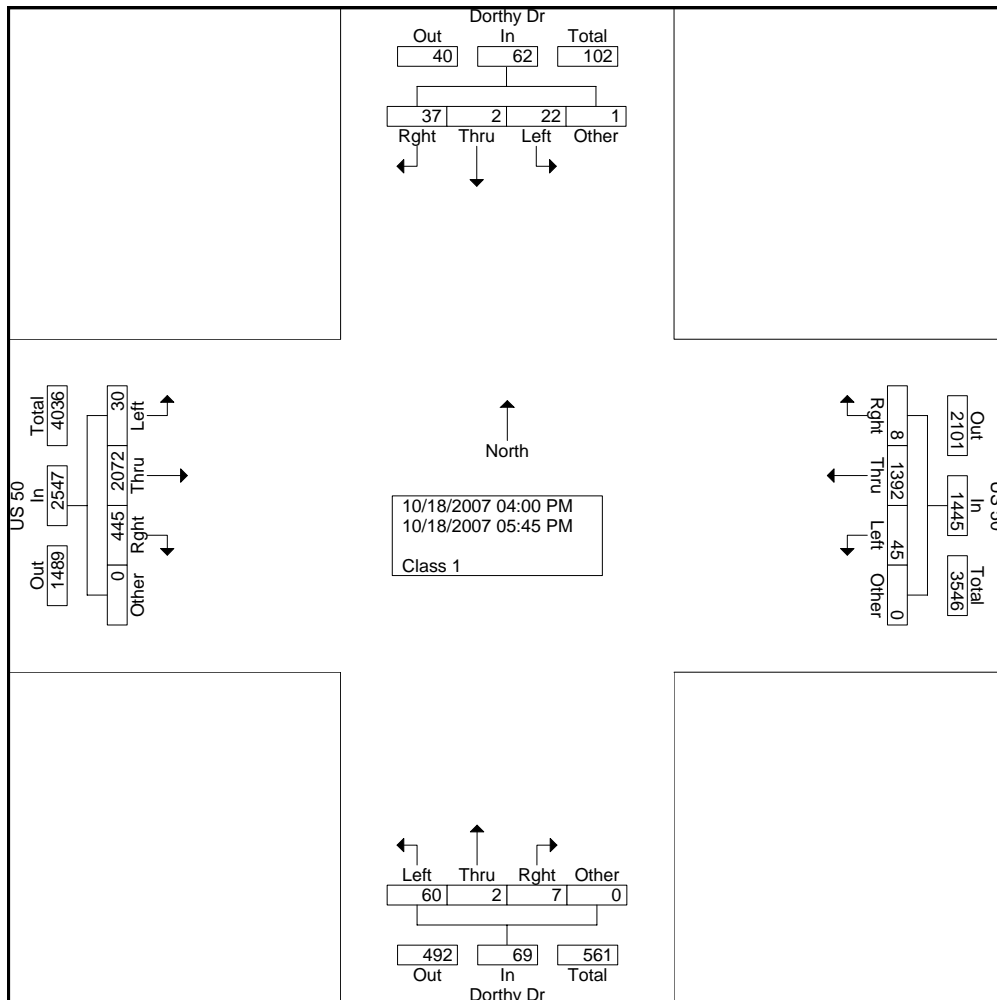


All Traffic Data Services, Inc.
 9660 W. 44th Ave.
 Wheat Ridge, CO 80033

File Name : #14 Dorothy Dr & US 50 PM
 Site Code : 00000000
 Start Date : 10/18/2007
 Page No : 1

Groups Printed- Class 1

Start Time	Dorothy Dr Southbound				US 50 Westbound				Dorothy Dr Northbound				US 50 Eastbound				Int. Total
	Left	Thru	Right	Other	Left	Thru	Right	Other	Left	Thru	Right	Other	Left	Thru	Right	Other	
04:00 PM	4	0	5	1	3	170	3	0	3	0	0	0	2	188	40	0	419
04:15 PM	3	0	6	0	2	171	0	0	9	1	1	0	3	202	52	0	450
04:30 PM	1	1	2	0	5	202	1	0	7	0	0	0	2	274	36	0	531
04:45 PM	5	0	6	0	6	149	1	0	11	0	0	0	5	270	52	0	505
Total	13	1	19	1	16	692	5	0	30	1	1	0	12	934	180	0	1905
05:00 PM	4	0	4	0	6	164	1	0	8	1	2	0	2	277	69	0	538
05:15 PM	2	1	6	0	8	165	0	0	5	0	2	0	6	278	70	0	543
05:30 PM	2	0	5	0	8	204	0	0	8	0	1	0	5	299	58	0	590
05:45 PM	1	0	3	0	7	167	2	0	9	0	1	0	5	284	68	0	547
Total	9	1	18	0	29	700	3	0	30	1	6	0	18	1138	265	0	2218
Grand Total	22	2	37	1	45	1392	8	0	60	2	7	0	30	2072	445	0	4123
Apprch %	35.5	3.2	59.7	1.6	3.1	96.3	0.6	0	87	2.9	10.1	0	1.2	81.4	17.5	0	
Total %	0.5	0	0.9	0	1.1	33.8	0.2	0	1.5	0	0.2	0	0.7	50.3	10.8	0	

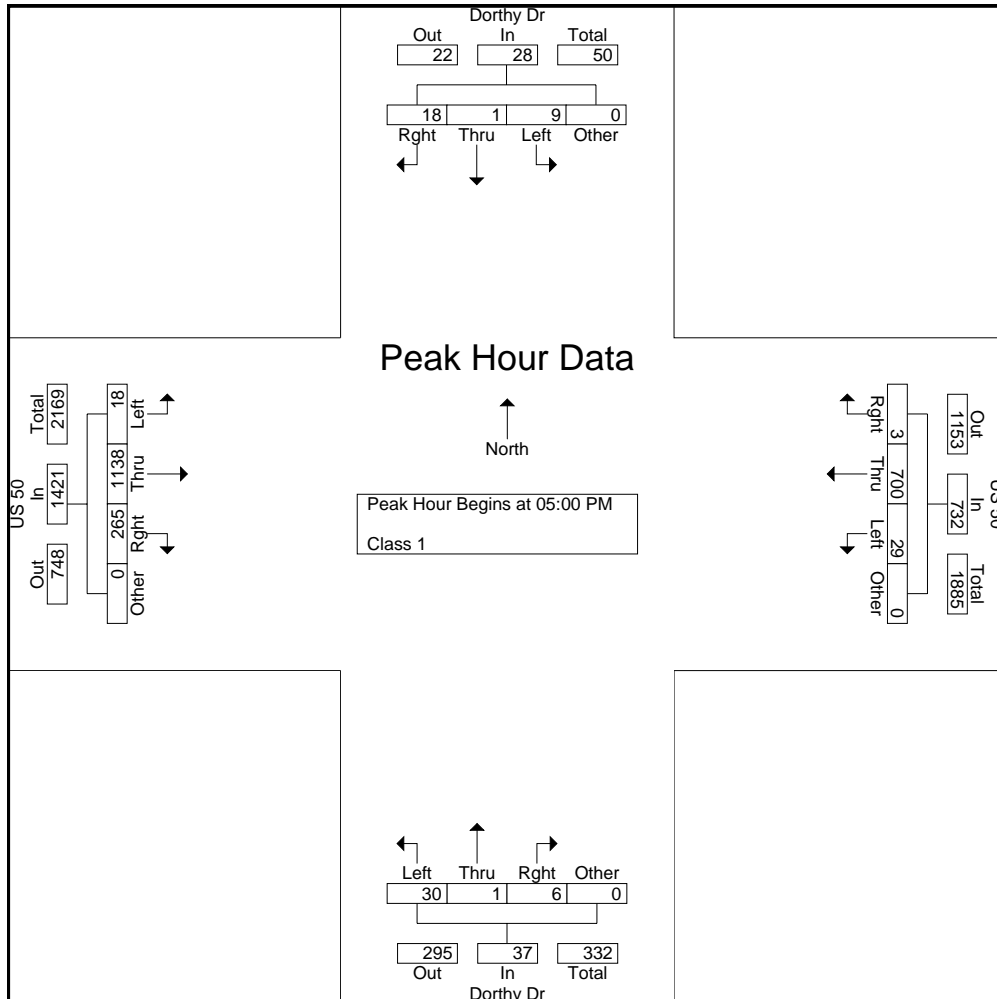




All Traffic Data Services, Inc.
 9660 W. 44th Ave.
 Wheat Ridge, CO 80033

File Name : #14 Dorothy Dr & US 50 PM
 Site Code : 00000000
 Start Date : 10/18/2007
 Page No : 2

Start Time	Dorothy Dr Southbound					US 50 Westbound					Dorothy Dr Northbound					US 50 Eastbound					Int. Total
	Left	Thru	Right	Other	App. Total	Left	Thru	Right	Other	App. Total	Left	Thru	Right	Other	App. Total	Left	Thru	Right	Other	App. Total	
Peak Hour Analysis From 04:00 PM to 05:45 PM - Peak 1 of 1																					
Peak Hour for Entire Intersection Begins at 05:00 PM																					
05:00 PM	4	0	4	0	8	6	164	1	0	171	8	1	2	0	11	2	277	69	0	348	538
05:15 PM	2	1	6	0	9	8	165	0	0	173	5	0	2	0	7	6	278	70	0	354	543
05:30 PM	2	0	5	0	7	8	204	0	0	212	8	0	1	0	9	5	299	58	0	362	590
05:45 PM	1	0	3	0	4	7	167	2	0	176	9	0	1	0	10	5	284	68	0	357	547
Total Volume	9	1	18	0	28	29	700	3	0	732	30	1	6	0	37	18	1138	265	0	1421	2218
% App. Total	32.1	3.6	64.3	0		4	95.6	0.4	0		81.1	2.7	16.2	0		1.3	80.1	18.6	0		
PHF	.563	.250	.750	.000	.778	.906	.858	.375	.000	.863	.833	.250	.750	.000	.841	.750	.952	.946	.000	.981	.940



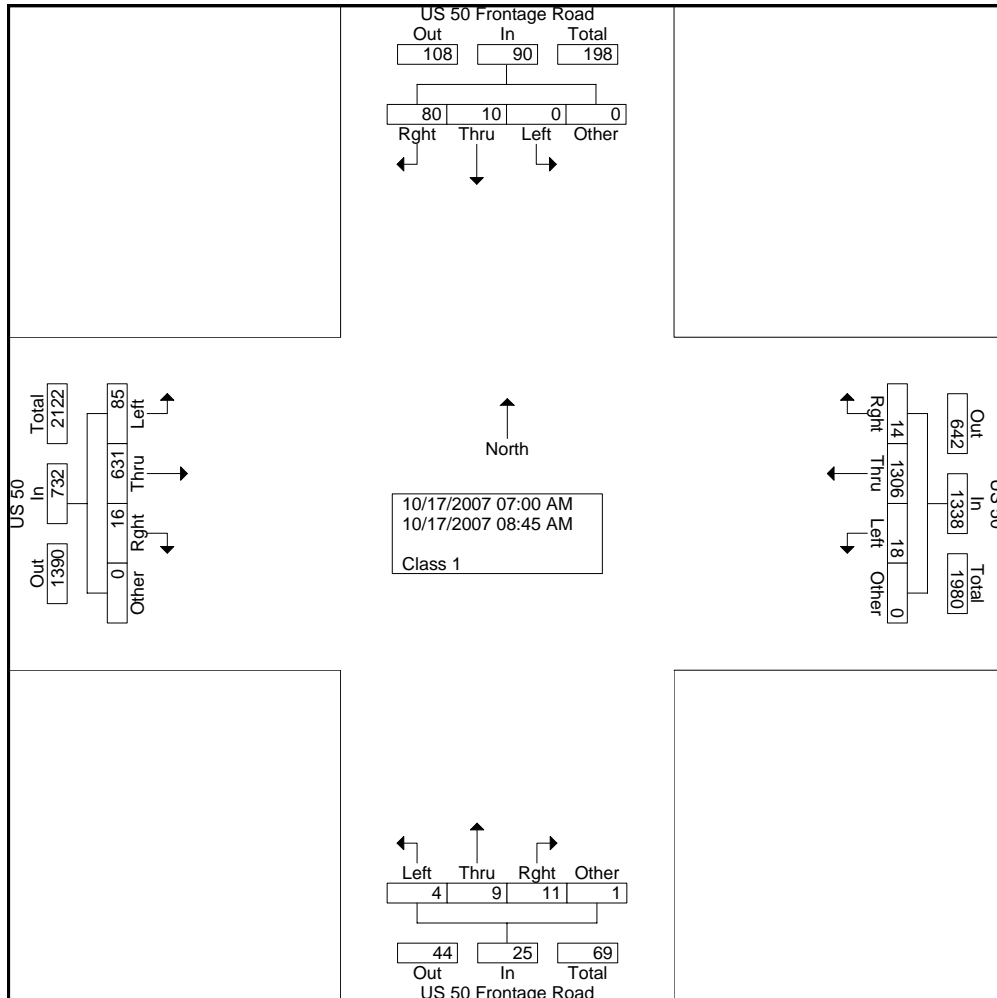


All Traffic Data Services, Inc.
 9660 W. 44th Ave.
 Wheat Ridge, CO 80033

File Name : #15 Frontage Road & US 50 AM
 Site Code : 00000000
 Start Date : 10/17/2007
 Page No : 1

Groups Printed- Class 1

Start Time	US 50 Frontage Road Southbound				US 50 Westbound				US 50 Frontage Road Northbound				US 50 Eastbound				Int. Total
	Left	Thru	Right	Other	Left	Thru	Right	Other	Left	Thru	Right	Other	Left	Thru	Right	Other	
07:00 AM	0	1	6	0	0	141	2	0	0	0	0	0	7	64	0	0	221
07:15 AM	0	0	16	0	3	182	5	0	1	0	0	0	6	63	1	0	277
07:30 AM	0	2	13	0	2	223	2	0	2	1	1	0	12	84	5	0	347
07:45 AM	0	2	8	0	6	199	1	0	1	2	1	1	15	73	5	0	314
Total	0	5	43	0	11	745	10	0	4	3	2	1	40	284	11	0	1159
08:00 AM	0	1	8	0	4	137	1	0	0	1	1	0	7	86	4	0	250
08:15 AM	0	1	9	0	0	133	1	0	0	1	3	0	10	98	1	0	257
08:30 AM	0	1	13	0	0	144	1	0	0	2	5	0	16	77	0	0	259
08:45 AM	0	2	7	0	3	147	1	0	0	2	0	0	12	86	0	0	260
Total	0	5	37	0	7	561	4	0	0	6	9	0	45	347	5	0	1026
Grand Total	0	10	80	0	18	1306	14	0	4	9	11	1	85	631	16	0	2185
Apprch %	0	11.1	88.9	0	1.3	97.6	1	0	16	36	44	4	11.6	86.2	2.2	0	
Total %	0	0.5	3.7	0	0.8	59.8	0.6	0	0.2	0.4	0.5	0	3.9	28.9	0.7	0	

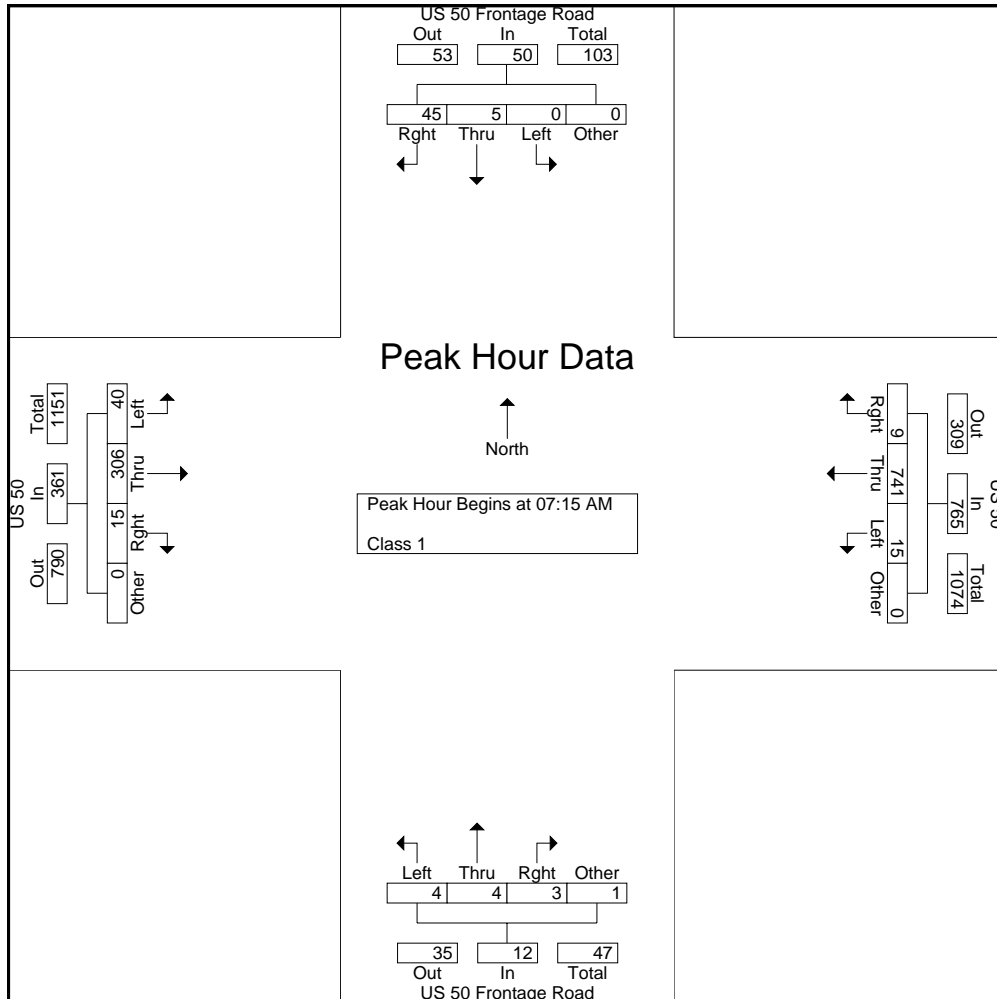




All Traffic Data Services, Inc.
 9660 W. 44th Ave.
 Wheat Ridge, CO 80033

File Name : #15 Frontage Road & US 50 AM
 Site Code : 00000000
 Start Date : 10/17/2007
 Page No : 2

Start Time	US 50 Frontage Road Southbound					US 50 Westbound					US 50 Frontage Road Northbound					US 50 Eastbound					Int. Total
	Left	Thru	Right	Other	App. Total	Left	Thru	Right	Other	App. Total	Left	Thru	Right	Other	App. Total	Left	Thru	Right	Other	App. Total	
Peak Hour Analysis From 07:00 AM to 08:45 AM - Peak 1 of 1																					
Peak Hour for Entire Intersection Begins at 07:15 AM																					
07:15 AM	0	0	16	0	16	3	182	5	0	190	1	0	0	0	1	6	63	1	0	70	277
07:30 AM	0	2	13	0	15	2	223	2	0	227	2	1	1	0	4	12	84	5	0	101	347
07:45 AM	0	2	8	0	10	6	199	1	0	206	1	2	1	1	5	15	73	5	0	93	314
08:00 AM	0	1	8	0	9	4	137	1	0	142	0	1	1	0	2	7	86	4	0	97	250
Total Volume	0	5	45	0	50	15	741	9	0	765	4	4	3	1	12	40	306	15	0	361	1188
% App. Total	0	10	90	0		2	96.9	1.2	0		33.3	33.3	25	8.3		11.1	84.8	4.2	0		
PHF	.000	.625	.703	.000	.781	.625	.831	.450	.000	.843	.500	.500	.750	.250	.600	.667	.890	.750	.000	.894	.856



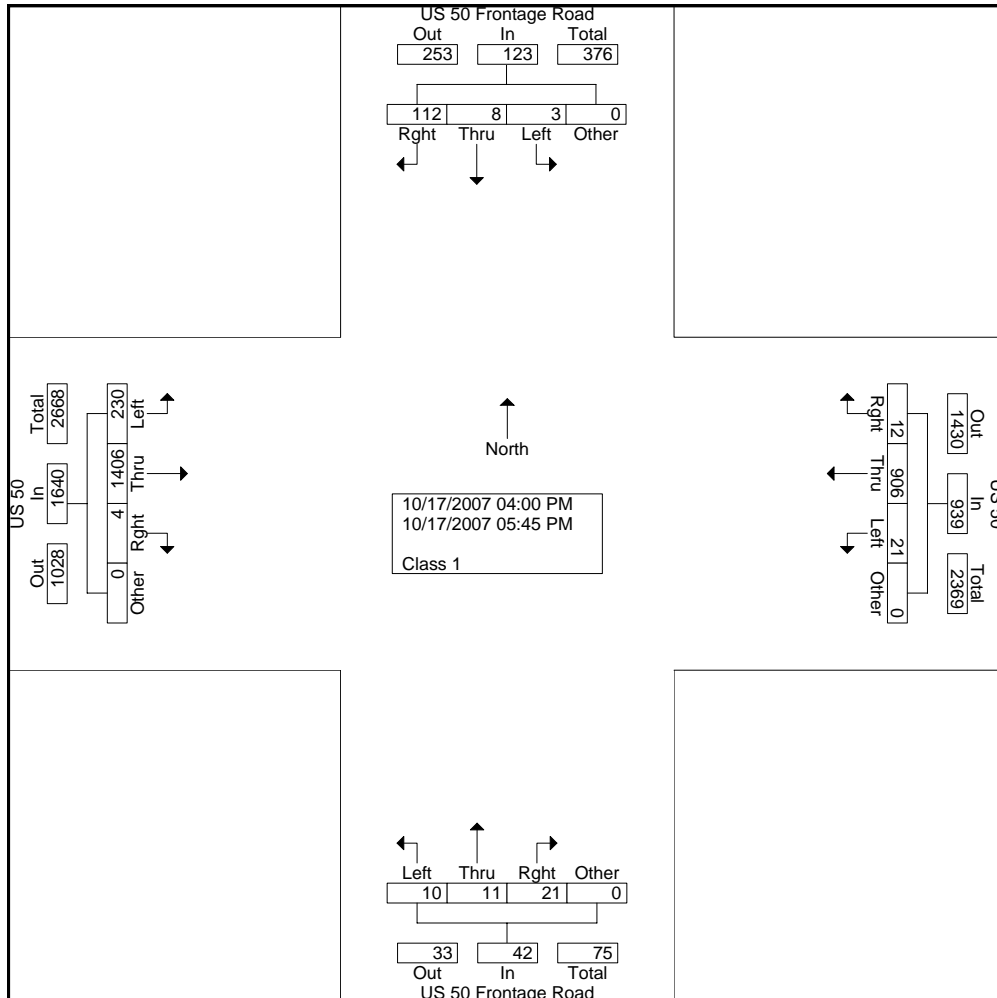


All Traffic Data Services, Inc.
 9660 W. 44th Ave.
 Wheat Ridge, CO 80033

File Name : #15 Frontage Road & US 50 PM
 Site Code : 00000000
 Start Date : 10/17/2007
 Page No : 1

Groups Printed- Class 1

Start Time	US 50 Frontage Road Southbound				US 50 Westbound				US 50 Frontage Road Northbound				US 50 Eastbound				Int. Total
	Left	Thru	Right	Other	Left	Thru	Right	Other	Left	Thru	Right	Other	Left	Thru	Right	Other	
04:00 PM	1	0	13	0	3	124	3	0	1	0	5	0	26	145	1	0	322
04:15 PM	0	1	17	0	2	101	2	0	0	2	0	0	33	160	1	0	319
04:30 PM	0	2	15	0	4	108	2	0	2	3	5	0	29	175	0	0	345
04:45 PM	0	1	14	0	1	121	1	0	3	0	6	0	27	179	1	0	354
Total	1	4	59	0	10	454	8	0	6	5	16	0	115	659	3	0	1340
05:00 PM	0	1	10	0	2	125	1	0	0	1	1	0	21	180	0	0	342
05:15 PM	0	2	14	0	3	111	2	0	0	3	1	0	30	209	0	0	375
05:30 PM	1	1	19	0	4	118	0	0	3	0	1	0	46	158	0	0	351
05:45 PM	1	0	10	0	2	98	1	0	1	2	2	0	18	200	1	0	336
Total	2	4	53	0	11	452	4	0	4	6	5	0	115	747	1	0	1404
Grand Total	3	8	112	0	21	906	12	0	10	11	21	0	230	1406	4	0	2744
Apprch %	2.4	6.5	91.1	0	2.2	96.5	1.3	0	23.8	26.2	50	0	14	85.7	0.2	0	
Total %	0.1	0.3	4.1	0	0.8	33	0.4	0	0.4	0.4	0.8	0	8.4	51.2	0.1	0	

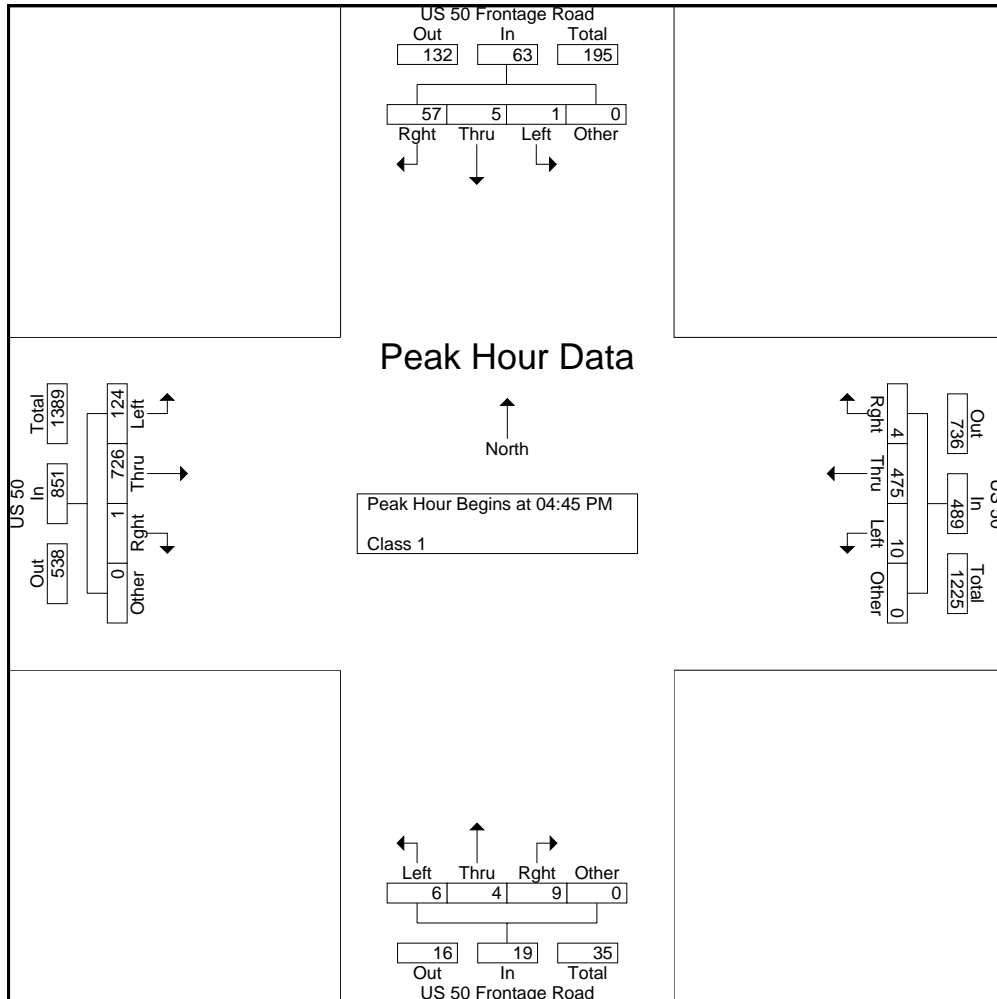




All Traffic Data Services, Inc.
 9660 W. 44th Ave.
 Wheat Ridge, CO 80033

File Name : #15 Frontage Road & US 50 PM
 Site Code : 00000000
 Start Date : 10/17/2007
 Page No : 2

Start Time	US 50 Frontage Road Southbound					US 50 Westbound					US 50 Frontage Road Northbound					US 50 Eastbound					Int. Total
	Left	Thru	Right	Other	App. Total	Left	Thru	Right	Other	App. Total	Left	Thru	Right	Other	App. Total	Left	Thru	Right	Other	App. Total	
Peak Hour Analysis From 04:00 PM to 05:45 PM - Peak 1 of 1																					
Peak Hour for Entire Intersection Begins at 04:45 PM																					
04:45 PM	0	1	14	0	15	1	121	1	0	123	3	0	6	0	9	27	179	1	0	207	354
05:00 PM	0	1	10	0	11	2	125	1	0	128	0	1	1	0	2	21	180	0	0	201	342
05:15 PM	0	2	14	0	16	3	111	2	0	116	0	3	1	0	4	30	209	0	0	239	375
05:30 PM	1	1	19	0	21	4	118	0	0	122	3	0	1	0	4	46	158	0	0	204	351
Total Volume	1	5	57	0	63	10	475	4	0	489	6	4	9	0	19	124	726	1	0	851	1422
% App. Total	1.6	7.9	90.5	0		2	97.1	0.8	0		31.6	21.1	47.4	0		14.6	85.3	0.1	0		
PHF	.250	.625	.750	.000	.750	.625	.950	.500	.000	.955	.500	.333	.375	.000	.528	.674	.868	.250	.000	.890	.948



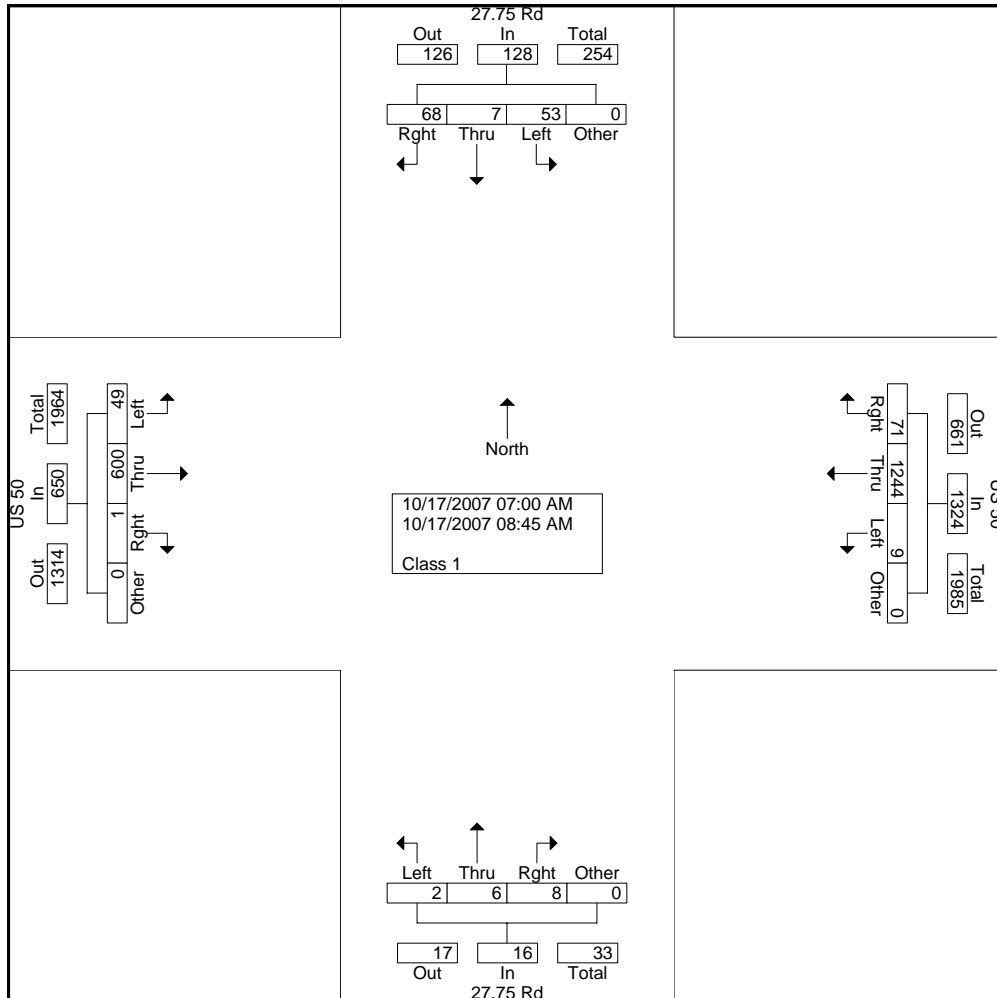


All Traffic Data Services, Inc.
 9660 W. 44th Ave.
 Wheat Ridge, CO 80033

File Name : #16 27.75 Rd & US 50 AM
 Site Code : 00000000
 Start Date : 10/17/2007
 Page No : 1

Groups Printed- Class 1

Start Time	27.75 Rd Southbound				US 50 Westbound				27.75 Rd Northbound				US 50 Eastbound				Int. Total
	Left	Thru	Right	Other	Left	Thru	Right	Other	Left	Thru	Right	Other	Left	Thru	Right	Other	
07:00 AM	4	0	8	0	0	129	5	0	0	0	0	0	4	59	0	0	209
07:15 AM	5	0	5	0	1	184	3	0	0	0	0	0	4	72	0	0	274
07:30 AM	4	2	16	0	2	205	10	0	0	0	1	0	7	65	0	0	312
07:45 AM	7	1	6	0	4	199	7	0	1	1	0	0	3	75	0	0	304
Total	20	3	35	0	7	717	25	0	1	1	1	0	18	271	0	0	1099
08:00 AM	8	1	7	0	2	139	10	0	0	5	3	0	7	81	0	0	263
08:15 AM	8	1	8	0	0	135	11	0	0	0	0	0	5	105	0	0	273
08:30 AM	8	1	7	0	0	123	11	0	0	0	3	0	10	70	0	0	233
08:45 AM	9	1	11	0	0	130	14	0	1	0	1	0	9	73	1	0	250
Total	33	4	33	0	2	527	46	0	1	5	7	0	31	329	1	0	1019
Grand Total	53	7	68	0	9	1244	71	0	2	6	8	0	49	600	1	0	2118
Apprch %	41.4	5.5	53.1	0	0.7	94	5.4	0	12.5	37.5	50	0	7.5	92.3	0.2	0	
Total %	2.5	0.3	3.2	0	0.4	58.7	3.4	0	0.1	0.3	0.4	0	2.3	28.3	0	0	

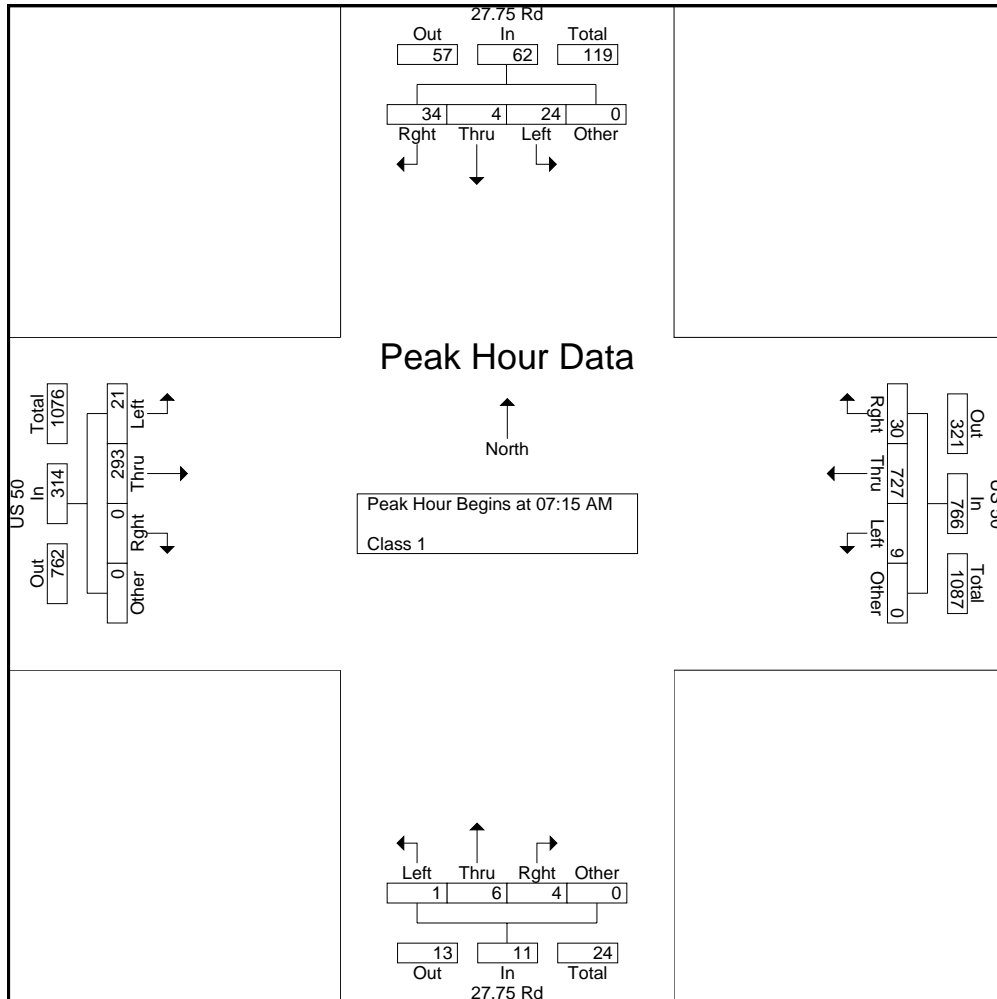




All Traffic Data Services, Inc.
 9660 W. 44th Ave.
 Wheat Ridge, CO 80033

File Name : #16 27.75 Rd & US 50 AM
 Site Code : 00000000
 Start Date : 10/17/2007
 Page No : 2

Start Time	27.75 Rd Southbound					US 50 Westbound					27.75 Rd Northbound					US 50 Eastbound					Int. Total
	Left	Thru	Right	Other	App. Total	Left	Thru	Right	Other	App. Total	Left	Thru	Right	Other	App. Total	Left	Thru	Right	Other	App. Total	
Peak Hour Analysis From 07:00 AM to 08:45 AM - Peak 1 of 1																					
Peak Hour for Entire Intersection Begins at 07:15 AM																					
07:15 AM	5	0	5	0	10	1	184	3	0	188	0	0	0	0	0	4	72	0	0	76	274
07:30 AM	4	2	16	0	22	2	205	10	0	217	0	0	1	0	1	7	65	0	0	72	312
07:45 AM	7	1	6	0	14	4	199	7	0	210	1	1	0	0	2	3	75	0	0	78	304
08:00 AM	8	1	7	0	16	2	139	10	0	151	0	5	3	0	8	7	81	0	0	88	263
Total Volume	24	4	34	0	62	9	727	30	0	766	1	6	4	0	11	21	293	0	0	314	1153
% App. Total	38.7	6.5	54.8	0		1.2	94.9	3.9	0		9.1	54.5	36.4	0		6.7	93.3	0	0		
PHF	.750	.500	.531	.000	.705	.563	.887	.750	.000	.882	.250	.300	.333	.000	.344	.750	.904	.000	.000	.892	.924



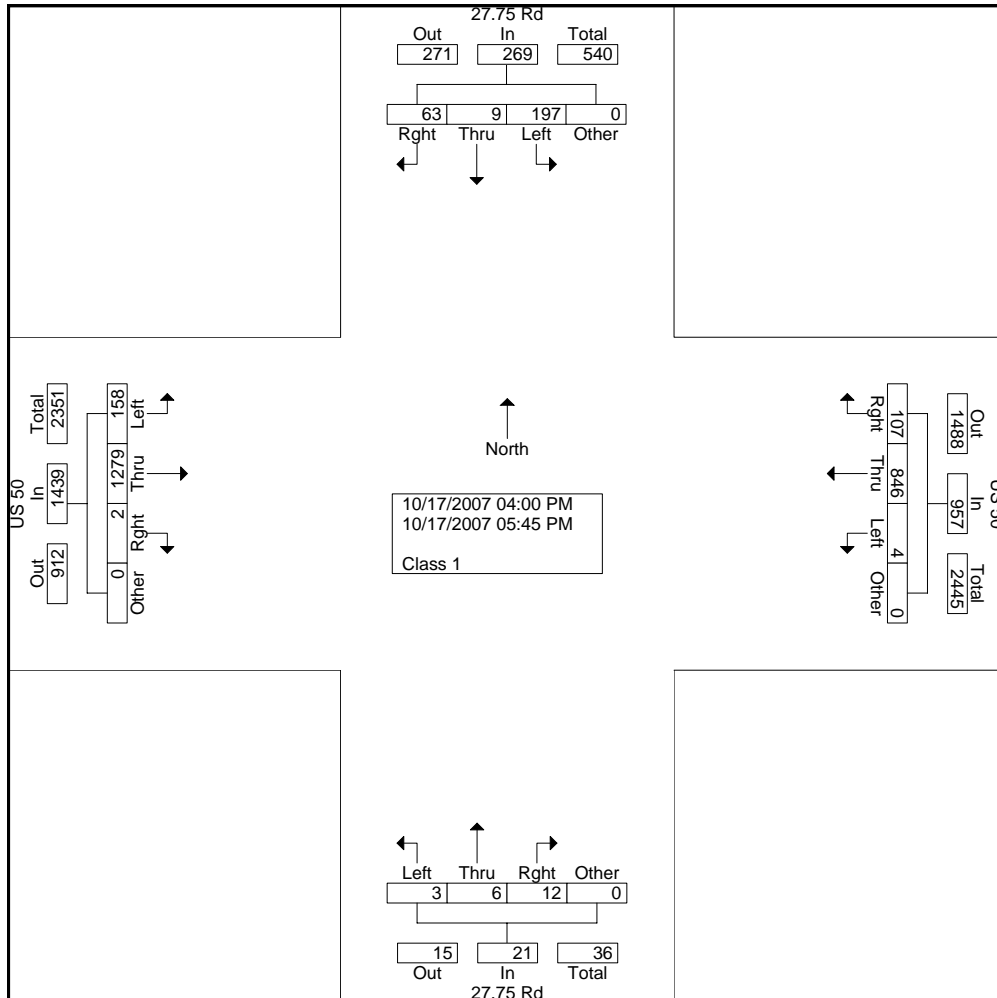


All Traffic Data Services, Inc.
 9660 W. 44th Ave.
 Wheat Ridge, CO 80033

File Name : #16 27.75 Rd & US 50 PM
 Site Code : 00000000
 Start Date : 10/17/2007
 Page No : 1

Groups Printed- Class 1

Start Time	27.75 Rd Southbound				US 50 Westbound				27.75 Rd Northbound				US 50 Eastbound				Int. Total
	Left	Thru	Right	Other	Left	Thru	Right	Other	Left	Thru	Right	Other	Left	Thru	Right	Other	
04:00 PM	16	0	7	0	2	121	13	0	0	0	1	0	19	129	0	0	308
04:15 PM	30	0	8	0	0	90	19	0	2	1	0	0	20	146	0	0	316
04:30 PM	36	1	8	0	0	100	12	0	0	0	2	0	17	162	0	0	338
04:45 PM	28	3	5	0	0	123	17	0	1	0	2	0	19	167	1	0	366
Total	110	4	28	0	2	434	61	0	3	1	5	0	75	604	1	0	1328
05:00 PM	25	0	6	0	0	113	11	0	0	0	1	0	25	159	0	0	340
05:15 PM	24	2	13	0	0	98	9	0	0	1	5	0	22	190	1	0	365
05:30 PM	22	1	11	0	0	108	13	0	0	1	1	0	14	145	0	0	316
05:45 PM	16	2	5	0	2	93	13	0	0	3	0	0	22	181	0	0	337
Total	87	5	35	0	2	412	46	0	0	5	7	0	83	675	1	0	1358
Grand Total	197	9	63	0	4	846	107	0	3	6	12	0	158	1279	2	0	2686
Apprch %	73.2	3.3	23.4	0	0.4	88.4	11.2	0	14.3	28.6	57.1	0	11	88.9	0.1	0	
Total %	7.3	0.3	2.3	0	0.1	31.5	4	0	0.1	0.2	0.4	0	5.9	47.6	0.1	0	

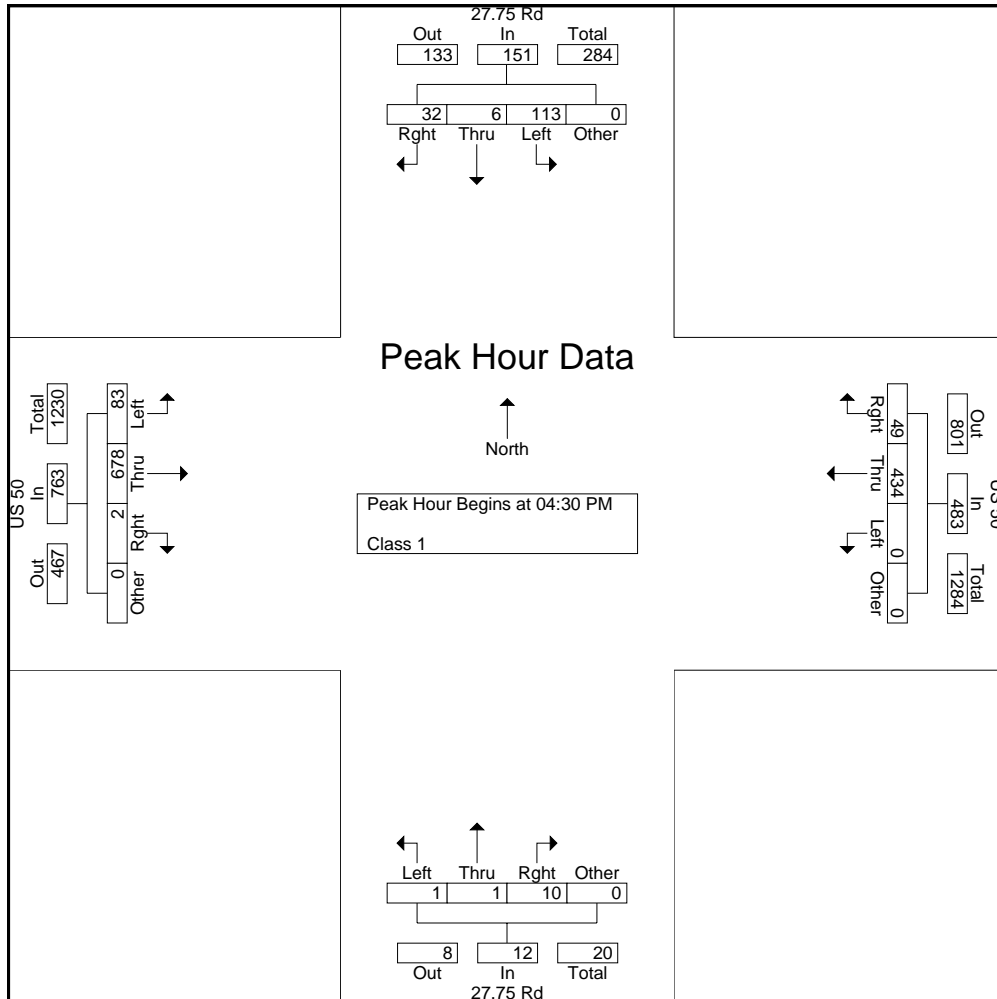




All Traffic Data Services, Inc.
 9660 W. 44th Ave.
 Wheat Ridge, CO 80033

File Name : #16 27.75 Rd & US 50 PM
 Site Code : 00000000
 Start Date : 10/17/2007
 Page No : 2

Start Time	27.75 Rd Southbound					US 50 Westbound					27.75 Rd Northbound					US 50 Eastbound					Int. Total
	Left	Thru	Right	Other	App. Total	Left	Thru	Right	Other	App. Total	Left	Thru	Right	Other	App. Total	Left	Thru	Right	Other	App. Total	
Peak Hour Analysis From 04:00 PM to 05:45 PM - Peak 1 of 1																					
Peak Hour for Entire Intersection Begins at 04:30 PM																					
04:30 PM	36	1	8	0	45	0	100	12	0	112	0	0	2	0	2	17	162	0	0	179	338
04:45 PM	28	3	5	0	36	0	123	17	0	140	1	0	2	0	3	19	167	1	0	187	366
05:00 PM	25	0	6	0	31	0	113	11	0	124	0	0	1	0	1	25	159	0	0	184	340
05:15 PM	24	2	13	0	39	0	98	9	0	107	0	1	5	0	6	22	190	1	0	213	365
Total Volume	113	6	32	0	151	0	434	49	0	483	1	1	10	0	12	83	678	2	0	763	1409
% App. Total	74.8	4	21.2	0		0	89.9	10.1	0		8.3	8.3	83.3	0		10.9	88.9	0.3	0		
PHF	.785	.500	.615	.000	.839	.000	.882	.721	.000	.863	.250	.250	.500	.000	.500	.830	.892	.500	.000	.896	.962



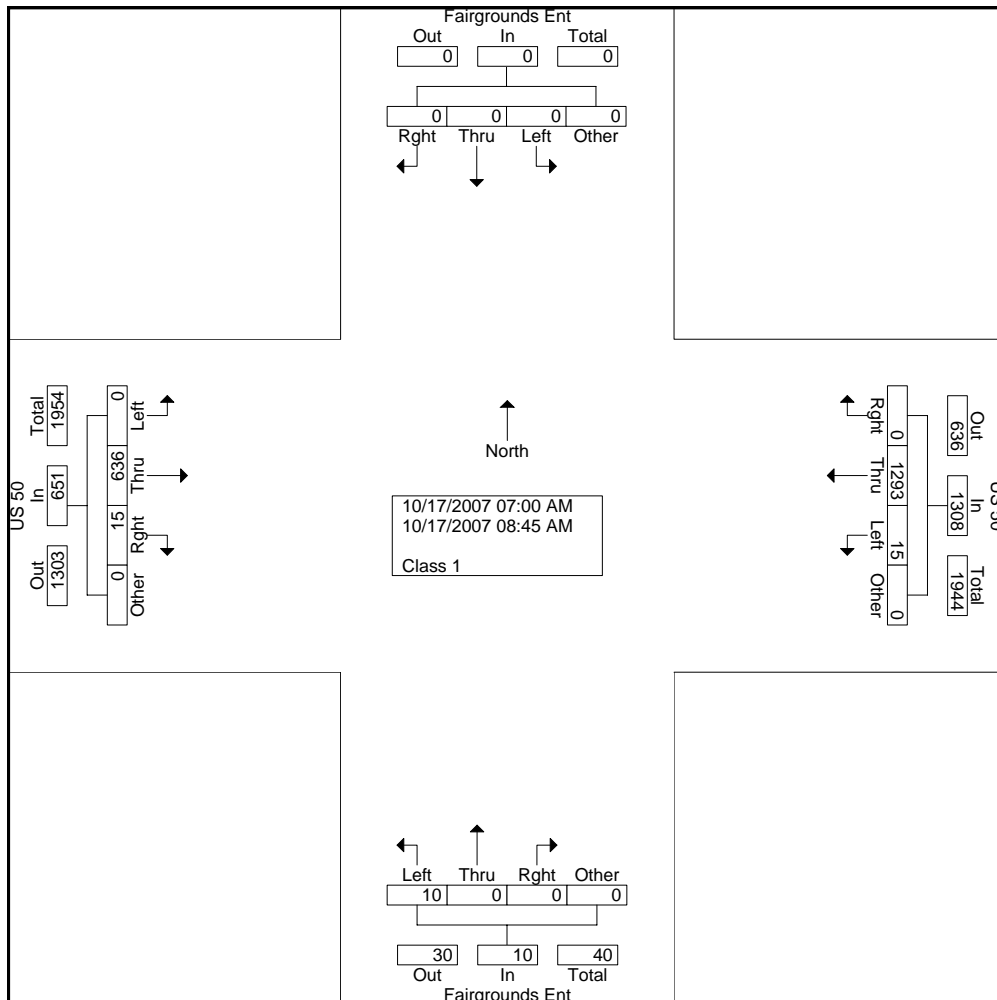


All Traffic Data Services, Inc.
 9660 W. 44th Ave.
 Wheat Ridge, CO 80033

File Name : #17 Fairgrounds & US 50 AM
 Site Code : 00000000
 Start Date : 10/17/2007
 Page No : 1

Groups Printed- Class 1

Start Time	Fairgrounds Ent Southbound				US 50 Westbound				Fairgrounds Ent Northbound				US 50 Eastbound				Int. Total
	Left	Thru	Right	Other	Left	Thru	Right	Other	Left	Thru	Right	Other	Left	Thru	Right	Other	
07:00 AM	0	0	0	0	1	157	0	0	0	0	0	0	0	60	1	0	219
07:15 AM	0	0	0	0	3	180	0	0	0	0	0	0	0	70	0	0	253
07:30 AM	0	0	0	0	2	216	0	0	1	0	0	0	0	67	1	0	287
07:45 AM	0	0	0	0	2	202	0	0	2	0	0	0	0	77	2	0	285
Total	0	0	0	0	8	755	0	0	3	0	0	0	0	274	4	0	1044
08:00 AM	0	0	0	0	1	141	0	0	3	0	0	0	0	88	3	0	236
08:15 AM	0	0	0	0	2	135	0	0	1	0	0	0	0	108	1	0	247
08:30 AM	0	0	0	0	1	131	0	0	1	0	0	0	0	80	1	0	214
08:45 AM	0	0	0	0	3	131	0	0	2	0	0	0	0	86	6	0	228
Total	0	0	0	0	7	538	0	0	7	0	0	0	0	362	11	0	925
Grand Total	0	0	0	0	15	1293	0	0	10	0	0	0	0	636	15	0	1969
Apprch %	0	0	0	0	1.1	98.9	0	0	100	0	0	0	0	97.7	2.3	0	
Total %	0	0	0	0	0.8	65.7	0	0	0.5	0	0	0	0	32.3	0.8	0	

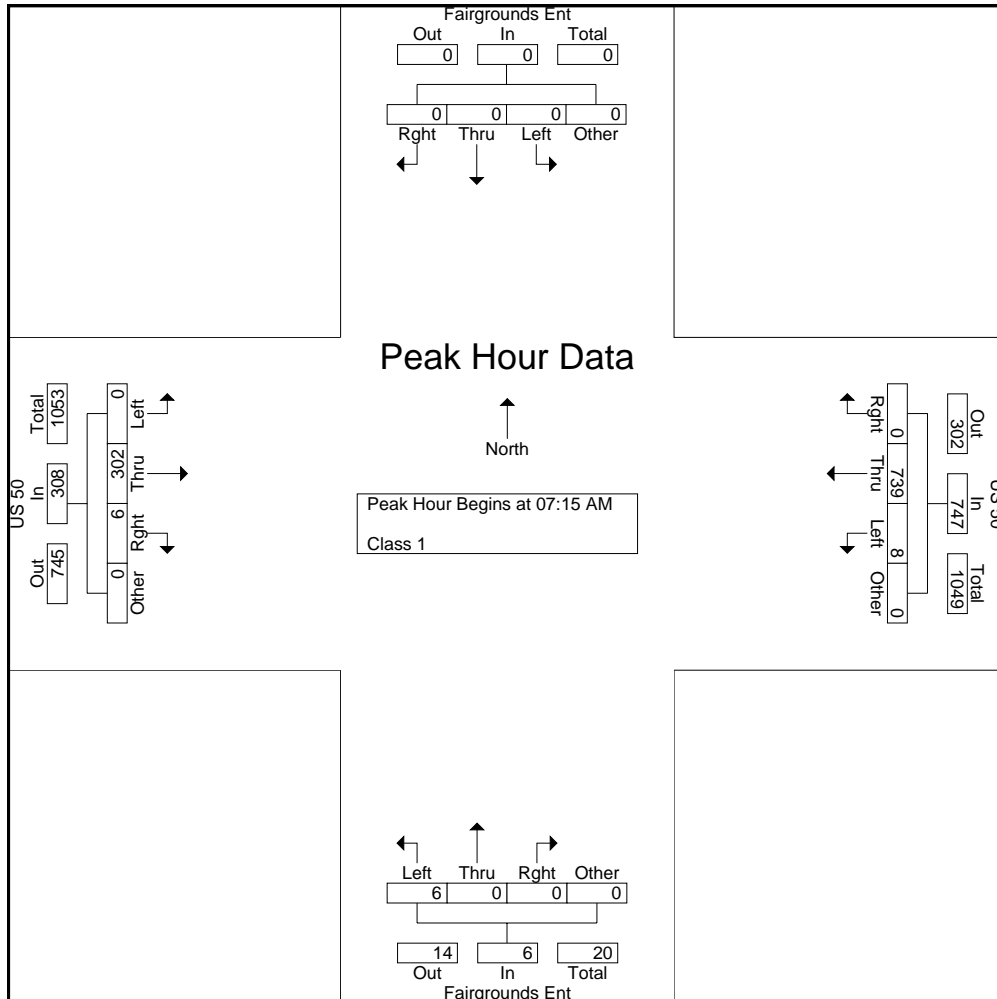




All Traffic Data Services, Inc.
 9660 W. 44th Ave.
 Wheat Ridge, CO 80033

File Name : #17 Fairgrounds & US 50 AM
 Site Code : 00000000
 Start Date : 10/17/2007
 Page No : 2

Start Time	Fairgrounds Ent Southbound					US 50 Westbound					Fairgrounds Ent Northbound					US 50 Eastbound					Int. Total
	Left	Thru	Right	Other	App. Total	Left	Thru	Right	Other	App. Total	Left	Thru	Right	Other	App. Total	Left	Thru	Right	Other	App. Total	
Peak Hour Analysis From 07:00 AM to 08:45 AM - Peak 1 of 1																					
Peak Hour for Entire Intersection Begins at 07:15 AM																					
07:15 AM	0	0	0	0	0	3	180	0	0	183	0	0	0	0	0	0	70	0	0	70	253
07:30 AM	0	0	0	0	0	2	216	0	0	218	1	0	0	0	1	0	67	1	0	68	287
07:45 AM	0	0	0	0	0	2	202	0	0	204	2	0	0	0	2	0	77	2	0	79	285
08:00 AM	0	0	0	0	0	1	141	0	0	142	3	0	0	0	3	0	88	3	0	91	236
Total Volume	0	0	0	0	0	8	739	0	0	747	6	0	0	0	6	0	302	6	0	308	1061
% App. Total	0	0	0	0	0	1.1	98.9	0	0		100	0	0	0		0	98.1	1.9	0		
PHF	.000	.000	.000	.000	.000	.667	.855	.000	.000	.857	.500	.000	.000	.000	.500	.000	.858	.500	.000	.846	.924



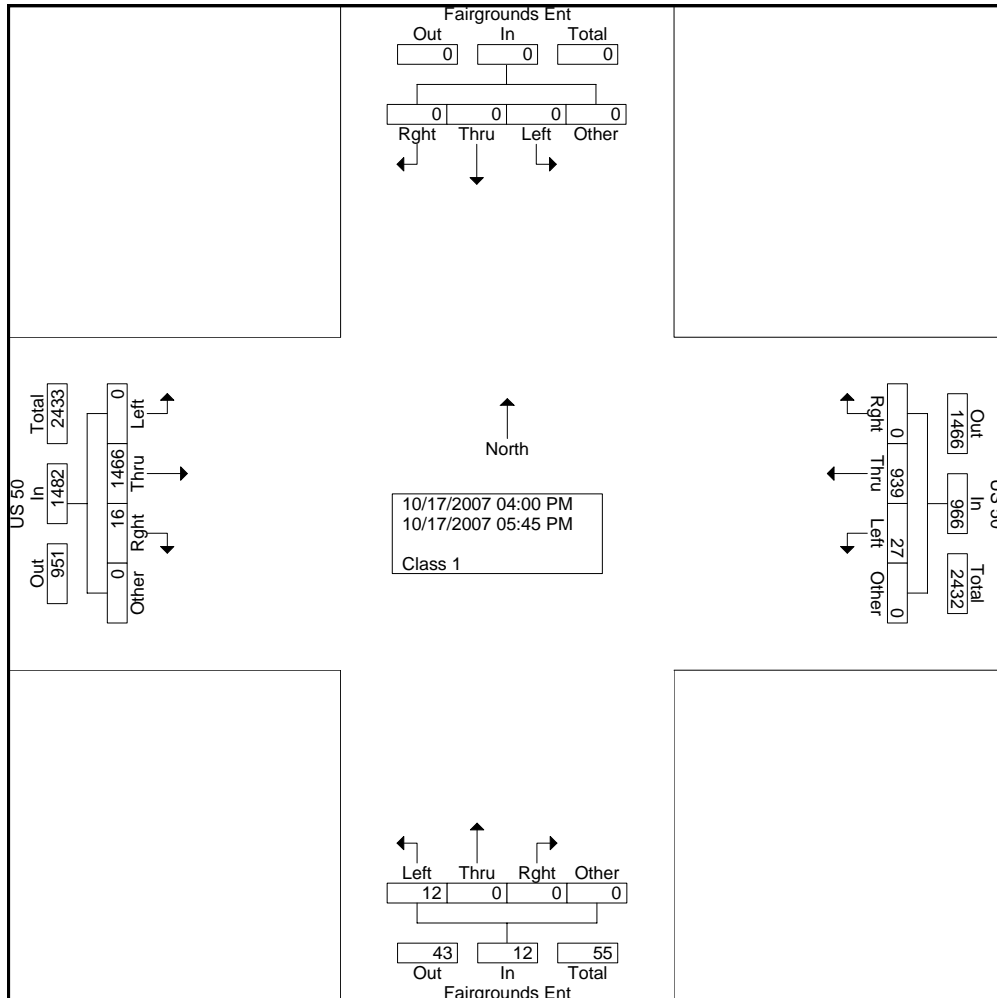


All Traffic Data Services, Inc.
 9660 W. 44th Ave.
 Wheat Ridge, CO 80033

File Name : #17 Fairgrounds & US 50 PM
 Site Code : 00000000
 Start Date : 10/17/2007
 Page No : 1

Groups Printed- Class 1

Start Time	Fairgrounds Ent Southbound				US 50 Westbound				Fairgrounds Ent Northbound				US 50 Eastbound				Int. Total
	Left	Thru	Right	Other	Left	Thru	Right	Other	Left	Thru	Right	Other	Left	Thru	Right	Other	
04:00 PM	0	0	0	0	1	126	0	0	2	0	0	0	0	142	3	0	274
04:15 PM	0	0	0	0	4	119	0	0	4	0	0	0	0	175	0	0	302
04:30 PM	0	0	0	0	0	106	0	0	0	0	0	0	0	200	0	0	306
04:45 PM	0	0	0	0	2	121	0	0	1	0	0	0	0	192	3	0	319
Total	0	0	0	0	7	472	0	0	7	0	0	0	0	709	6	0	1201
05:00 PM	0	0	0	0	2	105	0	0	2	0	0	0	0	184	2	0	295
05:15 PM	0	0	0	0	6	118	0	0	0	0	0	0	0	214	3	0	341
05:30 PM	0	0	0	0	8	135	0	0	3	0	0	0	0	169	2	0	317
05:45 PM	0	0	0	0	4	109	0	0	0	0	0	0	0	190	3	0	306
Total	0	0	0	0	20	467	0	0	5	0	0	0	0	757	10	0	1259
Grand Total	0	0	0	0	27	939	0	0	12	0	0	0	0	1466	16	0	2460
Apprch %	0	0	0	0	2.8	97.2	0	0	100	0	0	0	0	98.9	1.1	0	
Total %	0	0	0	0	1.1	38.2	0	0	0.5	0	0	0	0	59.6	0.7	0	

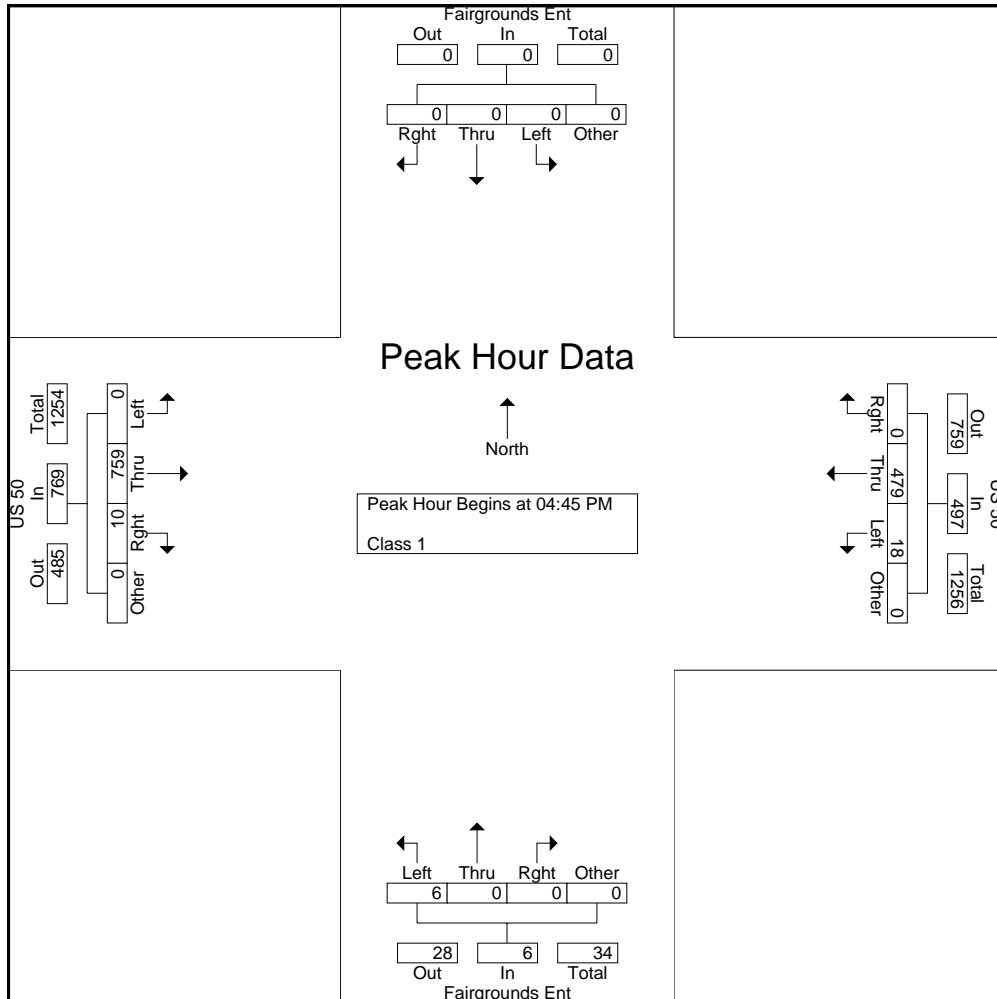




All Traffic Data Services, Inc.
 9660 W. 44th Ave.
 Wheat Ridge, CO 80033

File Name : #17 Fairgrounds & US 50 PM
 Site Code : 00000000
 Start Date : 10/17/2007
 Page No : 2

Start Time	Fairgrounds Ent Southbound					US 50 Westbound					Fairgrounds Ent Northbound					US 50 Eastbound					Int. Total
	Left	Thru	Right	Other	App. Total	Left	Thru	Right	Other	App. Total	Left	Thru	Right	Other	App. Total	Left	Thru	Right	Other	App. Total	
Peak Hour Analysis From 04:00 PM to 05:45 PM - Peak 1 of 1																					
Peak Hour for Entire Intersection Begins at 04:45 PM																					
04:45 PM	0	0	0	0	0	2	121	0	0	123	1	0	0	0	1	0	192	3	0	195	319
05:00 PM	0	0	0	0	0	2	105	0	0	107	2	0	0	0	2	0	184	2	0	186	295
05:15 PM	0	0	0	0	0	6	118	0	0	124	0	0	0	0	0	0	214	3	0	217	341
05:30 PM	0	0	0	0	0	8	135	0	0	143	3	0	0	0	3	0	169	2	0	171	317
Total Volume	0	0	0	0	0	18	479	0	0	497	6	0	0	0	6	0	759	10	0	769	1272
% App. Total	0	0	0	0	0	3.6	96.4	0	0		100	0	0	0		0	98.7	1.3	0		
PHF	.000	.000	.000	.000	.000	.563	.887	.000	.000	.869	.500	.000	.000	.000	.500	.000	.887	.833	.000	.886	.933



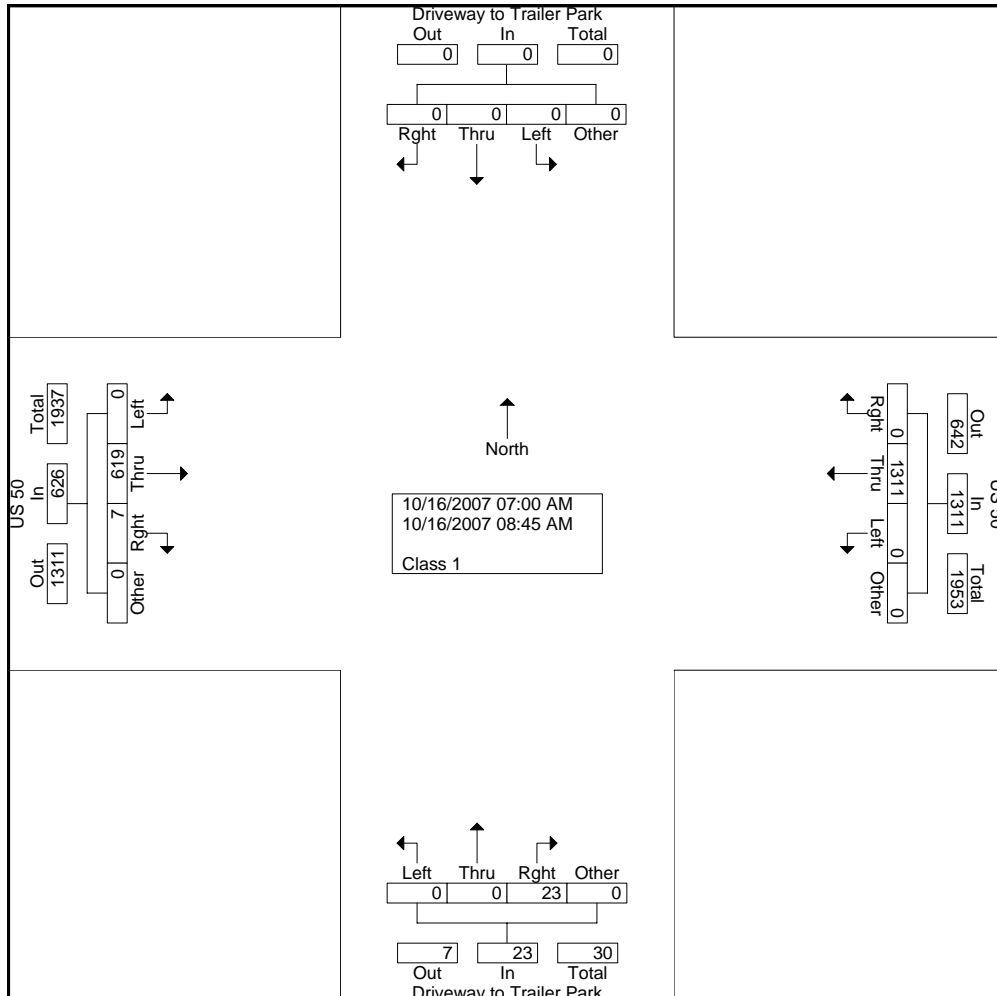


All Traffic Data Services, Inc.
 9660 W. 44th Ave.
 Wheat Ridge, CO 80033

File Name : #18 Trailer Park & US 50 AM
 Site Code : 00000000
 Start Date : 10/16/2007
 Page No : 1

Groups Printed- Class 1

Start Time	Driveway to Trailer Park Southbound				US 50 Westbound				Driveway to Trailer Park Northbound				US 50 Eastbound				Int. Total
	Left	Thru	Right	Other	Left	Thru	Right	Other	Left	Thru	Right	Other	Left	Thru	Right	Other	
07:00 AM	0	0	0	0	0	135	0	0	0	0	3	0	0	55	1	0	194
07:15 AM	0	0	0	0	0	197	0	0	0	0	5	0	0	67	1	0	270
07:30 AM	0	0	0	0	0	233	0	0	0	0	3	0	0	73	0	0	309
07:45 AM	0	0	0	0	0	168	0	0	0	0	0	0	0	74	2	0	244
Total	0	0	0	0	0	733	0	0	0	0	11	0	0	269	4	0	1017
08:00 AM	0	0	0	0	0	152	0	0	0	0	5	0	0	86	0	0	243
08:15 AM	0	0	0	0	0	143	0	0	0	0	3	0	0	108	0	0	254
08:30 AM	0	0	0	0	0	138	0	0	0	0	1	0	0	73	2	0	214
08:45 AM	0	0	0	0	0	145	0	0	0	0	3	0	0	83	1	0	232
Total	0	0	0	0	0	578	0	0	0	0	12	0	0	350	3	0	943
Grand Total	0	0	0	0	0	1311	0	0	0	0	23	0	0	619	7	0	1960
Apprch %	0	0	0	0	0	100	0	0	0	0	100	0	0	98.9	1.1	0	
Total %	0	0	0	0	0	66.9	0	0	0	0	1.2	0	0	31.6	0.4	0	

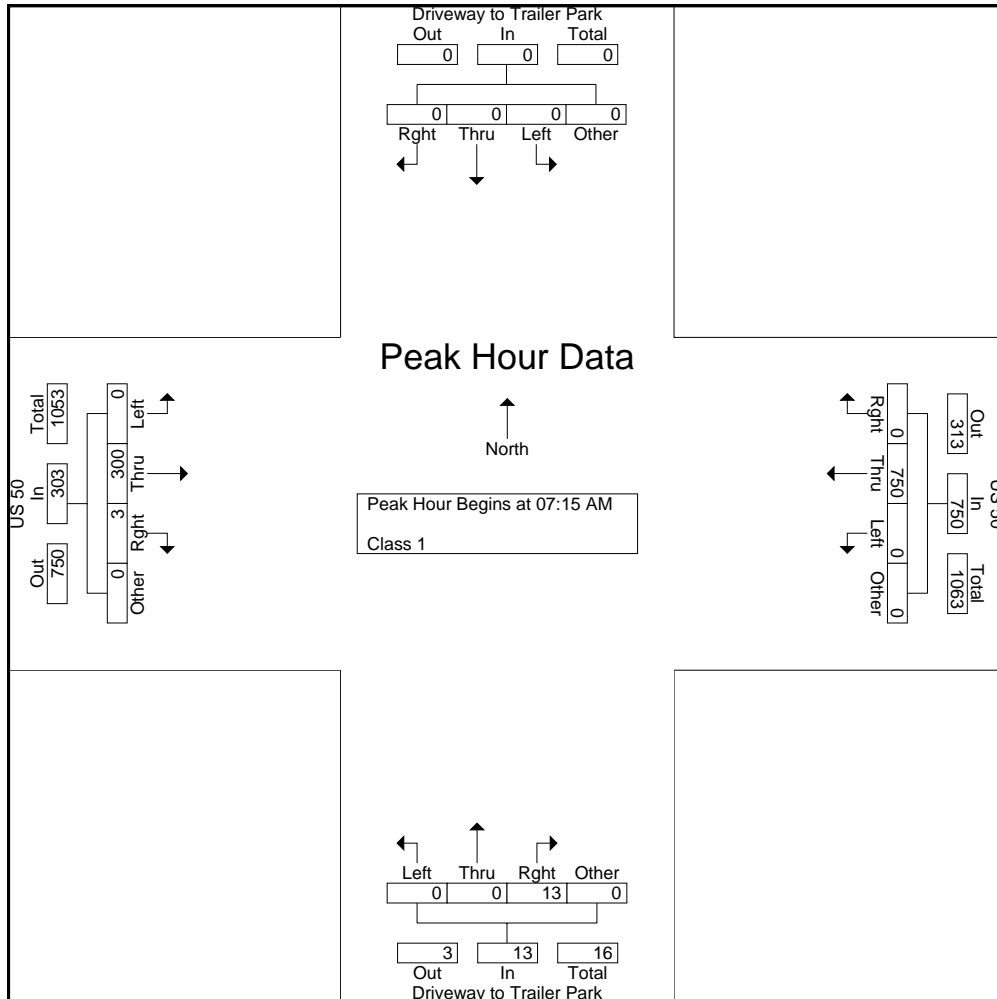




All Traffic Data Services, Inc.
 9660 W. 44th Ave.
 Wheat Ridge, CO 80033

File Name : #18 Trailer Park & US 50 AM
 Site Code : 00000000
 Start Date : 10/16/2007
 Page No : 2

Start Time	Driveway to Trailer Park Southbound					US 50 Westbound					Driveway to Trailer Park Northbound					US 50 Eastbound					Int. Total
	Left	Thru	Right	Other	App. Total	Left	Thru	Right	Other	App. Total	Left	Thru	Right	Other	App. Total	Left	Thru	Right	Other	App. Total	
Peak Hour Analysis From 07:00 AM to 08:45 AM - Peak 1 of 1																					
Peak Hour for Entire Intersection Begins at 07:15 AM																					
07:15 AM	0	0	0	0	0	0	197	0	0	197	0	0	5	0	5	0	67	1	0	68	270
07:30 AM	0	0	0	0	0	0	233	0	0	233	0	0	3	0	3	0	73	0	0	73	309
07:45 AM	0	0	0	0	0	0	168	0	0	168	0	0	0	0	0	0	74	2	0	76	244
08:00 AM	0	0	0	0	0	0	152	0	0	152	0	0	5	0	5	0	86	0	0	86	243
Total Volume	0	0	0	0	0	0	750	0	0	750	0	0	13	0	13	0	300	3	0	303	1066
% App. Total	0	0	0	0	0	0	100	0	0	100	0	0	100	0	100	0	99	1	0	100	
PHF	.000	.000	.000	.000	.000	.000	.805	.000	.000	.805	.000	.000	.650	.000	.650	.000	.872	.375	.000	.881	.862



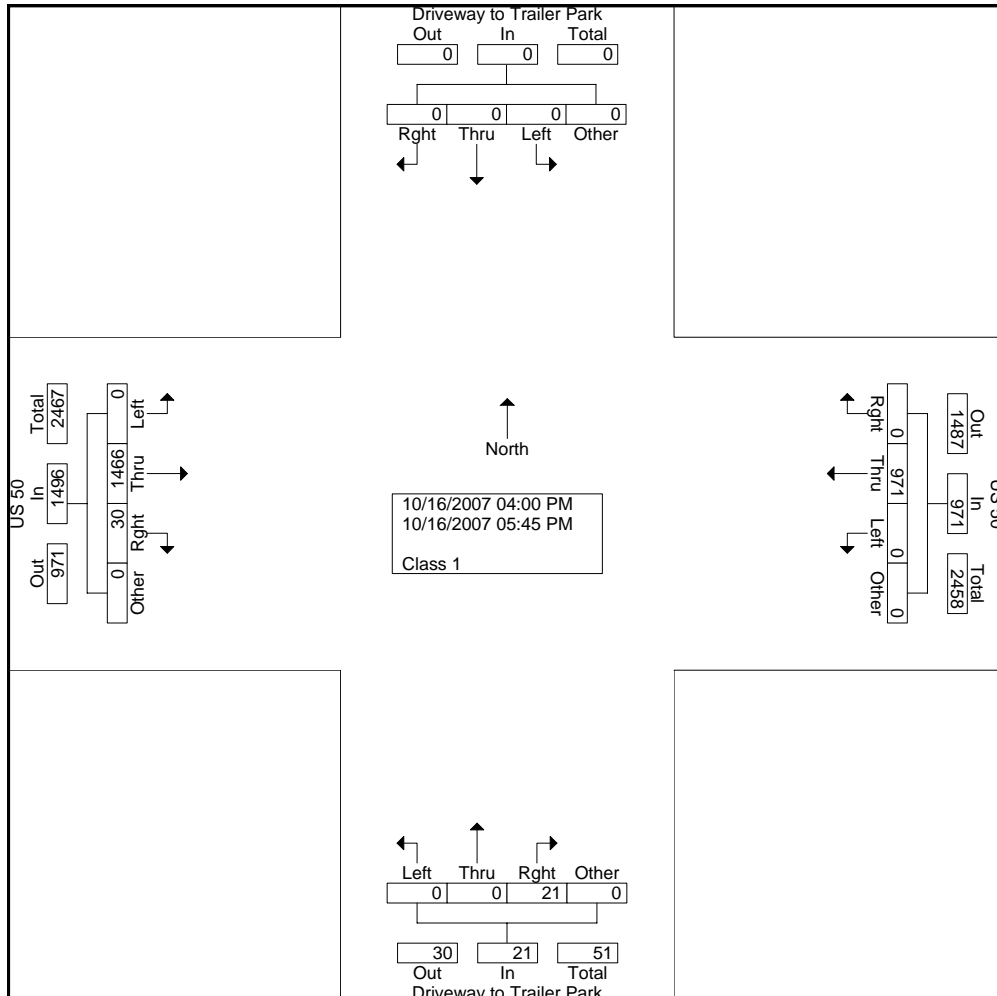


All Traffic Data Services, Inc.
 9660 W. 44th Ave.
 Wheat Ridge, CO 80033

File Name : #18 Trailer Park & US 50 PM
 Site Code : 00000000
 Start Date : 10/16/2007
 Page No : 1

Groups Printed- Class 1

Start Time	Driveway to Trailer Park Southbound				US 50 Westbound				Driveway to Trailer Park Northbound				US 50 Eastbound				Int. Total	
	Left	Thru	Right	Other	Left	Thru	Right	Other	Left	Thru	Right	Other	Left	Thru	Right	Other		
04:00 PM	0	0	0	0	0	124	0	0	0	0	0	4	0	0	141	4	0	273
04:15 PM	0	0	0	0	0	123	0	0	0	0	0	2	0	0	180	6	0	311
04:30 PM	0	0	0	0	0	105	0	0	0	0	0	1	0	0	204	2	0	312
04:45 PM	0	0	0	0	0	125	0	0	0	0	0	2	0	0	196	0	0	323
Total	0	0	0	0	0	477	0	0	0	0	0	9	0	0	721	12	0	1219
05:00 PM	0	0	0	0	0	110	0	0	0	0	0	1	0	0	177	2	0	290
05:15 PM	0	0	0	0	0	119	0	0	0	0	0	5	0	0	215	9	0	348
05:30 PM	0	0	0	0	0	149	0	0	0	0	0	5	0	0	166	4	0	324
05:45 PM	0	0	0	0	0	116	0	0	0	0	0	1	0	0	187	3	0	307
Total	0	0	0	0	0	494	0	0	0	0	0	12	0	0	745	18	0	1269
Grand Total	0	0	0	0	0	971	0	0	0	0	0	21	0	0	1466	30	0	2488
Apprch %	0	0	0	0	0	100	0	0	0	0	0	100	0	0	98	2	0	
Total %	0	0	0	0	0	39	0	0	0	0	0	0.8	0	0	58.9	1.2	0	

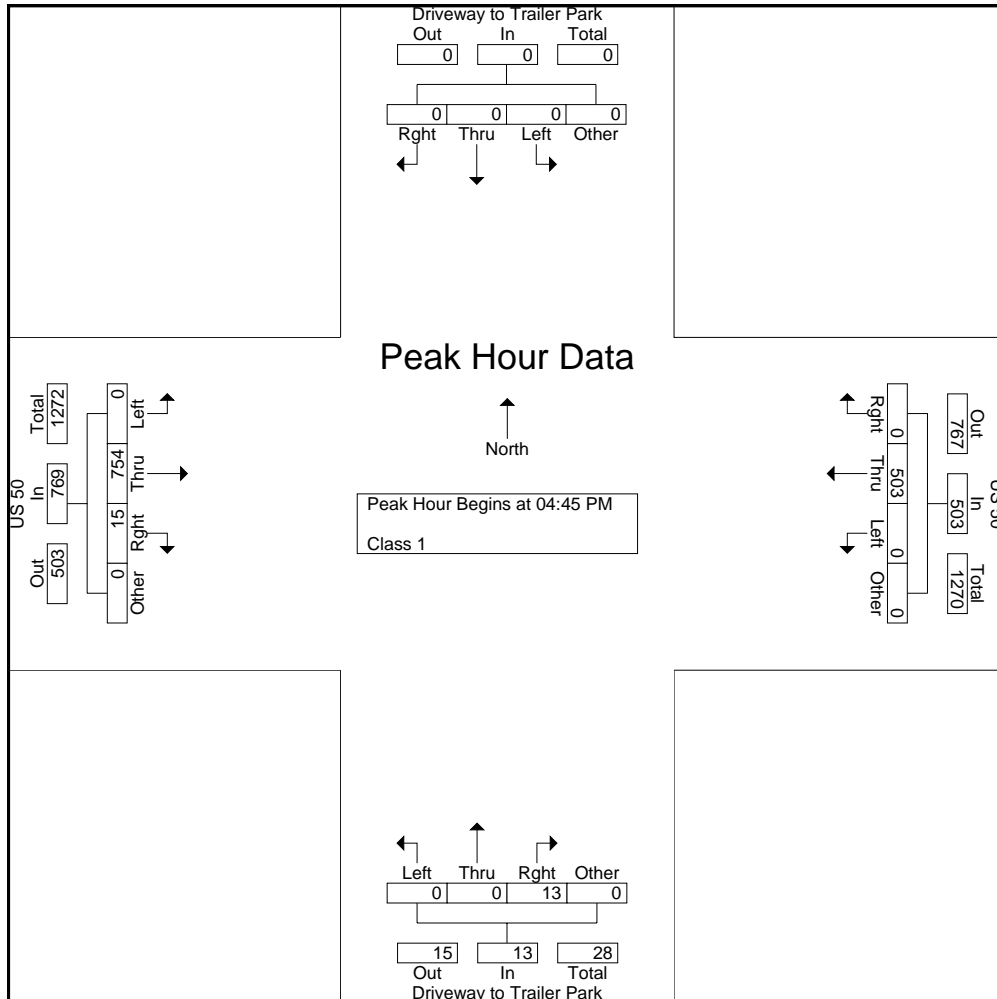




All Traffic Data Services, Inc.
 9660 W. 44th Ave.
 Wheat Ridge, CO 80033

File Name : #18 Trailer Park & US 50 PM
 Site Code : 00000000
 Start Date : 10/16/2007
 Page No : 2

Start Time	Driveway to Trailer Park Southbound					US 50 Westbound					Driveway to Trailer Park Northbound					US 50 Eastbound					Int. Total
	Left	Thru	Right	Other	App. Total	Left	Thru	Right	Other	App. Total	Left	Thru	Right	Other	App. Total	Left	Thru	Right	Other	App. Total	
Peak Hour Analysis From 04:00 PM to 05:45 PM - Peak 1 of 1																					
Peak Hour for Entire Intersection Begins at 04:45 PM																					
04:45 PM	0	0	0	0	0	0	125	0	0	125	0	0	2	0	2	0	196	0	0	196	323
05:00 PM	0	0	0	0	0	0	110	0	0	110	0	0	1	0	1	0	177	2	0	179	290
05:15 PM	0	0	0	0	0	0	119	0	0	119	0	0	5	0	5	0	215	9	0	224	348
05:30 PM	0	0	0	0	0	0	149	0	0	149	0	0	5	0	5	0	166	4	0	170	324
Total Volume	0	0	0	0	0	0	503	0	0	503	0	0	13	0	13	0	754	15	0	769	1285
% App. Total	0	0	0	0	0	0	100	0	0	100	0	0	100	0	100	0	98	2	0	100	
PHF	.000	.000	.000	.000	.000	.000	.844	.000	.000	.844	.000	.000	.650	.000	.650	.000	.877	.417	.000	.858	.923



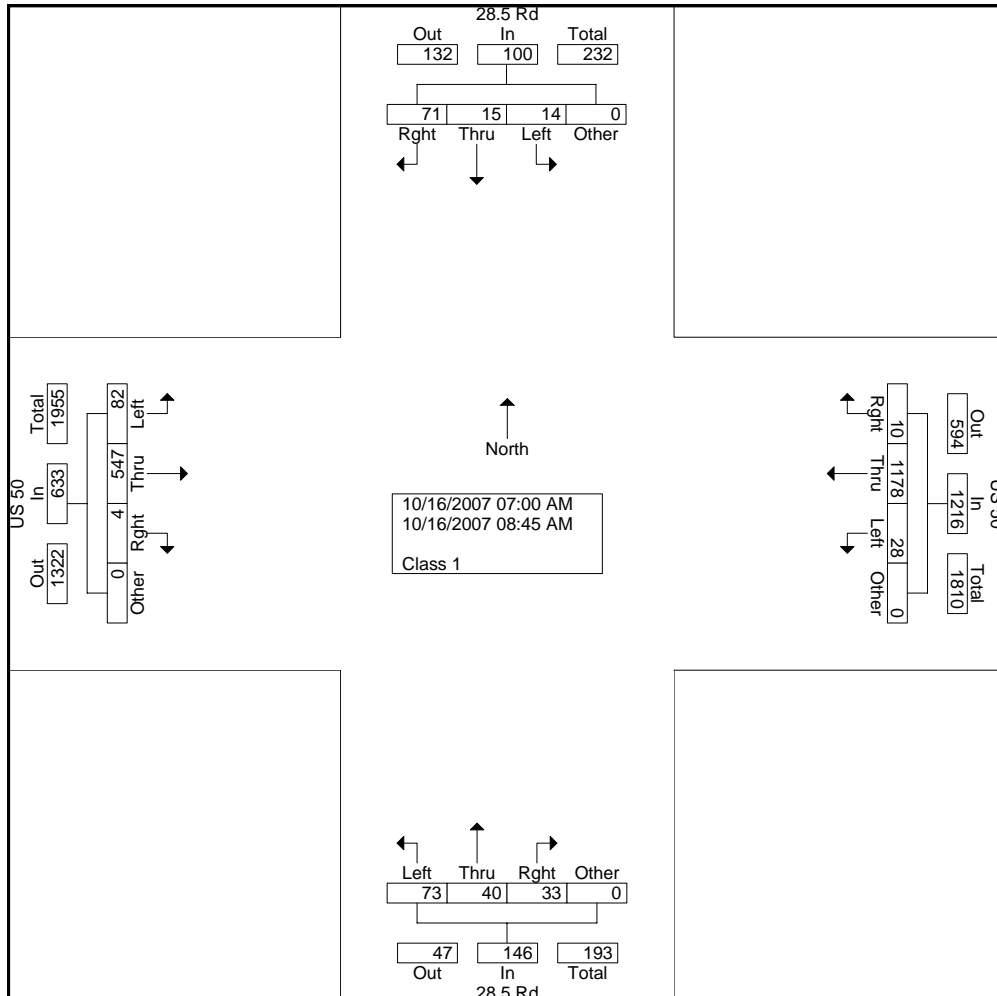


All Traffic Data Services, Inc.
 9660 W. 44th Ave.
 Wheat Ridge, CO 80033

File Name : #19 28.5 Rd & US 50 AM
 Site Code : 00000000
 Start Date : 10/16/2007
 Page No : 1

Groups Printed- Class 1

Start Time	28.5 Rd Southbound				US 50 Westbound				28.5 Rd Northbound				US 50 Eastbound				Int. Total
	Left	Thru	Right	Other	Left	Thru	Right	Other	Left	Thru	Right	Other	Left	Thru	Right	Other	
07:00 AM	0	0	5	0	2	107	2	0	8	7	7	0	12	52	0	0	202
07:15 AM	2	4	15	0	4	175	1	0	10	4	3	0	6	68	0	0	292
07:30 AM	4	2	13	0	2	215	2	0	9	6	4	0	10	58	0	0	325
07:45 AM	1	1	6	0	1	148	1	0	22	8	5	0	8	63	0	0	264
Total	7	7	39	0	9	645	6	0	49	25	19	0	36	241	0	0	1083
08:00 AM	1	3	8	0	1	139	3	0	8	2	2	0	12	86	1	0	266
08:15 AM	4	0	7	0	4	134	1	0	5	1	0	0	13	90	1	0	260
08:30 AM	0	2	9	0	5	131	0	0	4	7	7	0	9	60	2	0	236
08:45 AM	2	3	8	0	9	129	0	0	7	5	5	0	12	70	0	0	250
Total	7	8	32	0	19	533	4	0	24	15	14	0	46	306	4	0	1012
Grand Total	14	15	71	0	28	1178	10	0	73	40	33	0	82	547	4	0	2095
Apprch %	14	15	71	0	2.3	96.9	0.8	0	50	27.4	22.6	0	13	86.4	0.6	0	
Total %	0.7	0.7	3.4	0	1.3	56.2	0.5	0	3.5	1.9	1.6	0	3.9	26.1	0.2	0	

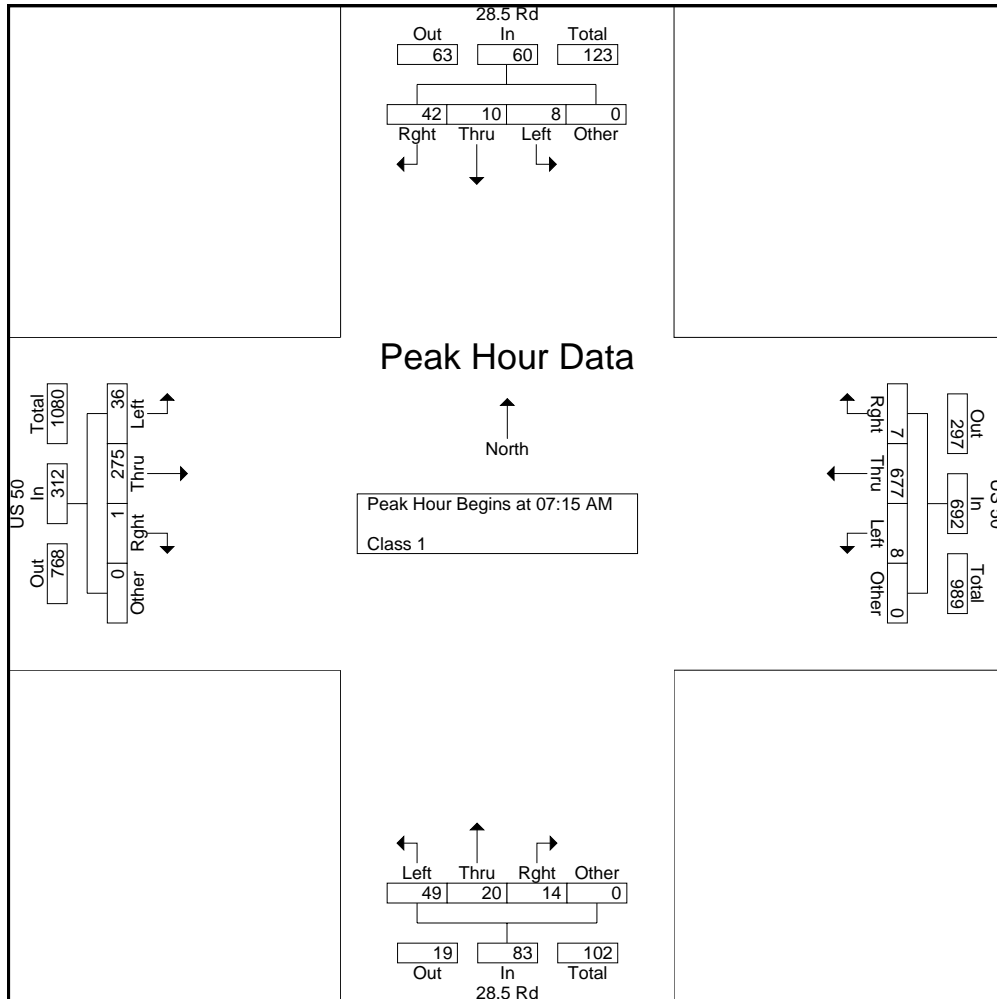




All Traffic Data Services, Inc.
 9660 W. 44th Ave.
 Wheat Ridge, CO 80033

File Name : #19 28.5 Rd & US 50 AM
 Site Code : 00000000
 Start Date : 10/16/2007
 Page No : 2

Start Time	28.5 Rd Southbound					US 50 Westbound					28.5 Rd Northbound					US 50 Eastbound					Int. Total
	Left	Thru	Right	Other	App. Total	Left	Thru	Right	Other	App. Total	Left	Thru	Right	Other	App. Total	Left	Thru	Right	Other	App. Total	
Peak Hour Analysis From 07:00 AM to 08:45 AM - Peak 1 of 1																					
Peak Hour for Entire Intersection Begins at 07:15 AM																					
07:15 AM	2	4	15	0	21	4	175	1	0	180	10	4	3	0	17	6	68	0	0	74	292
07:30 AM	4	2	13	0	19	2	215	2	0	219	9	6	4	0	19	10	58	0	0	68	325
07:45 AM	1	1	6	0	8	1	148	1	0	150	22	8	5	0	35	8	63	0	0	71	264
08:00 AM	1	3	8	0	12	1	139	3	0	143	8	2	2	0	12	12	86	1	0	99	266
Total Volume	8	10	42	0	60	8	677	7	0	692	49	20	14	0	83	36	275	1	0	312	1147
% App. Total	13.3	16.7	70	0		1.2	97.8	1	0		59	24.1	16.9	0		11.5	88.1	0.3	0		
PHF	.500	.625	.700	.000	.714	.500	.787	.583	.000	.790	.557	.625	.700	.000	.593	.750	.799	.250	.000	.788	.882



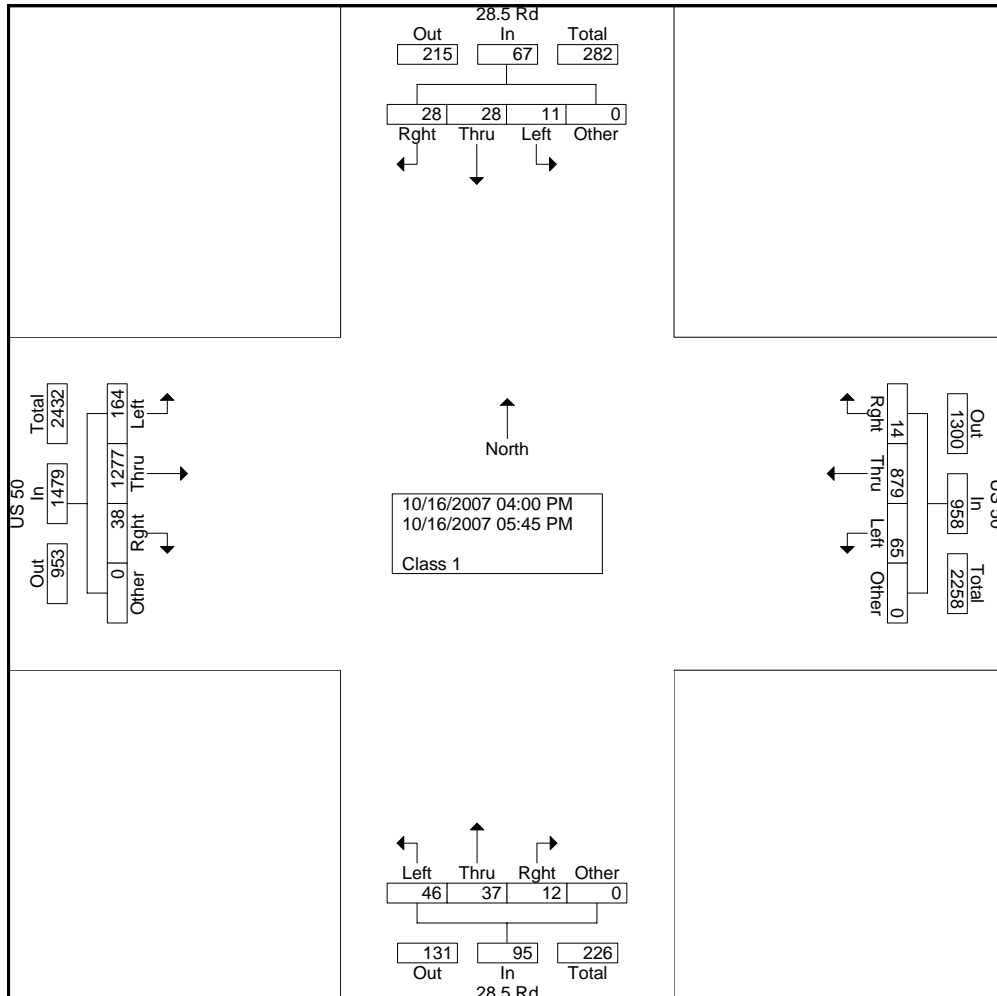


All Traffic Data Services, Inc.
 9660 W. 44th Ave.
 Wheat Ridge, CO 80033

File Name : #19 28.5 Rd & US 50 PM
 Site Code : 00000000
 Start Date : 10/16/2007
 Page No : 1

Groups Printed- Class 1

Start Time	28.5 Rd Southbound				US 50 Westbound				28.5 Rd Northbound				US 50 Eastbound				Int. Total
	Left	Thru	Right	Other	Left	Thru	Right	Other	Left	Thru	Right	Other	Left	Thru	Right	Other	
04:00 PM	0	9	5	0	5	106	4	0	6	4	3	0	10	136	2	0	290
04:15 PM	2	5	3	0	2	104	1	0	5	6	3	0	18	153	3	0	305
04:30 PM	2	2	1	0	11	100	5	0	1	5	0	0	19	171	7	0	324
04:45 PM	1	5	3	0	6	118	3	0	7	3	2	0	18	167	3	0	336
Total	5	21	12	0	24	428	13	0	19	18	8	0	65	627	15	0	1255
05:00 PM	1	0	2	0	11	98	1	0	10	7	0	0	25	149	5	0	309
05:15 PM	2	3	4	0	8	110	0	0	5	7	1	0	31	184	6	0	361
05:30 PM	1	1	4	0	9	135	0	0	10	3	1	0	22	154	4	0	344
05:45 PM	2	3	6	0	13	108	0	0	2	2	2	0	21	163	8	0	330
Total	6	7	16	0	41	451	1	0	27	19	4	0	99	650	23	0	1344
Grand Total	11	28	28	0	65	879	14	0	46	37	12	0	164	1277	38	0	2599
Apprch %	16.4	41.8	41.8	0	6.8	91.8	1.5	0	48.4	38.9	12.6	0	11.1	86.3	2.6	0	
Total %	0.4	1.1	1.1	0	2.5	33.8	0.5	0	1.8	1.4	0.5	0	6.3	49.1	1.5	0	

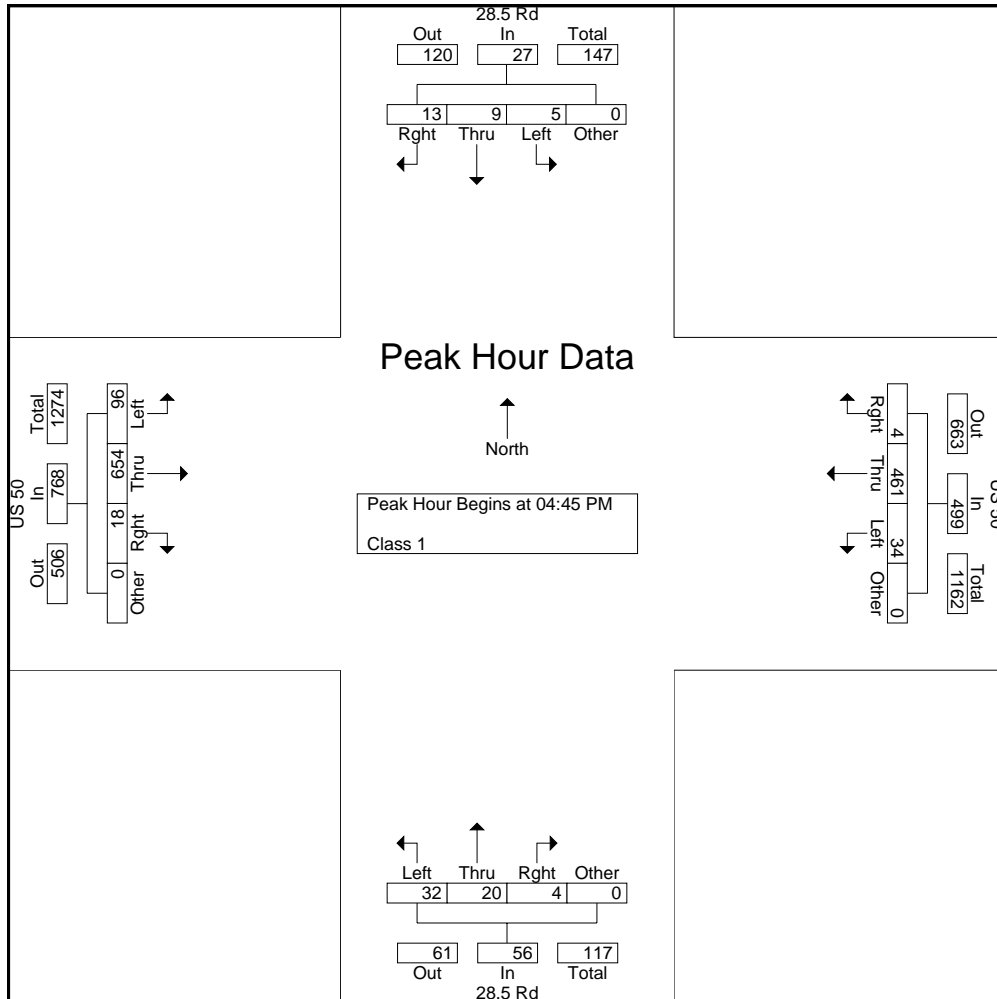




All Traffic Data Services, Inc.
 9660 W. 44th Ave.
 Wheat Ridge, CO 80033

File Name : #19 28.5 Rd & US 50 PM
 Site Code : 00000000
 Start Date : 10/16/2007
 Page No : 2

Start Time	28.5 Rd Southbound					US 50 Westbound					28.5 Rd Northbound					US 50 Eastbound					Int. Total
	Left	Thru	Right	Other	App. Total	Left	Thru	Right	Other	App. Total	Left	Thru	Right	Other	App. Total	Left	Thru	Right	Other	App. Total	
Peak Hour Analysis From 04:00 PM to 05:45 PM - Peak 1 of 1																					
Peak Hour for Entire Intersection Begins at 04:45 PM																					
04:45 PM	1	5	3	0	9	6	118	3	0	127	7	3	2	0	12	18	167	3	0	188	336
05:00 PM	1	0	2	0	3	11	98	1	0	110	10	7	0	0	17	25	149	5	0	179	309
05:15 PM	2	3	4	0	9	8	110	0	0	118	5	7	1	0	13	31	184	6	0	221	361
05:30 PM	1	1	4	0	6	9	135	0	0	144	10	3	1	0	14	22	154	4	0	180	344
Total Volume	5	9	13	0	27	34	461	4	0	499	32	20	4	0	56	96	654	18	0	768	1350
% App. Total	18.5	33.3	48.1	0		6.8	92.4	0.8	0		57.1	35.7	7.1	0		12.5	85.2	2.3	0		
PHF	.625	.450	.813	.000	.750	.773	.854	.333	.000	.866	.800	.714	.500	.000	.824	.774	.889	.750	.000	.869	.935



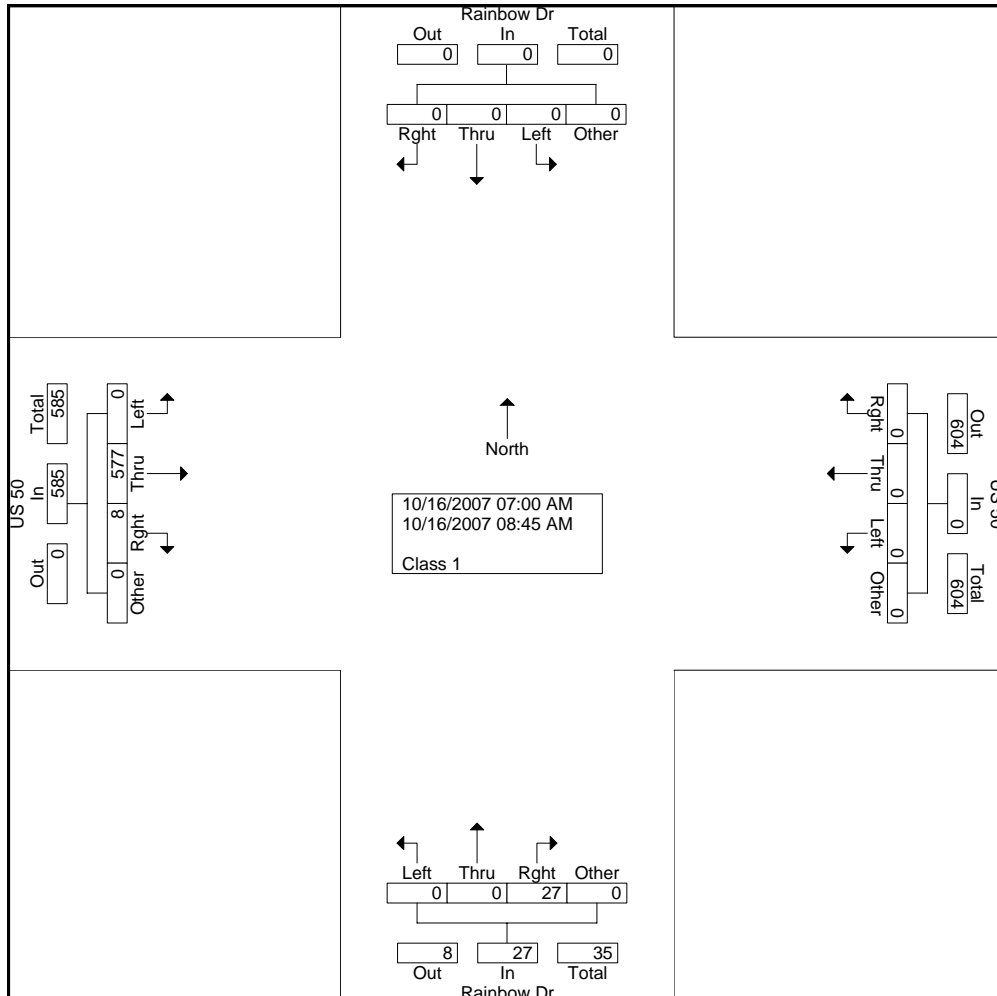


All Traffic Data Services, Inc.
 9660 W. 44th Ave.
 Wheat Ridge, CO 80033

File Name : #20 Rainbow Dr AM
 Site Code : 00000000
 Start Date : 10/16/2007
 Page No : 1

Groups Printed- Class 1

Start Time	Rainbow Dr Southbound				US 50 Westbound				Rainbow Dr Northbound				US 50 Eastbound				Int. Total
	Left	Thru	Rght	Other	Left	Thru	Rght	Other	Left	Thru	Rght	Other	Left	Thru	Rght	Other	
07:00 AM	0	0	0	0	0	0	0	0	0	0	3	0	0	46	0	0	49
07:15 AM	0	0	0	0	0	0	0	0	0	0	5	0	0	63	2	0	70
07:30 AM	0	0	0	0	0	0	0	0	0	0	1	0	0	81	0	0	82
07:45 AM	0	0	0	0	0	0	0	0	0	0	4	0	0	70	1	0	75
Total	0	0	0	0	0	0	0	0	0	0	13	0	0	260	3	0	276
08:00 AM	0	0	0	0	0	0	0	0	0	0	0	0	0	81	0	0	81
08:15 AM	0	0	0	0	0	0	0	0	0	0	7	0	0	91	2	0	100
08:30 AM	0	0	0	0	0	0	0	0	0	0	3	0	0	72	1	0	76
08:45 AM	0	0	0	0	0	0	0	0	0	0	4	0	0	73	2	0	79
Total	0	0	0	0	0	0	0	0	0	0	14	0	0	317	5	0	336
Grand Total	0	0	0	0	0	0	0	0	0	0	27	0	0	577	8	0	612
Apprch %	0	0	0	0	0	0	0	0	0	0	100	0	0	98.6	1.4	0	
Total %	0	0	0	0	0	0	0	0	0	0	4.4	0	0	94.3	1.3	0	

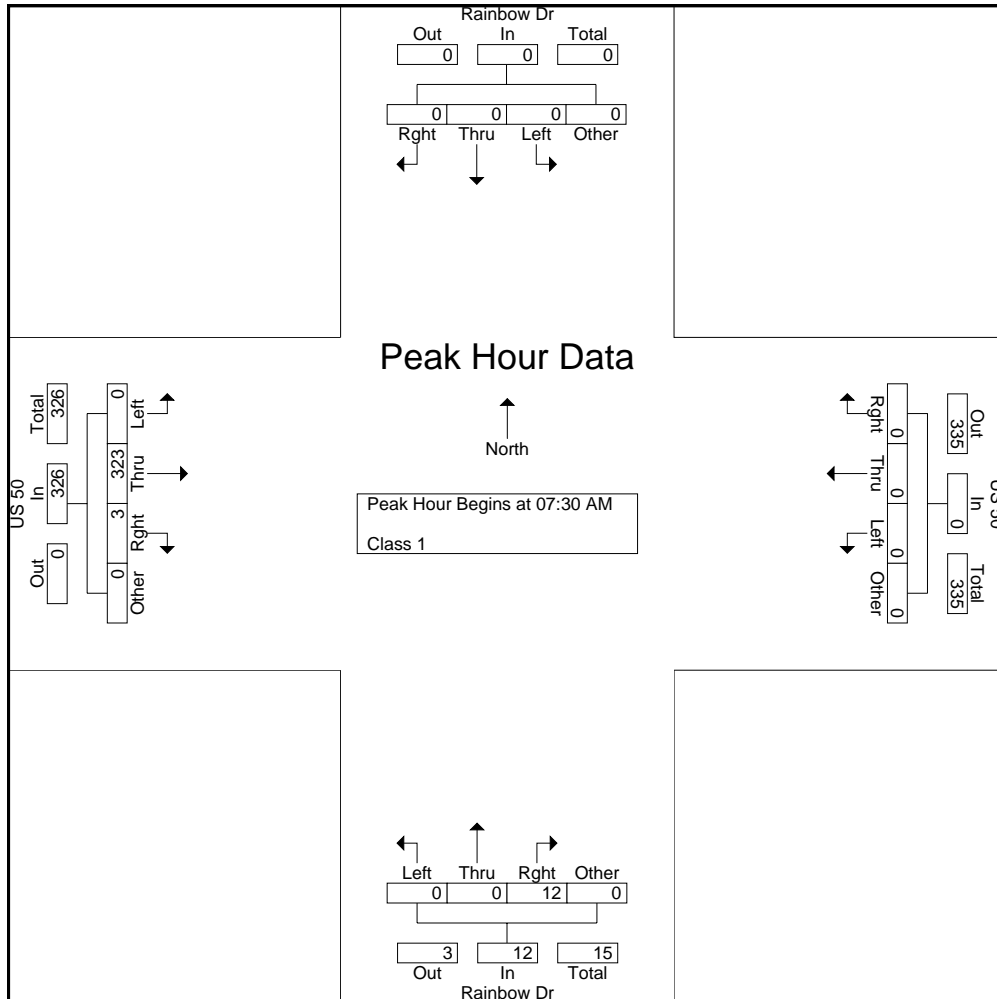




All Traffic Data Services, Inc.
 9660 W. 44th Ave.
 Wheat Ridge, CO 80033

File Name : #20 Rainbow Dr AM
 Site Code : 00000000
 Start Date : 10/16/2007
 Page No : 2

Start Time	Rainbow Dr Southbound					US 50 Westbound					Rainbow Dr Northbound					US 50 Eastbound					Int. Total
	Left	Thru	Right	Other	App. Total	Left	Thru	Right	Other	App. Total	Left	Thru	Right	Other	App. Total	Left	Thru	Right	Other	App. Total	
Peak Hour Analysis From 07:00 AM to 08:45 AM - Peak 1 of 1																					
Peak Hour for Entire Intersection Begins at 07:30 AM																					
07:30 AM	0	0	0	0	0	0	0	0	0	0	0	0	1	0	1	0	81	0	0	81	82
07:45 AM	0	0	0	0	0	0	0	0	0	0	0	0	4	0	4	0	70	1	0	71	75
08:00 AM	0	0	0	0	0	0	0	0	0	0	0	0	0	0	0	0	81	0	0	81	81
08:15 AM	0	0	0	0	0	0	0	0	0	0	0	0	7	0	7	0	91	2	0	93	100
Total Volume	0	0	0	0	0	0	0	0	0	0	0	0	12	0	12	0	323	3	0	326	338
% App. Total	0	0	0	0	0	0	0	0	0	0	0	0	100	0	0	0	99.1	0.9	0	0	
PHF	.000	.000	.000	.000	.000	.000	.000	.000	.000	.000	.000	.000	.429	.000	.429	.000	.887	.375	.000	.876	.845



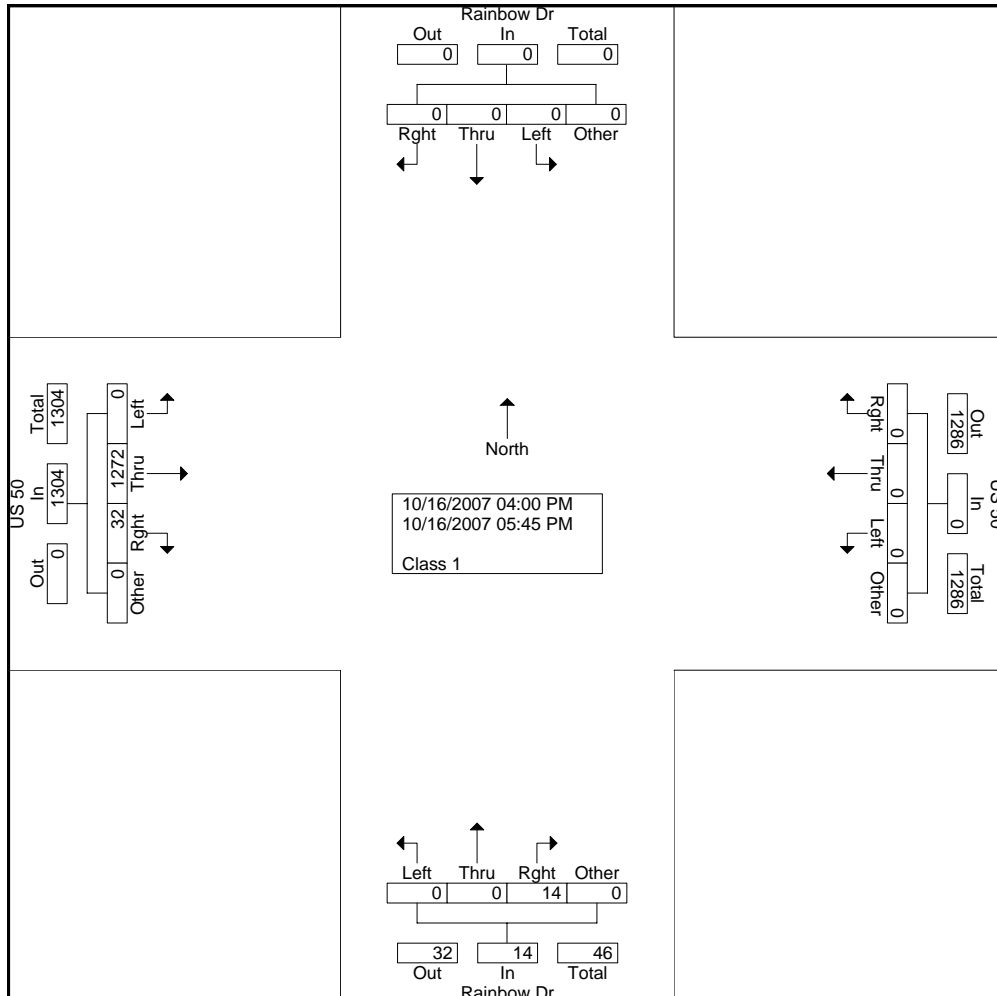


All Traffic Data Services, Inc.
 9660 W. 44th Ave.
 Wheat Ridge, CO 80033

File Name : #20 Rainbow Dr PM
 Site Code : 00000000
 Start Date : 10/16/2007
 Page No : 1

Groups Printed- Class 1

Start Time	Rainbow Dr Southbound				US 50 Westbound				Rainbow Dr Northbound				US 50 Eastbound				Int. Total	
	Left	Thru	Right	Other	Left	Thru	Right	Other	Left	Thru	Right	Other	Left	Thru	Right	Other		
04:00 PM	0	0	0	0	0	0	0	0	0	0	0	6	0	0	133	5	0	144
04:15 PM	0	0	0	0	0	0	0	0	0	0	1	0	0	0	164	1	0	166
04:30 PM	0	0	0	0	0	0	0	0	0	0	0	0	0	0	154	7	0	161
04:45 PM	0	0	0	0	0	0	0	0	0	0	0	1	0	0	181	5	0	187
Total	0	0	0	0	0	0	0	0	0	0	0	8	0	0	632	18	0	658
05:00 PM	0	0	0	0	0	0	0	0	0	0	0	0	0	0	147	4	0	151
05:15 PM	0	0	0	0	0	0	0	0	0	0	2	0	0	0	185	3	0	190
05:30 PM	0	0	0	0	0	0	0	0	0	0	1	0	0	0	153	5	0	159
05:45 PM	0	0	0	0	0	0	0	0	0	0	0	3	0	0	155	2	0	160
Total	0	0	0	0	0	0	0	0	0	0	0	6	0	0	640	14	0	660
Grand Total	0	0	0	0	0	0	0	0	0	0	0	14	0	0	1272	32	0	1318
Apprch %	0	0	0	0	0	0	0	0	0	0	0	100	0	0	97.5	2.5	0	
Total %	0	0	0	0	0	0	0	0	0	0	0	1.1	0	0	96.5	2.4	0	

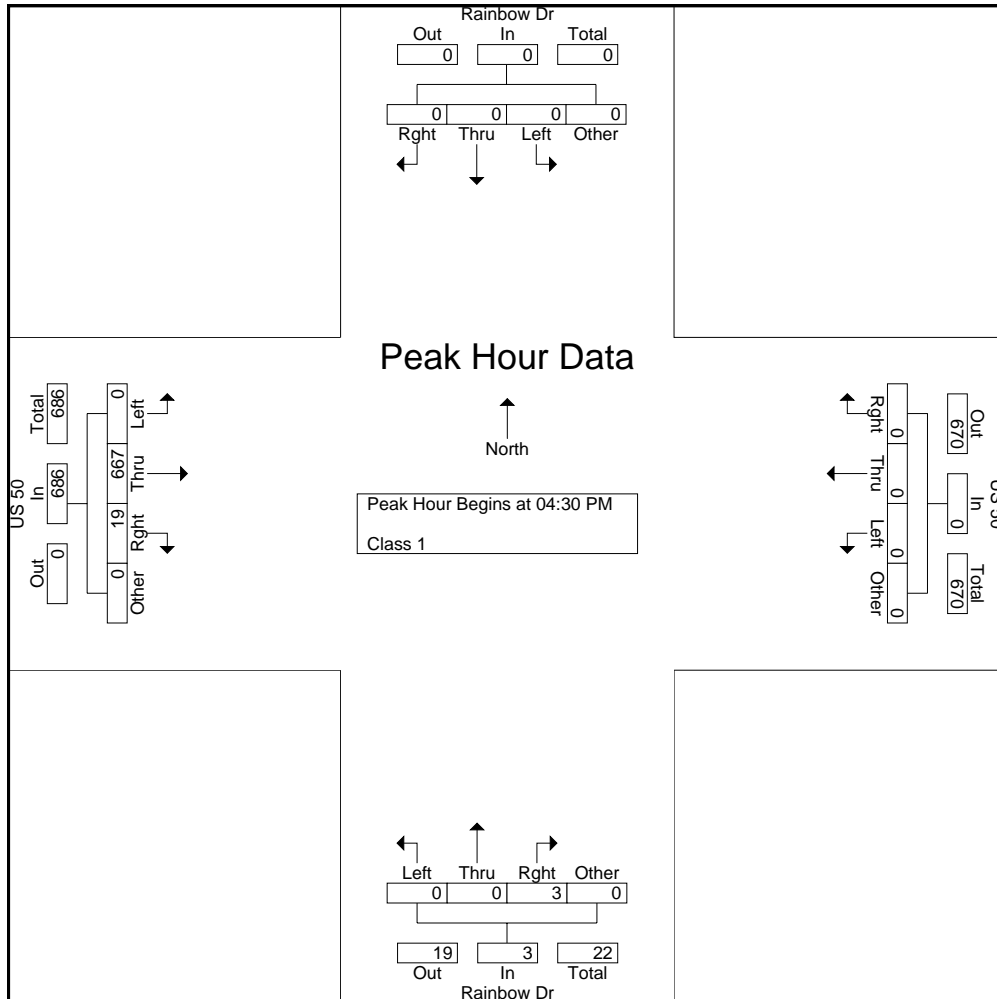




All Traffic Data Services, Inc.
 9660 W. 44th Ave.
 Wheat Ridge, CO 80033

File Name : #20 Rainbow Dr PM
 Site Code : 00000000
 Start Date : 10/16/2007
 Page No : 2

Start Time	Rainbow Dr Southbound					US 50 Westbound					Rainbow Dr Northbound					US 50 Eastbound					Int. Total
	Left	Thru	Right	Other	App. Total	Left	Thru	Right	Other	App. Total	Left	Thru	Right	Other	App. Total	Left	Thru	Right	Other	App. Total	
Peak Hour Analysis From 04:00 PM to 05:45 PM - Peak 1 of 1																					
Peak Hour for Entire Intersection Begins at 04:30 PM																					
04:30 PM	0	0	0	0	0	0	0	0	0	0	0	0	0	0	0	0	154	7	0	161	161
04:45 PM	0	0	0	0	0	0	0	0	0	0	0	0	1	0	1	0	181	5	0	186	187
05:00 PM	0	0	0	0	0	0	0	0	0	0	0	0	0	0	0	0	147	4	0	151	151
05:15 PM	0	0	0	0	0	0	0	0	0	0	0	0	2	0	2	0	185	3	0	188	190
Total Volume	0	0	0	0	0	0	0	0	0	0	0	0	3	0	3	0	667	19	0	686	689
% App. Total	0	0	0	0	0	0	0	0	0	0	0	0	100	0	0	0	97.2	2.8	0	0	0.912
PHF	.000	.000	.000	.000	.000	.000	.000	.000	.000	.000	.000	.000	.375	.000	.375	.000	.901	.679	.000	.912	.907



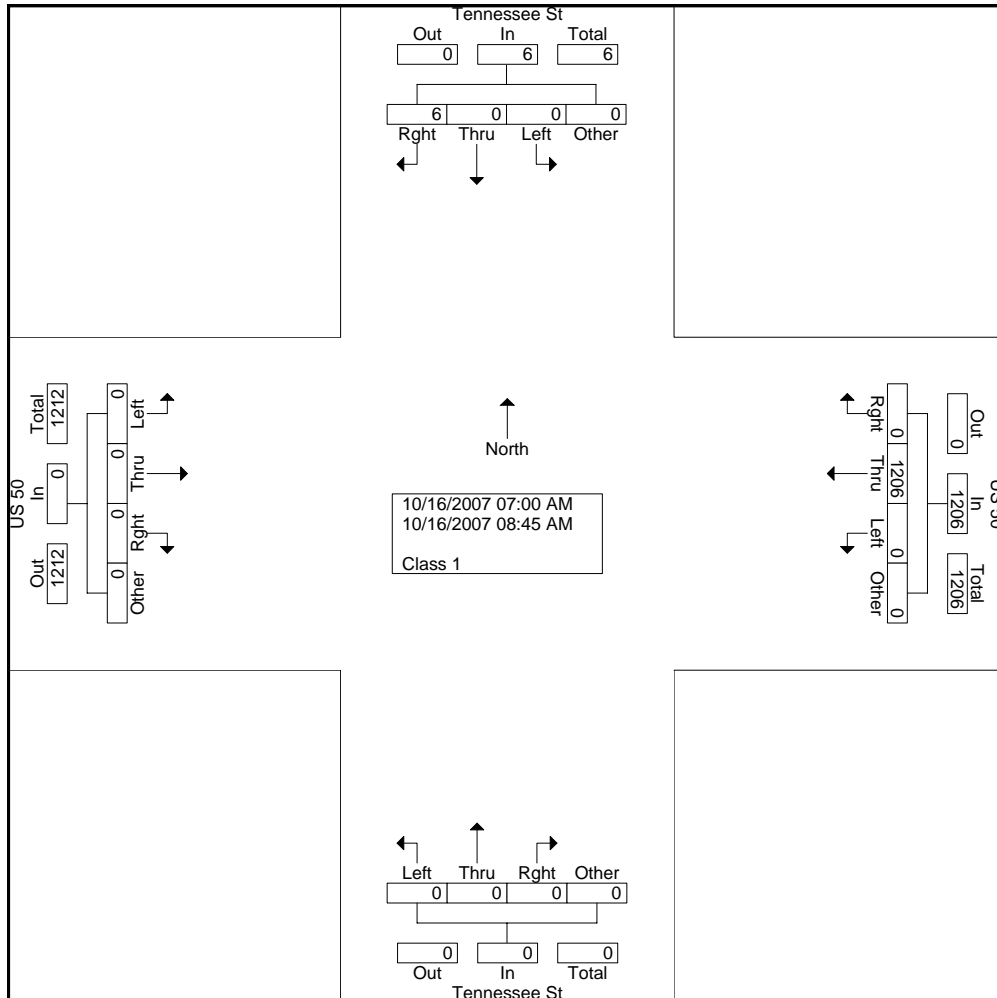


All Traffic Data Services, Inc.
 9660 W. 44th Ave.
 Wheat Ridge, CO 80033

File Name : #21 Tennessee St & US 50 AM
 Site Code : 00000000
 Start Date : 10/16/2007
 Page No : 1

Groups Printed- Class 1

Start Time	Tennessee St Southbound				US 50 Westbound				Tennessee St Northbound				US 50 Eastbound				Int. Total
	Left	Thru	Right	Other	Left	Thru	Right	Other	Left	Thru	Right	Other	Left	Thru	Right	Other	
07:00 AM	0	0	1	0	0	109	0	0	0	0	0	0	0	0	0	0	110
07:15 AM	0	0	1	0	0	172	0	0	0	0	0	0	0	0	0	0	173
07:30 AM	0	0	0	0	0	218	0	0	0	0	0	0	0	0	0	0	218
07:45 AM	0	0	2	0	0	161	0	0	0	0	0	0	0	0	0	0	163
Total	0	0	4	0	0	660	0	0	0	0	0	0	0	0	0	0	664
08:00 AM	0	0	0	0	0	139	0	0	0	0	0	0	0	0	0	0	139
08:15 AM	0	0	0	0	0	141	0	0	0	0	0	0	0	0	0	0	141
08:30 AM	0	0	1	0	0	133	0	0	0	0	0	0	0	0	0	0	134
08:45 AM	0	0	1	0	0	133	0	0	0	0	0	0	0	0	0	0	134
Total	0	0	2	0	0	546	0	0	0	0	0	0	0	0	0	0	548
Grand Total	0	0	6	0	0	1206	0	0	0	0	0	0	0	0	0	0	1212
Apprch %	0	0	100	0	0	100	0	0	0	0	0	0	0	0	0	0	
Total %	0	0	0.5	0	0	99.5	0	0	0	0	0	0	0	0	0	0	

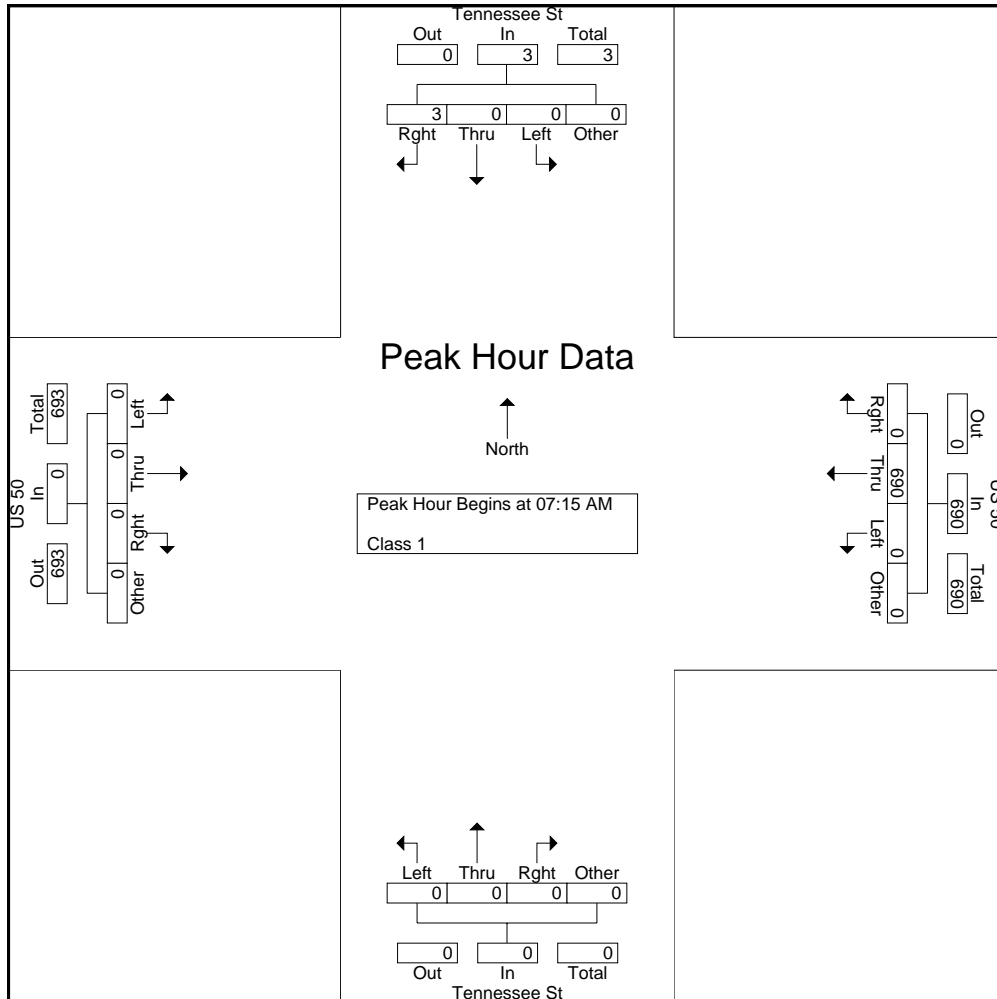




All Traffic Data Services, Inc.
 9660 W. 44th Ave.
 Wheat Ridge, CO 80033

File Name : #21 Tennessee St & US 50 AM
 Site Code : 00000000
 Start Date : 10/16/2007
 Page No : 2

Start Time	Tennessee St Southbound					US 50 Westbound					Tennessee St Northbound					US 50 Eastbound					Int. Total	
	Left	Thru	Right	Other	App. Total	Left	Thru	Right	Other	App. Total	Left	Thru	Right	Other	App. Total	Left	Thru	Right	Other	App. Total		
Peak Hour Analysis From 07:00 AM to 08:45 AM - Peak 1 of 1																						
Peak Hour for Entire Intersection Begins at 07:15 AM																						
07:15 AM	0	0	1	0	1	0	172	0	0	172	0	0	0	0	0	0	0	0	0	0	0	173
07:30 AM	0	0	0	0	0	0	218	0	0	218	0	0	0	0	0	0	0	0	0	0	0	218
07:45 AM	0	0	2	0	2	0	161	0	0	161	0	0	0	0	0	0	0	0	0	0	0	163
08:00 AM	0	0	0	0	0	0	139	0	0	139	0	0	0	0	0	0	0	0	0	0	0	139
Total Volume	0	0	3	0	3	0	690	0	0	690	0	0	0	0	0	0	0	0	0	0	0	693
% App. Total	0	0	100	0		0	100	0	0		0	0	0	0		0	0	0	0			
PHF	.000	.000	.375	.000	.375	.000	.791	.000	.000	.791	.000	.000	.000	.000	.000	.000	.000	.000	.000	.000	.795	



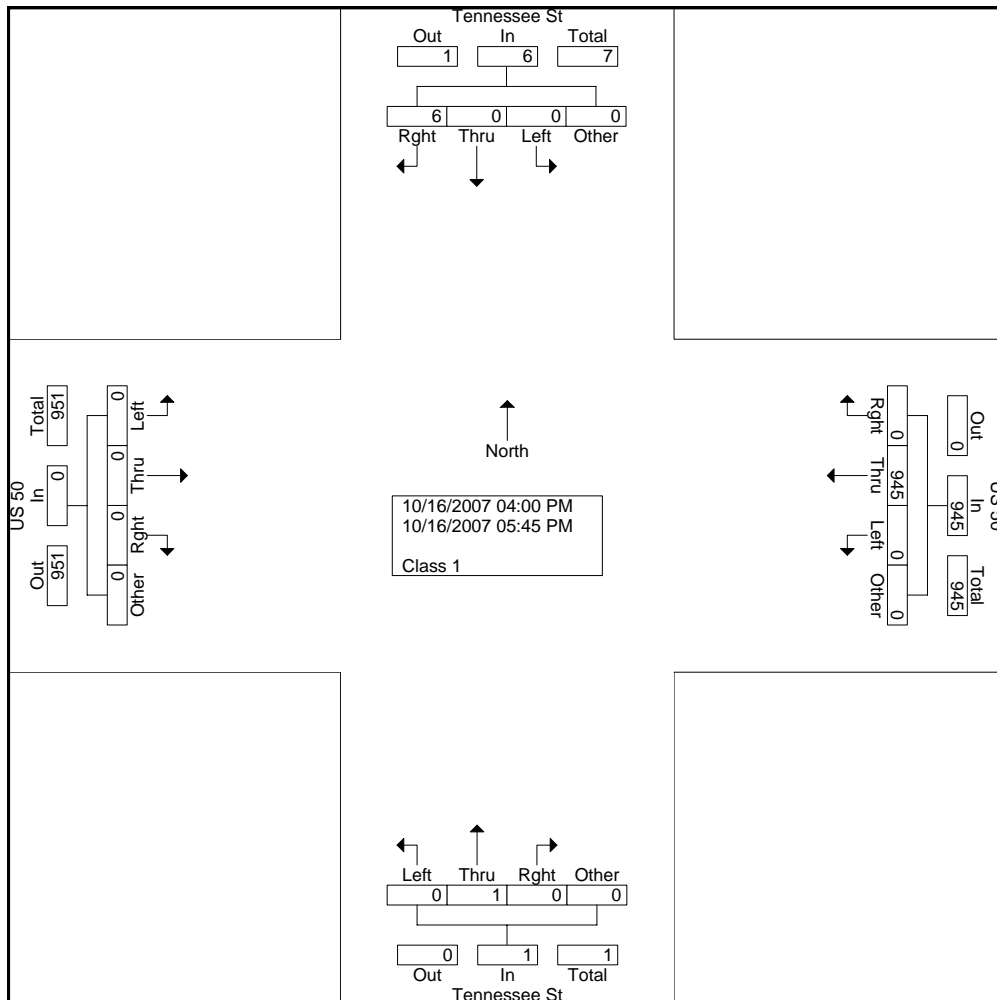


All Traffic Data Services, Inc.
 9660 W. 44th Ave.
 Wheat Ridge, CO 80033

File Name : #21 Tennessee St & US 50 PM
 Site Code : 00000000
 Start Date : 10/16/2007
 Page No : 1

Groups Printed- Class 1

Start Time	Tennessee St Southbound				US 50 Westbound				Tennessee St Northbound				US 50 Eastbound				Int. Total	
	Left	Thru	Right	Other	Left	Thru	Right	Other	Left	Thru	Right	Other	Left	Thru	Right	Other		
04:00 PM	0	0	0	0	0	124	0	0	0	1	0	0	0	0	0	0	0	125
04:15 PM	0	0	0	0	0	122	0	0	0	0	0	0	0	0	0	0	0	122
04:30 PM	0	0	1	0	0	114	0	0	0	0	0	0	0	0	0	0	0	115
04:45 PM	0	0	1	0	0	133	0	0	0	0	0	0	0	0	0	0	0	134
Total	0	0	2	0	0	493	0	0	0	1	0	0	0	0	0	0	0	496
05:00 PM	0	0	0	0	0	113	0	0	0	0	0	0	0	0	0	0	0	113
05:15 PM	0	0	2	0	0	114	0	0	0	0	0	0	0	0	0	0	0	116
05:30 PM	0	0	1	0	0	111	0	0	0	0	0	0	0	0	0	0	0	112
05:45 PM	0	0	1	0	0	114	0	0	0	0	0	0	0	0	0	0	0	115
Total	0	0	4	0	0	452	0	0	0	0	0	0	0	0	0	0	0	456
Grand Total	0	0	6	0	0	945	0	0	0	1	0	0	0	0	0	0	0	952
Apprch %	0	0	100	0	0	100	0	0	0	100	0	0	0	0	0	0	0	
Total %	0	0	0.6	0	0	99.3	0	0	0	0.1	0	0	0	0	0	0	0	

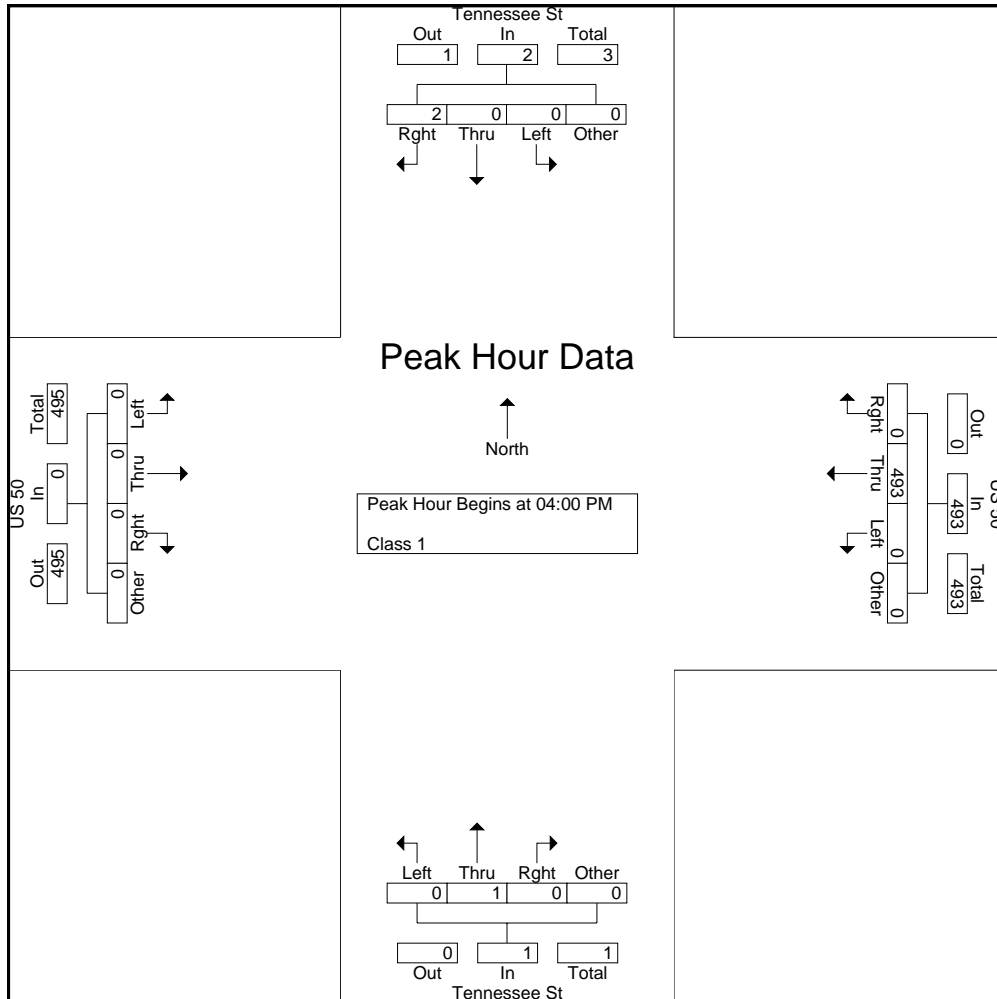




All Traffic Data Services, Inc.
 9660 W. 44th Ave.
 Wheat Ridge, CO 80033

File Name : #21 Tennessee St & US 50 PM
 Site Code : 00000000
 Start Date : 10/16/2007
 Page No : 2

Start Time	Tennessee St Southbound					US 50 Westbound					Tennessee St Northbound					US 50 Eastbound					Int. Total
	Left	Thru	Right	Other	App. Total	Left	Thru	Right	Other	App. Total	Left	Thru	Right	Other	App. Total	Left	Thru	Right	Other	App. Total	
Peak Hour Analysis From 04:00 PM to 05:45 PM - Peak 1 of 1																					
Peak Hour for Entire Intersection Begins at 04:00 PM																					
04:00 PM	0	0	0	0	0	0	124	0	0	124	0	1	0	0	1	0	0	0	0	0	125
04:15 PM	0	0	0	0	0	0	122	0	0	122	0	0	0	0	0	0	0	0	0	0	122
04:30 PM	0	0	1	0	1	0	114	0	0	114	0	0	0	0	0	0	0	0	0	0	115
04:45 PM	0	0	1	0	1	0	133	0	0	133	0	0	0	0	0	0	0	0	0	0	134
Total Volume	0	0	2	0	2	0	493	0	0	493	0	1	0	0	1	0	0	0	0	0	496
% App. Total	0	0	100	0		0	100	0	0		0	100	0	0		0	0	0	0		
PHF	.000	.000	.500	.000	.500	.000	.927	.000	.000	.927	.000	.250	.000	.000	.250	.000	.000	.000	.000	.000	.925



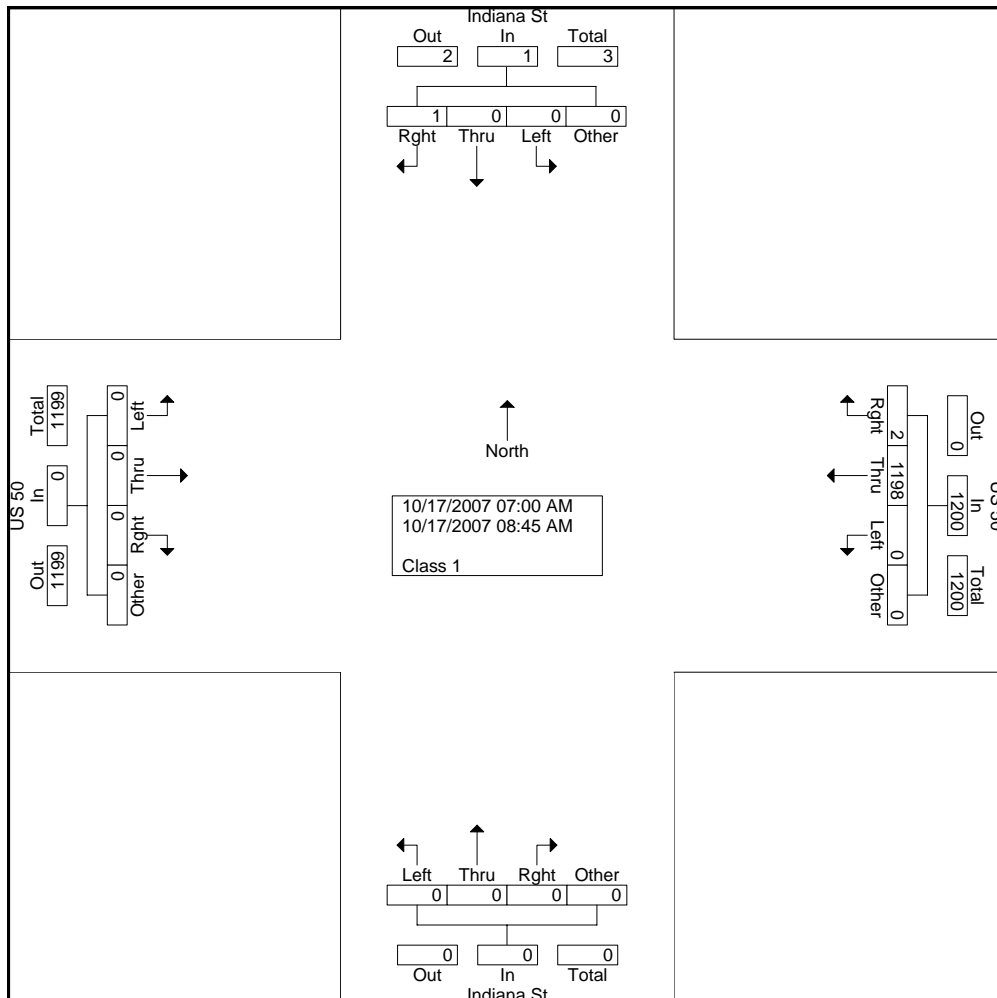


All Traffic Data Services, Inc.
 9660 W. 44th Ave.
 Wheat Ridge, CO 80033

File Name : #22 Indiana St & US 50 AM
 Site Code : 00000000
 Start Date : 10/17/2007
 Page No : 1

Groups Printed- Class 1

Start Time	Indiana St Southbound				US 50 Westbound				Indiana St Northbound				US 50 Eastbound				Int. Total	
	Left	Thru	Right	Other	Left	Thru	Right	Other	Left	Thru	Right	Other	Left	Thru	Right	Other		
07:00 AM	0	0	0	0	0	117	0	0	0	0	0	0	0	0	0	0	0	117
07:15 AM	0	0	0	0	0	168	0	0	0	0	0	0	0	0	0	0	0	168
07:30 AM	0	0	0	0	0	210	0	0	0	0	0	0	0	0	0	0	0	210
07:45 AM	0	0	0	0	0	161	1	0	0	0	0	0	0	0	0	0	0	162
Total	0	0	0	0	0	656	1	0	0	0	0	0	0	0	0	0	0	657
08:00 AM	0	0	0	0	0	141	0	0	0	0	0	0	0	0	0	0	0	141
08:15 AM	0	0	0	0	0	137	0	0	0	0	0	0	0	0	0	0	0	137
08:30 AM	0	0	0	0	0	135	1	0	0	0	0	0	0	0	0	0	0	136
08:45 AM	0	0	1	0	0	129	0	0	0	0	0	0	0	0	0	0	0	130
Total	0	0	1	0	0	542	1	0	0	0	0	0	0	0	0	0	0	544
Grand Total	0	0	1	0	0	1198	2	0	0	0	0	0	0	0	0	0	0	1201
Apprch %	0	0	100	0	0	99.8	0.2	0	0	0	0	0	0	0	0	0	0	
Total %	0	0	0.1	0	0	99.8	0.2	0	0	0	0	0	0	0	0	0	0	

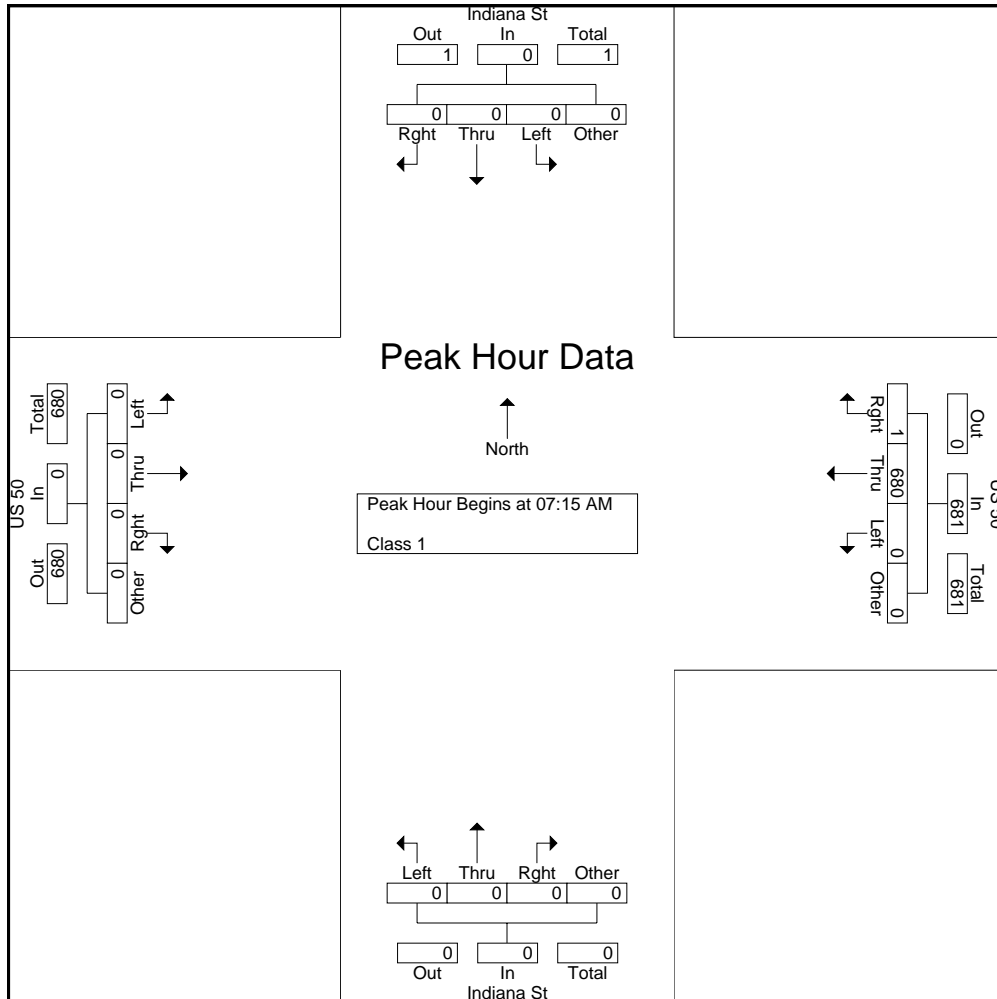




All Traffic Data Services, Inc.
 9660 W. 44th Ave.
 Wheat Ridge, CO 80033

File Name : #22 Indiana St & US 50 AM
 Site Code : 00000000
 Start Date : 10/17/2007
 Page No : 2

Start Time	Indiana St Southbound					US 50 Westbound					Indiana St Northbound					US 50 Eastbound					Int. Total
	Left	Thru	Right	Other	App. Total	Left	Thru	Right	Other	App. Total	Left	Thru	Right	Other	App. Total	Left	Thru	Right	Other	App. Total	
Peak Hour Analysis From 07:00 AM to 08:45 AM - Peak 1 of 1																					
Peak Hour for Entire Intersection Begins at 07:15 AM																					
07:15 AM	0	0	0	0	0	0	168	0	0	168	0	0	0	0	0	0	0	0	0	0	0
07:30 AM	0	0	0	0	0	0	210	0	0	210	0	0	0	0	0	0	0	0	0	0	0
07:45 AM	0	0	0	0	0	0	161	1	0	162	0	0	0	0	0	0	0	0	0	0	0
08:00 AM	0	0	0	0	0	0	141	0	0	141	0	0	0	0	0	0	0	0	0	0	0
Total Volume	0	0	0	0	0	0	680	1	0	681	0	0	0	0	0	0	0	0	0	0	0
% App. Total	0	0	0	0	0	0	99.9	0.1	0		0	0	0	0	0	0	0	0	0	0	
PHF	.000	.000	.000	.000	.000	.000	.810	.250	.000	.811	.000	.000	.000	.000	.000	.000	.000	.000	.000	.000	.811



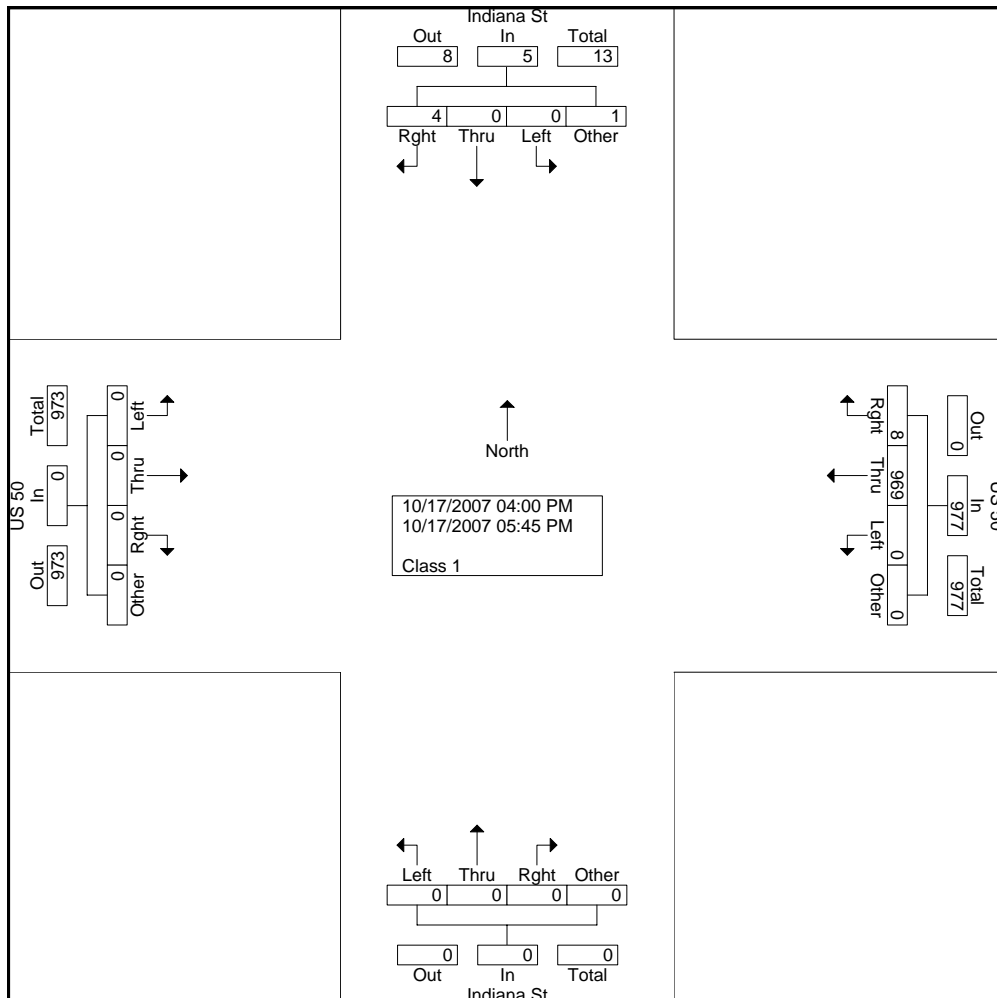


All Traffic Data Services, Inc.
 9660 W. 44th Ave.
 Wheat Ridge, CO 80033

File Name : #22 Indiana St & US 50 PM
 Site Code : 00000000
 Start Date : 10/17/2007
 Page No : 1

Groups Printed- Class 1

Start Time	Indiana St Southbound				US 50 Westbound				Indiana St Northbound				US 50 Eastbound				Int. Total	
	Left	Thru	Right	Other	Left	Thru	Right	Other	Left	Thru	Right	Other	Left	Thru	Right	Other		
04:00 PM	0	0	0	0	0	122	1	0	0	0	0	0	0	0	0	0	0	123
04:15 PM	0	0	0	1	0	128	0	0	0	0	0	0	0	0	0	0	0	129
04:30 PM	0	0	0	0	0	137	0	0	0	0	0	0	0	0	0	0	0	137
04:45 PM	0	0	1	0	0	133	2	0	0	0	0	0	0	0	0	0	0	136
Total	0	0	1	1	0	520	3	0	0	0	0	0	0	0	0	0	0	525
05:00 PM	0	0	2	0	0	120	1	0	0	0	0	0	0	0	0	0	0	123
05:15 PM	0	0	0	0	0	98	1	0	0	0	0	0	0	0	0	0	0	99
05:30 PM	0	0	0	0	0	114	1	0	0	0	0	0	0	0	0	0	0	115
05:45 PM	0	0	1	0	0	117	2	0	0	0	0	0	0	0	0	0	0	120
Total	0	0	3	0	0	449	5	0	0	0	0	0	0	0	0	0	0	457
Grand Total	0	0	4	1	0	969	8	0	0	0	0	0	0	0	0	0	0	982
Apprch %	0	0	80	20	0	99.2	0.8	0	0	0	0	0	0	0	0	0	0	
Total %	0	0	0.4	0.1	0	98.7	0.8	0	0	0	0	0	0	0	0	0	0	

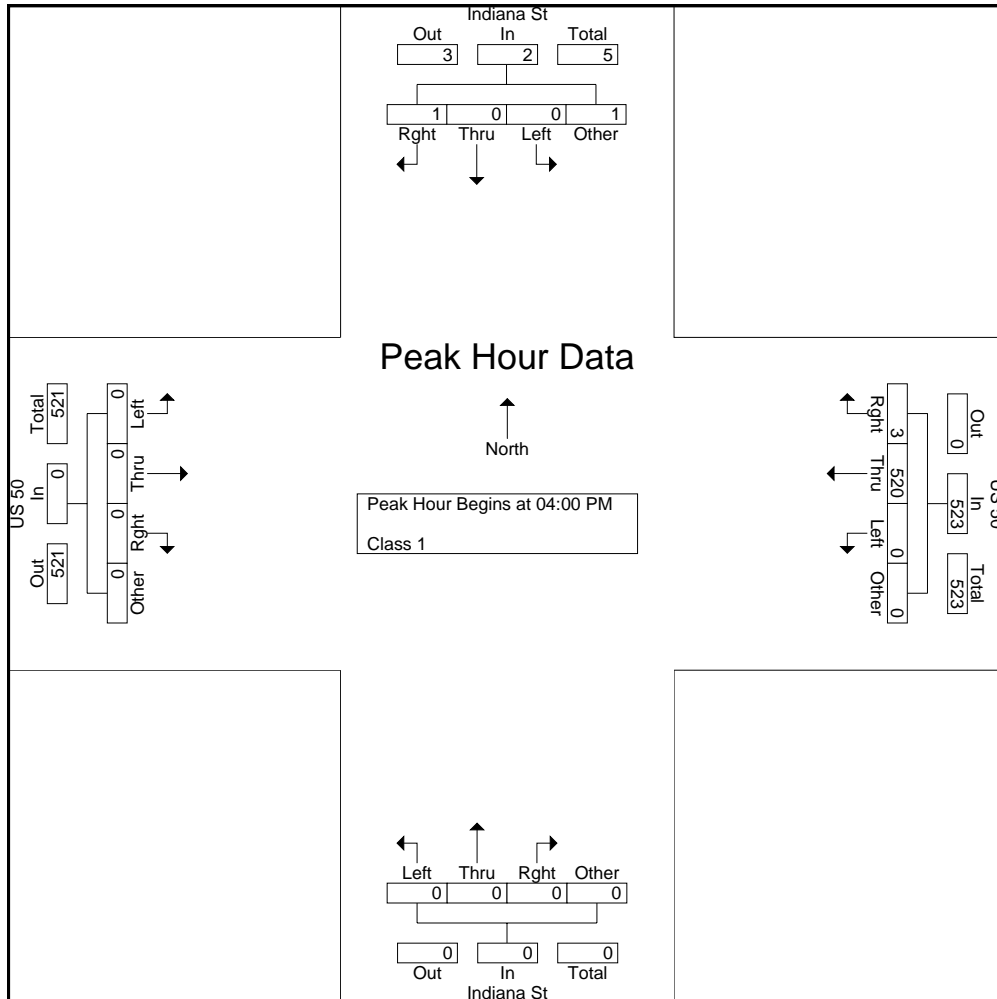




All Traffic Data Services, Inc.
 9660 W. 44th Ave.
 Wheat Ridge, CO 80033

File Name : #22 Indiana St & US 50 PM
 Site Code : 00000000
 Start Date : 10/17/2007
 Page No : 2

Start Time	Indiana St Southbound					US 50 Westbound					Indiana St Northbound					US 50 Eastbound					Int. Total	
	Left	Thru	Right	Other	App. Total	Left	Thru	Right	Other	App. Total	Left	Thru	Right	Other	App. Total	Left	Thru	Right	Other	App. Total		
Peak Hour Analysis From 04:00 PM to 05:45 PM - Peak 1 of 1																						
Peak Hour for Entire Intersection Begins at 04:00 PM																						
04:00 PM	0	0	0	0	0	0	122	1	0	123	0	0	0	0	0	0	0	0	0	0	0	123
04:15 PM	0	0	0	1	1	0	128	0	0	128	0	0	0	0	0	0	0	0	0	0	0	129
04:30 PM	0	0	0	0	0	0	137	0	0	137	0	0	0	0	0	0	0	0	0	0	0	137
04:45 PM	0	0	1	0	1	0	133	2	0	135	0	0	0	0	0	0	0	0	0	0	0	136
Total Volume	0	0	1	1	2	0	520	3	0	523	0	0	0	0	0	0	0	0	0	0	0	525
% App. Total	0	0	50	50		0	99.4	0.6	0		0	0	0	0		0	0	0	0			
PHF	.000	.000	.250	.250	.500	.000	.949	.375	.000	.954	.000	.000	.000	.000	.000	.000	.000	.000	.000	.000	.958	



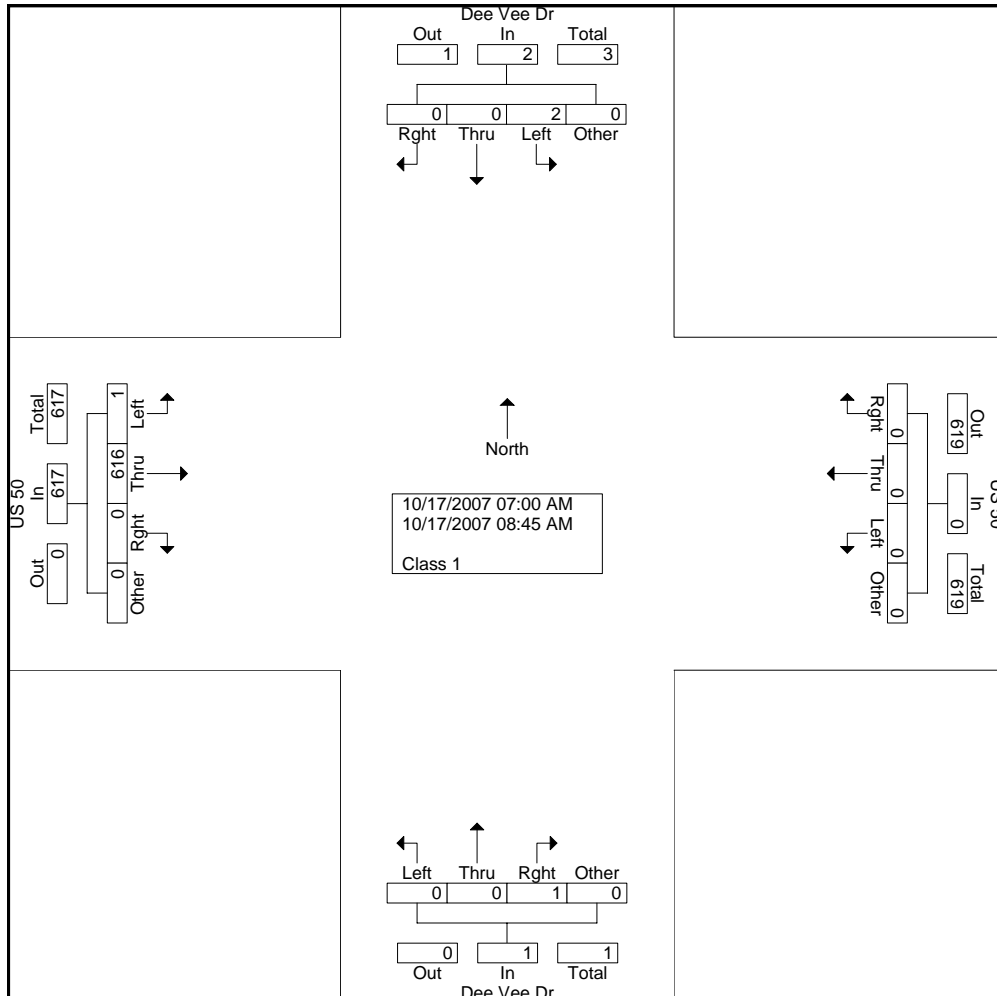


All Traffic Data Services, Inc.
 9660 W. 44th Ave.
 Wheat Ridge, CO 80033

File Name : #23 Dee Vee & US 50 AM
 Site Code : 00000000
 Start Date : 10/17/2007
 Page No : 1

Groups Printed- Class 1

Start Time	Dee Vee Dr Southbound				US 50 Westbound				Dee Vee Dr Northbound				US 50 Eastbound				Int. Total
	Left	Thru	Right	Other	Left	Thru	Right	Other	Left	Thru	Right	Other	Left	Thru	Right	Other	
07:00 AM	0	0	0	0	0	0	0	0	0	0	0	0	0	56	0	0	56
07:15 AM	0	0	0	0	0	0	0	0	0	0	0	0	0	81	0	0	81
07:30 AM	0	0	0	0	0	0	0	0	0	0	1	0	0	69	0	0	70
07:45 AM	1	0	0	0	0	0	0	0	0	0	0	0	0	73	0	0	74
Total	1	0	0	0	0	0	0	0	0	0	1	0	0	279	0	0	281
08:00 AM	0	0	0	0	0	0	0	0	0	0	0	0	0	92	0	0	92
08:15 AM	0	0	0	0	0	0	0	0	0	0	0	0	0	97	0	0	97
08:30 AM	0	0	0	0	0	0	0	0	0	0	0	0	0	74	0	0	74
08:45 AM	1	0	0	0	0	0	0	0	0	0	0	0	1	74	0	0	76
Total	1	0	0	0	0	0	0	0	0	0	0	0	1	337	0	0	339
Grand Total	2	0	0	0	0	0	0	0	0	0	1	0	1	616	0	0	620
Apprch %	100	0	0	0	0	0	0	0	0	0	100	0	0.2	99.8	0	0	
Total %	0.3	0	0	0	0	0	0	0	0	0	0.2	0	0.2	99.4	0	0	

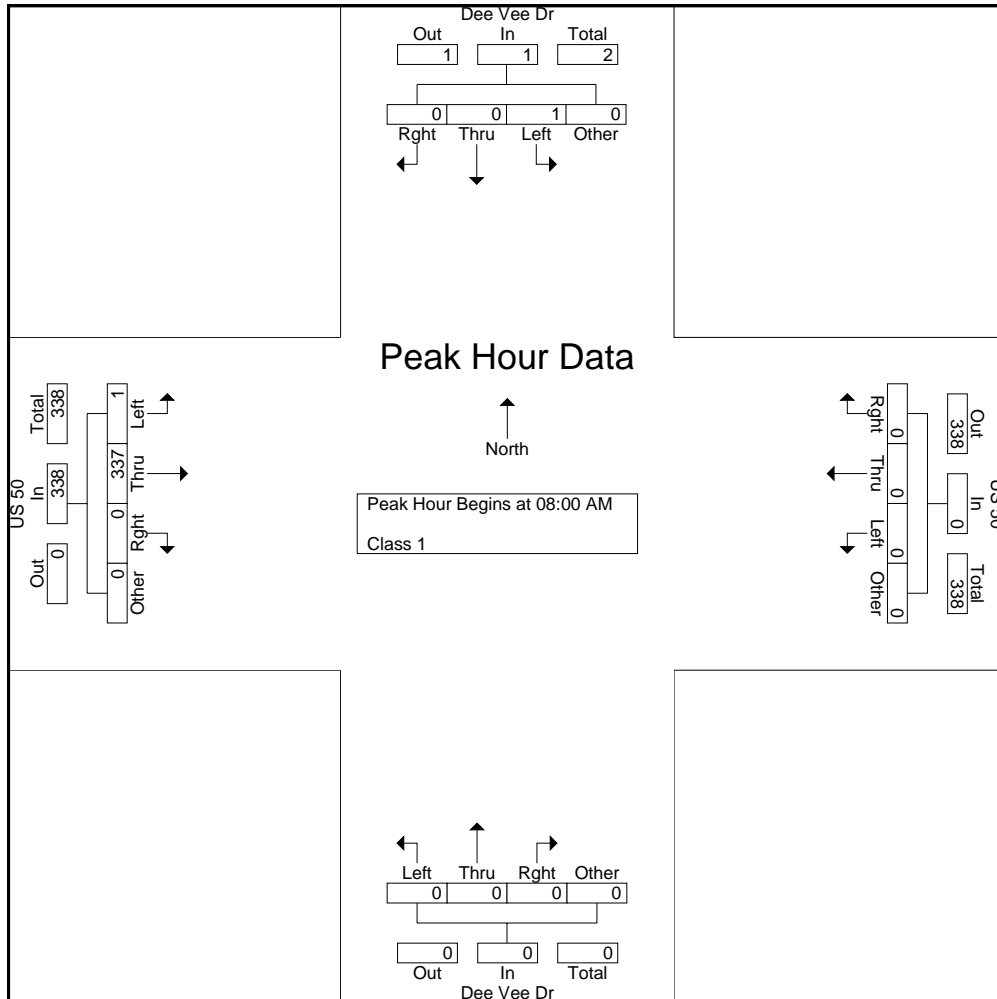




All Traffic Data Services, Inc.
 9660 W. 44th Ave.
 Wheat Ridge, CO 80033

File Name : #23 Dee Vee & US 50 AM
 Site Code : 00000000
 Start Date : 10/17/2007
 Page No : 2

Start Time	Dee Vee Dr Southbound					US 50 Westbound					Dee Vee Dr Northbound					US 50 Eastbound					Int. Total
	Left	Thru	Right	Other	App. Total	Left	Thru	Right	Other	App. Total	Left	Thru	Right	Other	App. Total	Left	Thru	Right	Other	App. Total	
Peak Hour Analysis From 07:00 AM to 08:45 AM - Peak 1 of 1																					
Peak Hour for Entire Intersection Begins at 08:00 AM																					
08:00 AM	0	0	0	0	0	0	0	0	0	0	0	0	0	0	0	0	92	0	0	92	92
08:15 AM	0	0	0	0	0	0	0	0	0	0	0	0	0	0	0	0	97	0	0	97	97
08:30 AM	0	0	0	0	0	0	0	0	0	0	0	0	0	0	0	0	74	0	0	74	74
08:45 AM	1	0	0	0	1	0	0	0	0	0	0	0	0	0	0	1	74	0	0	75	76
Total Volume	1	0	0	0	1	0	0	0	0	0	0	0	0	0	0	1	337	0	0	338	339
% App. Total	100	0	0	0		0	0	0	0		0	0	0	0		0.3	99.7	0	0		
PHF	.250	.000	.000	.000	.250	.000	.000	.000	.000	.000	.000	.000	.000	.000	.000	.250	.869	.000	.000	.871	.874



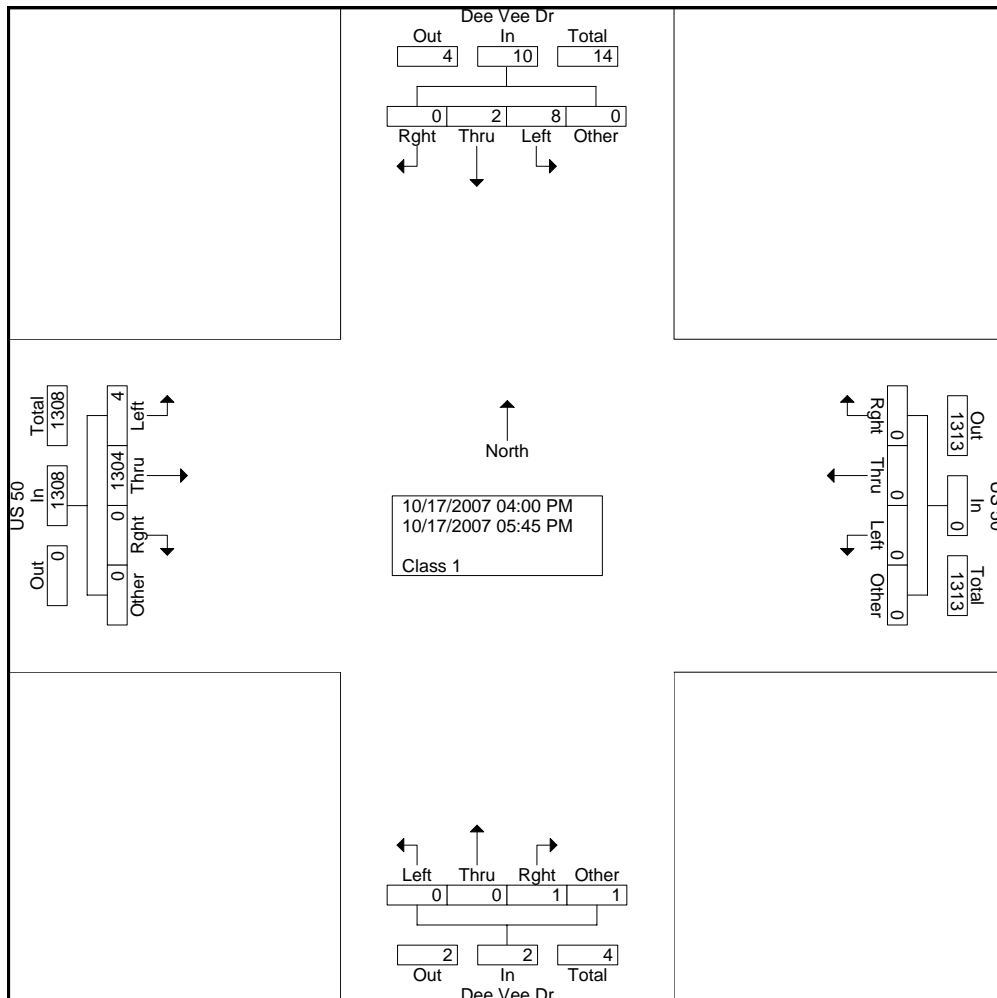


All Traffic Data Services, Inc.
 9660 W. 44th Ave.
 Wheat Ridge, CO 80033

File Name : #23 Dee Vee & US 50 PM
 Site Code : 00000000
 Start Date : 10/17/2007
 Page No : 1

Groups Printed- Class 1

Start Time	Dee Vee Dr Southbound				US 50 Westbound				Dee Vee Dr Northbound				US 50 Eastbound				Int. Total
	Left	Thru	Right	Other	Left	Thru	Right	Other	Left	Thru	Right	Other	Left	Thru	Right	Other	
04:00 PM	2	0	0	0	0	0	0	0	0	0	0	0	0	140	0	0	143
04:15 PM	0	0	0	0	0	0	0	0	0	0	0	0	0	169	0	0	169
04:30 PM	0	0	0	0	0	0	0	0	0	0	0	0	1	168	0	0	169
04:45 PM	1	1	0	0	0	0	0	0	0	0	0	0	1	172	0	0	175
Total	3	1	0	0	0	0	0	0	0	0	0	1	2	649	0	0	656
05:00 PM	2	0	0	0	0	0	0	0	0	0	1	0	1	160	0	0	164
05:15 PM	0	1	0	0	0	0	0	0	0	0	0	0	0	187	0	0	188
05:30 PM	1	0	0	0	0	0	0	0	0	0	0	0	0	139	0	0	140
05:45 PM	2	0	0	0	0	0	0	0	0	0	0	0	1	169	0	0	172
Total	5	1	0	0	0	0	0	0	0	0	1	0	2	655	0	0	664
Grand Total	8	2	0	0	0	0	0	0	0	0	1	1	4	1304	0	0	1320
Apprch %	80	20	0	0	0	0	0	0	0	0	50	50	0.3	99.7	0	0	
Total %	0.6	0.2	0	0	0	0	0	0	0	0	0.1	0.1	0.3	98.8	0	0	

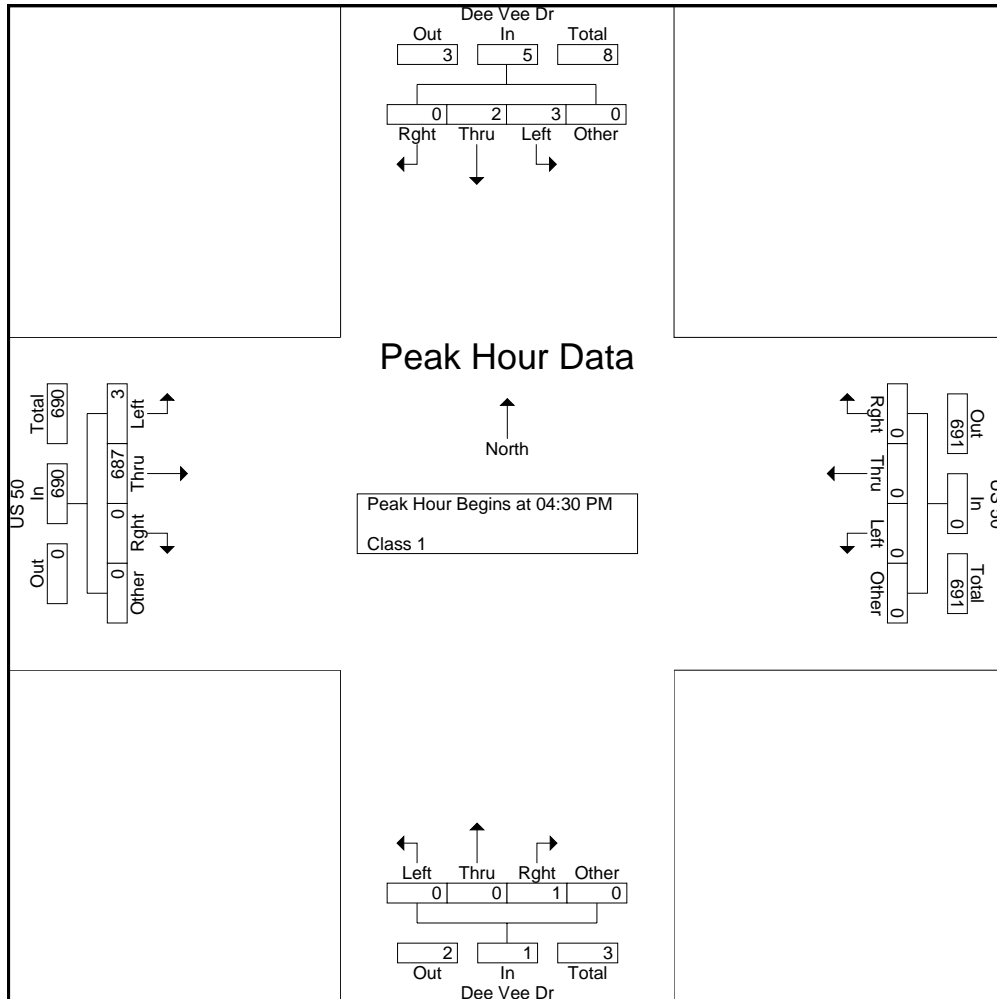




All Traffic Data Services, Inc.
 9660 W. 44th Ave.
 Wheat Ridge, CO 80033

File Name : #23 Dee Vee & US 50 PM
 Site Code : 00000000
 Start Date : 10/17/2007
 Page No : 2

Start Time	Dee Vee Dr Southbound					US 50 Westbound					Dee Vee Dr Northbound					US 50 Eastbound					Int. Total
	Left	Thru	Right	Other	App. Total	Left	Thru	Right	Other	App. Total	Left	Thru	Right	Other	App. Total	Left	Thru	Right	Other	App. Total	
Peak Hour Analysis From 04:00 PM to 05:45 PM - Peak 1 of 1																					
Peak Hour for Entire Intersection Begins at 04:30 PM																					
04:30 PM	0	0	0	0	0	0	0	0	0	0	0	0	0	0	0	1	168	0	0	169	169
04:45 PM	1	1	0	0	2	0	0	0	0	0	0	0	0	0	0	1	172	0	0	173	175
05:00 PM	2	0	0	0	2	0	0	0	0	0	0	0	1	0	1	1	160	0	0	161	164
05:15 PM	0	1	0	0	1	0	0	0	0	0	0	0	0	0	0	0	187	0	0	187	188
Total Volume	3	2	0	0	5	0	0	0	0	0	0	0	1	0	1	3	687	0	0	690	696
% App. Total	60	40	0	0		0	0	0	0		0	0	100	0		0.4	99.6	0	0		
PHF	.375	.500	.000	.000	.625	.000	.000	.000	.000	.000	.000	.000	.250	.000	.250	.750	.918	.000	.000	.922	.926



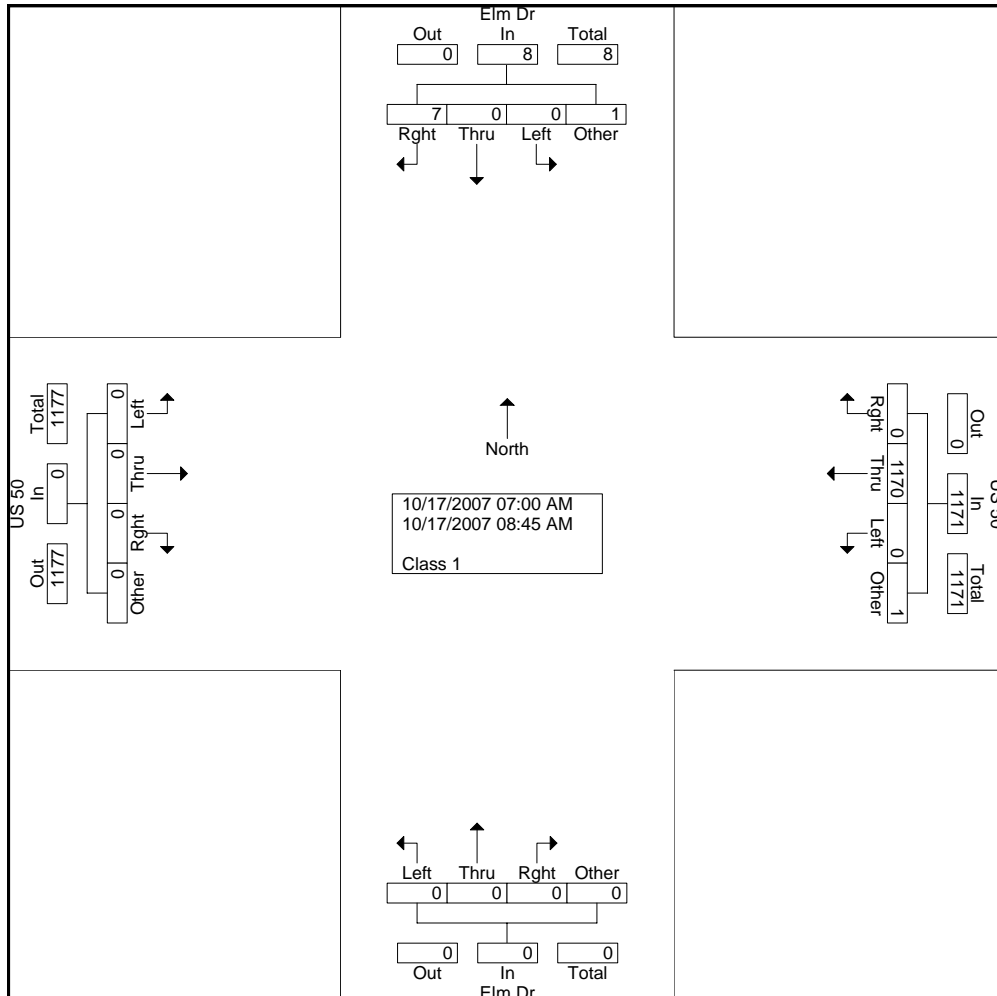


All Traffic Data Services, Inc.
 9660 W. 44th Ave.
 Wheat Ridge, CO 80033

File Name : #24 Elm Dr AM
 Site Code : 00000000
 Start Date : 10/17/2007
 Page No : 1

Groups Printed- Class 1

Start Time	Elm Dr Southbound				US 50 Westbound				Elm Dr Northbound				US 50 Eastbound				Int. Total
	Left	Thru	Right	Other	Left	Thru	Right	Other	Left	Thru	Right	Other	Left	Thru	Right	Other	
07:00 AM	0	0	1	0	0	112	0	0	0	0	0	0	0	0	0	0	113
07:15 AM	0	0	1	0	0	164	0	0	0	0	0	0	0	0	0	0	165
07:30 AM	0	0	1	0	0	199	0	0	0	0	0	0	0	0	0	0	200
07:45 AM	0	0	2	0	0	161	0	0	0	0	0	0	0	0	0	0	163
Total	0	0	5	0	0	636	0	0	0	0	0	0	0	0	0	0	641
08:00 AM	0	0	0	0	0	143	0	0	0	0	0	0	0	0	0	0	143
08:15 AM	0	0	0	0	0	127	0	0	0	0	0	0	0	0	0	0	127
08:30 AM	0	0	1	1	0	136	0	1	0	0	0	0	0	0	0	0	139
08:45 AM	0	0	1	0	0	128	0	0	0	0	0	0	0	0	0	0	129
Total	0	0	2	1	0	534	0	1	0	0	0	0	0	0	0	0	538
Grand Total	0	0	7	1	0	1170	0	1	0	0	0	0	0	0	0	0	1179
Apprch %	0	0	87.5	12.5	0	99.9	0	0.1	0	0	0	0	0	0	0	0	
Total %	0	0	0.6	0.1	0	99.2	0	0.1	0	0	0	0	0	0	0	0	

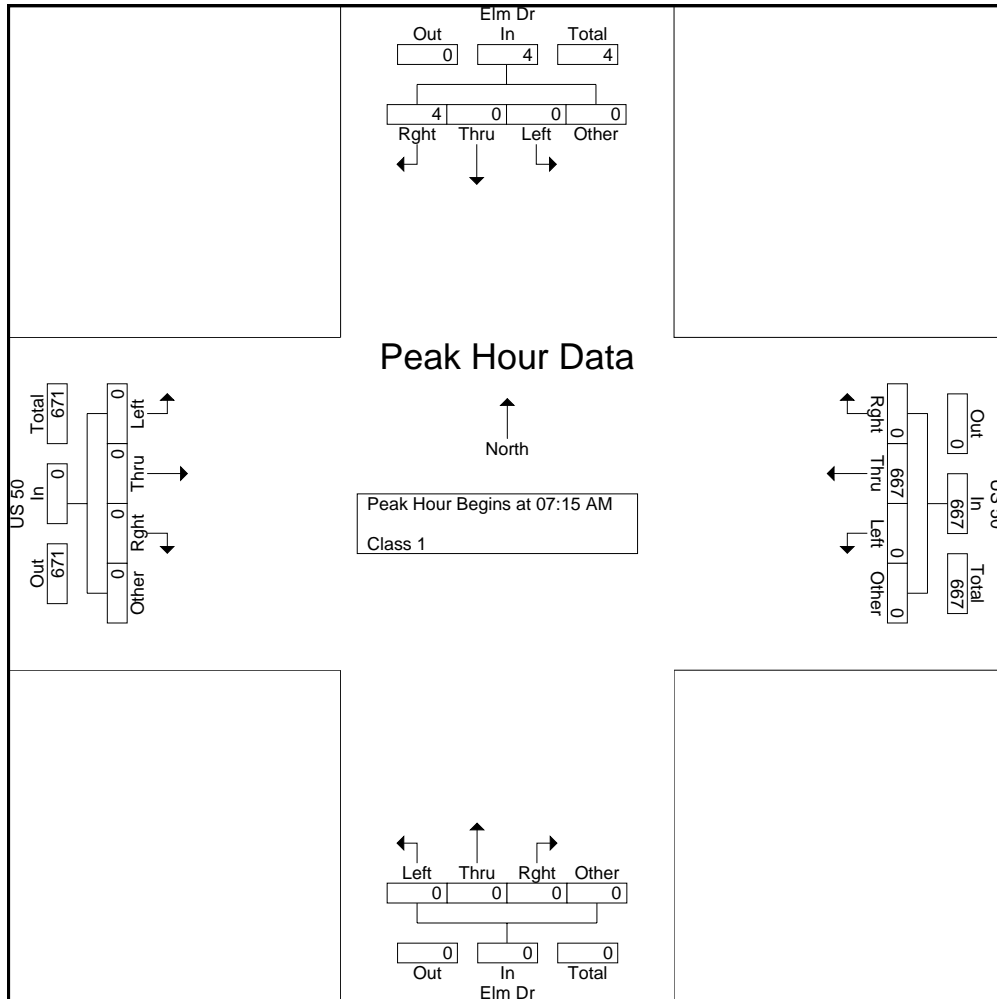




All Traffic Data Services, Inc.
 9660 W. 44th Ave.
 Wheat Ridge, CO 80033

File Name : #24 Elm Dr AM
 Site Code : 00000000
 Start Date : 10/17/2007
 Page No : 2

Start Time	Elm Dr Southbound					US 50 Westbound					Elm Dr Northbound					US 50 Eastbound					Int. Total
	Left	Thru	Right	Other	App. Total	Left	Thru	Right	Other	App. Total	Left	Thru	Right	Other	App. Total	Left	Thru	Right	Other	App. Total	
Peak Hour Analysis From 07:00 AM to 08:45 AM - Peak 1 of 1																					
Peak Hour for Entire Intersection Begins at 07:15 AM																					
07:15 AM	0	0	1	0	1	0	164	0	0	164	0	0	0	0	0	0	0	0	0	0	165
07:30 AM	0	0	1	0	1	0	199	0	0	199	0	0	0	0	0	0	0	0	0	0	200
07:45 AM	0	0	2	0	2	0	161	0	0	161	0	0	0	0	0	0	0	0	0	0	163
08:00 AM	0	0	0	0	0	0	143	0	0	143	0	0	0	0	0	0	0	0	0	0	143
Total Volume	0	0	4	0	4	0	667	0	0	667	0	0	0	0	0	0	0	0	0	0	671
% App. Total	0	0	100	0		0	100	0	0		0	0	0	0		0	0	0	0		
PHF	.000	.000	.500	.000	.500	.000	.838	.000	.000	.838	.000	.000	.000	.000	.000	.000	.000	.000	.000	.000	.839



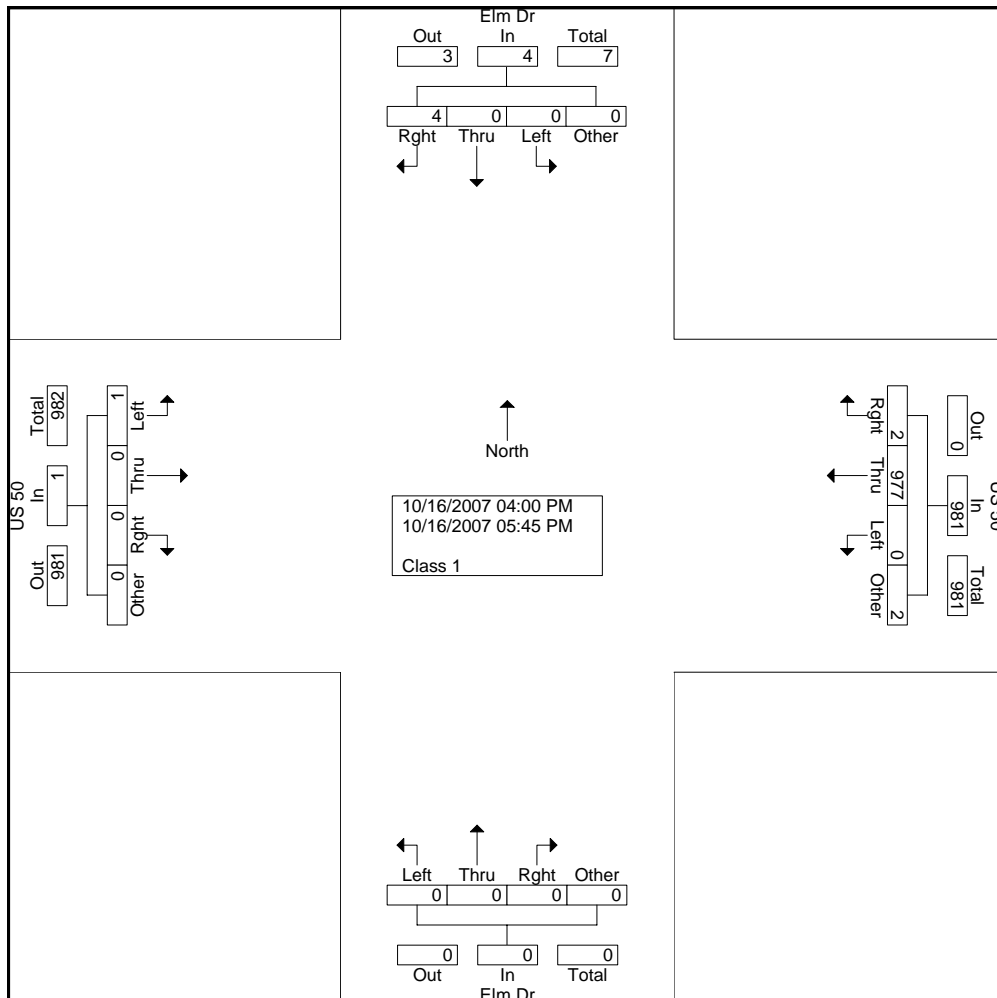


All Traffic Data Services, Inc.
 9660 W. 44th Ave.
 Wheat Ridge, CO 80033

File Name : #24 Elm Dr PM
 Site Code : 00000000
 Start Date : 10/16/2007
 Page No : 1

Groups Printed- Class 1

Start Time	Elm Dr Southbound				US 50 Westbound				Elm Dr Northbound				US 50 Eastbound				Int. Total
	Left	Thru	Right	Other	Left	Thru	Right	Other	Left	Thru	Right	Other	Left	Thru	Right	Other	
04:00 PM	0	0	0	0	0	128	0	0	0	0	0	0	0	0	0	0	128
04:15 PM	0	0	0	0	0	128	1	0	0	0	0	0	0	0	0	0	129
04:30 PM	0	0	0	0	0	135	0	0	0	0	0	0	0	0	0	0	135
04:45 PM	0	0	1	0	0	140	0	1	0	0	0	0	0	0	0	0	142
Total	0	0	1	0	0	531	1	1	0	0	0	0	0	0	0	0	534
05:00 PM	0	0	0	0	0	117	0	0	0	0	0	0	0	0	0	0	117
05:15 PM	0	0	0	0	0	103	0	0	0	0	0	0	0	0	0	0	103
05:30 PM	0	0	1	0	0	111	0	0	0	0	0	0	0	0	0	0	112
05:45 PM	0	0	2	0	0	115	1	1	0	0	0	0	1	0	0	0	120
Total	0	0	3	0	0	446	1	1	0	0	0	0	1	0	0	0	452
Grand Total	0	0	4	0	0	977	2	2	0	0	0	0	1	0	0	0	986
Apprch %	0	0	100	0	0	99.6	0.2	0.2	0	0	0	0	100	0	0	0	
Total %	0	0	0.4	0	0	99.1	0.2	0.2	0	0	0	0	0.1	0	0	0	

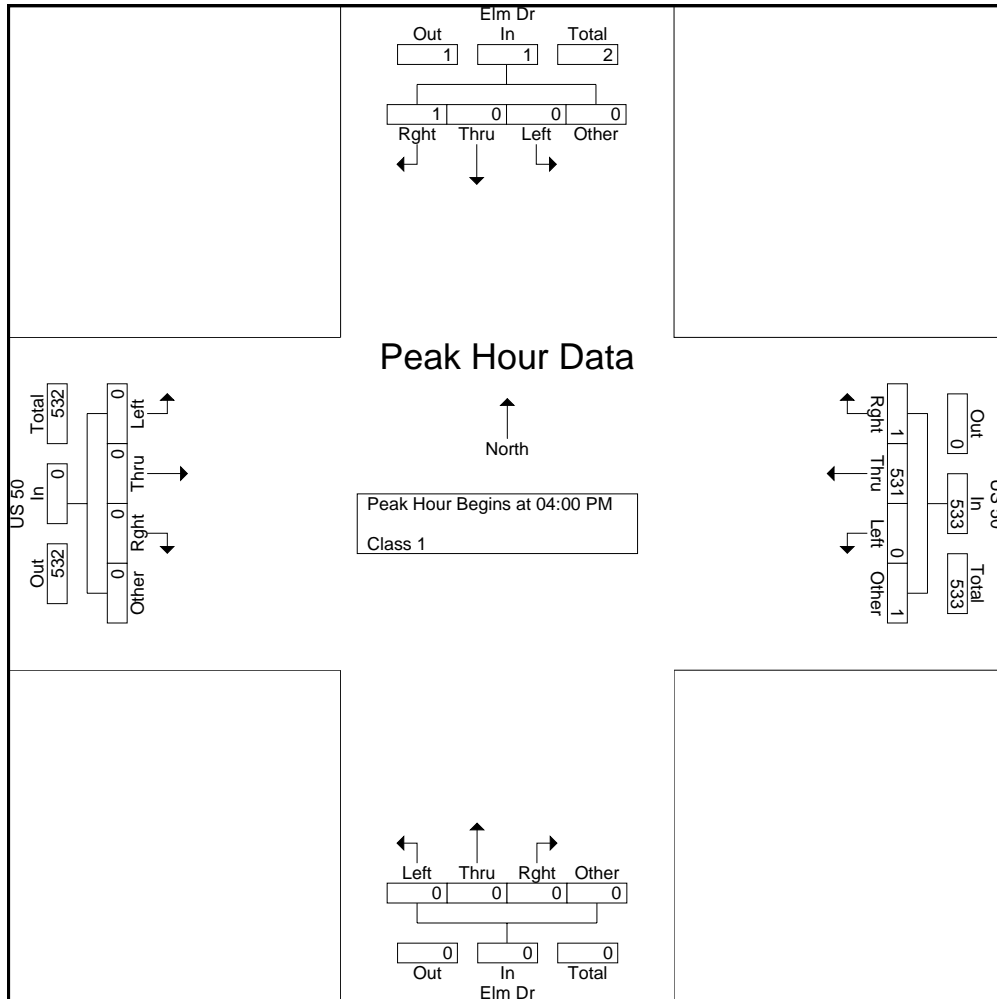




All Traffic Data Services, Inc.
 9660 W. 44th Ave.
 Wheat Ridge, CO 80033

File Name : #24 Elm Dr PM
 Site Code : 00000000
 Start Date : 10/16/2007
 Page No : 2

Start Time	Elm Dr Southbound					US 50 Westbound					Elm Dr Northbound					US 50 Eastbound					Int. Total
	Left	Thru	Right	Other	App. Total	Left	Thru	Right	Other	App. Total	Left	Thru	Right	Other	App. Total	Left	Thru	Right	Other	App. Total	
Peak Hour Analysis From 04:00 PM to 05:45 PM - Peak 1 of 1																					
Peak Hour for Entire Intersection Begins at 04:00 PM																					
04:00 PM	0	0	0	0	0	0	128	0	0	128	0	0	0	0	0	0	0	0	0	0	0
04:15 PM	0	0	0	0	0	0	128	1	0	129	0	0	0	0	0	0	0	0	0	0	0
04:30 PM	0	0	0	0	0	0	135	0	0	135	0	0	0	0	0	0	0	0	0	0	0
04:45 PM	0	0	1	0	1	0	140	0	1	141	0	0	0	0	0	0	0	0	0	0	0
Total Volume	0	0	1	0	1	0	531	1	1	533	0	0	0	0	0	0	0	0	0	0	0
% App. Total	0	0	100	0		0	99.6	0.2	0.2		0	0	0	0		0	0	0	0		
PHF	.000	.000	.250	.000	.250	.000	.948	.250	.250	.945	.000	.000	.000	.000	.000	.000	.000	.000	.000	.000	.940



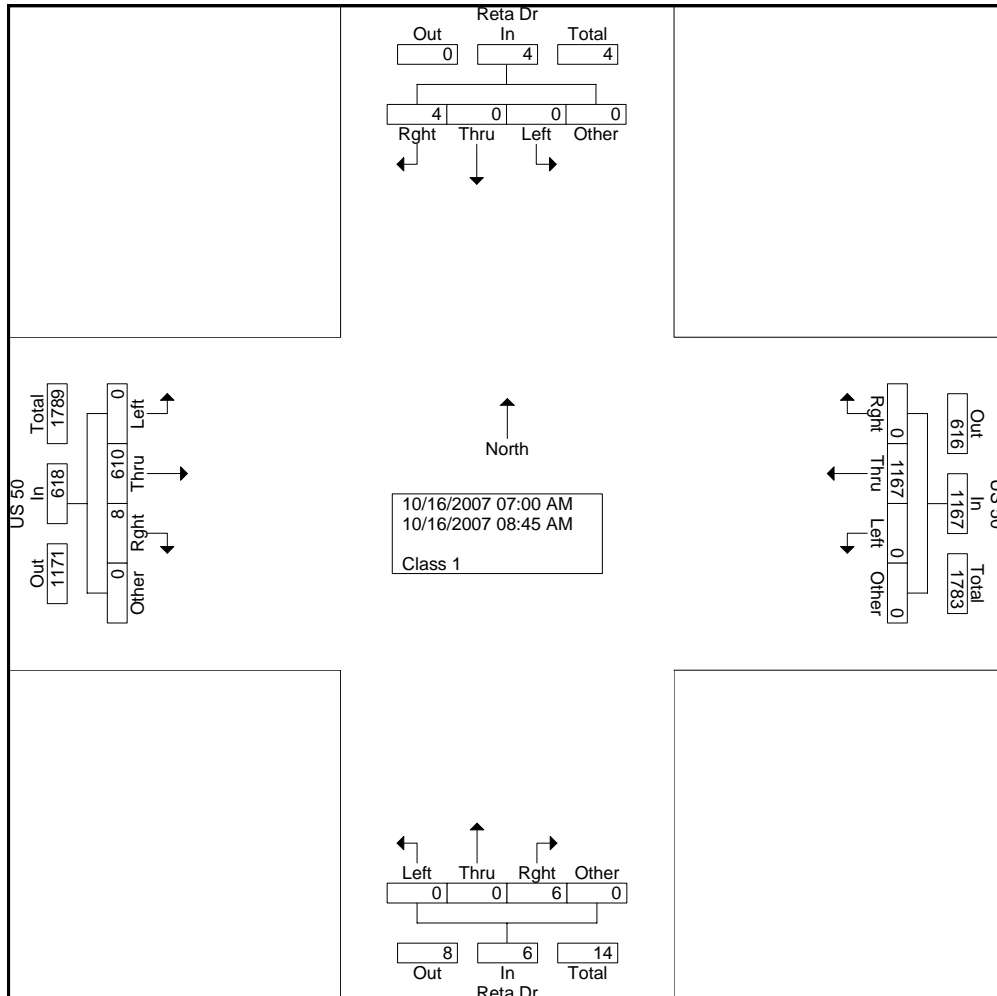


All Traffic Data Services, Inc.
 9660 W. 44th Ave.
 Wheat Ridge, CO 80033

File Name : #25 Reta Dr & US 50 AM
 Site Code : 00000000
 Start Date : 10/16/2007
 Page No : 1

Groups Printed- Class 1

Start Time	Reta Dr Southbound				US 50 Westbound				Reta Dr Northbound				US 50 Eastbound				Int. Total
	Left	Thru	Right	Other	Left	Thru	Right	Other	Left	Thru	Right	Other	Left	Thru	Right	Other	
07:00 AM	0	0	0	0	0	114	0	0	0	0	0	0	0	59	0	0	173
07:15 AM	0	0	0	0	0	162	0	0	0	0	0	0	0	79	1	0	242
07:30 AM	0	0	0	0	0	200	0	0	0	0	0	0	0	70	0	0	270
07:45 AM	0	0	1	0	0	159	0	0	0	0	1	0	0	70	2	0	233
Total	0	0	1	0	0	635	0	0	0	0	1	0	0	278	3	0	918
08:00 AM	0	0	1	0	0	147	0	0	0	0	2	0	0	94	1	0	245
08:15 AM	0	0	1	0	0	124	0	0	0	0	2	0	0	92	2	0	221
08:30 AM	0	0	0	0	0	132	0	0	0	0	1	0	0	70	1	0	204
08:45 AM	0	0	1	0	0	129	0	0	0	0	0	0	0	76	1	0	207
Total	0	0	3	0	0	532	0	0	0	0	5	0	0	332	5	0	877
Grand Total	0	0	4	0	0	1167	0	0	0	0	6	0	0	610	8	0	1795
Apprch %	0	0	100	0	0	100	0	0	0	0	100	0	0	98.7	1.3	0	
Total %	0	0	0.2	0	0	65	0	0	0	0	0.3	0	0	34	0.4	0	

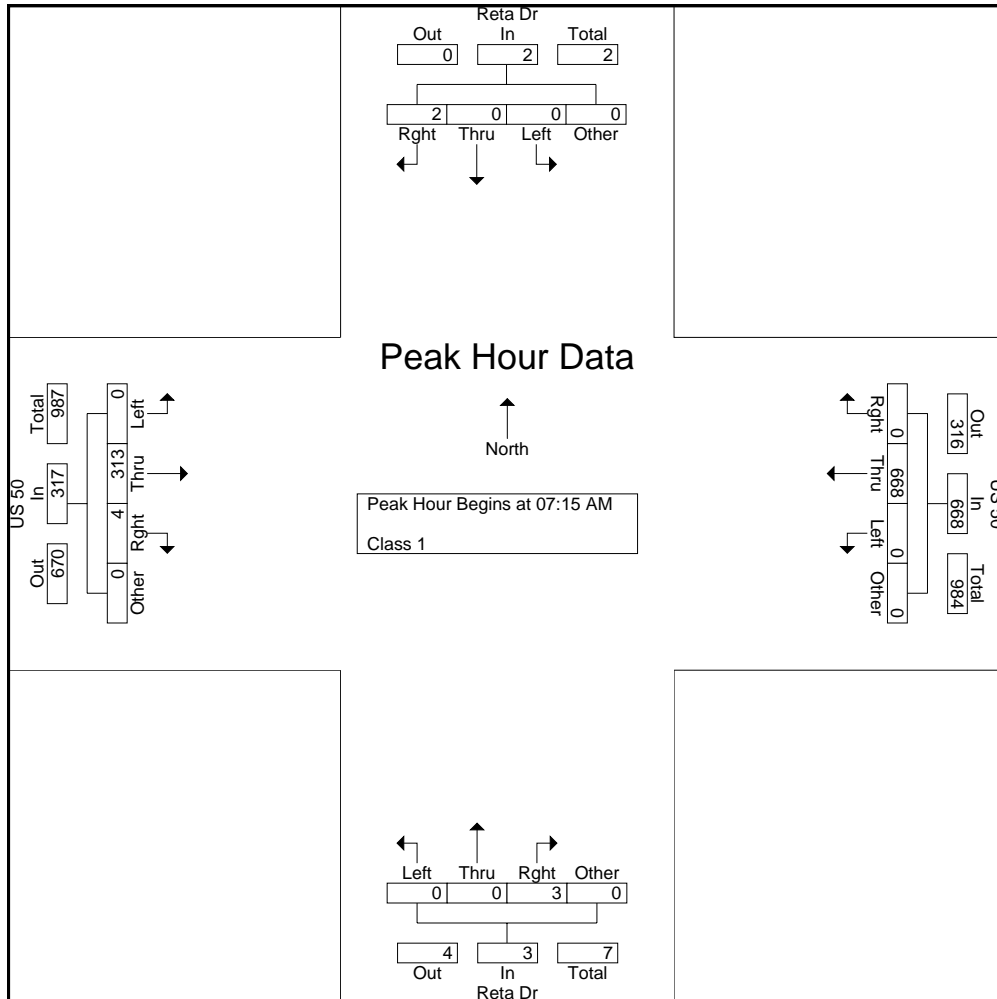




All Traffic Data Services, Inc.
 9660 W. 44th Ave.
 Wheat Ridge, CO 80033

File Name : #25 Reta Dr & US 50 AM
 Site Code : 00000000
 Start Date : 10/16/2007
 Page No : 2

Start Time	Reta Dr Southbound					US 50 Westbound					Reta Dr Northbound					US 50 Eastbound					Int. Total
	Left	Thru	Right	Other	App. Total	Left	Thru	Right	Other	App. Total	Left	Thru	Right	Other	App. Total	Left	Thru	Right	Other	App. Total	
Peak Hour Analysis From 07:00 AM to 08:45 AM - Peak 1 of 1																					
Peak Hour for Entire Intersection Begins at 07:15 AM																					
07:15 AM	0	0	0	0	0	0	162	0	0	162	0	0	0	0	0	0	79	1	0	80	242
07:30 AM	0	0	0	0	0	0	200	0	0	200	0	0	0	0	0	0	70	0	0	70	270
07:45 AM	0	0	1	0	1	0	159	0	0	159	0	0	1	0	1	0	70	2	0	72	233
08:00 AM	0	0	1	0	1	0	147	0	0	147	0	0	2	0	2	0	94	1	0	95	245
Total Volume	0	0	2	0	2	0	668	0	0	668	0	0	3	0	3	0	313	4	0	317	990
% App. Total	0	0	100	0		0	100	0	0		0	0	100	0		0	98.7	1.3	0		
PHF	.000	.000	.500	.000	.500	.000	.835	.000	.000	.835	.000	.000	.375	.000	.375	.000	.832	.500	.000	.834	.917



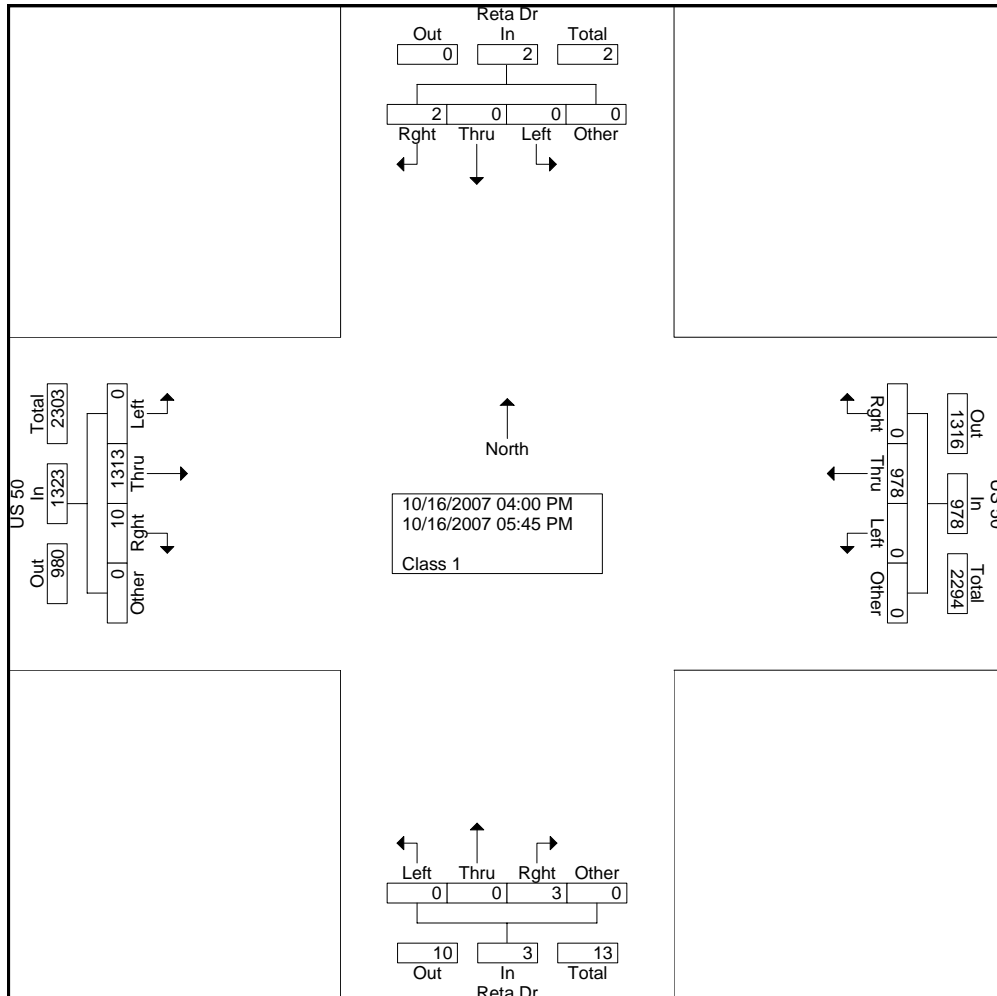


All Traffic Data Services, Inc.
 9660 W. 44th Ave.
 Wheat Ridge, CO 80033

File Name : #25 Reta Dr & US 50 PM
 Site Code : 00000000
 Start Date : 10/16/2007
 Page No : 1

Groups Printed- Class 1

Start Time	Reta Dr Southbound				US 50 Westbound				Reta Dr Northbound				US 50 Eastbound				Int. Total
	Left	Thru	Right	Other	Left	Thru	Right	Other	Left	Thru	Right	Other	Left	Thru	Right	Other	
04:00 PM	0	0	1	0	0	126	0	0	0	0	0	0	0	137	1	0	265
04:15 PM	0	0	0	0	0	125	0	0	0	0	1	0	0	167	0	0	293
04:30 PM	0	0	0	0	0	140	0	0	0	0	0	0	0	170	1	0	311
04:45 PM	0	0	0	0	0	138	0	0	0	0	0	0	0	177	1	0	316
Total	0	0	1	0	0	529	0	0	0	0	1	0	0	651	3	0	1185
05:00 PM	0	0	0	0	0	116	0	0	0	0	1	0	0	164	3	0	284
05:15 PM	0	0	0	0	0	104	0	0	0	0	0	0	0	189	1	0	294
05:30 PM	0	0	1	0	0	111	0	0	0	0	0	0	0	144	2	0	258
05:45 PM	0	0	0	0	0	118	0	0	0	0	1	0	0	165	1	0	285
Total	0	0	1	0	0	449	0	0	0	0	2	0	0	662	7	0	1121
Grand Total	0	0	2	0	0	978	0	0	0	0	3	0	0	1313	10	0	2306
Apprch %	0	0	100	0	0	100	0	0	0	0	100	0	0	99.2	0.8	0	
Total %	0	0	0.1	0	0	42.4	0	0	0	0	0.1	0	0	56.9	0.4	0	

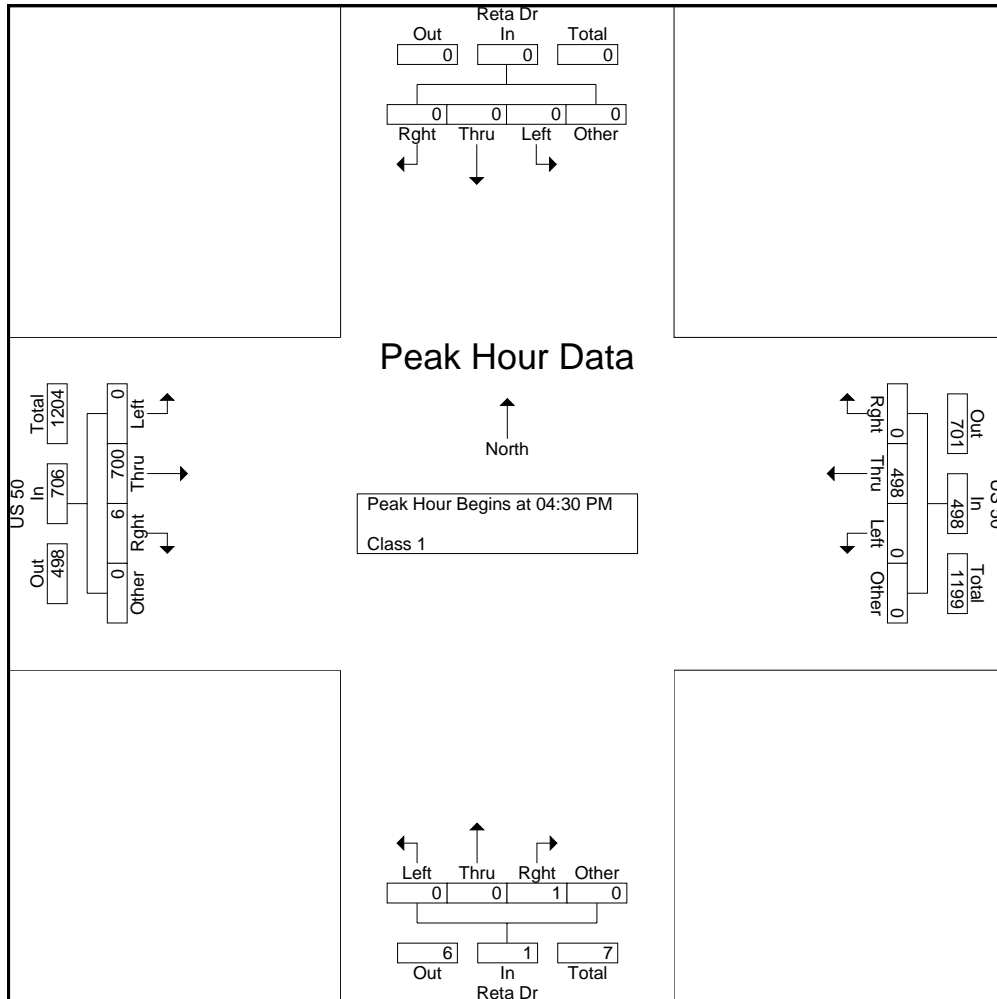




All Traffic Data Services, Inc.
 9660 W. 44th Ave.
 Wheat Ridge, CO 80033

File Name : #25 Reta Dr & US 50 PM
 Site Code : 00000000
 Start Date : 10/16/2007
 Page No : 2

Start Time	Reta Dr Southbound					US 50 Westbound					Reta Dr Northbound					US 50 Eastbound					Int. Total
	Left	Thru	Right	Other	App. Total	Left	Thru	Right	Other	App. Total	Left	Thru	Right	Other	App. Total	Left	Thru	Right	Other	App. Total	
Peak Hour Analysis From 04:00 PM to 05:45 PM - Peak 1 of 1																					
Peak Hour for Entire Intersection Begins at 04:30 PM																					
04:30 PM	0	0	0	0	0	0	140	0	0	140	0	0	0	0	0	0	170	1	0	171	311
04:45 PM	0	0	0	0	0	0	138	0	0	138	0	0	0	0	0	0	177	1	0	178	316
05:00 PM	0	0	0	0	0	0	116	0	0	116	0	0	1	0	1	0	164	3	0	167	284
05:15 PM	0	0	0	0	0	0	104	0	0	104	0	0	0	0	0	0	189	1	0	190	294
Total Volume	0	0	0	0	0	0	498	0	0	498	0	0	1	0	1	0	700	6	0	706	1205
% App. Total	0	0	0	0	0	0	100	0	0	100	0	0	100	0	100	0	99.2	0.8	0	100	
PHF	.000	.000	.000	.000	.000	.000	.889	.000	.000	.889	.000	.000	.250	.000	.250	.000	.926	.500	.000	.929	.953

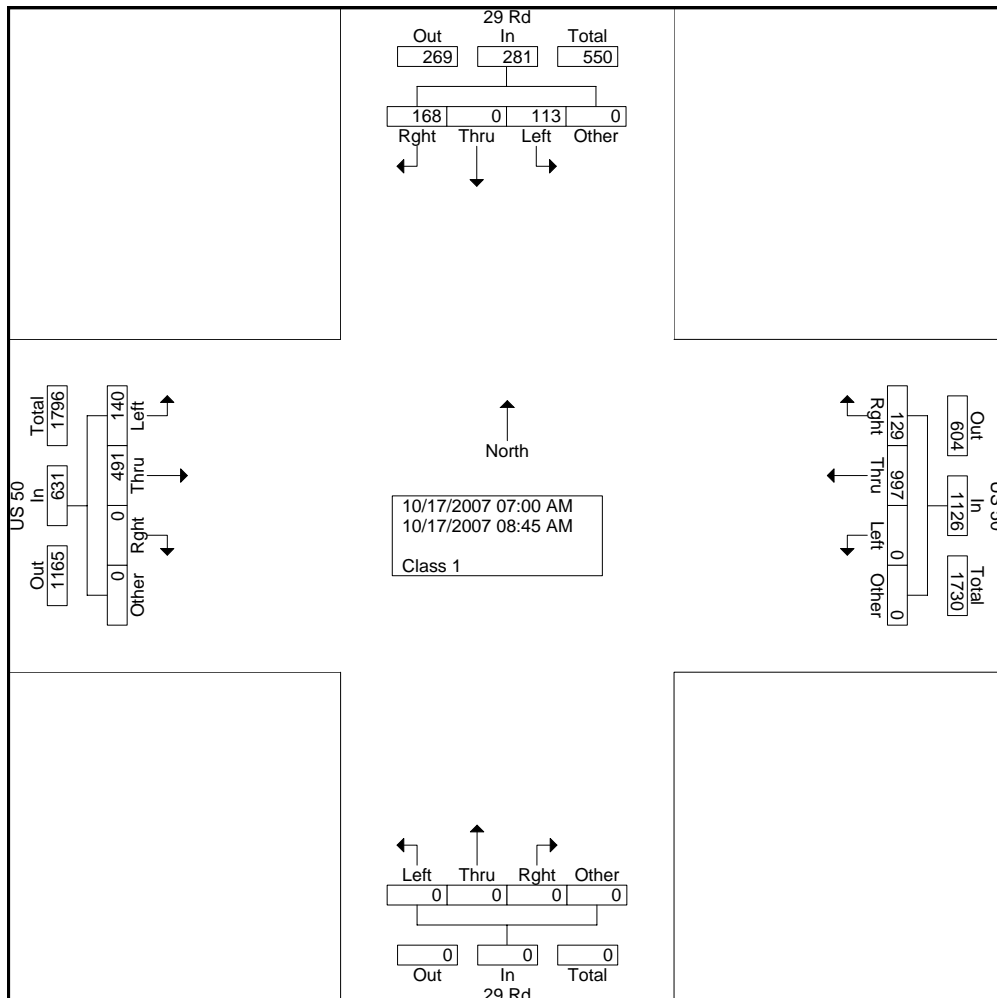




File Name : #26 29 Rd & US 50 AM
 Site Code : 00000000
 Start Date : 10/17/2007
 Page No : 1

Groups Printed- Class 1

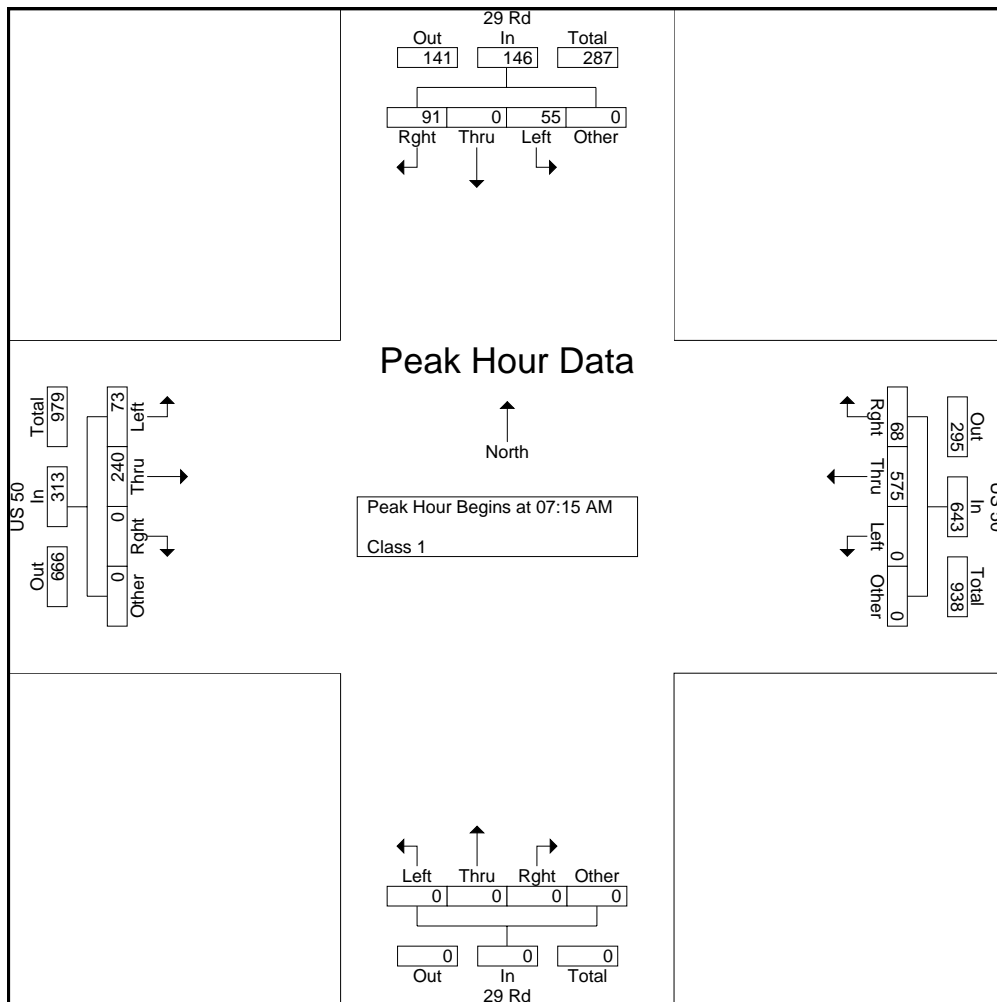
Start Time	29 Rd Southbound				US 50 Westbound				29 Rd Northbound				US 50 Eastbound				Int. Total
	Left	Thru	Rght	Other	Left	Thru	Rght	Other	Left	Thru	Rght	Other	Left	Thru	Rght	Other	
07:00 AM	9	0	19	0	0	87	19	0	0	0	0	0	14	45	0	0	193
07:15 AM	9	0	21	0	0	140	21	0	0	0	0	0	21	59	0	0	271
07:30 AM	9	0	25	0	0	176	19	0	0	0	0	0	17	56	0	0	302
07:45 AM	22	0	23	0	0	131	20	0	0	0	0	0	17	57	0	0	270
Total	49	0	88	0	0	534	79	0	0	0	0	0	69	217	0	0	1036
08:00 AM	15	0	22	0	0	128	8	0	0	0	0	0	18	68	0	0	259
08:15 AM	15	0	20	0	0	104	17	0	0	0	0	0	16	90	0	0	262
08:30 AM	16	0	20	0	0	116	14	0	0	0	0	0	16	59	0	0	241
08:45 AM	18	0	18	0	0	115	11	0	0	0	0	0	21	57	0	0	240
Total	64	0	80	0	0	463	50	0	0	0	0	0	71	274	0	0	1002
Grand Total	113	0	168	0	0	997	129	0	0	0	0	0	140	491	0	0	2038
Apprch %	40.2	0	59.8	0	0	88.5	11.5	0	0	0	0	0	22.2	77.8	0	0	
Total %	5.5	0	8.2	0	0	48.9	6.3	0	0	0	0	0	6.9	24.1	0	0	





File Name : #26 29 Rd & US 50 AM
 Site Code : 00000000
 Start Date : 10/17/2007
 Page No : 2

Start Time	29 Rd Southbound					US 50 Westbound					29 Rd Northbound					US 50 Eastbound					Int. Total
	Left	Thru	Rght	Other	App. Total	Left	Thru	Rght	Other	App. Total	Left	Thru	Rght	Other	App. Total	Left	Thru	Rght	Other	App. Total	
Peak Hour Analysis From 07:00 AM to 08:45 AM - Peak 1 of 1																					
Peak Hour for Entire Intersection Begins at 07:15 AM																					
07:15 AM	9	0	21	0	30	0	140	21	0	161	0	0	0	0	0	21	59	0	0	80	271
07:30 AM	9	0	25	0	34	0	176	19	0	195	0	0	0	0	0	17	56	0	0	73	302
07:45 AM	22	0	23	0	45	0	131	20	0	151	0	0	0	0	0	17	57	0	0	74	270
08:00 AM	15	0	22	0	37	0	128	8	0	136	0	0	0	0	0	18	68	0	0	86	259
Total Volume	55	0	91	0	146	0	575	68	0	643	0	0	0	0	0	73	240	0	0	313	1102
% App. Total	37.7	0	62.3	0		0	89.4	10.6	0		0	0	0	0		23.3	76.7	0	0		
PHF	.625	.000	.910	.000	.811	.000	.817	.810	.000	.824	.000	.000	.000	.000	.000	.869	.882	.000	.000	.910	.912

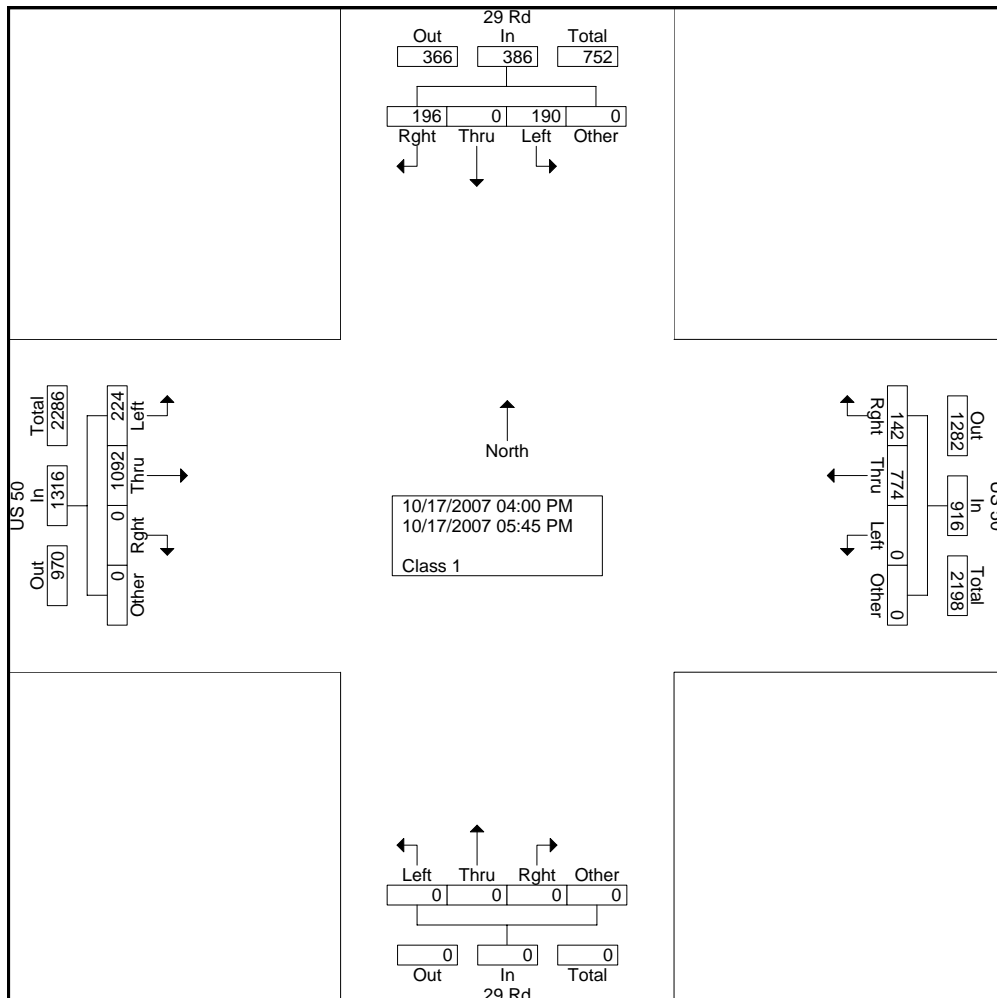




File Name : #26 29 Rd & US 50 PM
 Site Code : 00000000
 Start Date : 10/17/2007
 Page No : 1

Groups Printed- Class 1

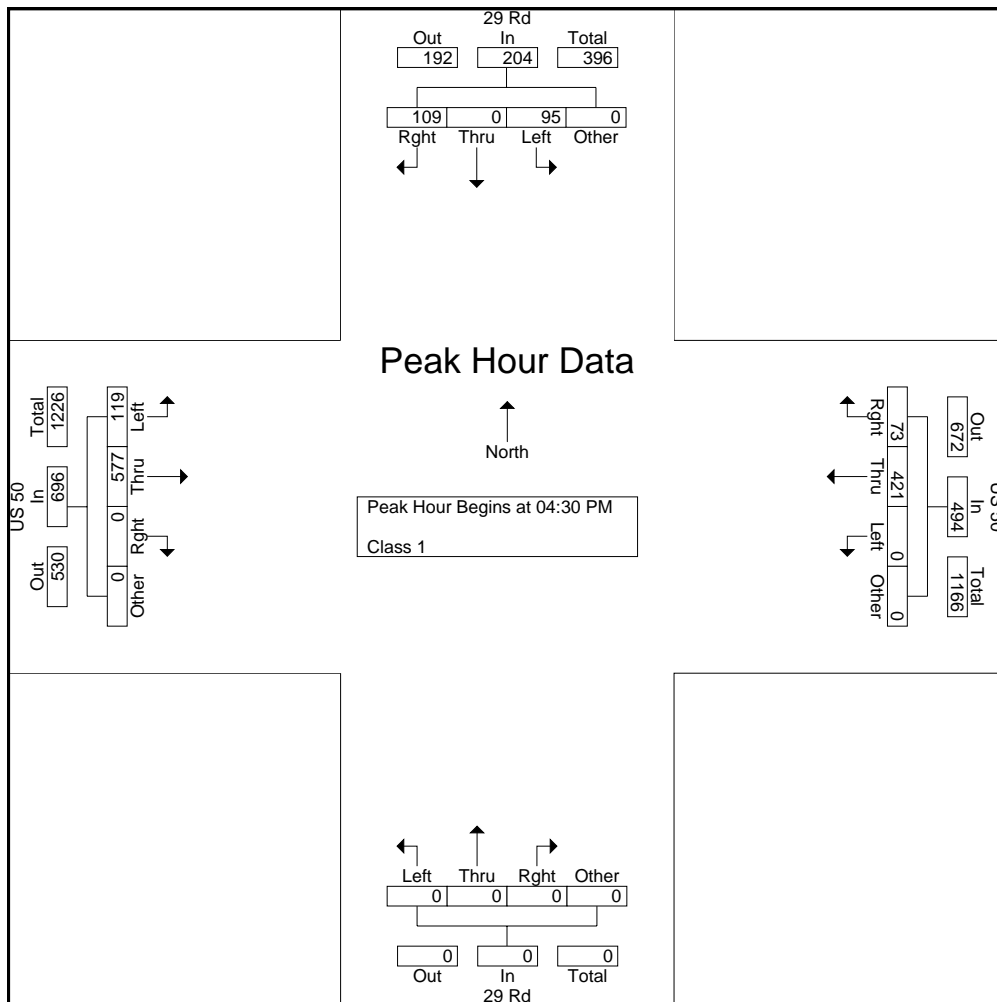
Start Time	29 Rd Southbound				US 50 Westbound				29 Rd Northbound				US 50 Eastbound				Int. Total
	Left	Thru	Right	Other	Left	Thru	Right	Other	Left	Thru	Right	Other	Left	Thru	Right	Other	
04:00 PM	22	0	16	0	0	101	24	0	0	0	0	0	35	118	0	0	316
04:15 PM	22	0	22	0	0	100	20	0	0	0	0	0	16	152	0	0	332
04:30 PM	23	0	31	0	0	121	19	0	0	0	0	0	26	134	0	0	354
04:45 PM	27	0	26	0	0	123	22	0	0	0	0	0	32	145	0	0	375
Total	94	0	95	0	0	445	85	0	0	0	0	0	109	549	0	0	1377
05:00 PM	22	0	27	0	0	89	17	0	0	0	0	0	27	136	0	0	318
05:15 PM	23	0	25	0	0	88	15	0	0	0	0	0	34	162	0	0	347
05:30 PM	29	0	26	0	0	81	11	0	0	0	0	0	25	122	0	0	294
05:45 PM	22	0	23	0	0	71	14	0	0	0	0	0	29	123	0	0	282
Total	96	0	101	0	0	329	57	0	0	0	0	0	115	543	0	0	1241
Grand Total	190	0	196	0	0	774	142	0	0	0	0	0	224	1092	0	0	2618
Apprch %	49.2	0	50.8	0	0	84.5	15.5	0	0	0	0	0	17	83	0	0	
Total %	7.3	0	7.5	0	0	29.6	5.4	0	0	0	0	0	8.6	41.7	0	0	





File Name : #26 29 Rd & US 50 PM
 Site Code : 00000000
 Start Date : 10/17/2007
 Page No : 2

Start Time	29 Rd Southbound					US 50 Westbound					29 Rd Northbound					US 50 Eastbound					Int. Total
	Left	Thru	Rght	Other	App. Total	Left	Thru	Rght	Other	App. Total	Left	Thru	Rght	Other	App. Total	Left	Thru	Rght	Other	App. Total	
Peak Hour Analysis From 04:00 PM to 05:45 PM - Peak 1 of 1																					
Peak Hour for Entire Intersection Begins at 04:30 PM																					
04:30 PM	23	0	31	0	54	0	121	19	0	140	0	0	0	0	0	26	134	0	0	160	354
04:45 PM	27	0	26	0	53	0	123	22	0	145	0	0	0	0	0	32	145	0	0	177	375
05:00 PM	22	0	27	0	49	0	89	17	0	106	0	0	0	0	0	27	136	0	0	163	318
05:15 PM	23	0	25	0	48	0	88	15	0	103	0	0	0	0	0	34	162	0	0	196	347
Total Volume	95	0	109	0	204	0	421	73	0	494	0	0	0	0	0	119	577	0	0	696	1394
% App. Total	46.6	0	53.4	0		0	85.2	14.8	0		0	0	0	0		17.1	82.9	0	0		
PHF	.880	.000	.879	.000	.944	.000	.856	.830	.000	.852	.000	.000	.000	.000	.000	.875	.890	.000	.000	.888	.929

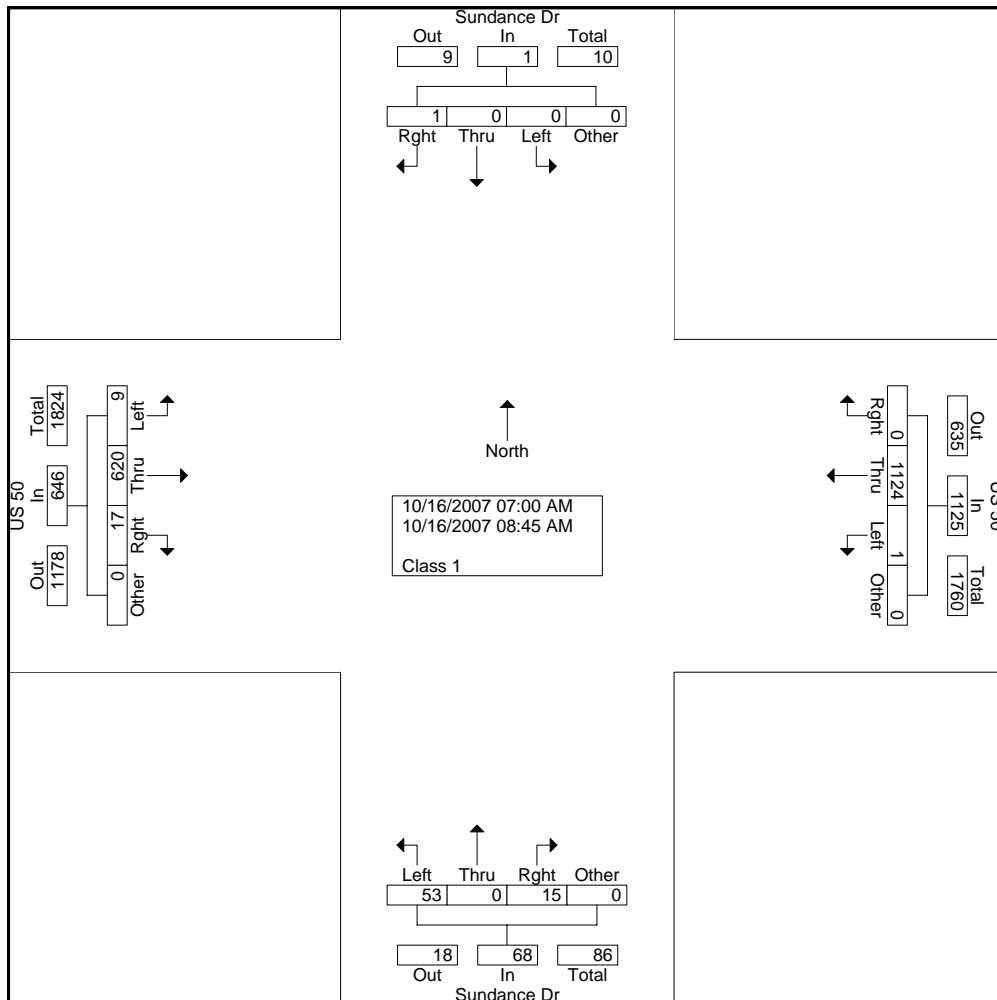




File Name : #27 Sundance & US 50 AM
 Site Code : 00000000
 Start Date : 10/16/2007
 Page No : 1

Groups Printed- Class 1

Start Time	Sundance Dr Southbound				US 50 Westbound				Sundance Dr Northbound				US 50 Eastbound				Int. Total
	Left	Thru	Right	Other	Left	Thru	Rght	Other	Left	Thru	Rght	Other	Left	Thru	Rght	Other	
07:00 AM	0	0	0	0	1	136	0	0	4	0	8	0	1	68	3	0	221
07:15 AM	0	0	0	0	0	163	0	0	12	0	0	0	1	76	1	0	253
07:30 AM	0	0	0	0	0	199	0	0	9	0	0	0	0	68	1	0	277
07:45 AM	0	0	0	0	0	164	0	0	8	0	1	0	0	75	3	0	251
Total	0	0	0	0	1	662	0	0	33	0	9	0	2	287	8	0	1002
08:00 AM	0	0	0	0	0	117	0	0	4	0	1	0	2	76	0	0	200
08:15 AM	0	0	0	0	0	113	0	0	3	0	2	0	2	94	3	0	217
08:30 AM	0	0	1	0	0	117	0	0	6	0	1	0	2	83	5	0	215
08:45 AM	0	0	0	0	0	115	0	0	7	0	2	0	1	80	1	0	206
Total	0	0	1	0	0	462	0	0	20	0	6	0	7	333	9	0	838
Grand Total	0	0	1	0	1	1124	0	0	53	0	15	0	9	620	17	0	1840
Apprch %	0	0	100	0	0.1	99.9	0	0	77.9	0	22.1	0	1.4	96	2.6	0	
Total %	0	0	0.1	0	0.1	61.1	0	0	2.9	0	0.8	0	0.5	33.7	0.9	0	





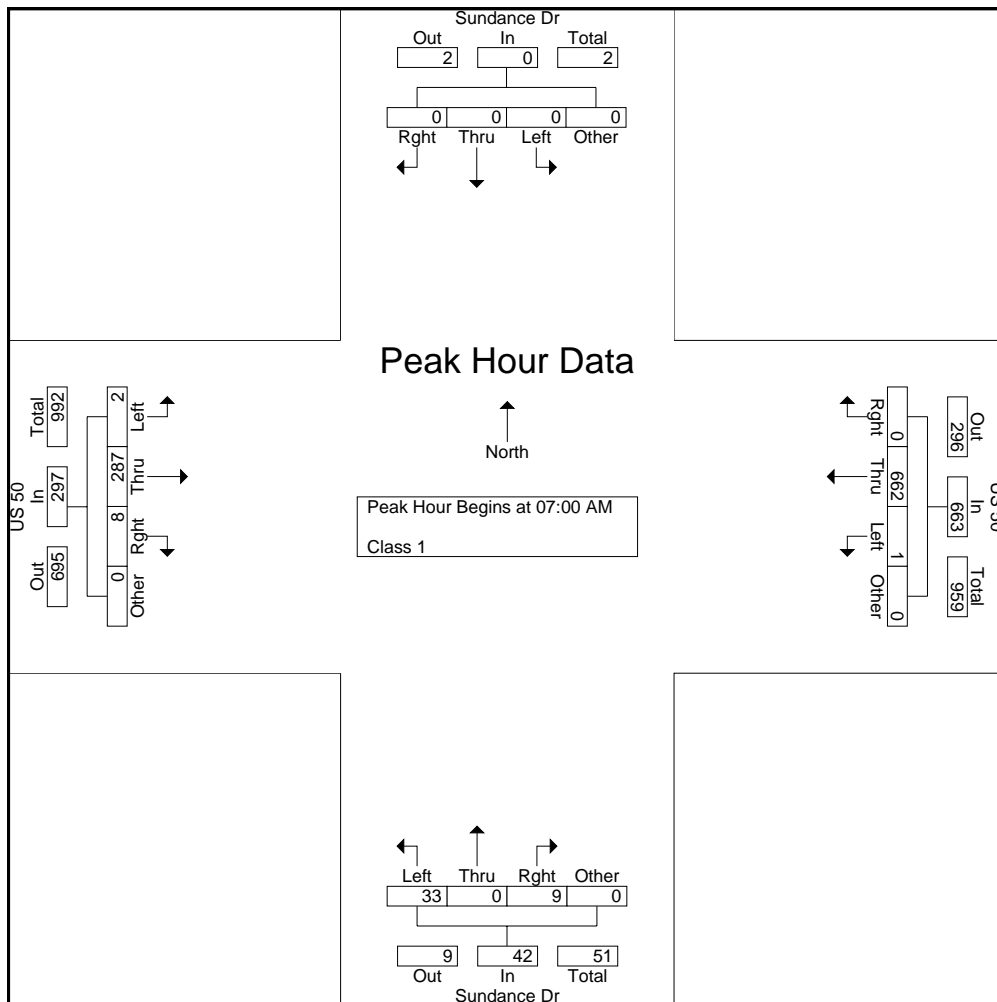
File Name : #27 Sundance & US 50 AM

Site Code : 00000000

Start Date : 10/16/2007

Page No : 2

Start Time	Sundance Dr Southbound					US 50 Westbound					Sundance Dr Northbound					US 50 Eastbound					Int. Total
	Left	Thru	Right	Other	App. Total	Left	Thru	Right	Other	App. Total	Left	Thru	Right	Other	App. Total	Left	Thru	Right	Other	App. Total	
Peak Hour Analysis From 07:00 AM to 08:45 AM - Peak 1 of 1																					
Peak Hour for Entire Intersection Begins at 07:00 AM																					
07:00 AM	0	0	0	0	0	1	136	0	0	137	4	0	8	0	12	1	68	3	0	72	221
07:15 AM	0	0	0	0	0	0	163	0	0	163	12	0	0	0	12	1	76	1	0	78	253
07:30 AM	0	0	0	0	0	0	199	0	0	199	9	0	0	0	9	0	68	1	0	69	277
07:45 AM	0	0	0	0	0	0	164	0	0	164	8	0	1	0	9	0	75	3	0	78	251
Total Volume	0	0	0	0	0	1	662	0	0	663	33	0	9	0	42	2	287	8	0	297	1002
% App. Total	0	0	0	0	0	0.2	99.8	0	0		78.6	0	21.4	0		0.7	96.6	2.7	0		
PHF	.000	.000	.000	.000	.000	.250	.832	.000	.000	.833	.688	.000	.281	.000	.875	.500	.944	.667	.000	.952	.904

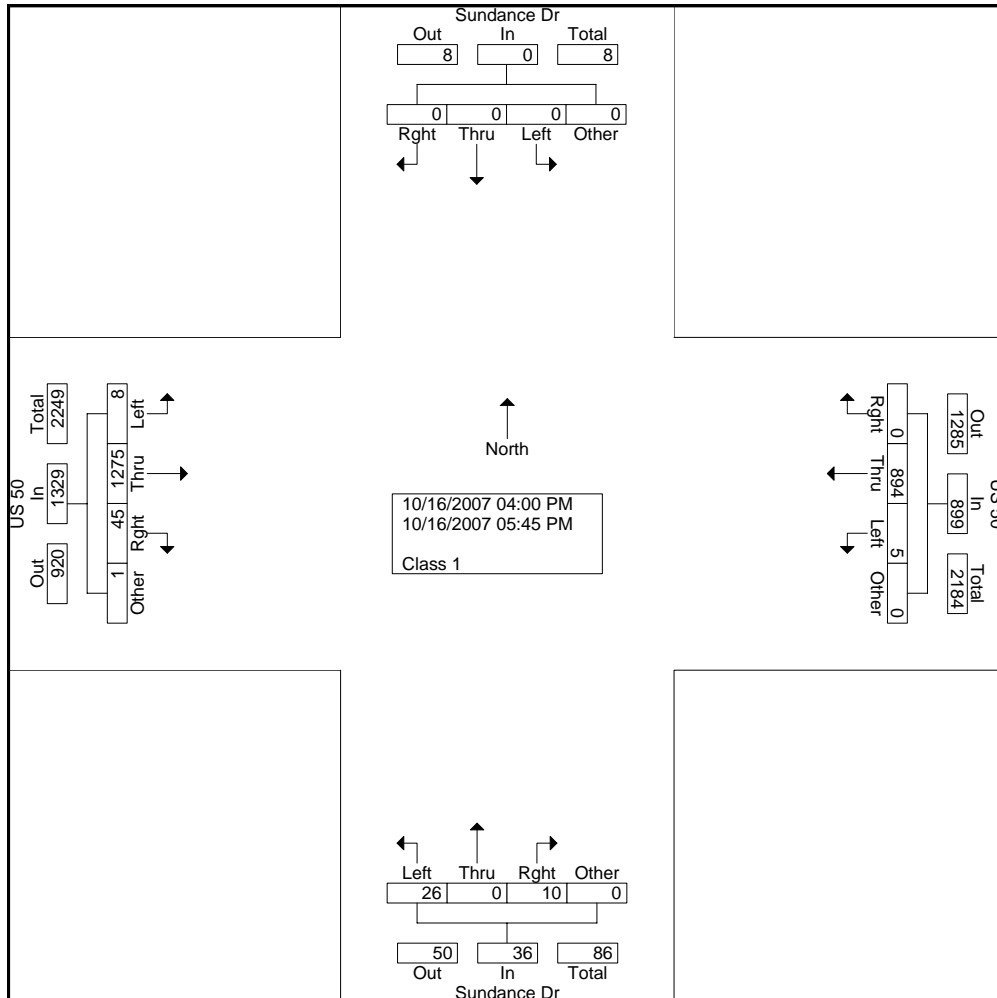




File Name : #27 Sundance & US 50 PM
 Site Code : 00000000
 Start Date : 10/16/2007
 Page No : 1

Groups Printed- Class 1

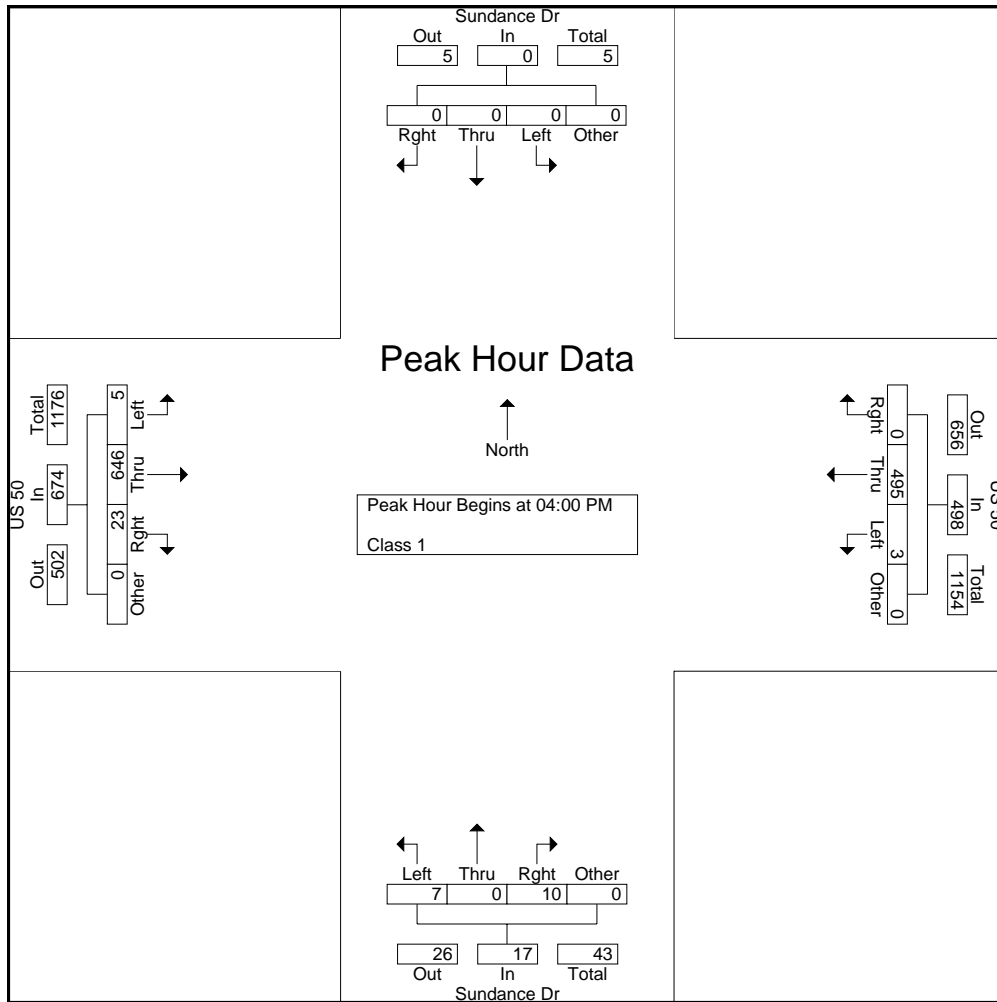
Start Time	Sundance Dr Southbound				US 50 Westbound				Sundance Dr Northbound				US 50 Eastbound				Int. Total
	Left	Thru	Right	Other	Left	Thru	Rght	Other	Left	Thru	Rght	Other	Left	Thru	Rght	Other	
04:00 PM	0	0	0	0	1	130	0	0	5	0	4	0	2	133	10	0	285
04:15 PM	0	0	0	0	2	141	0	0	0	0	4	0	1	181	5	0	334
04:30 PM	0	0	0	0	0	110	0	0	1	0	0	0	2	158	5	0	276
04:45 PM	0	0	0	0	0	114	0	0	1	0	2	0	0	174	3	0	294
Total	0	0	0	0	3	495	0	0	7	0	10	0	5	646	23	0	1189
05:00 PM	0	0	0	0	1	101	0	0	11	0	0	0	0	149	6	1	269
05:15 PM	0	0	0	0	0	91	0	0	2	0	0	0	0	149	7	0	249
05:30 PM	0	0	0	0	1	105	0	0	2	0	0	0	2	179	3	0	292
05:45 PM	0	0	0	0	0	102	0	0	4	0	0	0	1	152	6	0	265
Total	0	0	0	0	2	399	0	0	19	0	0	0	3	629	22	1	1075
Grand Total	0	0	0	0	5	894	0	0	26	0	10	0	8	1275	45	1	2264
Apprch %	0	0	0	0	0.6	99.4	0	0	72.2	0	27.8	0	0.6	95.9	3.4	0.1	
Total %	0	0	0	0	0.2	39.5	0	0	1.1	0	0.4	0	0.4	56.3	2	0	





File Name : #27 Sundance & US 50 PM
 Site Code : 00000000
 Start Date : 10/16/2007
 Page No : 2

Start Time	Sundance Dr Southbound					US 50 Westbound					Sundance Dr Northbound					US 50 Eastbound					Int. Total
	Left	Thru	Rght	Other	App. Total	Left	Thru	Rght	Other	App. Total	Left	Thru	Rght	Other	App. Total	Left	Thru	Rght	Other	App. Total	
Peak Hour Analysis From 04:00 PM to 05:45 PM - Peak 1 of 1																					
Peak Hour for Entire Intersection Begins at 04:00 PM																					
04:00 PM	0	0	0	0	0	1	130	0	0	131	5	0	4	0	9	2	133	10	0	145	285
04:15 PM	0	0	0	0	0	2	141	0	0	143	0	0	4	0	4	1	181	5	0	187	334
04:30 PM	0	0	0	0	0	0	110	0	0	110	1	0	0	0	1	2	158	5	0	165	276
04:45 PM	0	0	0	0	0	0	114	0	0	114	1	0	2	0	3	0	174	3	0	177	294
Total Volume	0	0	0	0	0	3	495	0	0	498	7	0	10	0	17	5	646	23	0	674	1189
% App. Total	0	0	0	0	0	0.6	99.4	0	0		41.2	0	58.8	0		0.7	95.8	3.4	0		
PHF	.000	.000	.000	.000	.000	.375	.878	.000	.000	.871	.350	.000	.625	.000	.472	.625	.892	.575	.000	.901	.890



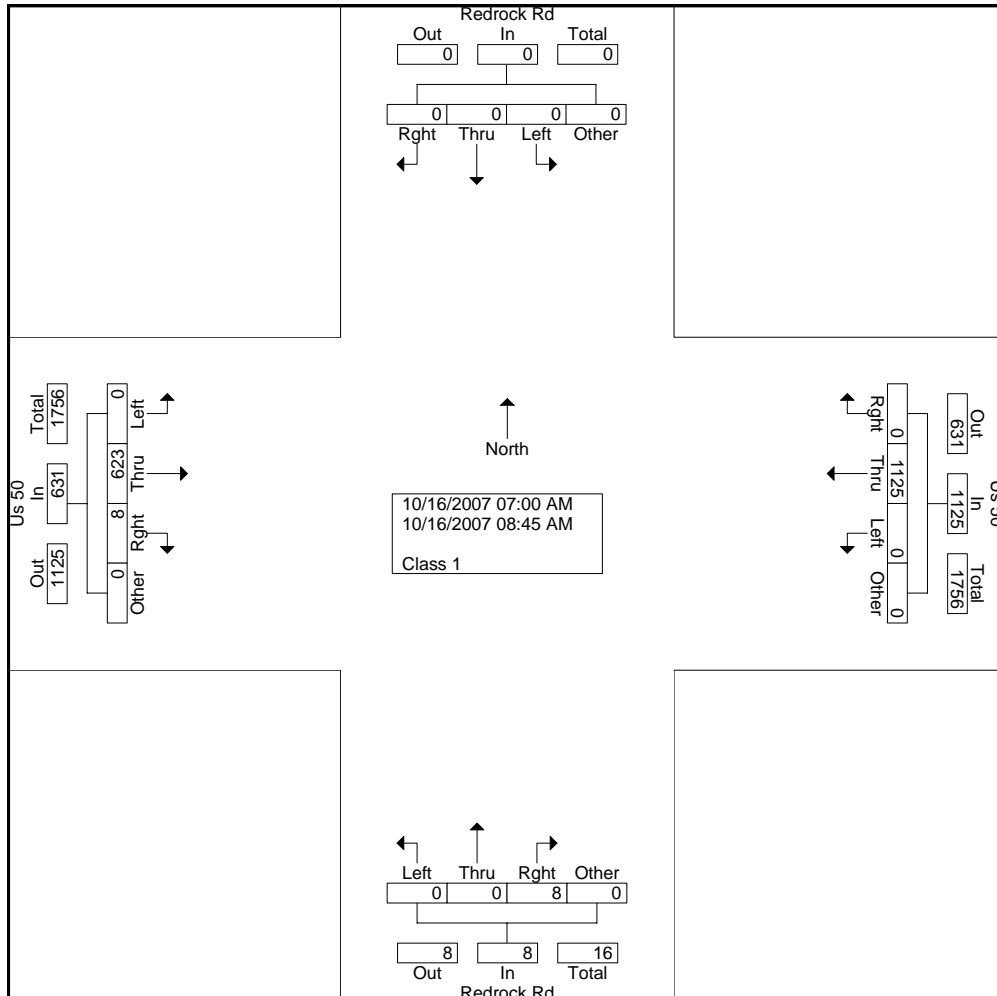


All Traffic Data Services, Inc.
 9660 W. 44th Ave.
 Wheat Ridge, CO 80033

File Name : #28 Redrock & US 50 AM
 Site Code : 00000000
 Start Date : 10/16/2007
 Page No : 1

Groups Printed- Class 1

Start Time	Redrock Rd Southbound				Us 50 Westbound				Redrock Rd Northbound				Us 50 Eastbound				Int. Total	
	Left	Thru	Right	Other	Left	Thru	Right	Other	Left	Thru	Right	Other	Left	Thru	Right	Other		
07:00 AM	0	0	0	0	0	142	0	0	0	0	0	1	0	0	70	3	0	216
07:15 AM	0	0	0	0	0	156	0	0	0	0	0	3	0	0	75	1	0	235
07:30 AM	0	0	0	0	0	194	0	0	0	0	0	3	0	0	70	0	0	267
07:45 AM	0	0	0	0	0	163	0	0	0	0	0	1	0	0	73	0	0	237
Total	0	0	0	0	0	655	0	0	0	0	0	8	0	0	288	4	0	955
08:00 AM	0	0	0	0	0	121	0	0	0	0	0	0	0	0	78	0	0	199
08:15 AM	0	0	0	0	0	115	0	0	0	0	0	0	0	0	93	3	0	211
08:30 AM	0	0	0	0	0	116	0	0	0	0	0	0	0	0	84	0	0	200
08:45 AM	0	0	0	0	0	118	0	0	0	0	0	0	0	0	80	1	0	199
Total	0	0	0	0	0	470	0	0	0	0	0	0	0	0	335	4	0	809
Grand Total	0	0	0	0	0	1125	0	0	0	0	0	8	0	0	623	8	0	1764
Apprch %	0	0	0	0	0	100	0	0	0	0	0	100	0	0	98.7	1.3	0	
Total %	0	0	0	0	0	63.8	0	0	0	0	0	0.5	0	0	35.3	0.5	0	

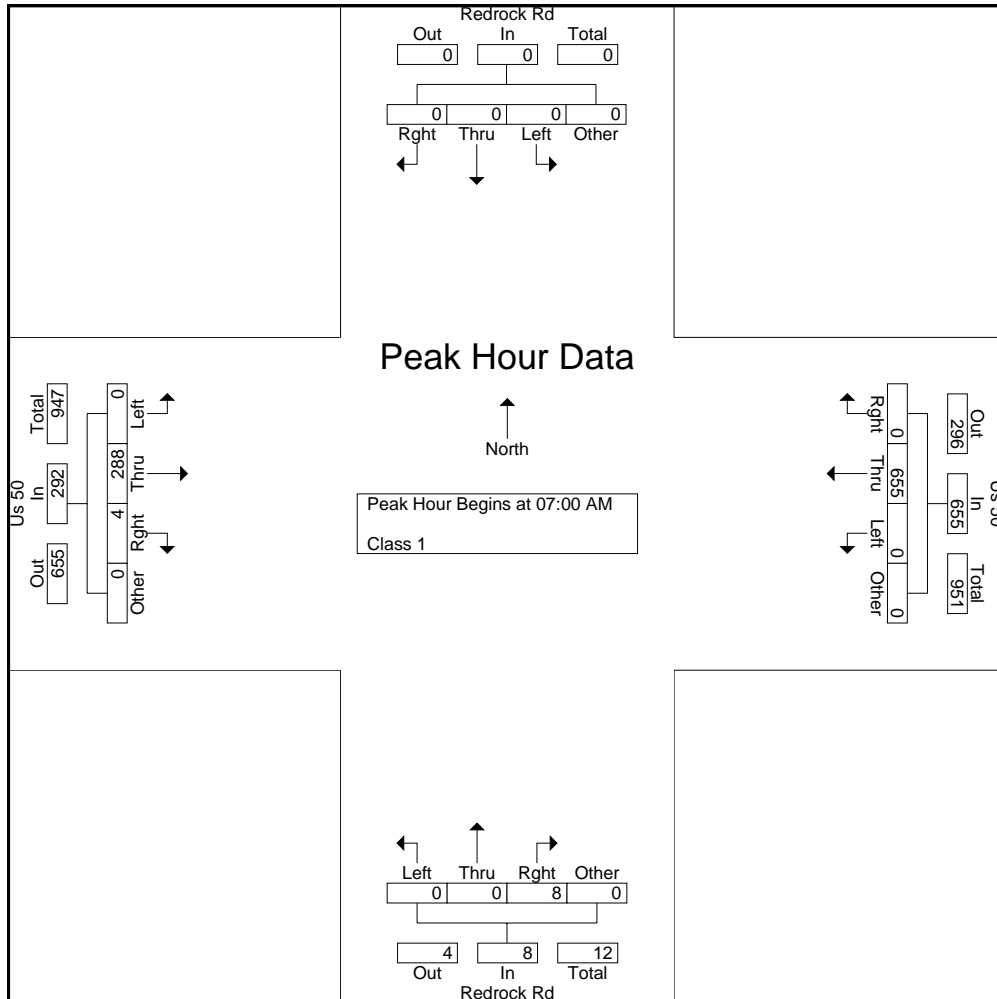




All Traffic Data Services, Inc.
 9660 W. 44th Ave.
 Wheat Ridge, CO 80033

File Name : #28 Redrock & US 50 AM
 Site Code : 00000000
 Start Date : 10/16/2007
 Page No : 2

Start Time	Redrock Rd Southbound					Us 50 Westbound					Redrock Rd Northbound					Us 50 Eastbound					Int. Total
	Left	Thru	Right	Other	App. Total	Left	Thru	Right	Other	App. Total	Left	Thru	Right	Other	App. Total	Left	Thru	Right	Other	App. Total	
Peak Hour Analysis From 07:00 AM to 08:45 AM - Peak 1 of 1																					
Peak Hour for Entire Intersection Begins at 07:00 AM																					
07:00 AM	0	0	0	0	0	0	142	0	0	142	0	0	1	0	1	0	70	3	0	73	216
07:15 AM	0	0	0	0	0	0	156	0	0	156	0	0	3	0	3	0	75	1	0	76	235
07:30 AM	0	0	0	0	0	0	194	0	0	194	0	0	3	0	3	0	70	0	0	70	267
07:45 AM	0	0	0	0	0	0	163	0	0	163	0	0	1	0	1	0	73	0	0	73	237
Total Volume	0	0	0	0	0	0	655	0	0	655	0	0	8	0	8	0	288	4	0	292	955
% App. Total	0	0	0	0	0	0	100	0	0	100	0	0	100	0	100	0	98.6	1.4	0	100	
PHF	.000	.000	.000	.000	.000	.000	.844	.000	.000	.844	.000	.000	.667	.000	.667	.000	.960	.333	.000	.961	.894



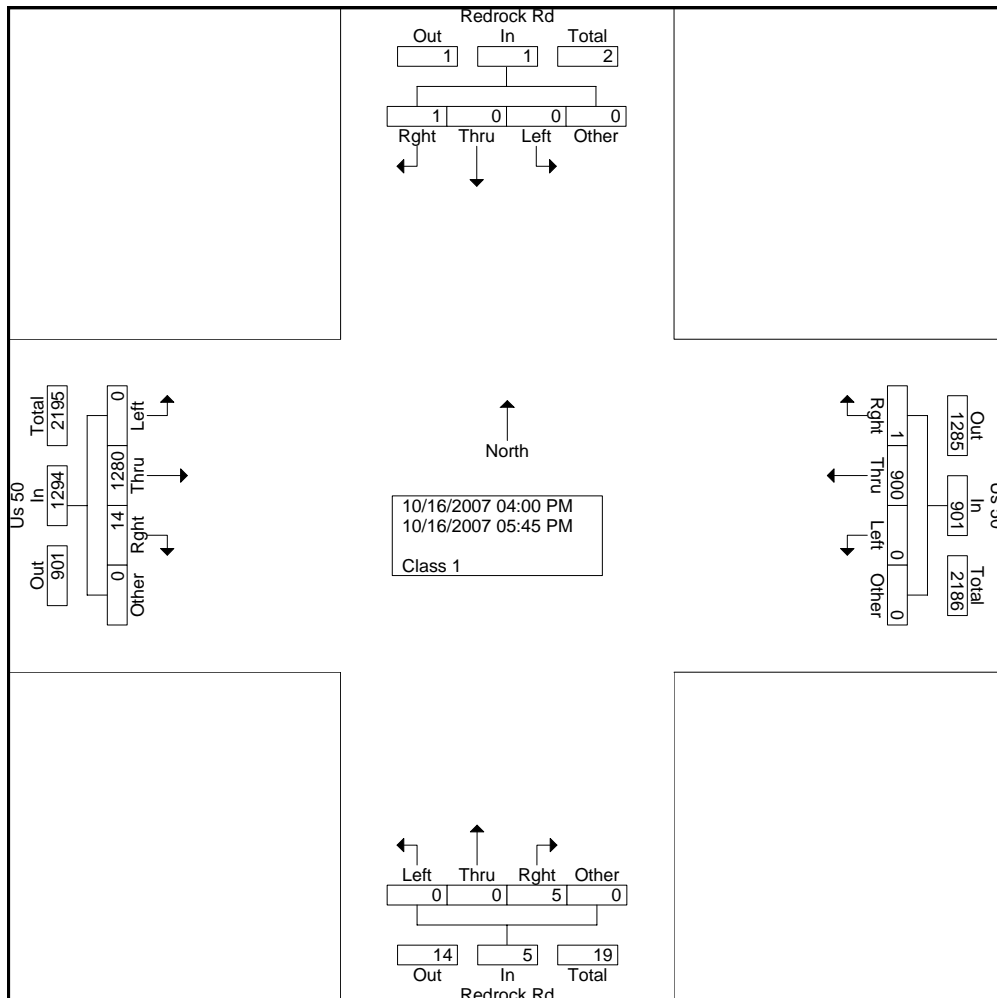


All Traffic Data Services, Inc.
 9660 W. 44th Ave.
 Wheat Ridge, CO 80033

File Name : #28 Redrock & US 50 PM
 Site Code : 00000000
 Start Date : 10/16/2007
 Page No : 1

Groups Printed- Class 1

Start Time	Redrock Rd Southbound				Us 50 Westbound				Redrock Rd Northbound				Us 50 Eastbound				Int. Total
	Left	Thru	Right	Other	Left	Thru	Right	Other	Left	Thru	Right	Other	Left	Thru	Right	Other	
04:00 PM	0	0	0	0	0	128	0	0	0	0	1	0	0	137	1	0	267
04:15 PM	0	0	0	0	0	146	0	0	0	0	1	0	0	189	1	0	337
04:30 PM	0	0	0	0	0	105	0	0	0	0	1	0	0	156	1	0	263
04:45 PM	0	0	1	0	0	123	0	0	0	0	1	0	0	169	1	0	295
Total	0	0	1	0	0	502	0	0	0	0	4	0	0	651	4	0	1162
05:00 PM	0	0	0	0	0	98	0	0	0	0	1	0	0	150	1	0	250
05:15 PM	0	0	0	0	0	99	0	0	0	0	0	0	0	157	5	0	261
05:30 PM	0	0	0	0	0	100	1	0	0	0	0	0	0	169	2	0	272
05:45 PM	0	0	0	0	0	101	0	0	0	0	0	0	0	153	2	0	256
Total	0	0	0	0	0	398	1	0	0	0	1	0	0	629	10	0	1039
Grand Total	0	0	1	0	0	900	1	0	0	0	5	0	0	1280	14	0	2201
Apprch %	0	0	100	0	0	99.9	0.1	0	0	0	100	0	0	98.9	1.1	0	
Total %	0	0	0	0	0	40.9	0	0	0	0	0.2	0	0	58.2	0.6	0	

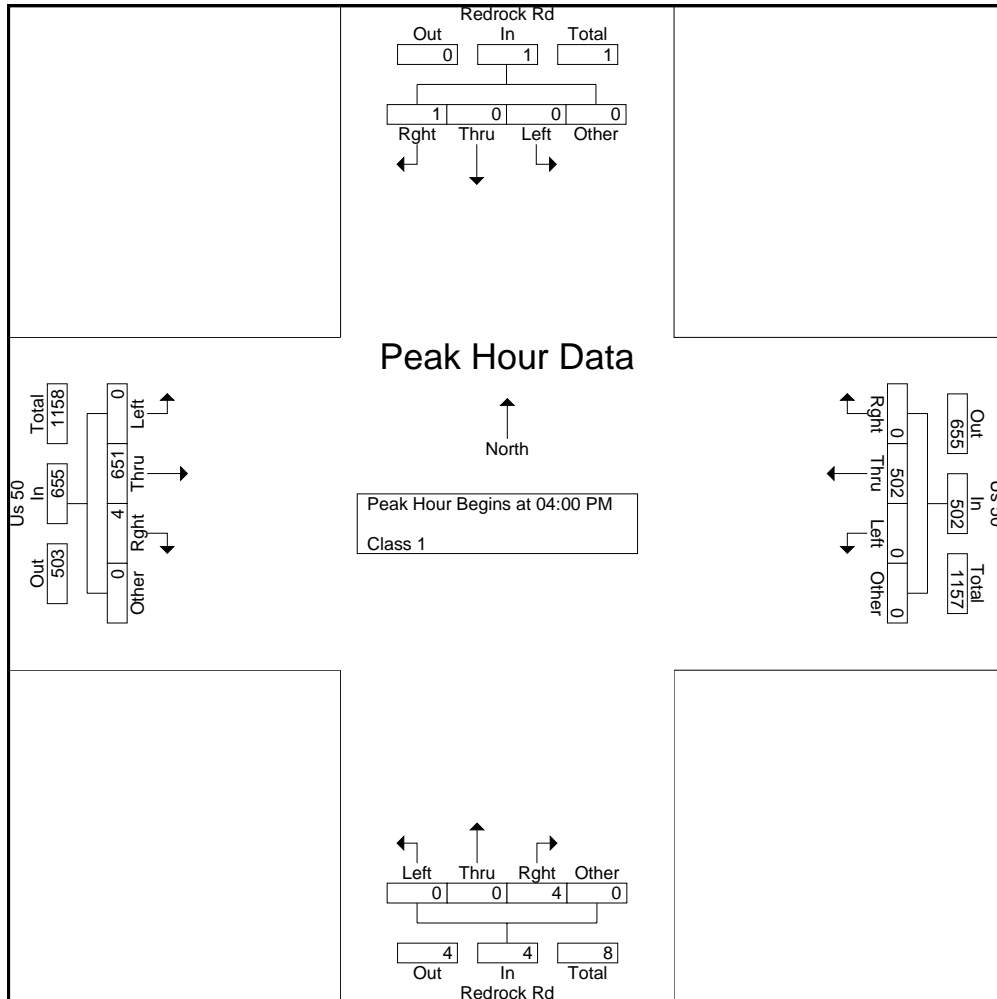




All Traffic Data Services, Inc.
 9660 W. 44th Ave.
 Wheat Ridge, CO 80033

File Name : #28 Redrock & US 50 PM
 Site Code : 00000000
 Start Date : 10/16/2007
 Page No : 2

Start Time	Redrock Rd Southbound					Us 50 Westbound					Redrock Rd Northbound					Us 50 Eastbound					Int. Total
	Left	Thru	Right	Other	App. Total	Left	Thru	Right	Other	App. Total	Left	Thru	Right	Other	App. Total	Left	Thru	Right	Other	App. Total	
Peak Hour Analysis From 04:00 PM to 05:45 PM - Peak 1 of 1																					
Peak Hour for Entire Intersection Begins at 04:00 PM																					
04:00 PM	0	0	0	0	0	0	128	0	0	128	0	0	1	0	1	0	137	1	0	138	267
04:15 PM	0	0	0	0	0	0	146	0	0	146	0	0	1	0	1	0	189	1	0	190	337
04:30 PM	0	0	0	0	0	0	105	0	0	105	0	0	1	0	1	0	156	1	0	157	263
04:45 PM	0	0	1	0	1	0	123	0	0	123	0	0	1	0	1	0	169	1	0	170	295
Total Volume	0	0	1	0	1	0	502	0	0	502	0	0	4	0	4	0	651	4	0	655	1162
% App. Total	0	0	100	0		0	100	0	0		0	0	100	0		0	99.4	0.6	0		
PHF	.000	.000	.250	.000	.250	.000	.860	.000	.000	.860	.000	.000	1.000	.000	1.000	.000	.861	1.000	.000	.862	.862



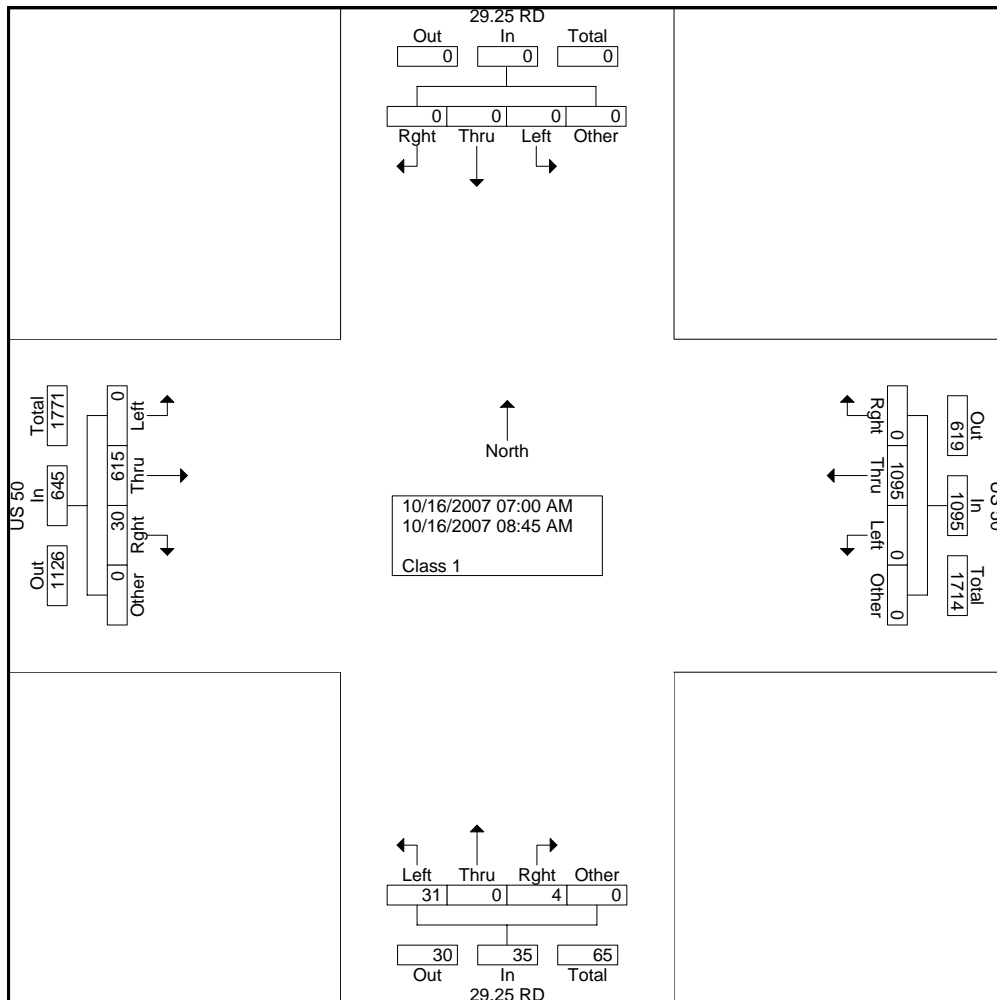


All Traffic Data Services, Inc.
 9660 W. 44th Ave.
 Wheat Ridge, CO 80033

File Name : #29 29.25 Rd & US 50 AM
 Site Code : 00000000
 Start Date : 10/16/2007
 Page No : 1

Groups Printed- Class 1

Start Time	29.25 RD Southbound				US 50 Westbound				29.25 RD Northbound				US 50 Eastbound				Int. Total
	Left	Thru	Right	Other	Left	Thru	Right	Other	Left	Thru	Right	Other	Left	Thru	Right	Other	
07:00 AM	0	0	0	0	0	142	0	0	2	0	1	0	0	73	0	0	218
07:15 AM	0	0	0	0	0	152	0	0	6	0	0	0	0	74	2	0	234
07:30 AM	0	0	0	0	0	198	0	0	4	0	0	0	0	71	2	0	275
07:45 AM	0	0	0	0	0	161	0	0	6	0	1	0	0	74	3	0	245
Total	0	0	0	0	0	653	0	0	18	0	2	0	0	292	7	0	972
08:00 AM	0	0	0	0	0	115	0	0	3	0	0	0	0	73	6	0	197
08:15 AM	0	0	0	0	0	100	0	0	5	0	0	0	0	89	5	0	199
08:30 AM	0	0	0	0	0	108	0	0	3	0	1	0	0	81	8	0	201
08:45 AM	0	0	0	0	0	119	0	0	2	0	1	0	0	80	4	0	206
Total	0	0	0	0	0	442	0	0	13	0	2	0	0	323	23	0	803
Grand Total	0	0	0	0	0	1095	0	0	31	0	4	0	0	615	30	0	1775
Apprch %	0	0	0	0	0	100	0	0	88.6	0	11.4	0	0	95.3	4.7	0	
Total %	0	0	0	0	0	61.7	0	0	1.7	0	0.2	0	0	34.6	1.7	0	

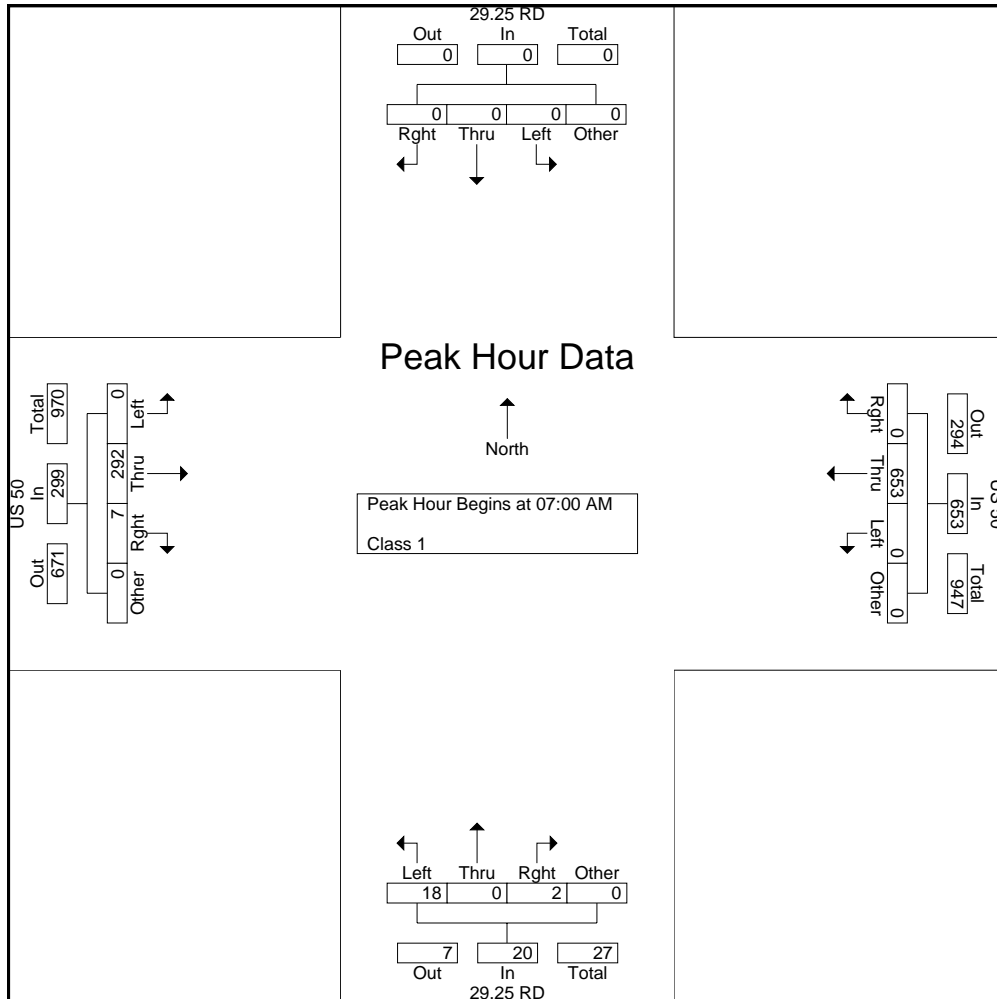




All Traffic Data Services, Inc.
 9660 W. 44th Ave.
 Wheat Ridge, CO 80033

File Name : #29 29.25 Rd & US 50 AM
 Site Code : 00000000
 Start Date : 10/16/2007
 Page No : 2

Start Time	29.25 RD Southbound					US 50 Westbound					29.25 RD Northbound					US 50 Eastbound					Int. Total
	Left	Thru	Right	Other	App. Total	Left	Thru	Right	Other	App. Total	Left	Thru	Right	Other	App. Total	Left	Thru	Right	Other	App. Total	
Peak Hour Analysis From 07:00 AM to 08:45 AM - Peak 1 of 1																					
Peak Hour for Entire Intersection Begins at 07:00 AM																					
07:00 AM	0	0	0	0	0	0	142	0	0	142	2	0	1	0	3	0	73	0	0	73	218
07:15 AM	0	0	0	0	0	0	152	0	0	152	6	0	0	0	6	0	74	2	0	76	234
07:30 AM	0	0	0	0	0	0	198	0	0	198	4	0	0	0	4	0	71	2	0	73	275
07:45 AM	0	0	0	0	0	0	161	0	0	161	6	0	1	0	7	0	74	3	0	77	245
Total Volume	0	0	0	0	0	0	653	0	0	653	18	0	2	0	20	0	292	7	0	299	972
% App. Total	0	0	0	0	0	0	100	0	0	100	90	0	10	0	100	0	97.7	2.3	0	100	
PHF	.000	.000	.000	.000	.000	.000	.824	.000	.000	.824	.750	.000	.500	.000	.714	.000	.986	.583	.000	.971	.884



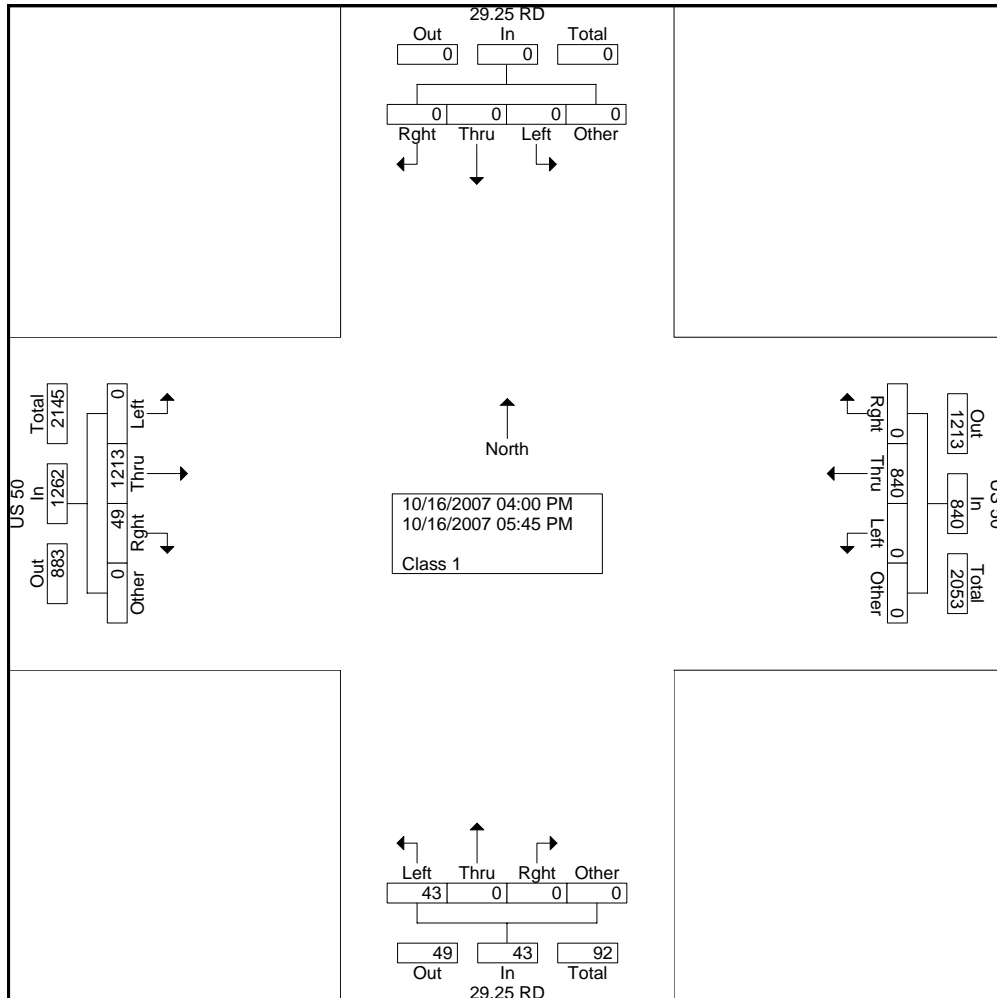


All Traffic Data Services, Inc.
 9660 W. 44th Ave.
 Wheat Ridge, CO 80033

File Name : #29 29.25 Rd & US 50 PM
 Site Code : 00000000
 Start Date : 10/16/2007
 Page No : 1

Groups Printed- Class 1

Start Time	29.25 RD Southbound				US 50 Westbound				29.25 RD Northbound				US 50 Eastbound				Int. Total
	Left	Thru	Right	Other	Left	Thru	Right	Other	Left	Thru	Right	Other	Left	Thru	Right	Other	
04:00 PM	0	0	0	0	0	120	0	0	8	0	0	0	0	135	3	0	266
04:15 PM	0	0	0	0	0	138	0	0	6	0	0	0	0	178	5	0	327
04:30 PM	0	0	0	0	0	100	0	0	4	0	0	0	0	152	6	0	262
04:45 PM	0	0	0	0	0	105	0	0	9	0	0	0	0	155	6	0	275
Total	0	0	0	0	0	463	0	0	27	0	0	0	0	620	20	0	1130
05:00 PM	0	0	0	0	0	95	0	0	5	0	0	0	0	135	7	0	242
05:15 PM	0	0	0	0	0	96	0	0	4	0	0	0	0	147	5	0	252
05:30 PM	0	0	0	0	0	97	0	0	3	0	0	0	0	159	8	0	267
05:45 PM	0	0	0	0	0	89	0	0	4	0	0	0	0	152	9	0	254
Total	0	0	0	0	0	377	0	0	16	0	0	0	0	593	29	0	1015
Grand Total	0	0	0	0	0	840	0	0	43	0	0	0	0	1213	49	0	2145
Apprch %	0	0	0	0	0	100	0	0	100	0	0	0	0	96.1	3.9	0	
Total %	0	0	0	0	0	39.2	0	0	2	0	0	0	0	56.6	2.3	0	

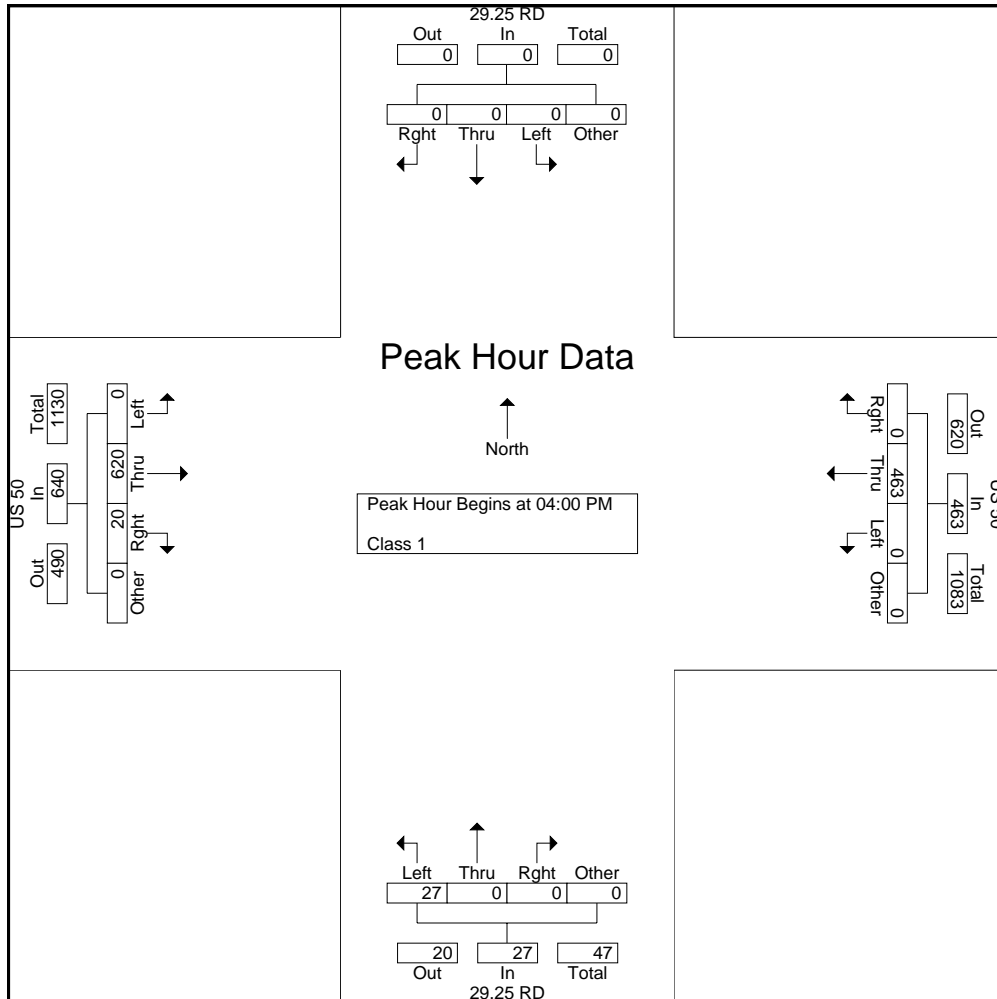




All Traffic Data Services, Inc.
 9660 W. 44th Ave.
 Wheat Ridge, CO 80033

File Name : #29 29.25 Rd & US 50 PM
 Site Code : 00000000
 Start Date : 10/16/2007
 Page No : 2

Start Time	29.25 RD Southbound					US 50 Westbound					29.25 RD Northbound					US 50 Eastbound					Int. Total
	Left	Thru	Right	Other	App. Total	Left	Thru	Right	Other	App. Total	Left	Thru	Right	Other	App. Total	Left	Thru	Right	Other	App. Total	
Peak Hour Analysis From 04:00 PM to 05:45 PM - Peak 1 of 1																					
Peak Hour for Entire Intersection Begins at 04:00 PM																					
04:00 PM	0	0	0	0	0	0	120	0	0	120	8	0	0	0	8	0	135	3	0	138	266
04:15 PM	0	0	0	0	0	0	138	0	0	138	6	0	0	0	6	0	178	5	0	183	327
04:30 PM	0	0	0	0	0	0	100	0	0	100	4	0	0	0	4	0	152	6	0	158	262
04:45 PM	0	0	0	0	0	0	105	0	0	105	9	0	0	0	9	0	155	6	0	161	275
Total Volume	0	0	0	0	0	0	463	0	0	463	27	0	0	0	27	0	620	20	0	640	1130
% App. Total	0	0	0	0	0	0	100	0	0	100	100	0	0	0	100	0	96.9	3.1	0		
PHF	.000	.000	.000	.000	.000	.000	.839	.000	.000	.839	.750	.000	.000	.000	.750	.000	.871	.833	.000	.874	.864



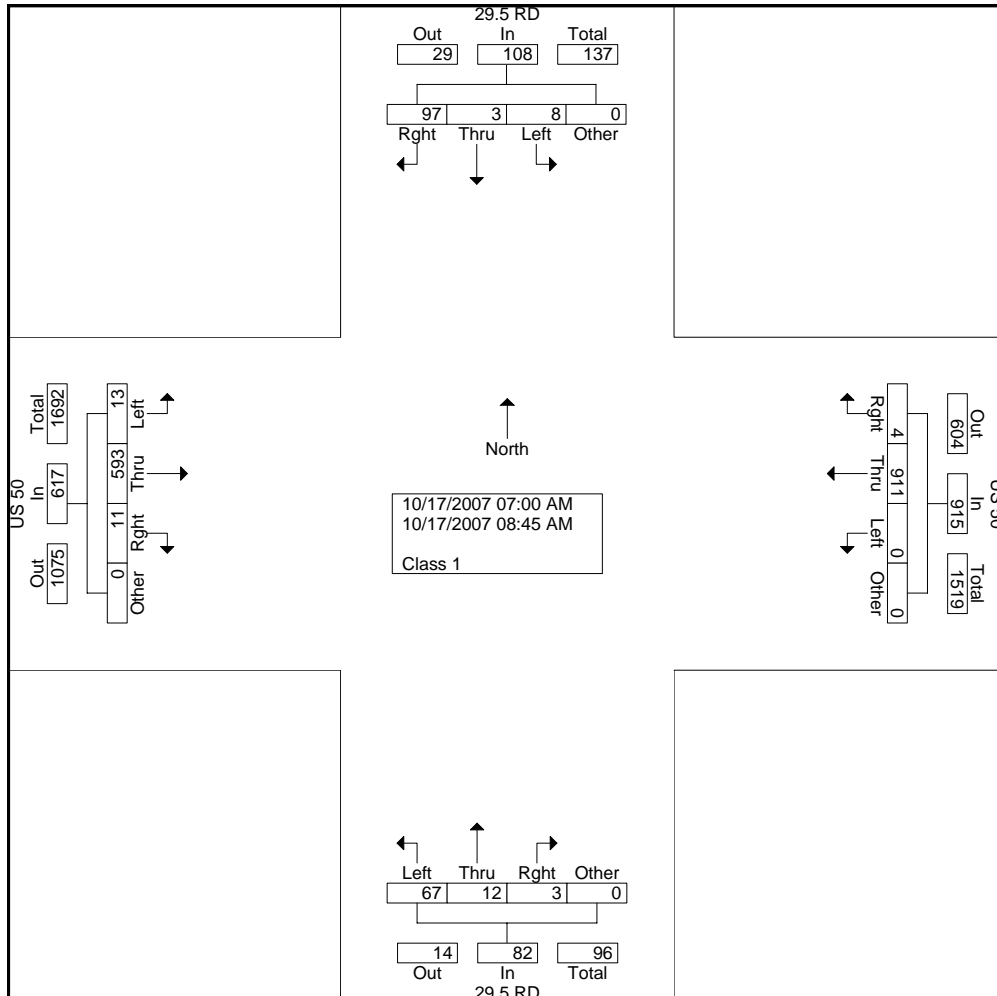


All Traffic Data Services, Inc.
 9660 W. 44th Ave.
 Wheat Ridge, CO 80033

File Name : #30 29.5 Rd & US 50 AM
 Site Code : 00000000
 Start Date : 10/17/2007
 Page No : 1

Groups Printed- Class 1

Start Time	29.5 RD Southbound				US 50 Westbound				29.5 RD Northbound				US 50 Eastbound				Int. Total
	Left	Thru	Right	Other	Left	Thru	Right	Other	Left	Thru	Right	Other	Left	Thru	Right	Other	
07:00 AM	3	0	11	0	0	113	0	0	9	0	2	0	3	71	0	0	212
07:15 AM	1	0	12	0	0	138	0	0	10	0	0	0	0	70	0	0	231
07:30 AM	2	0	24	0	0	152	0	0	9	0	1	0	1	74	0	0	263
07:45 AM	0	0	18	0	0	137	2	0	7	1	0	0	3	74	2	0	244
Total	6	0	65	0	0	540	2	0	35	1	3	0	7	289	2	0	950
08:00 AM	1	1	5	0	0	109	0	0	9	1	0	0	1	65	0	0	192
08:15 AM	1	0	7	0	0	84	0	0	9	0	0	0	0	74	1	0	176
08:30 AM	0	1	11	0	0	90	1	0	8	6	0	0	3	85	4	0	209
08:45 AM	0	1	9	0	0	88	1	0	6	4	0	0	2	80	4	0	195
Total	2	3	32	0	0	371	2	0	32	11	0	0	6	304	9	0	772
Grand Total	8	3	97	0	0	911	4	0	67	12	3	0	13	593	11	0	1722
Apprch %	7.4	2.8	89.8	0	0	99.6	0.4	0	81.7	14.6	3.7	0	2.1	96.1	1.8	0	
Total %	0.5	0.2	5.6	0	0	52.9	0.2	0	3.9	0.7	0.2	0	0.8	34.4	0.6	0	

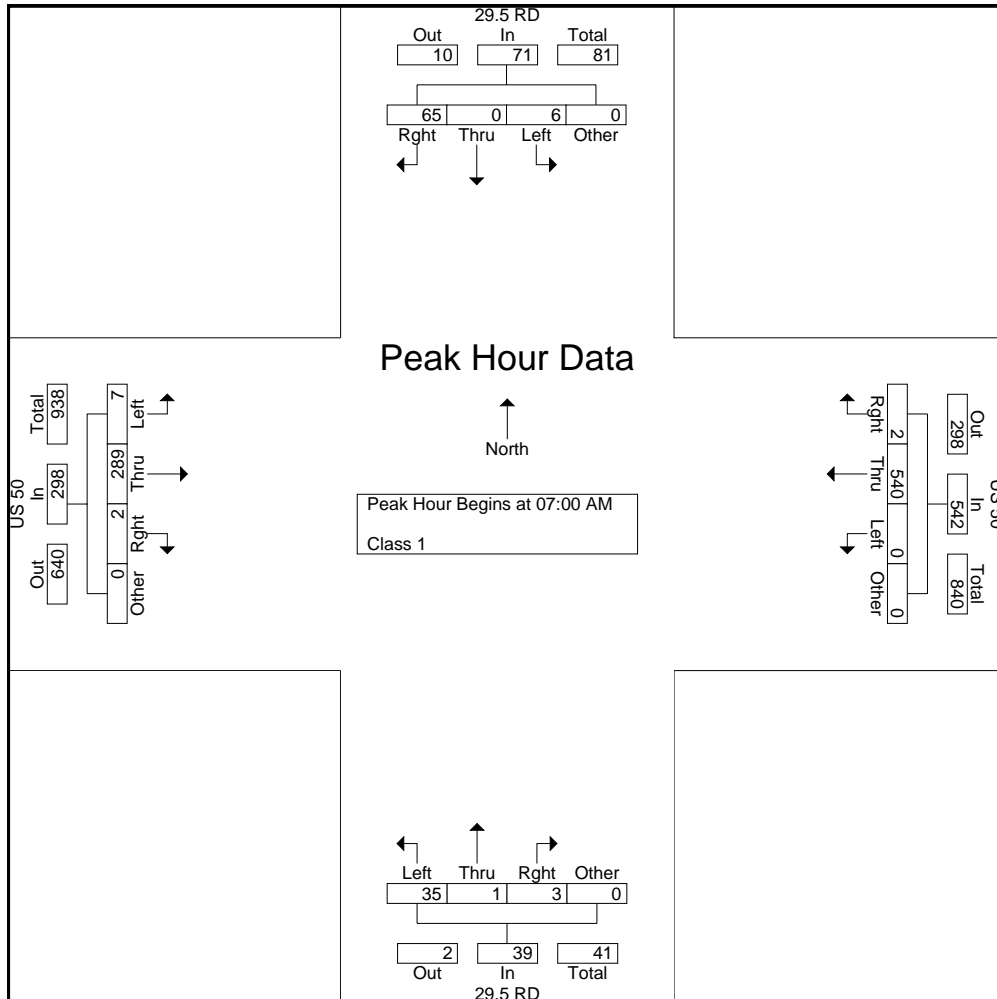




All Traffic Data Services, Inc.
 9660 W. 44th Ave.
 Wheat Ridge, CO 80033

File Name : #30 29.5 Rd & US 50 AM
 Site Code : 00000000
 Start Date : 10/17/2007
 Page No : 2

Start Time	29.5 RD Southbound					US 50 Westbound					29.5 RD Northbound					US 50 Eastbound					Int. Total
	Left	Thru	Right	Other	App. Total	Left	Thru	Right	Other	App. Total	Left	Thru	Right	Other	App. Total	Left	Thru	Right	Other	App. Total	
Peak Hour Analysis From 07:00 AM to 08:45 AM - Peak 1 of 1																					
Peak Hour for Entire Intersection Begins at 07:00 AM																					
07:00 AM	3	0	11	0	14	0	113	0	0	113	9	0	2	0	11	3	71	0	0	74	212
07:15 AM	1	0	12	0	13	0	138	0	0	138	10	0	0	0	10	0	70	0	0	70	231
07:30 AM	2	0	24	0	26	0	152	0	0	152	9	0	1	0	10	1	74	0	0	75	263
07:45 AM	0	0	18	0	18	0	137	2	0	139	7	1	0	0	8	3	74	2	0	79	244
Total Volume	6	0	65	0	71	0	540	2	0	542	35	1	3	0	39	7	289	2	0	298	950
% App. Total	8.5	0	91.5	0		0	99.6	0.4	0		89.7	2.6	7.7	0		2.3	97	0.7	0		
PHF	.500	.000	.677	.000	.683	.000	.888	.250	.000	.891	.875	.250	.375	.000	.886	.583	.976	.250	.000	.943	.903



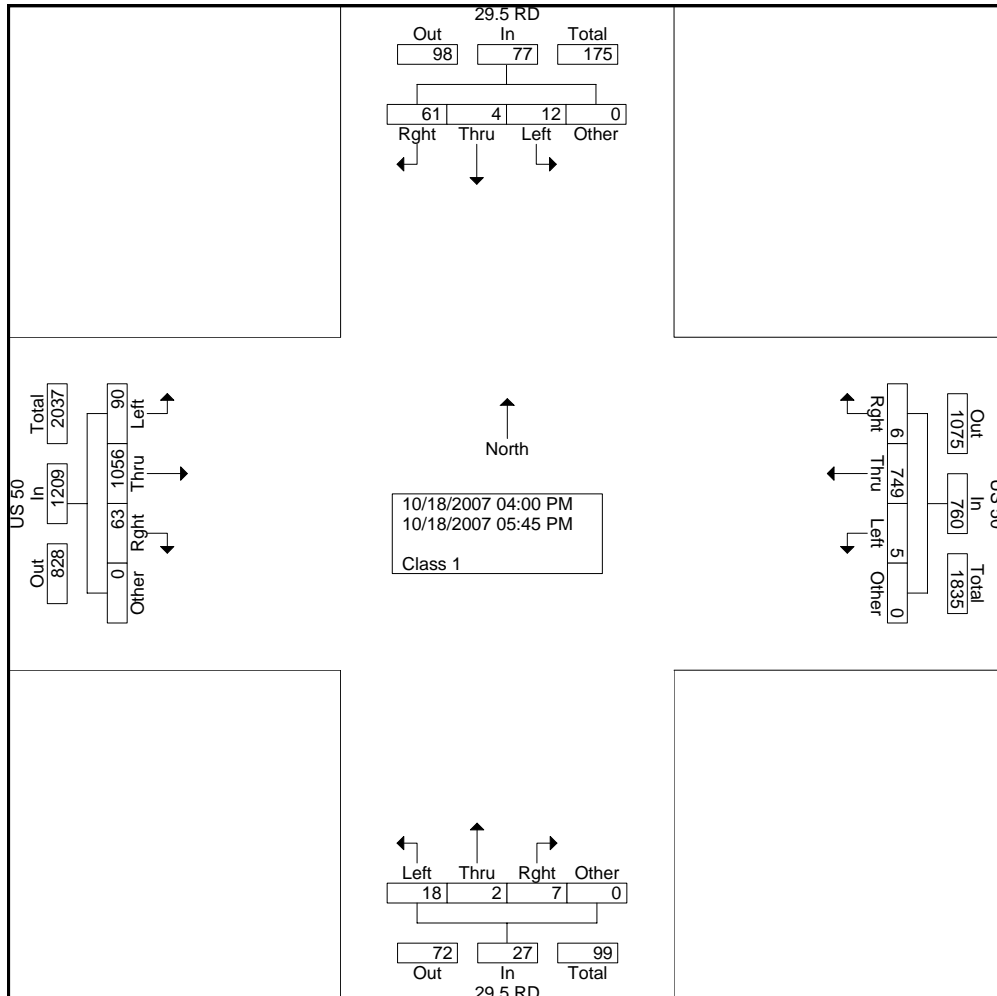


All Traffic Data Services, Inc.
 9660 W. 44th Ave.
 Wheat Ridge, CO 80033

File Name : #30 29.5 Rd & US 50 PM
 Site Code : 00000000
 Start Date : 10/18/2007
 Page No : 1

Groups Printed- Class 1

Start Time	29.5 RD Southbound				US 50 Westbound				29.5 RD Northbound				US 50 Eastbound				Int. Total
	Left	Thru	Right	Other	Left	Thru	Right	Other	Left	Thru	Right	Other	Left	Thru	Right	Other	
04:00 PM	1	0	15	0	0	89	1	0	5	0	0	0	5	119	13	0	248
04:15 PM	0	0	12	0	0	106	3	0	4	0	0	0	25	128	16	0	294
04:30 PM	1	0	11	0	1	92	0	0	3	0	3	0	10	134	15	0	270
04:45 PM	2	1	9	0	2	92	2	0	2	0	0	0	18	124	4	0	256
Total	4	1	47	0	3	379	6	0	14	0	3	0	58	505	48	0	1068
05:00 PM	0	0	8	0	0	92	0	0	2	1	0	0	10	117	2	0	232
05:15 PM	3	0	2	0	0	93	0	0	0	0	1	0	12	131	5	0	247
05:30 PM	3	2	3	0	1	96	0	0	1	0	1	0	5	162	4	0	278
05:45 PM	2	1	1	0	1	89	0	0	1	1	2	0	5	141	4	0	248
Total	8	3	14	0	2	370	0	0	4	2	4	0	32	551	15	0	1005
Grand Total	12	4	61	0	5	749	6	0	18	2	7	0	90	1056	63	0	2073
Apprch %	15.6	5.2	79.2	0	0.7	98.6	0.8	0	66.7	7.4	25.9	0	7.4	87.3	5.2	0	
Total %	0.6	0.2	2.9	0	0.2	36.1	0.3	0	0.9	0.1	0.3	0	4.3	50.9	3	0	

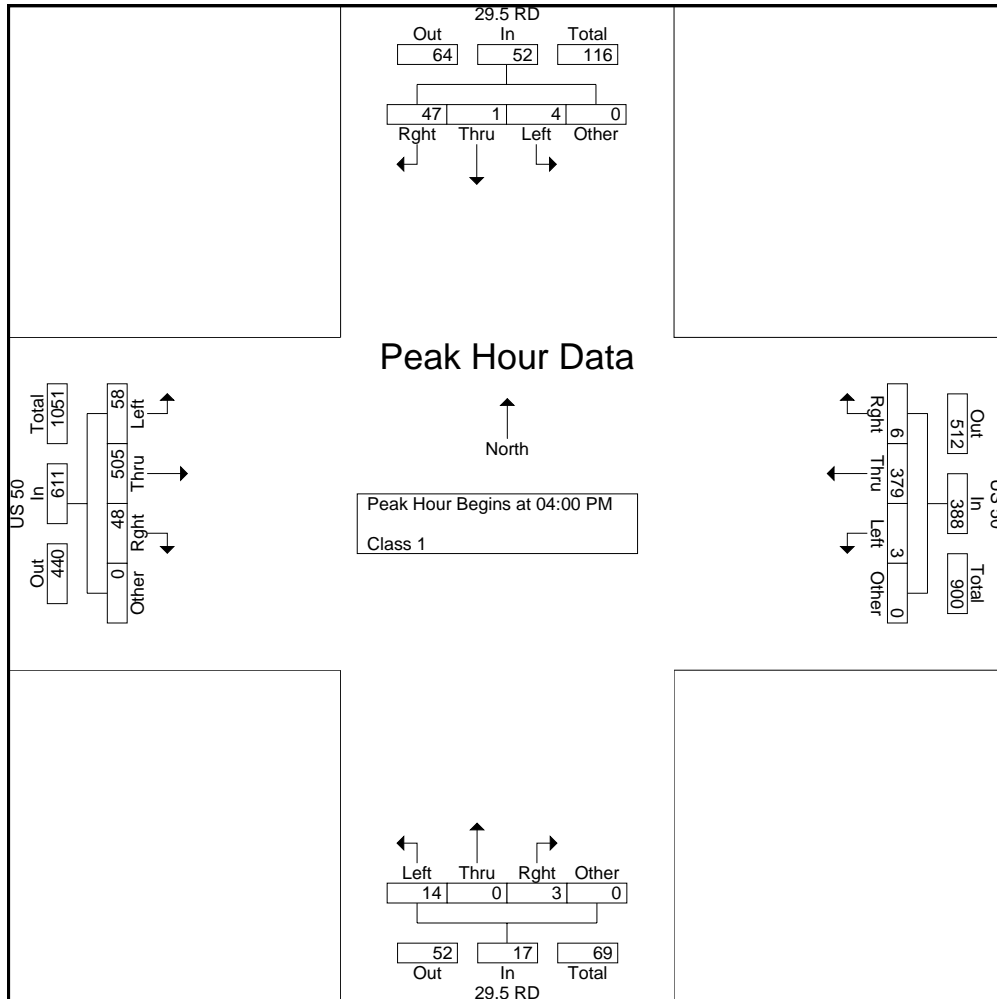




All Traffic Data Services, Inc.
 9660 W. 44th Ave.
 Wheat Ridge, CO 80033

File Name : #30 29.5 Rd & US 50 PM
 Site Code : 00000000
 Start Date : 10/18/2007
 Page No : 2

Start Time	29.5 RD Southbound					US 50 Westbound					29.5 RD Northbound					US 50 Eastbound					Int. Total
	Left	Thru	Right	Other	App. Total	Left	Thru	Right	Other	App. Total	Left	Thru	Right	Other	App. Total	Left	Thru	Right	Other	App. Total	
Peak Hour Analysis From 04:00 PM to 05:45 PM - Peak 1 of 1																					
Peak Hour for Entire Intersection Begins at 04:00 PM																					
04:00 PM	1	0	15	0	16	0	89	1	0	90	5	0	0	0	5	5	119	13	0	137	248
04:15 PM	0	0	12	0	12	0	106	3	0	109	4	0	0	0	4	25	128	16	0	169	294
04:30 PM	1	0	11	0	12	1	92	0	0	93	3	0	3	0	6	10	134	15	0	159	270
04:45 PM	2	1	9	0	12	2	92	2	0	96	2	0	0	0	2	18	124	4	0	146	256
Total Volume	4	1	47	0	52	3	379	6	0	388	14	0	3	0	17	58	505	48	0	611	1068
% App. Total	7.7	1.9	90.4	0		0.8	97.7	1.5	0		82.4	0	17.6	0		9.5	82.7	7.9	0		
PHF	.500	.250	.783	.000	.813	.375	.894	.500	.000	.890	.700	.000	.250	.000	.708	.580	.942	.750	.000	.904	.908



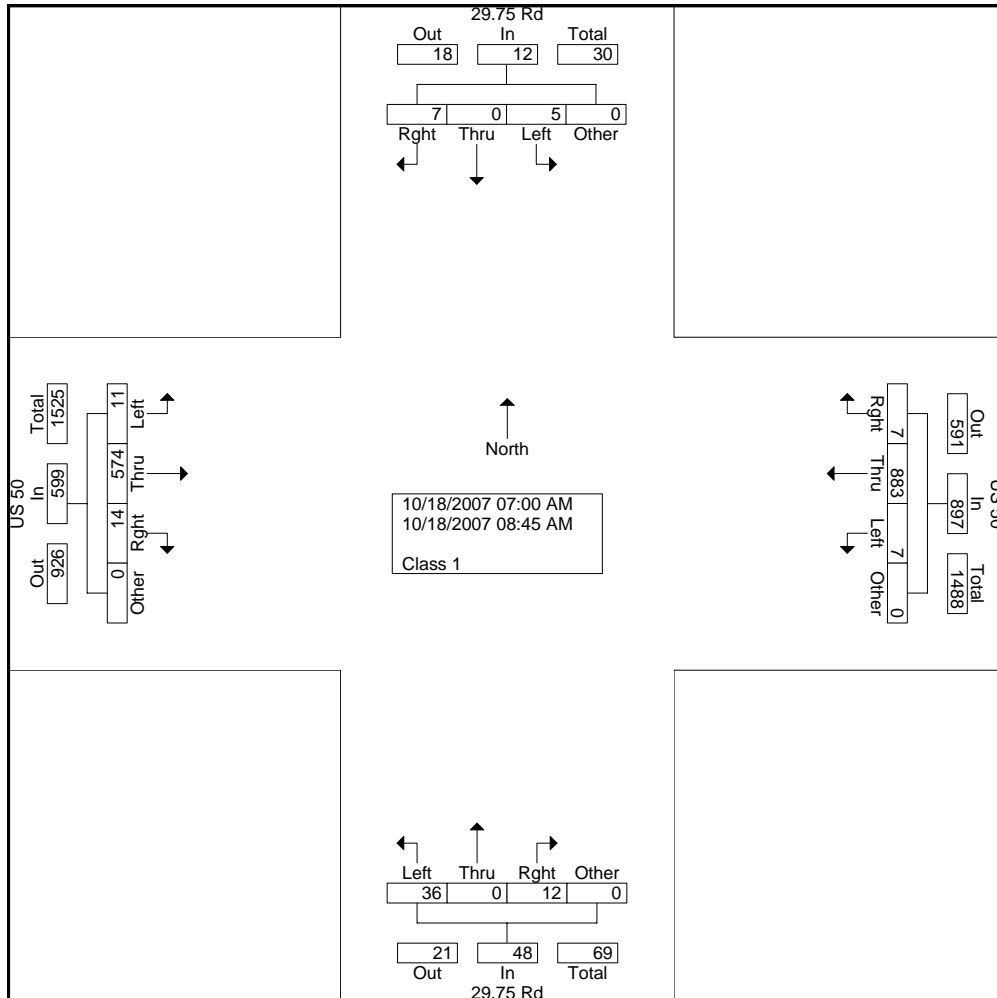


All Traffic Data Services, Inc.
 9660 W. 44th Ave.
 Wheat Ridge, CO 80033

File Name : #31 29.75 Rd & US 50 AM
 Site Code : 00000000
 Start Date : 10/18/2007
 Page No : 1

Groups Printed- Class 1

Start Time	29.75 Rd Southbound				US 50 Westbound				29.75 Rd Northbound				US 50 Eastbound				Int. Total
	Left	Thru	Right	Other	Left	Thru	Right	Other	Left	Thru	Right	Other	Left	Thru	Right	Other	
07:00 AM	2	0	0	0	2	102	0	0	10	0	0	0	1	69	1	0	187
07:15 AM	0	0	0	0	0	126	2	0	3	0	3	0	0	71	1	0	206
07:30 AM	0	0	0	0	2	157	0	0	4	0	1	0	3	69	3	0	239
07:45 AM	0	0	0	0	2	131	1	0	7	0	2	0	4	66	2	0	215
Total	2	0	0	0	6	516	3	0	24	0	6	0	8	275	7	0	847
08:00 AM	1	0	2	0	1	98	1	0	5	0	1	0	1	61	3	0	174
08:15 AM	1	0	1	0	0	89	2	0	0	0	2	0	1	79	2	0	177
08:30 AM	0	0	3	0	0	89	1	0	2	0	1	0	1	75	1	0	173
08:45 AM	1	0	1	0	0	91	0	0	5	0	2	0	0	84	1	0	185
Total	3	0	7	0	1	367	4	0	12	0	6	0	3	299	7	0	709
Grand Total	5	0	7	0	7	883	7	0	36	0	12	0	11	574	14	0	1556
Apprch %	41.7	0	58.3	0	0.8	98.4	0.8	0	75	0	25	0	1.8	95.8	2.3	0	
Total %	0.3	0	0.4	0	0.4	56.7	0.4	0	2.3	0	0.8	0	0.7	36.9	0.9	0	

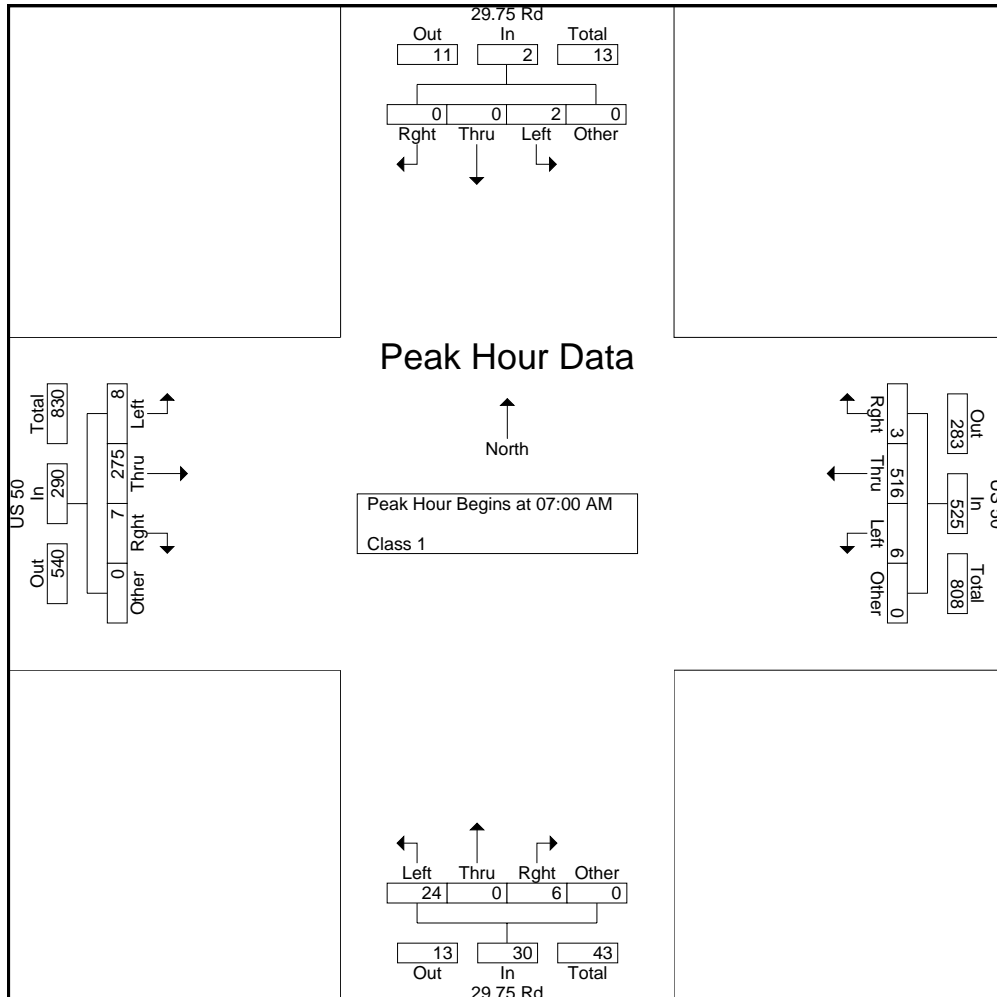




All Traffic Data Services, Inc.
 9660 W. 44th Ave.
 Wheat Ridge, CO 80033

File Name : #31 29.75 Rd & US 50 AM
 Site Code : 00000000
 Start Date : 10/18/2007
 Page No : 2

Start Time	29.75 Rd Southbound					US 50 Westbound					29.75 Rd Northbound					US 50 Eastbound					Int. Total
	Left	Thru	Right	Other	App. Total	Left	Thru	Right	Other	App. Total	Left	Thru	Right	Other	App. Total	Left	Thru	Right	Other	App. Total	
Peak Hour Analysis From 07:00 AM to 08:45 AM - Peak 1 of 1																					
Peak Hour for Entire Intersection Begins at 07:00 AM																					
07:00 AM	2	0	0	0	2	2	102	0	0	104	10	0	0	0	10	1	69	1	0	71	187
07:15 AM	0	0	0	0	0	0	126	2	0	128	3	0	3	0	6	0	71	1	0	72	206
07:30 AM	0	0	0	0	0	2	157	0	0	159	4	0	1	0	5	3	69	3	0	75	239
07:45 AM	0	0	0	0	0	2	131	1	0	134	7	0	2	0	9	4	66	2	0	72	215
Total Volume	2	0	0	0	2	6	516	3	0	525	24	0	6	0	30	8	275	7	0	290	847
% App. Total	100	0	0	0		1.1	98.3	0.6	0		80	0	20	0		2.8	94.8	2.4	0		
PHF	.250	.000	.000	.000	.250	.750	.822	.375	.000	.825	.600	.000	.500	.000	.750	.500	.968	.583	.000	.967	.886



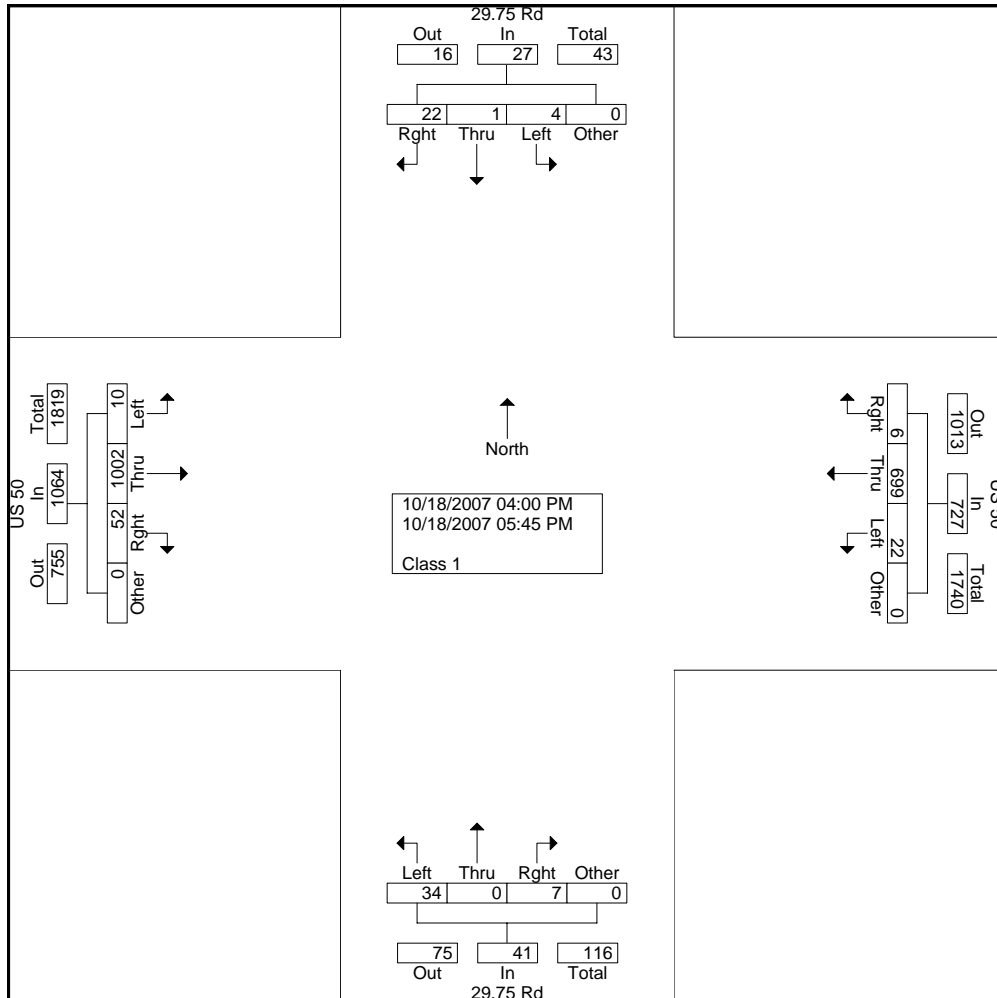


All Traffic Data Services, Inc.
 9660 W. 44th Ave.
 Wheat Ridge, CO 80033

File Name : #31 29.75 Rd & US 50 PM
 Site Code : 00000000
 Start Date : 10/18/2007
 Page No : 1

Groups Printed- Class 1

Start Time	29.75 Rd Southbound				US 50 Westbound				29.75 Rd Northbound				US 50 Eastbound				Int. Total
	Left	Thru	Right	Other	Left	Thru	Right	Other	Left	Thru	Right	Other	Left	Thru	Right	Other	
04:00 PM	0	0	4	0	3	85	1	0	2	0	1	0	0	120	4	0	220
04:15 PM	0	0	1	0	2	102	0	0	5	0	0	0	2	112	5	0	229
04:30 PM	0	0	2	0	2	86	0	0	5	0	4	0	5	123	10	0	237
04:45 PM	1	0	5	0	3	83	1	0	2	0	0	0	0	125	6	0	226
Total	1	0	12	0	10	356	2	0	14	0	5	0	7	480	25	0	912
05:00 PM	0	0	2	0	1	86	0	0	1	0	1	0	1	112	3	0	207
05:15 PM	0	0	3	0	3	88	3	0	5	0	0	0	2	126	8	0	238
05:30 PM	2	0	4	0	5	87	0	0	8	0	1	0	0	149	10	0	266
05:45 PM	1	1	1	0	3	82	1	0	6	0	0	0	0	135	6	0	236
Total	3	1	10	0	12	343	4	0	20	0	2	0	3	522	27	0	947
Grand Total	4	1	22	0	22	699	6	0	34	0	7	0	10	1002	52	0	1859
Apprch %	14.8	3.7	81.5	0	3	96.1	0.8	0	82.9	0	17.1	0	0.9	94.2	4.9	0	
Total %	0.2	0.1	1.2	0	1.2	37.6	0.3	0	1.8	0	0.4	0	0.5	53.9	2.8	0	

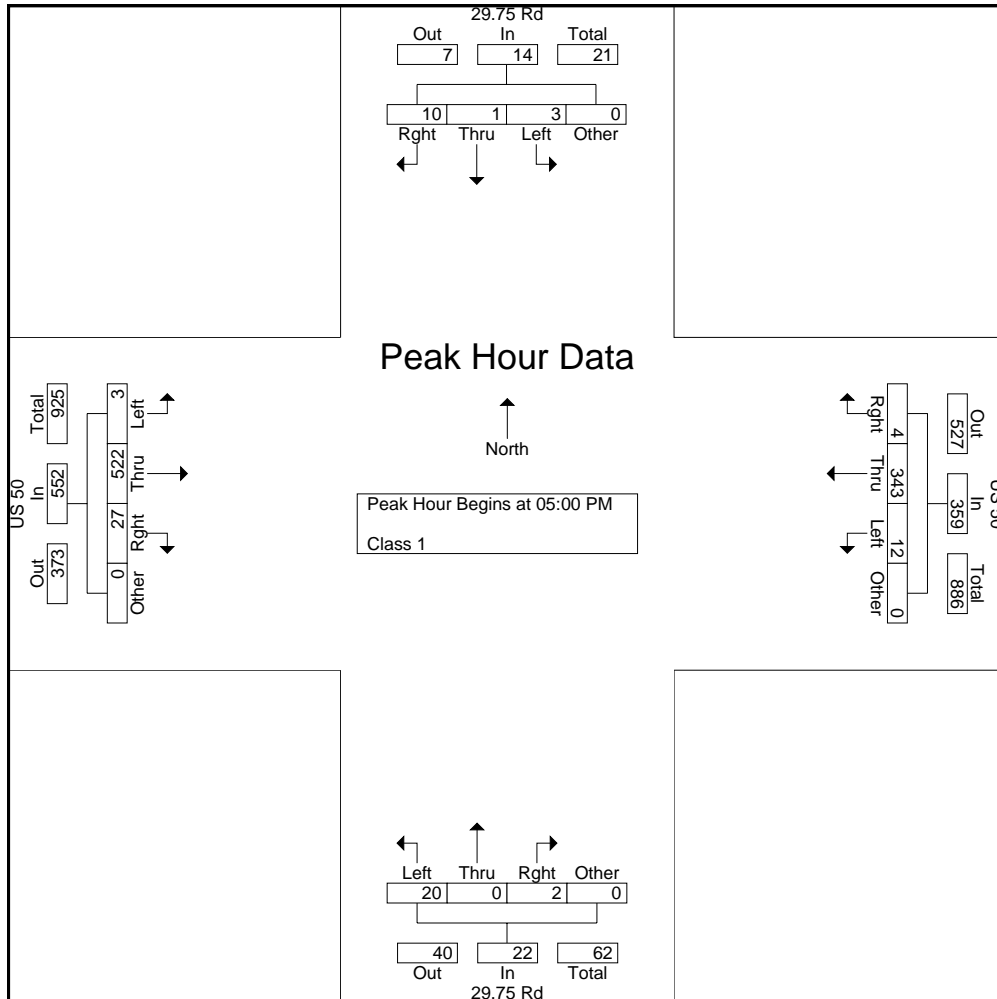




All Traffic Data Services, Inc.
 9660 W. 44th Ave.
 Wheat Ridge, CO 80033

File Name : #31 29.75 Rd & US 50 PM
 Site Code : 00000000
 Start Date : 10/18/2007
 Page No : 2

Start Time	29.75 Rd Southbound					US 50 Westbound					29.75 Rd Northbound					US 50 Eastbound					Int. Total
	Left	Thru	Right	Other	App. Total	Left	Thru	Right	Other	App. Total	Left	Thru	Right	Other	App. Total	Left	Thru	Right	Other	App. Total	
Peak Hour Analysis From 04:00 PM to 05:45 PM - Peak 1 of 1																					
Peak Hour for Entire Intersection Begins at 05:00 PM																					
05:00 PM	0	0	2	0	2	1	86	0	0	87	1	0	1	0	2	1	112	3	0	116	207
05:15 PM	0	0	3	0	3	3	88	3	0	94	5	0	0	0	5	2	126	8	0	136	238
05:30 PM	2	0	4	0	6	5	87	0	0	92	8	0	1	0	9	0	149	10	0	159	266
05:45 PM	1	1	1	0	3	3	82	1	0	86	6	0	0	0	6	0	135	6	0	141	236
Total Volume	3	1	10	0	14	12	343	4	0	359	20	0	2	0	22	3	522	27	0	552	947
% App. Total	21.4	7.1	71.4	0		3.3	95.5	1.1	0		90.9	0	9.1	0		0.5	94.6	4.9	0		
PHF	.375	.250	.625	.000	.583	.600	.974	.333	.000	.955	.625	.000	.500	.000	.611	.375	.876	.675	.000	.868	.890



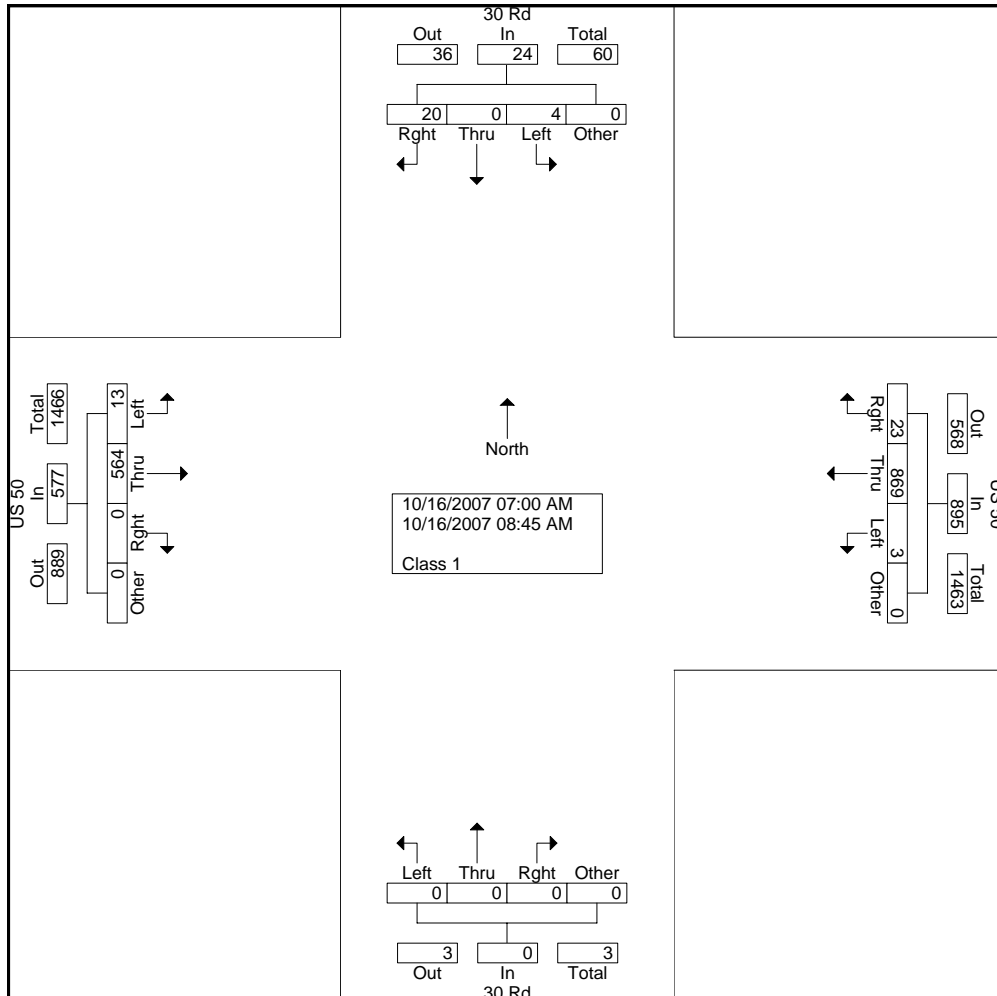


All Traffic Data Services, Inc.
 9660 W. 44th Ave.
 Wheat Ridge, CO 80033

File Name : #32 30 Rd & US 50 AM
 Site Code : 00000000
 Start Date : 10/16/2007
 Page No : 1

Groups Printed- Class 1

Start Time	30 Rd Southbound				US 50 Westbound				30 Rd Northbound				US 50 Eastbound				Int. Total
	Left	Thru	Right	Other	Left	Thru	Right	Other	Left	Thru	Right	Other	Left	Thru	Right	Other	
07:00 AM	0	0	1	0	1	104	0	0	0	0	0	0	1	69	0	0	176
07:15 AM	0	0	3	0	0	132	0	0	0	0	0	0	2	69	0	0	206
07:30 AM	0	0	2	0	0	154	2	0	0	0	0	0	0	68	0	0	226
07:45 AM	0	0	1	0	0	130	0	0	0	0	0	0	1	62	0	0	194
Total	0	0	7	0	1	520	2	0	0	0	0	0	4	268	0	0	802
08:00 AM	0	0	3	0	0	92	2	0	0	0	0	0	4	64	0	0	165
08:15 AM	1	0	1	0	0	89	2	0	0	0	0	0	1	78	0	0	172
08:30 AM	0	0	3	0	0	80	13	0	0	0	0	0	2	74	0	0	172
08:45 AM	3	0	6	0	2	88	4	0	0	0	0	0	2	80	0	0	185
Total	4	0	13	0	2	349	21	0	0	0	0	0	9	296	0	0	694
Grand Total	4	0	20	0	3	869	23	0	0	0	0	0	13	564	0	0	1496
Apprch %	16.7	0	83.3	0	0.3	97.1	2.6	0	0	0	0	0	2.3	97.7	0	0	
Total %	0.3	0	1.3	0	0.2	58.1	1.5	0	0	0	0	0	0.9	37.7	0	0	

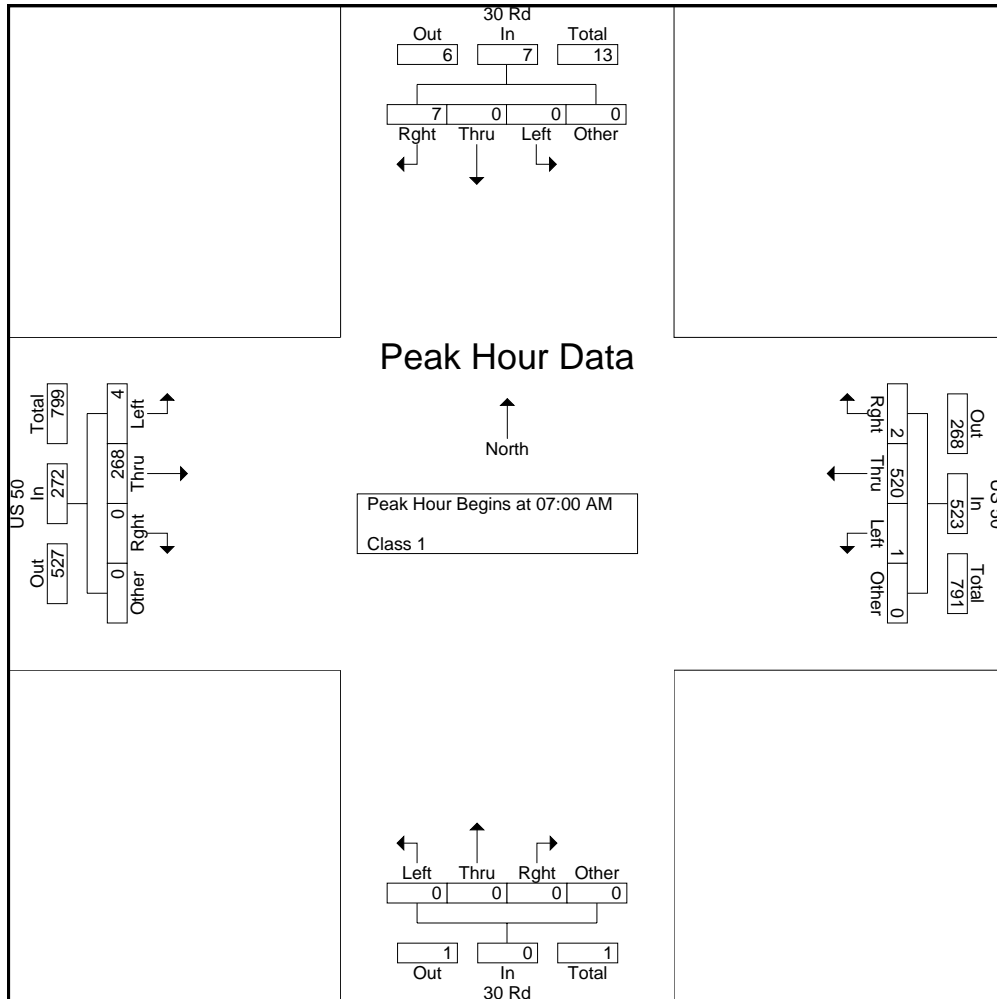




All Traffic Data Services, Inc.
 9660 W. 44th Ave.
 Wheat Ridge, CO 80033

File Name : #32 30 Rd & US 50 AM
 Site Code : 00000000
 Start Date : 10/16/2007
 Page No : 2

Start Time	30 Rd Southbound					US 50 Westbound					30 Rd Northbound					US 50 Eastbound					Int. Total
	Left	Thru	Right	Other	App. Total	Left	Thru	Right	Other	App. Total	Left	Thru	Right	Other	App. Total	Left	Thru	Right	Other	App. Total	
Peak Hour Analysis From 07:00 AM to 08:45 AM - Peak 1 of 1																					
Peak Hour for Entire Intersection Begins at 07:00 AM																					
07:00 AM	0	0	1	0	1	1	104	0	0	105	0	0	0	0	0	1	69	0	0	70	176
07:15 AM	0	0	3	0	3	0	132	0	0	132	0	0	0	0	0	2	69	0	0	71	206
07:30 AM	0	0	2	0	2	0	154	2	0	156	0	0	0	0	0	0	68	0	0	68	226
07:45 AM	0	0	1	0	1	0	130	0	0	130	0	0	0	0	0	1	62	0	0	63	194
Total Volume	0	0	7	0	7	1	520	2	0	523	0	0	0	0	0	4	268	0	0	272	802
% App. Total	0	0	100	0		0.2	99.4	0.4	0		0	0	0	0		1.5	98.5	0	0		
PHF	.000	.000	.583	.000	.583	.250	.844	.250	.000	.838	.000	.000	.000	.000	.000	.500	.971	.000	.000	.958	.887



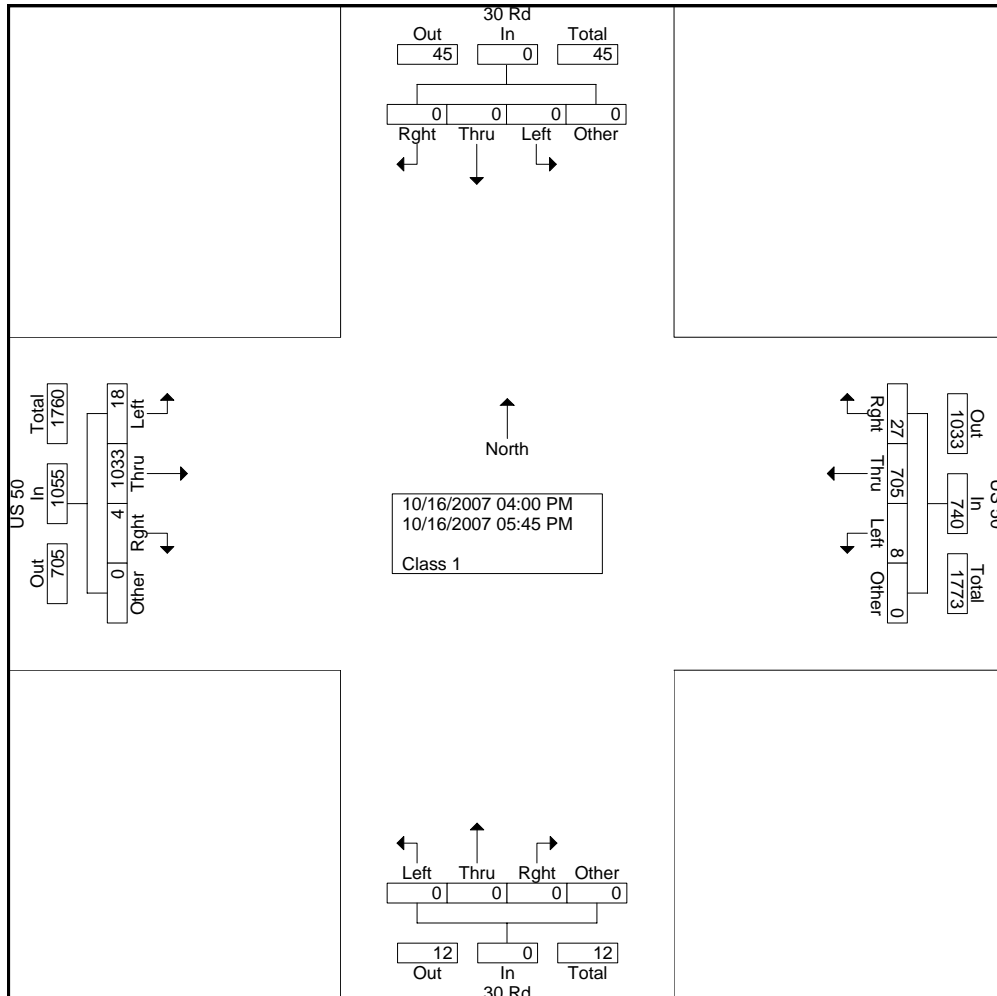


All Traffic Data Services, Inc.
 9660 W. 44th Ave.
 Wheat Ridge, CO 80033

File Name : #32 30 Rd & US 50 PM
 Site Code : 00000000
 Start Date : 10/16/2007
 Page No : 1

Groups Printed- Class 1

Start Time	30 Rd Southbound				US 50 Westbound				30 Rd Northbound				US 50 Eastbound				Int. Total
	Left	Thru	Right	Other	Left	Thru	Right	Other	Left	Thru	Right	Other	Left	Thru	Right	Other	
04:00 PM	0	0	0	0	0	87	0	0	0	0	0	0	0	128	1	0	216
04:15 PM	0	0	0	0	1	106	2	0	0	0	0	0	1	121	1	0	232
04:30 PM	0	0	0	0	1	86	4	0	0	0	0	0	2	142	0	0	235
04:45 PM	0	0	0	0	0	84	6	0	0	0	0	0	2	129	1	0	222
Total	0	0	0	0	2	363	12	0	0	0	0	0	5	520	3	0	905
05:00 PM	0	0	0	0	0	86	2	0	0	0	0	0	1	111	0	0	200
05:15 PM	0	0	0	0	2	88	5	0	0	0	0	0	3	130	0	0	228
05:30 PM	0	0	0	0	1	87	5	0	0	0	0	0	6	141	0	0	240
05:45 PM	0	0	0	0	3	81	3	0	0	0	0	0	3	131	1	0	222
Total	0	0	0	0	6	342	15	0	0	0	0	0	13	513	1	0	890
Grand Total	0	0	0	0	8	705	27	0	0	0	0	0	18	1033	4	0	1795
Apprch %	0	0	0	0	1.1	95.3	3.6	0	0	0	0	0	1.7	97.9	0.4	0	
Total %	0	0	0	0	0.4	39.3	1.5	0	0	0	0	0	1	57.5	0.2	0	

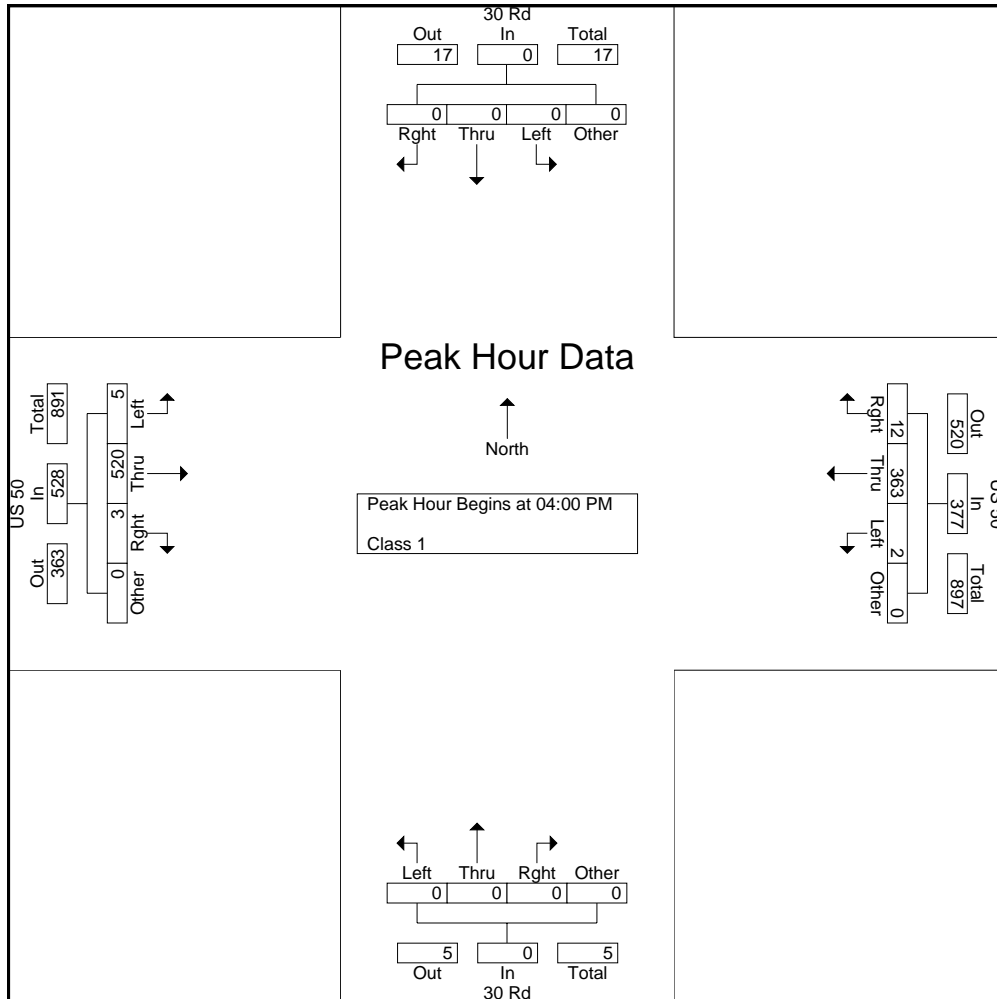




All Traffic Data Services, Inc.
 9660 W. 44th Ave.
 Wheat Ridge, CO 80033

File Name : #32 30 Rd & US 50 PM
 Site Code : 00000000
 Start Date : 10/16/2007
 Page No : 2

Start Time	30 Rd Southbound					US 50 Westbound					30 Rd Northbound					US 50 Eastbound					Int. Total
	Left	Thru	Right	Other	App. Total	Left	Thru	Right	Other	App. Total	Left	Thru	Right	Other	App. Total	Left	Thru	Right	Other	App. Total	
Peak Hour Analysis From 04:00 PM to 05:45 PM - Peak 1 of 1																					
Peak Hour for Entire Intersection Begins at 04:00 PM																					
04:00 PM	0	0	0	0	0	0	87	0	0	87	0	0	0	0	0	0	128	1	0	129	216
04:15 PM	0	0	0	0	0	1	106	2	0	109	0	0	0	0	0	1	121	1	0	123	232
04:30 PM	0	0	0	0	0	1	86	4	0	91	0	0	0	0	0	2	142	0	0	144	235
04:45 PM	0	0	0	0	0	0	84	6	0	90	0	0	0	0	0	2	129	1	0	132	222
Total Volume	0	0	0	0	0	2	363	12	0	377	0	0	0	0	0	5	520	3	0	528	905
% App. Total	0	0	0	0	0	0.5	96.3	3.2	0		0	0	0	0		0.9	98.5	0.6	0		
PHF	.000	.000	.000	.000	.000	.500	.856	.500	.000	.865	.000	.000	.000	.000	.000	.625	.915	.750	.000	.917	.963



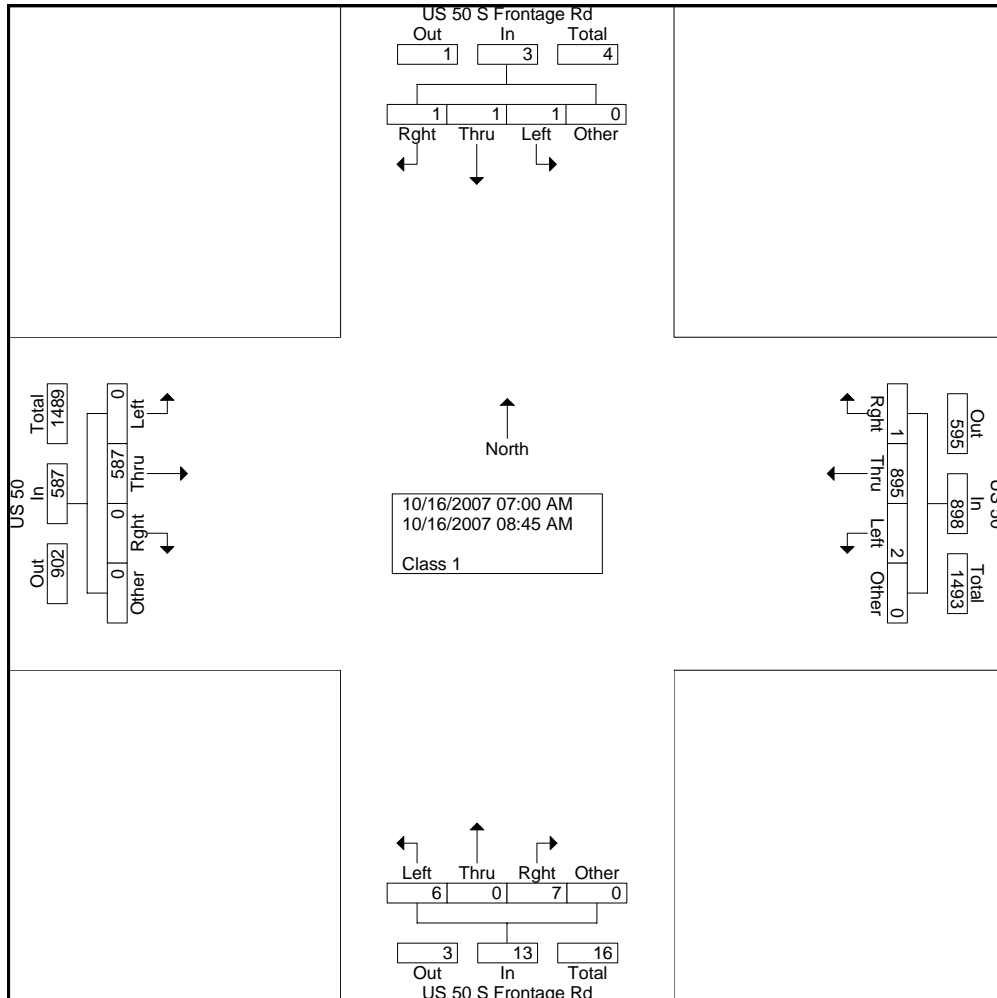


All Traffic Data Services, Inc.
 9660 W. 44th Ave.
 Wheat Ridge, CO 80033

File Name : #33 US 50 S Frontage Road & US 50 AM
 Site Code : 00000000
 Start Date : 10/16/2007
 Page No : 1

Groups Printed- Class 1

Start Time	US 50 S Frontage Rd Southbound				US 50 Westbound				US 50 S Frontage Rd Northbound				US 50 Eastbound				Int. Total
	Left	Thru	Right	Other	Left	Thru	Right	Other	Left	Thru	Right	Other	Left	Thru	Right	Other	
07:00 AM	0	1	0	0	0	97	0	0	1	0	0	0	0	68	0	0	167
07:15 AM	1	0	0	0	0	148	0	0	1	0	1	0	0	69	0	0	220
07:30 AM	0	0	0	0	0	151	0	0	1	0	3	0	0	76	0	0	231
07:45 AM	0	0	1	0	1	128	0	0	2	0	2	0	0	63	0	0	197
Total	1	1	1	0	1	524	0	0	5	0	6	0	0	276	0	0	815
08:00 AM	0	0	0	0	1	111	1	0	0	0	0	0	0	62	0	0	175
08:15 AM	0	0	0	0	0	75	0	0	0	0	0	0	0	74	0	0	149
08:30 AM	0	0	0	0	0	94	0	0	1	0	0	0	0	88	0	0	183
08:45 AM	0	0	0	0	0	91	0	0	0	0	1	0	0	87	0	0	179
Total	0	0	0	0	1	371	1	0	1	0	1	0	0	311	0	0	686
Grand Total	1	1	1	0	2	895	1	0	6	0	7	0	0	587	0	0	1501
Apprch %	33.3	33.3	33.3	0	0.2	99.7	0.1	0	46.2	0	53.8	0	0	100	0	0	
Total %	0.1	0.1	0.1	0	0.1	59.6	0.1	0	0.4	0	0.5	0	0	39.1	0	0	

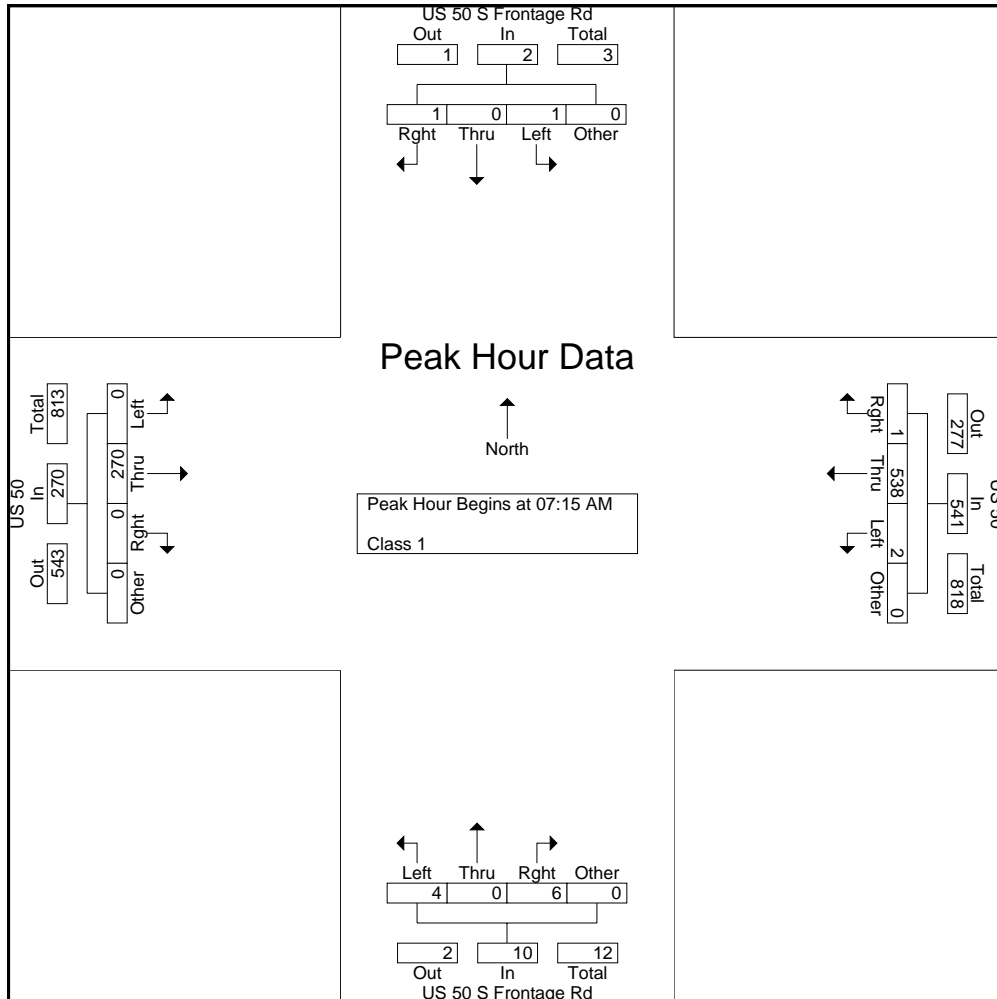




All Traffic Data Services, Inc.
 9660 W. 44th Ave.
 Wheat Ridge, CO 80033

File Name : #33 US 50 S Frontage Road & US 50 AM
 Site Code : 00000000
 Start Date : 10/16/2007
 Page No : 2

Start Time	US 50 S Frontage Rd Southbound					US 50 Westbound					US 50 S Frontage Rd Northbound					US 50 Eastbound					Int. Total
	Left	Thru	Right	Other	App. Total	Left	Thru	Right	Other	App. Total	Left	Thru	Right	Other	App. Total	Left	Thru	Right	Other	App. Total	
Peak Hour Analysis From 07:00 AM to 08:45 AM - Peak 1 of 1																					
Peak Hour for Entire Intersection Begins at 07:15 AM																					
07:15 AM	1	0	0	0	1	0	148	0	0	148	1	0	1	0	2	0	69	0	0	69	220
07:30 AM	0	0	0	0	0	0	151	0	0	151	1	0	3	0	4	0	76	0	0	76	231
07:45 AM	0	0	1	0	1	1	128	0	0	129	2	0	2	0	4	0	63	0	0	63	197
08:00 AM	0	0	0	0	0	1	111	1	0	113	0	0	0	0	0	0	62	0	0	62	175
Total Volume	1	0	1	0	2	2	538	1	0	541	4	0	6	0	10	0	270	0	0	270	823
% App. Total	50	0	50	0		0.4	99.4	0.2	0		40	0	60	0		0	100	0	0		
PHF	.250	.000	.250	.000	.500	.500	.891	.250	.000	.896	.500	.000	.500	.000	.625	.000	.888	.000	.000	.888	.891



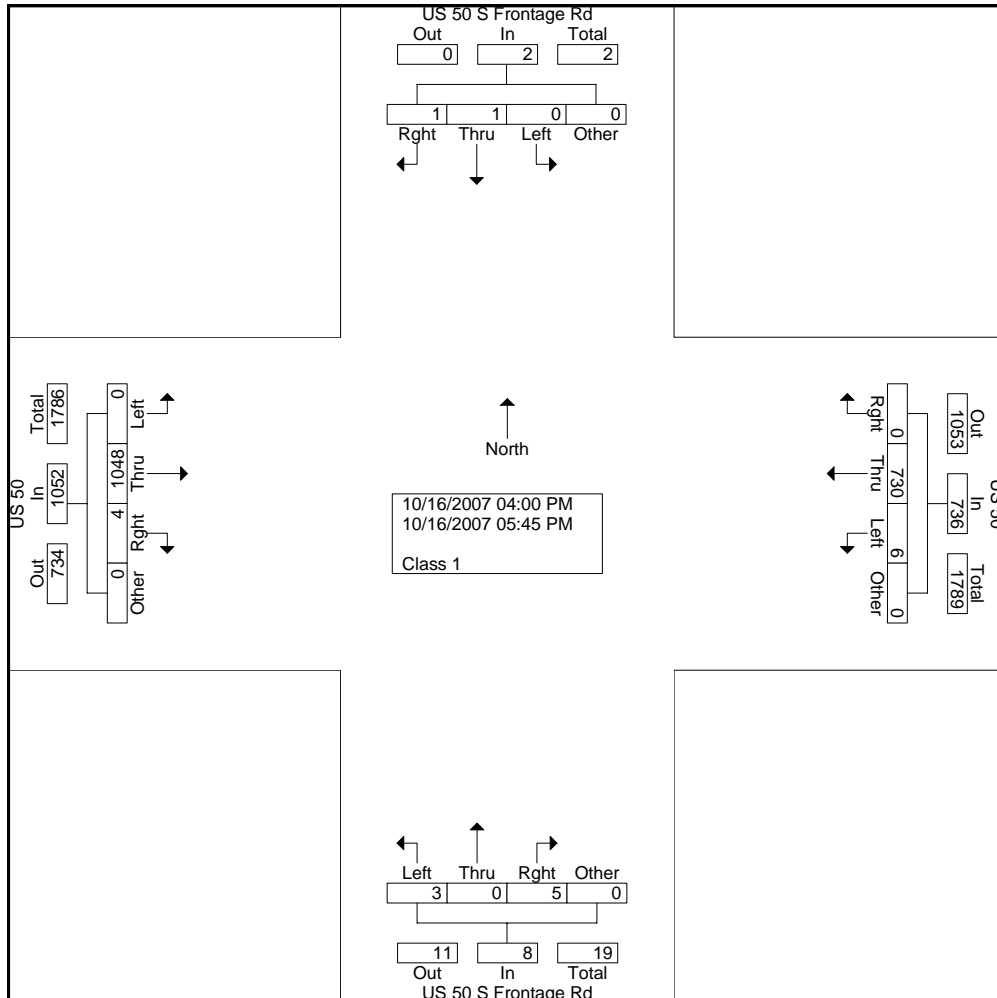


All Traffic Data Services, Inc.
 9660 W. 44th Ave.
 Wheat Ridge, CO 80033

File Name : #33 US 50 S Frontage Road & US 50 PM
 Site Code : 00000000
 Start Date : 10/16/2007
 Page No : 1

Groups Printed- Class 1

Start Time	US 50 S Frontage Rd Southbound				US 50 Westbound				US 50 S Frontage Rd Northbound				US 50 Eastbound				Int. Total
	Left	Thru	Right	Other	Left	Thru	Right	Other	Left	Thru	Right	Other	Left	Thru	Right	Other	
04:00 PM	0	1	0	0	0	88	0	0	2	0	0	0	0	123	0	0	214
04:15 PM	0	0	0	0	1	100	0	0	0	0	1	0	0	113	0	0	215
04:30 PM	0	0	0	0	1	91	0	0	0	0	0	0	0	129	1	0	222
04:45 PM	0	0	1	0	1	88	0	0	1	0	3	0	0	129	1	0	224
Total	0	1	1	0	3	367	0	0	3	0	4	0	0	494	2	0	875
05:00 PM	0	0	0	0	0	101	0	0	0	0	0	0	0	119	0	0	220
05:15 PM	0	0	0	0	1	95	0	0	0	0	1	0	0	138	1	0	236
05:30 PM	0	0	0	0	0	81	0	0	0	0	0	0	0	154	1	0	236
05:45 PM	0	0	0	0	2	86	0	0	0	0	0	0	0	143	0	0	231
Total	0	0	0	0	3	363	0	0	0	0	1	0	0	554	2	0	923
Grand Total	0	1	1	0	6	730	0	0	3	0	5	0	0	1048	4	0	1798
Apprch %	0	50	50	0	0.8	99.2	0	0	37.5	0	62.5	0	0	99.6	0.4	0	
Total %	0	0.1	0.1	0	0.3	40.6	0	0	0.2	0	0.3	0	0	58.3	0.2	0	

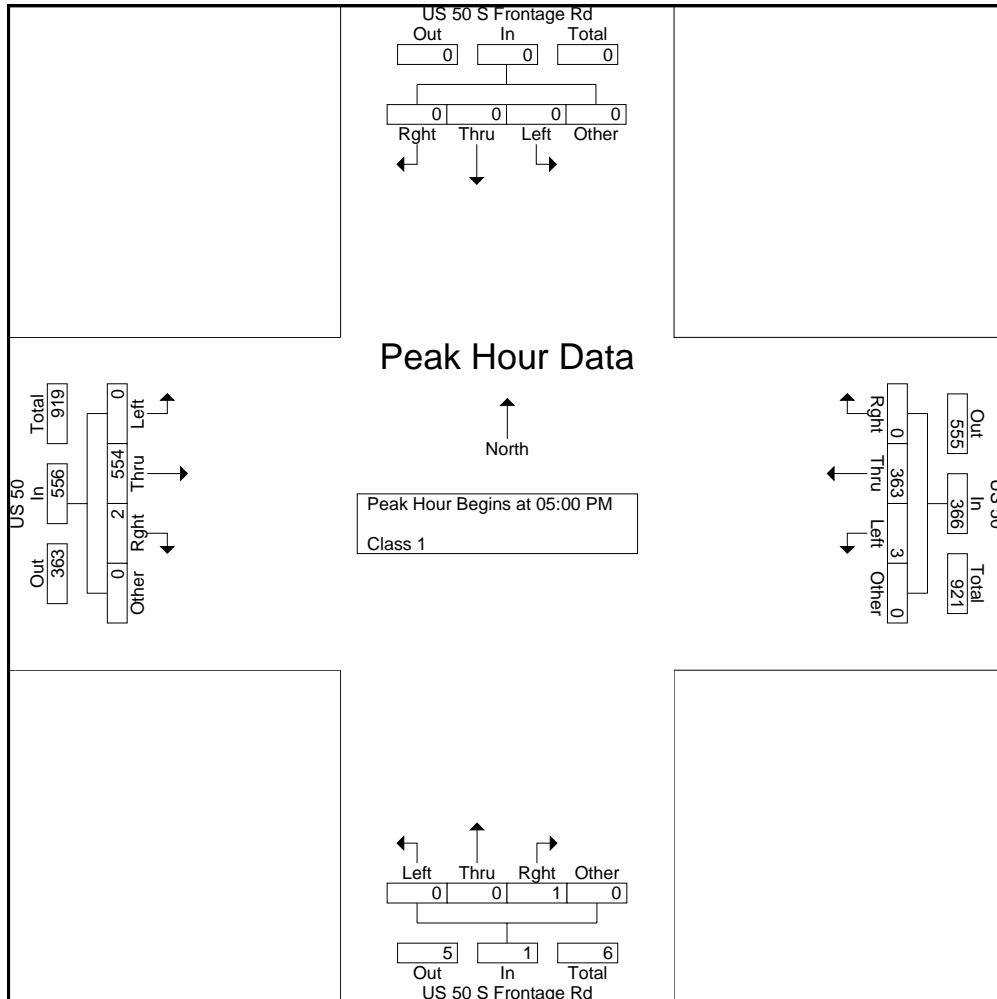




All Traffic Data Services, Inc.
 9660 W. 44th Ave.
 Wheat Ridge, CO 80033

File Name : #33 US 50 S Frontage Road & US 50 PM
 Site Code : 00000000
 Start Date : 10/16/2007
 Page No : 2

Start Time	US 50 S Frontage Rd Southbound					US 50 Westbound					US 50 S Frontage Rd Northbound					US 50 Eastbound					Int. Total
	Left	Thru	Right	Other	App. Total	Left	Thru	Right	Other	App. Total	Left	Thru	Right	Other	App. Total	Left	Thru	Right	Other	App. Total	
Peak Hour Analysis From 04:00 PM to 05:45 PM - Peak 1 of 1																					
Peak Hour for Entire Intersection Begins at 05:00 PM																					
05:00 PM	0	0	0	0	0	0	101	0	0	101	0	0	0	0	0	0	119	0	0	119	220
05:15 PM	0	0	0	0	0	1	95	0	0	96	0	0	1	0	1	0	138	1	0	139	236
05:30 PM	0	0	0	0	0	0	81	0	0	81	0	0	0	0	0	0	154	1	0	155	236
05:45 PM	0	0	0	0	0	2	86	0	0	88	0	0	0	0	0	0	143	0	0	143	231
Total Volume	0	0	0	0	0	3	363	0	0	366	0	0	1	0	1	0	554	2	0	556	923
% App. Total	0	0	0	0	0	0.8	99.2	0	0		0	0	100	0		0	99.6	0.4	0		
PHF	.000	.000	.000	.000	.000	.375	.899	.000	.000	.906	.000	.000	.250	.000	.250	.000	.899	.500	.000	.897	.978



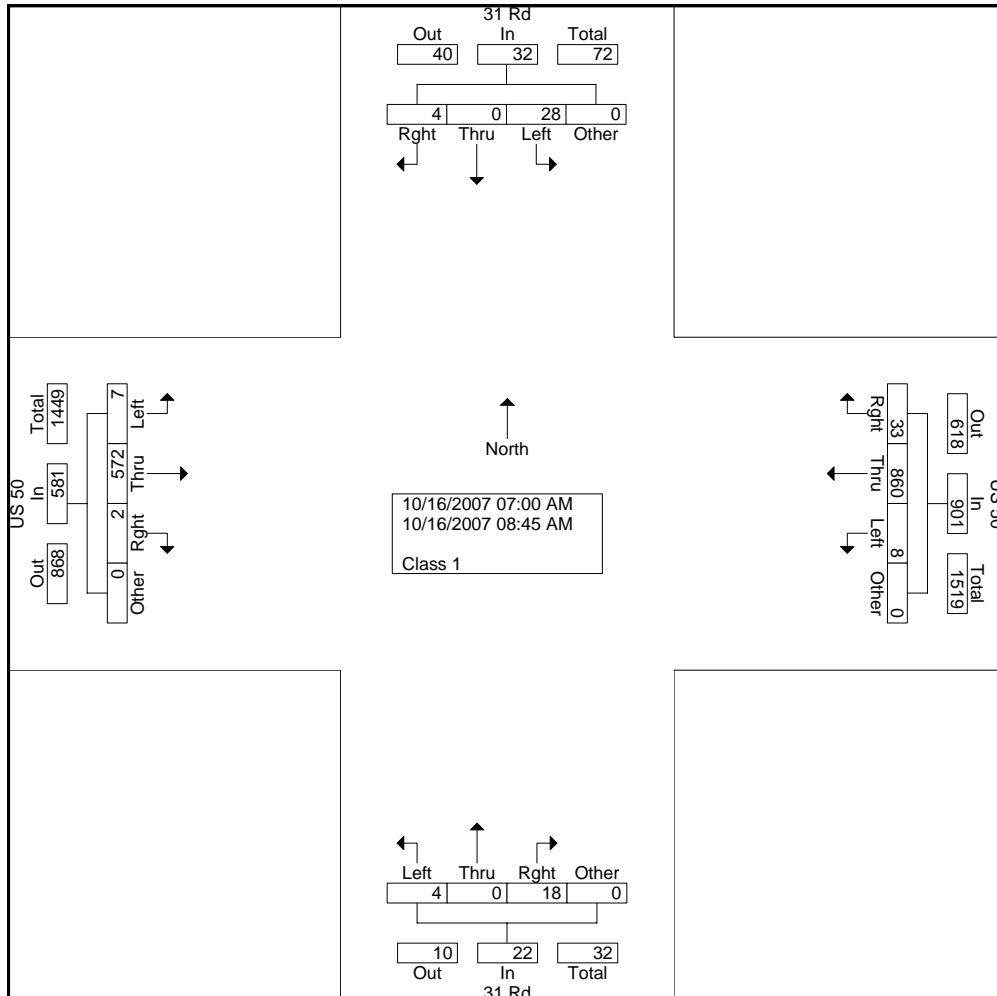


All Traffic Data Services, Inc.
 9660 W. 44th Ave.
 Wheat Ridge, CO 80033

File Name : #34 31 RD & US 50 AM
 Site Code : 00000000
 Start Date : 10/16/2007
 Page No : 1

Groups Printed- Class 1

Start Time	31 Rd Southbound				US 50 Westbound				31 Rd Northbound				US 50 Eastbound				Int. Total
	Left	Thru	Right	Other	Left	Thru	Right	Other	Left	Thru	Right	Other	Left	Thru	Right	Other	
07:00 AM	0	0	0	0	1	92	4	0	0	0	1	0	0	65	0	0	163
07:15 AM	8	0	0	0	4	146	6	0	2	0	6	0	0	67	0	0	239
07:30 AM	5	0	0	0	1	145	5	0	0	0	2	0	2	72	1	0	233
07:45 AM	2	0	2	0	0	123	5	0	0	0	3	0	3	60	0	0	198
Total	15	0	2	0	6	506	20	0	2	0	12	0	5	264	1	0	833
08:00 AM	5	0	1	0	0	104	8	0	0	0	3	0	2	64	0	0	187
08:15 AM	0	0	0	0	0	77	1	0	0	0	0	0	0	72	0	0	150
08:30 AM	5	0	0	0	1	91	3	0	0	0	1	0	0	87	0	0	188
08:45 AM	3	0	1	0	1	82	1	0	2	0	2	0	0	85	1	0	178
Total	13	0	2	0	2	354	13	0	2	0	6	0	2	308	1	0	703
Grand Total	28	0	4	0	8	860	33	0	4	0	18	0	7	572	2	0	1536
Apprch %	87.5	0	12.5	0	0.9	95.4	3.7	0	18.2	0	81.8	0	1.2	98.5	0.3	0	
Total %	1.8	0	0.3	0	0.5	56	2.1	0	0.3	0	1.2	0	0.5	37.2	0.1	0	

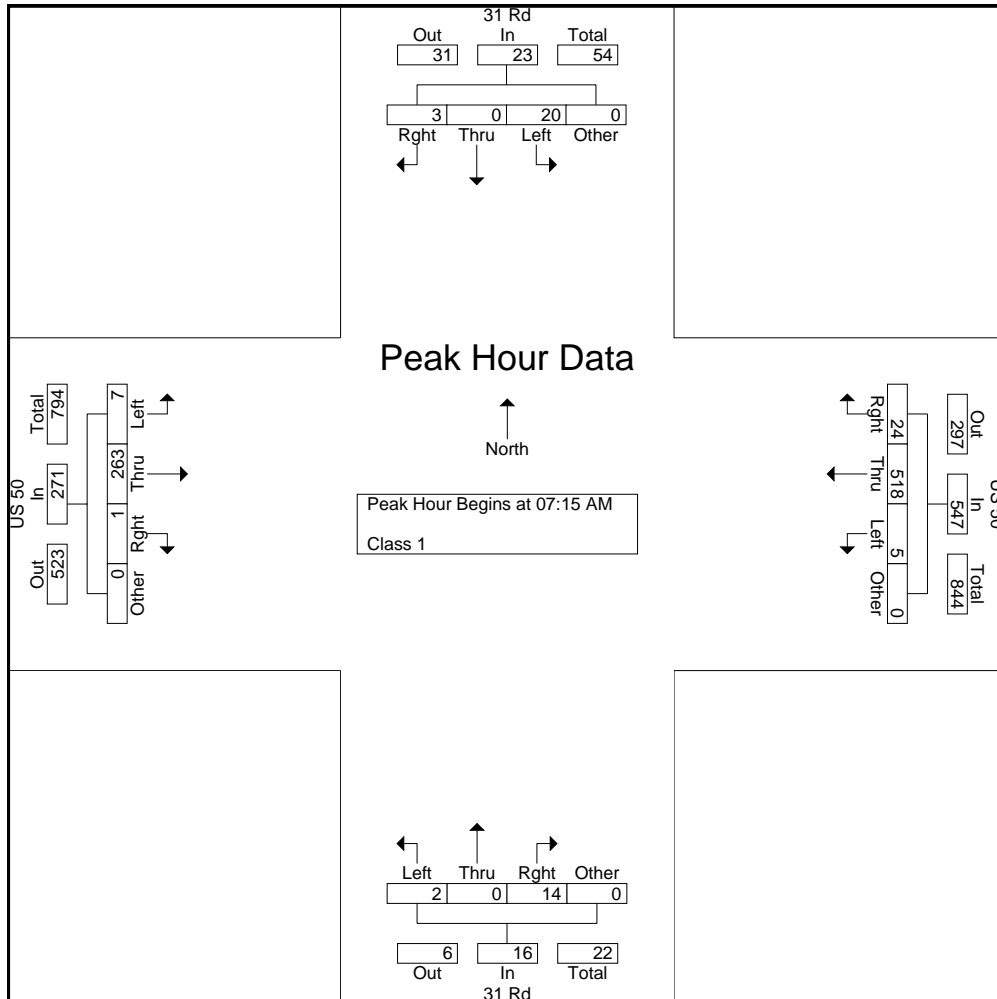




All Traffic Data Services, Inc.
 9660 W. 44th Ave.
 Wheat Ridge, CO 80033

File Name : #34 31 RD & US 50 AM
 Site Code : 00000000
 Start Date : 10/16/2007
 Page No : 2

Start Time	31 Rd Southbound					US 50 Westbound					31 Rd Northbound					US 50 Eastbound					Int. Total
	Left	Thru	Right	Other	App. Total	Left	Thru	Right	Other	App. Total	Left	Thru	Right	Other	App. Total	Left	Thru	Right	Other	App. Total	
Peak Hour Analysis From 07:00 AM to 08:45 AM - Peak 1 of 1																					
Peak Hour for Entire Intersection Begins at 07:15 AM																					
07:15 AM	8	0	0	0	8	4	146	6	0	156	2	0	6	0	8	0	67	0	0	67	239
07:30 AM	5	0	0	0	5	1	145	5	0	151	0	0	2	0	2	2	72	1	0	75	233
07:45 AM	2	0	2	0	4	0	123	5	0	128	0	0	3	0	3	3	60	0	0	63	198
08:00 AM	5	0	1	0	6	0	104	8	0	112	0	0	3	0	3	2	64	0	0	66	187
Total Volume	20	0	3	0	23	5	518	24	0	547	2	0	14	0	16	7	263	1	0	271	857
% App. Total	87	0	13	0		0.9	94.7	4.4	0		12.5	0	87.5	0		2.6	97	0.4	0		
PHF	.625	.000	.375	.000	.719	.313	.887	.750	.000	.877	.250	.000	.583	.000	.500	.583	.913	.250	.000	.903	.896



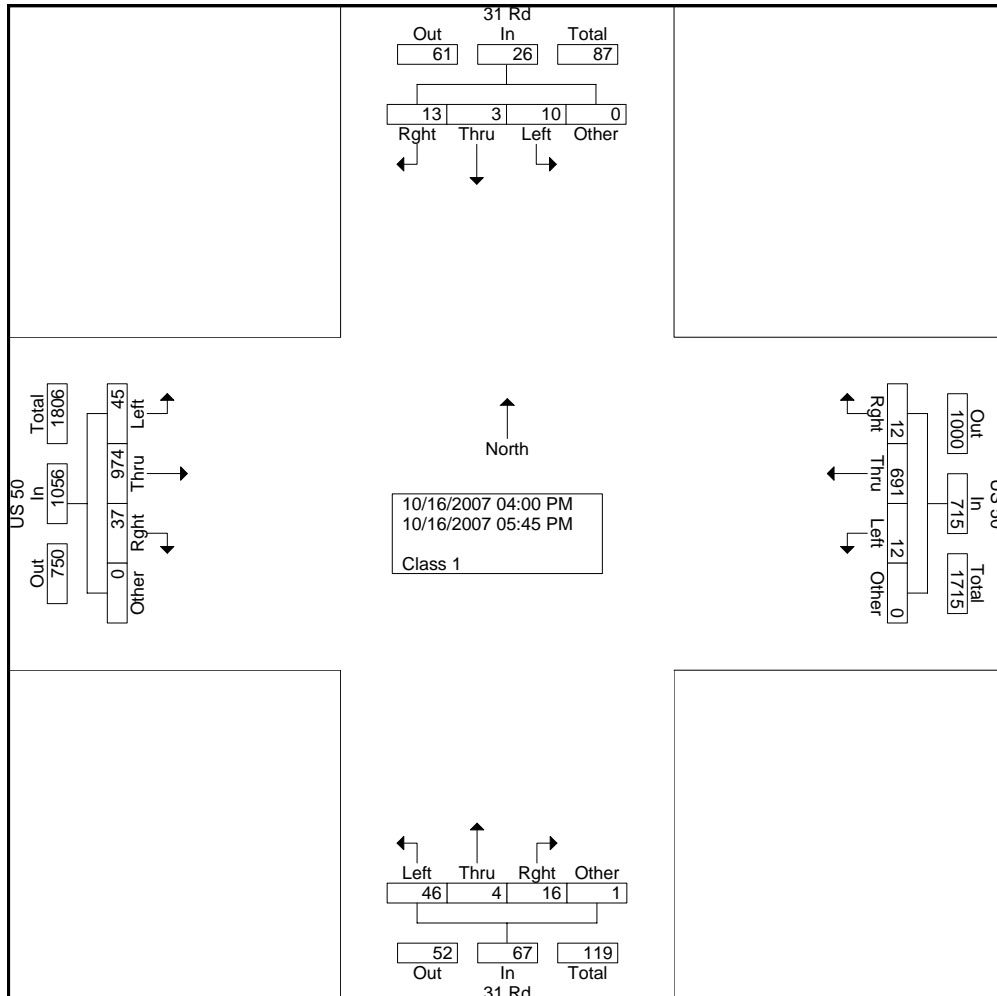


All Traffic Data Services, Inc.
 9660 W. 44th Ave.
 Wheat Ridge, CO 80033

File Name : #34 31 RD & US 50 PM
 Site Code : 00000000
 Start Date : 10/16/2007
 Page No : 1

Groups Printed- Class 1

Start Time	31 Rd Southbound				US 50 Westbound				31 Rd Northbound				US 50 Eastbound				Int. Total
	Left	Thru	Right	Other	Left	Thru	Right	Other	Left	Thru	Right	Other	Left	Thru	Right	Other	
04:00 PM	1	0	1	0	1	91	1	0	6	0	4	0	2	137	9	0	253
04:15 PM	1	0	1	0	0	92	0	0	7	1	4	0	1	117	5	0	229
04:30 PM	1	0	2	0	5	84	3	0	4	0	2	1	8	105	7	0	222
04:45 PM	6	1	4	0	4	83	0	0	10	0	0	0	11	130	6	0	255
Total	9	1	8	0	10	350	4	0	27	1	10	1	22	489	27	0	959
05:00 PM	0	1	0	0	2	90	1	0	9	1	2	0	9	113	0	0	228
05:15 PM	0	0	1	0	0	80	2	0	4	0	2	0	4	116	4	0	213
05:30 PM	1	0	2	0	0	90	4	0	2	0	1	0	5	130	4	0	239
05:45 PM	0	1	2	0	0	81	1	0	4	2	1	0	5	126	2	0	225
Total	1	2	5	0	2	341	8	0	19	3	6	0	23	485	10	0	905
Grand Total	10	3	13	0	12	691	12	0	46	4	16	1	45	974	37	0	1864
Apprch %	38.5	11.5	50	0	1.7	96.6	1.7	0	68.7	6	23.9	1.5	4.3	92.2	3.5	0	
Total %	0.5	0.2	0.7	0	0.6	37.1	0.6	0	2.5	0.2	0.9	0.1	2.4	52.3	2	0	

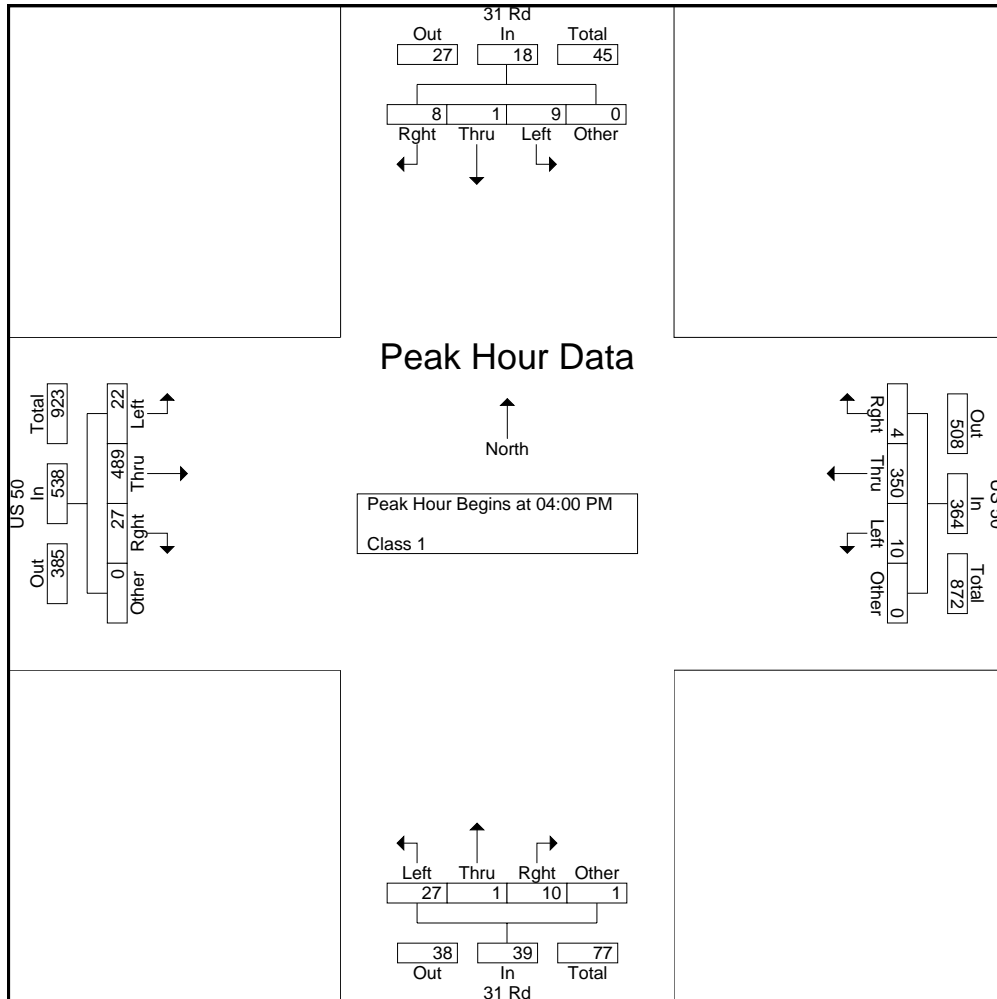




All Traffic Data Services, Inc.
 9660 W. 44th Ave.
 Wheat Ridge, CO 80033

File Name : #34 31 RD & US 50 PM
 Site Code : 00000000
 Start Date : 10/16/2007
 Page No : 2

Start Time	31 Rd Southbound					US 50 Westbound					31 Rd Northbound					US 50 Eastbound					Int. Total
	Left	Thru	Right	Other	App. Total	Left	Thru	Right	Other	App. Total	Left	Thru	Right	Other	App. Total	Left	Thru	Right	Other	App. Total	
Peak Hour Analysis From 04:00 PM to 05:45 PM - Peak 1 of 1																					
Peak Hour for Entire Intersection Begins at 04:00 PM																					
04:00 PM	1	0	1	0	2	1	91	1	0	93	6	0	4	0	10	2	137	9	0	148	253
04:15 PM	1	0	1	0	2	0	92	0	0	92	7	1	4	0	12	1	117	5	0	123	229
04:30 PM	1	0	2	0	3	5	84	3	0	92	4	0	2	1	7	8	105	7	0	120	222
04:45 PM	6	1	4	0	11	4	83	0	0	87	10	0	0	0	10	11	130	6	0	147	255
Total Volume	9	1	8	0	18	10	350	4	0	364	27	1	10	1	39	22	489	27	0	538	959
% App. Total	50	5.6	44.4	0		2.7	96.2	1.1	0		69.2	2.6	25.6	2.6		4.1	90.9	5	0		
PHF	.375	.250	.500	.000	.409	.500	.951	.333	.000	.978	.675	.250	.625	.250	.813	.500	.892	.750	.000	.909	.940



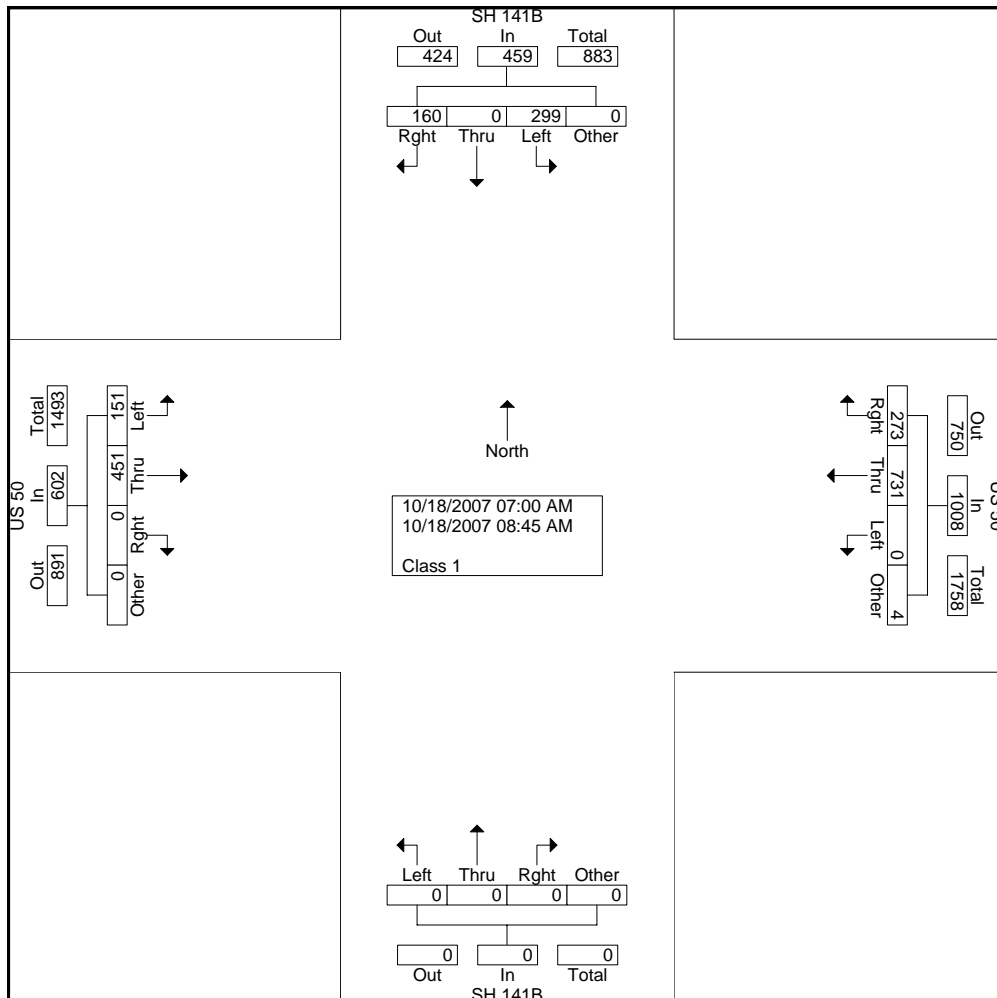


All Traffic Data Services, Inc.
 9660 W. 44th Ave.
 Wheat Ridge, CO 80033

File Name : #35 SH 141B & US 50 AM
 Site Code : 00000000
 Start Date : 10/18/2007
 Page No : 1

Groups Printed- Class 1

Start Time	SH 141B Southbound				US 50 Westbound				SH 141B Northbound				US 50 Eastbound				Int. Total
	Left	Thru	Right	Other	Left	Thru	Right	Other	Left	Thru	Right	Other	Left	Thru	Right	Other	
07:00 AM	33	0	19	0	0	72	32	0	0	0	0	0	13	54	0	0	223
07:15 AM	41	0	15	0	0	132	26	0	0	0	0	0	16	53	0	0	283
07:30 AM	33	0	25	0	0	126	48	1	0	0	0	0	22	57	0	0	312
07:45 AM	40	0	28	0	0	103	42	0	0	0	0	0	14	54	0	0	281
Total	147	0	87	0	0	433	148	1	0	0	0	0	65	218	0	0	1099
08:00 AM	43	0	14	0	0	90	34	3	0	0	0	0	21	46	0	0	251
08:15 AM	37	0	12	0	0	70	31	0	0	0	0	0	10	63	0	0	223
08:30 AM	31	0	24	0	0	80	37	0	0	0	0	0	32	59	0	0	263
08:45 AM	41	0	23	0	0	58	23	0	0	0	0	0	23	65	0	0	233
Total	152	0	73	0	0	298	125	3	0	0	0	0	86	233	0	0	970
Grand Total	299	0	160	0	0	731	273	4	0	0	0	0	151	451	0	0	2069
Apprch %	65.1	0	34.9	0	0	72.5	27.1	0.4	0	0	0	0	25.1	74.9	0	0	
Total %	14.5	0	7.7	0	0	35.3	13.2	0.2	0	0	0	0	7.3	21.8	0	0	

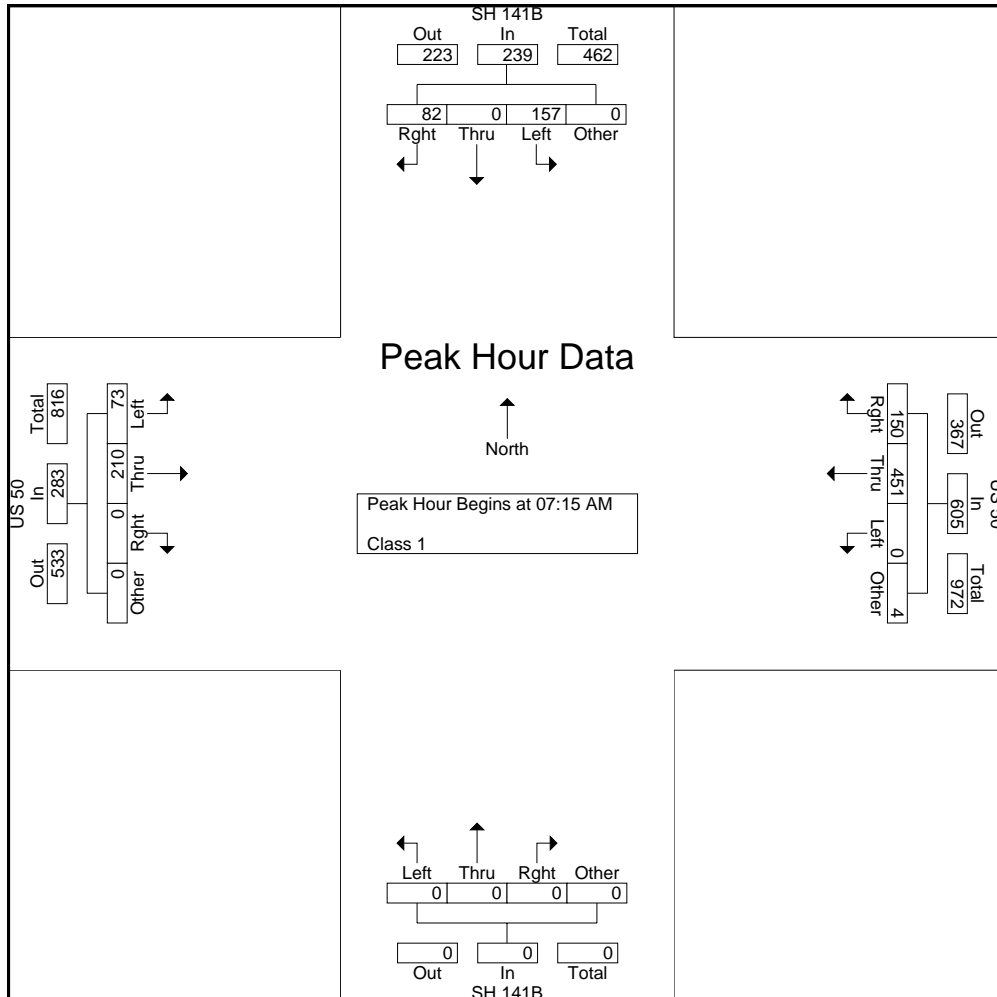




All Traffic Data Services, Inc.
 9660 W. 44th Ave.
 Wheat Ridge, CO 80033

File Name : #35 SH 141B & US 50 AM
 Site Code : 00000000
 Start Date : 10/18/2007
 Page No : 2

Start Time	SH 141B Southbound					US 50 Westbound					SH 141B Northbound					US 50 Eastbound					Int. Total
	Left	Thru	Right	Other	App. Total	Left	Thru	Right	Other	App. Total	Left	Thru	Right	Other	App. Total	Left	Thru	Right	Other	App. Total	
Peak Hour Analysis From 07:00 AM to 08:45 AM - Peak 1 of 1																					
Peak Hour for Entire Intersection Begins at 07:15 AM																					
07:15 AM	41	0	15	0	56	0	132	26	0	158	0	0	0	0	0	16	53	0	0	69	283
07:30 AM	33	0	25	0	58	0	126	48	1	175	0	0	0	0	0	22	57	0	0	79	312
07:45 AM	40	0	28	0	68	0	103	42	0	145	0	0	0	0	0	14	54	0	0	68	281
08:00 AM	43	0	14	0	57	0	90	34	3	127	0	0	0	0	0	21	46	0	0	67	251
Total Volume	157	0	82	0	239	0	451	150	4	605	0	0	0	0	0	73	210	0	0	283	1127
% App. Total	65.7	0	34.3	0		0	74.5	24.8	0.7		0	0	0	0		25.8	74.2	0	0		
PHF	.913	.000	.732	.000	.879	.000	.854	.781	.333	.864	.000	.000	.000	.000	.000	.830	.921	.000	.000	.896	.903



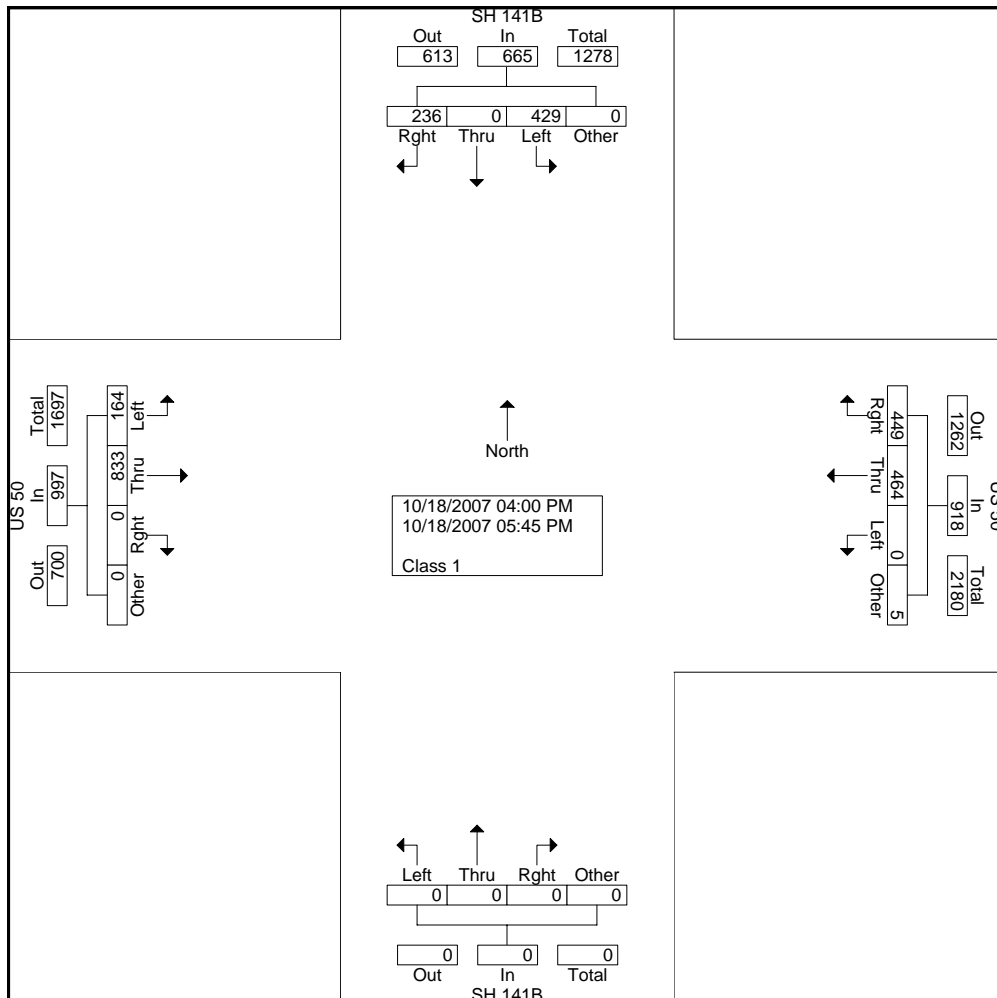


All Traffic Data Services, Inc.
 9660 W. 44th Ave.
 Wheat Ridge, CO 80033

File Name : #35 SH 141B & US 50 PM
 Site Code : 00000000
 Start Date : 10/18/2007
 Page No : 1

Groups Printed- Class 1

Start Time	SH 141B Southbound				US 50 Westbound				SH 141B Northbound				US 50 Eastbound				Int. Total
	Left	Thru	Right	Other	Left	Thru	Right	Other	Left	Thru	Right	Other	Left	Thru	Right	Other	
04:00 PM	59	0	26	0	0	59	48	0	0	0	0	0	32	95	0	0	319
04:15 PM	44	0	31	0	0	66	53	0	0	0	0	0	24	90	0	0	308
04:30 PM	50	0	22	0	0	54	56	4	0	0	0	0	33	83	0	0	302
04:45 PM	58	0	29	0	0	54	51	1	0	0	0	0	18	125	0	0	336
Total	211	0	108	0	0	233	208	5	0	0	0	0	107	393	0	0	1265
05:00 PM	59	0	36	0	0	52	63	0	0	0	0	0	15	100	0	0	325
05:15 PM	58	0	38	0	0	63	61	0	0	0	0	0	10	116	0	0	346
05:30 PM	58	0	27	0	0	61	56	0	0	0	0	0	16	117	0	0	335
05:45 PM	43	0	27	0	0	55	61	0	0	0	0	0	16	107	0	0	309
Total	218	0	128	0	0	231	241	0	0	0	0	0	57	440	0	0	1315
Grand Total	429	0	236	0	0	464	449	5	0	0	0	0	164	833	0	0	2580
Apprch %	64.5	0	35.5	0	0	50.5	48.9	0.5	0	0	0	0	16.4	83.6	0	0	
Total %	16.6	0	9.1	0	0	18	17.4	0.2	0	0	0	0	6.4	32.3	0	0	

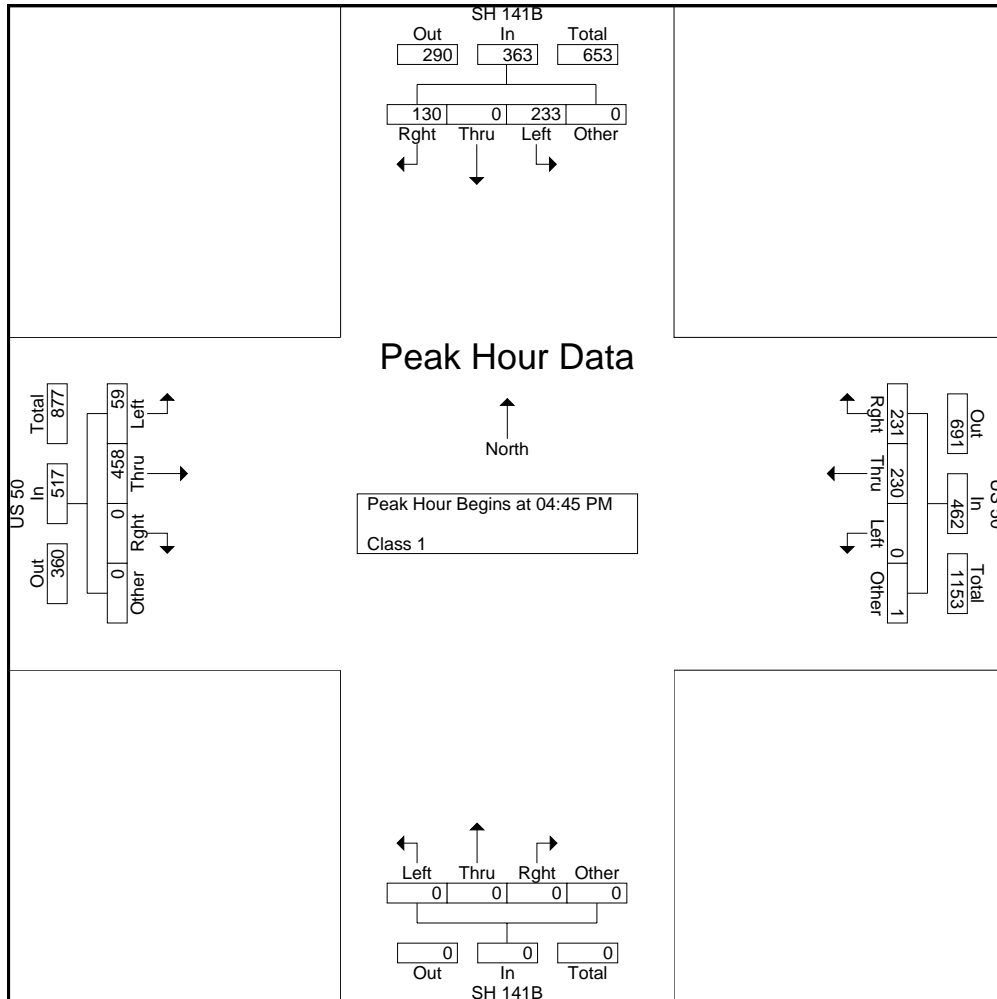




All Traffic Data Services, Inc.
 9660 W. 44th Ave.
 Wheat Ridge, CO 80033

File Name : #35 SH 141B & US 50 PM
 Site Code : 00000000
 Start Date : 10/18/2007
 Page No : 2

Start Time	SH 141B Southbound					US 50 Westbound					SH 141B Northbound					US 50 Eastbound					Int. Total
	Left	Thru	Right	Other	App. Total	Left	Thru	Right	Other	App. Total	Left	Thru	Right	Other	App. Total	Left	Thru	Right	Other	App. Total	
Peak Hour Analysis From 04:00 PM to 05:45 PM - Peak 1 of 1																					
Peak Hour for Entire Intersection Begins at 04:45 PM																					
04:45 PM	58	0	29	0	87	0	54	51	1	106	0	0	0	0	0	18	125	0	0	143	336
05:00 PM	59	0	36	0	95	0	52	63	0	115	0	0	0	0	0	15	100	0	0	115	325
05:15 PM	58	0	38	0	96	0	63	61	0	124	0	0	0	0	0	10	116	0	0	126	346
05:30 PM	58	0	27	0	85	0	61	56	0	117	0	0	0	0	0	16	117	0	0	133	335
Total Volume	233	0	130	0	363	0	230	231	1	462	0	0	0	0	0	59	458	0	0	517	1342
% App. Total	64.2	0	35.8	0		0	49.8	50	0.2		0	0	0	0		11.4	88.6	0	0		
PHF	.987	.000	.855	.000	.945	.000	.913	.917	.250	.931	.000	.000	.000	.000	.000	.819	.916	.000	.000	.904	.970



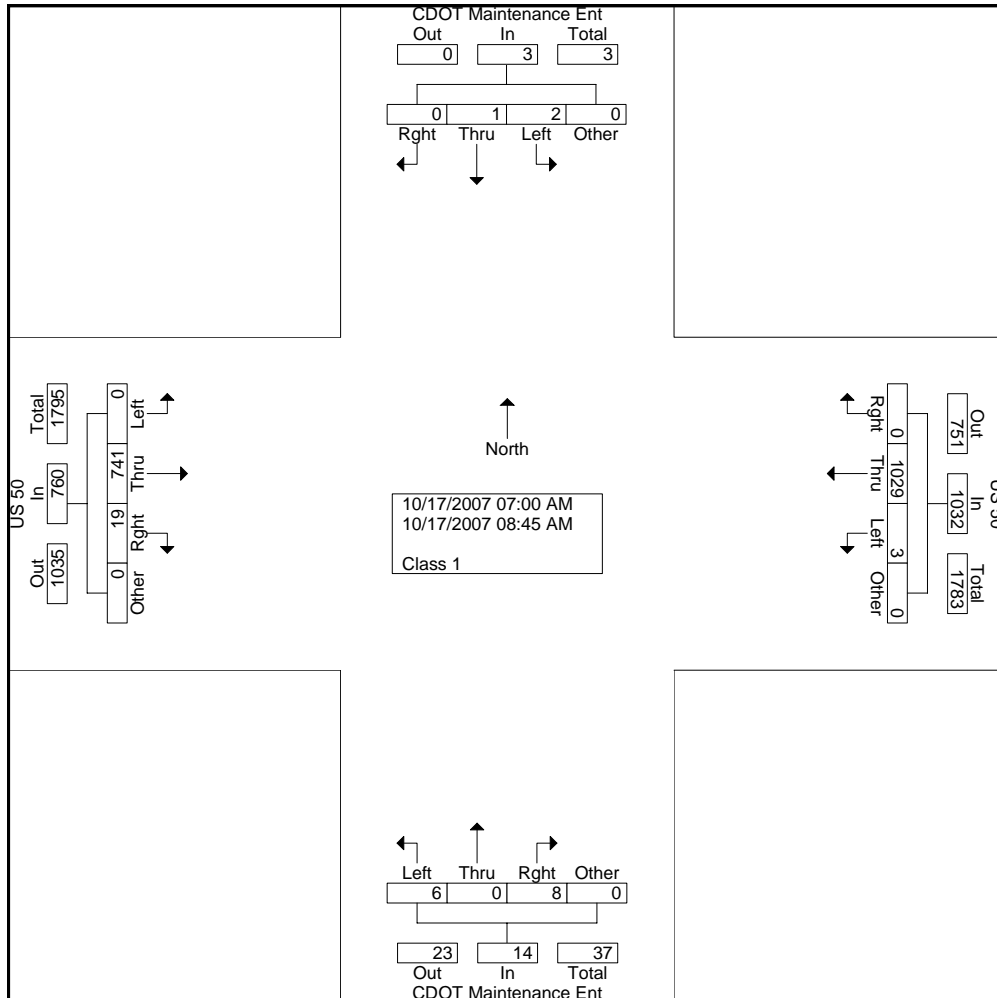


All Traffic Data Services, Inc.
 9660 W. 44th Ave.
 Wheat Ridge, CO 80033

File Name : #36 CDOT & US 50 AM
 Site Code : 00000000
 Start Date : 10/17/2007
 Page No : 1

Groups Printed- Class 1

Start Time	CDOT Maintenance Ent Southbound				US 50 Westbound				CDOT Maintenance Ent Northbound				US 50 Eastbound				Int. Total	
	Left	Thru	Rght	Other	Left	Thru	Rght	Other	Left	Thru	Rght	Other	Left	Thru	Rght	Other		
07:00 AM	0	1	0	0	0	148	0	0	0	0	0	1	0	0	90	2	0	242
07:15 AM	1	0	0	0	0	156	0	0	0	0	2	0	0	92	2	0	253	
07:30 AM	0	0	0	0	0	168	0	0	0	0	0	0	0	95	2	0	265	
07:45 AM	0	0	0	0	0	154	0	0	0	0	2	0	0	99	7	0	262	
Total	1	1	0	0	0	626	0	0	0	0	5	0	0	376	13	0	1022	
08:00 AM	1	0	0	0	3	106	0	0	4	0	0	0	0	85	3	0	202	
08:15 AM	0	0	0	0	0	95	0	0	0	0	1	0	0	92	1	0	189	
08:30 AM	0	0	0	0	0	117	0	0	1	0	0	0	0	84	0	0	202	
08:45 AM	0	0	0	0	0	85	0	0	1	0	2	0	0	104	2	0	194	
Total	1	0	0	0	3	403	0	0	6	0	3	0	0	365	6	0	787	
Grand Total	2	1	0	0	3	1029	0	0	6	0	8	0	0	741	19	0	1809	
Apprch %	66.7	33.3	0	0	0.3	99.7	0	0	42.9	0	57.1	0	0	97.5	2.5	0		
Total %	0.1	0.1	0	0	0.2	56.9	0	0	0.3	0	0.4	0	0	41	1.1	0		

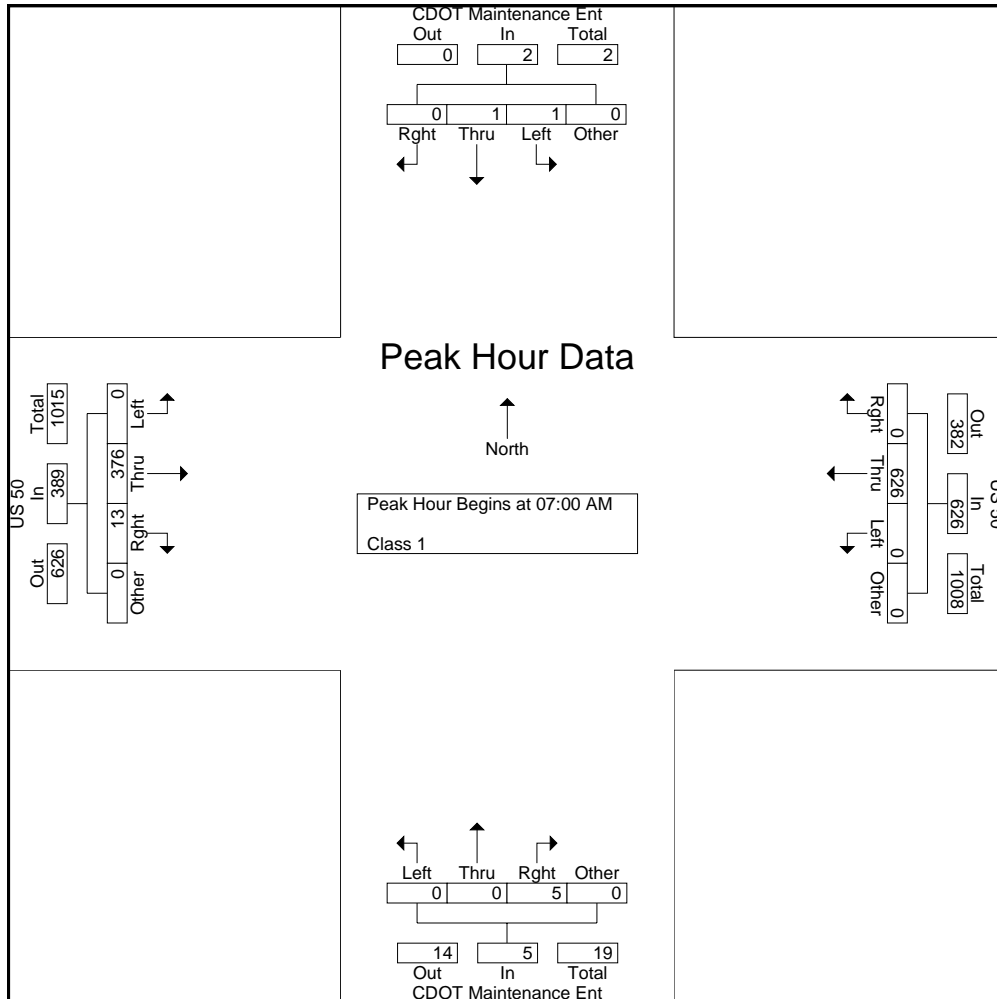




All Traffic Data Services, Inc.
 9660 W. 44th Ave.
 Wheat Ridge, CO 80033

File Name : #36 CDOT & US 50 AM
 Site Code : 00000000
 Start Date : 10/17/2007
 Page No : 2

Start Time	CDOT Maintenance Ent Southbound					US 50 Westbound					CDOT Maintenance Ent Northbound					US 50 Eastbound					Int. Total
	Left	Thru	Right	Other	App. Total	Left	Thru	Right	Other	App. Total	Left	Thru	Right	Other	App. Total	Left	Thru	Right	Other	App. Total	
Peak Hour Analysis From 07:00 AM to 08:45 AM - Peak 1 of 1																					
Peak Hour for Entire Intersection Begins at 07:00 AM																					
07:00 AM	0	1	0	0	1	0	148	0	0	148	0	0	1	0	1	0	90	2	0	92	242
07:15 AM	1	0	0	0	1	0	156	0	0	156	0	0	2	0	2	0	92	2	0	94	253
07:30 AM	0	0	0	0	0	0	168	0	0	168	0	0	0	0	0	0	95	2	0	97	265
07:45 AM	0	0	0	0	0	0	154	0	0	154	0	0	2	0	2	0	99	7	0	106	262
Total Volume	1	1	0	0	2	0	626	0	0	626	0	0	5	0	5	0	376	13	0	389	1022
% App. Total	50	50	0	0		0	100	0	0		0	0	100	0		0	96.7	3.3	0		
PHF	.250	.250	.000	.000	.500	.000	.932	.000	.000	.932	.000	.000	.625	.000	.625	.000	.949	.464	.000	.917	.964



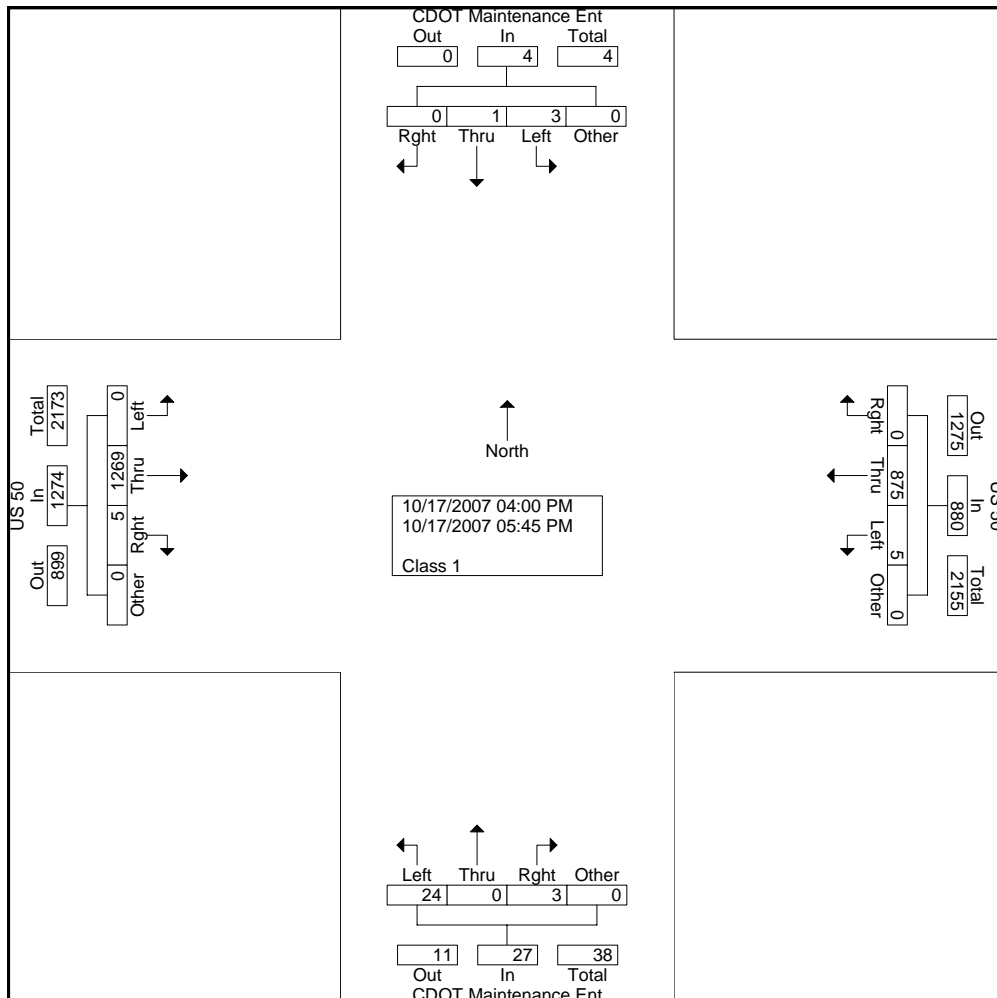


All Traffic Data Services, Inc.
 9660 W. 44th Ave.
 Wheat Ridge, CO 80033

File Name : #36 CDOT & US 50 PM
 Site Code : 00000000
 Start Date : 10/17/2007
 Page No : 1

Groups Printed- Class 1

Start Time	CDOT Maintenance Ent Southbound				US 50 Westbound				CDOT Maintenance Ent Northbound				US 50 Eastbound				Int. Total
	Left	Thru	Rght	Other	Left	Thru	Rght	Other	Left	Thru	Rght	Other	Left	Thru	Rght	Other	
04:00 PM	0	1	0	0	1	112	0	0	0	0	0	0	0	158	0	0	272
04:15 PM	0	0	0	0	0	139	0	0	2	0	0	0	0	127	0	0	268
04:30 PM	1	0	0	0	1	113	0	0	3	0	1	0	0	141	1	0	261
04:45 PM	0	0	0	0	0	100	0	0	6	0	2	0	0	166	1	0	275
Total	1	1	0	0	2	464	0	0	11	0	3	0	0	592	2	0	1076
05:00 PM	0	0	0	0	1	97	0	0	4	0	0	0	0	126	1	0	229
05:15 PM	0	0	0	0	1	99	0	0	1	0	0	0	0	200	1	0	302
05:30 PM	1	0	0	0	1	119	0	0	6	0	0	0	0	181	0	0	308
05:45 PM	1	0	0	0	0	96	0	0	2	0	0	0	0	170	1	0	270
Total	2	0	0	0	3	411	0	0	13	0	0	0	0	677	3	0	1109
Grand Total	3	1	0	0	5	875	0	0	24	0	3	0	0	1269	5	0	2185
Apprch %	75	25	0	0	0.6	99.4	0	0	88.9	0	11.1	0	0	99.6	0.4	0	
Total %	0.1	0	0	0	0.2	40	0	0	1.1	0	0.1	0	0	58.1	0.2	0	

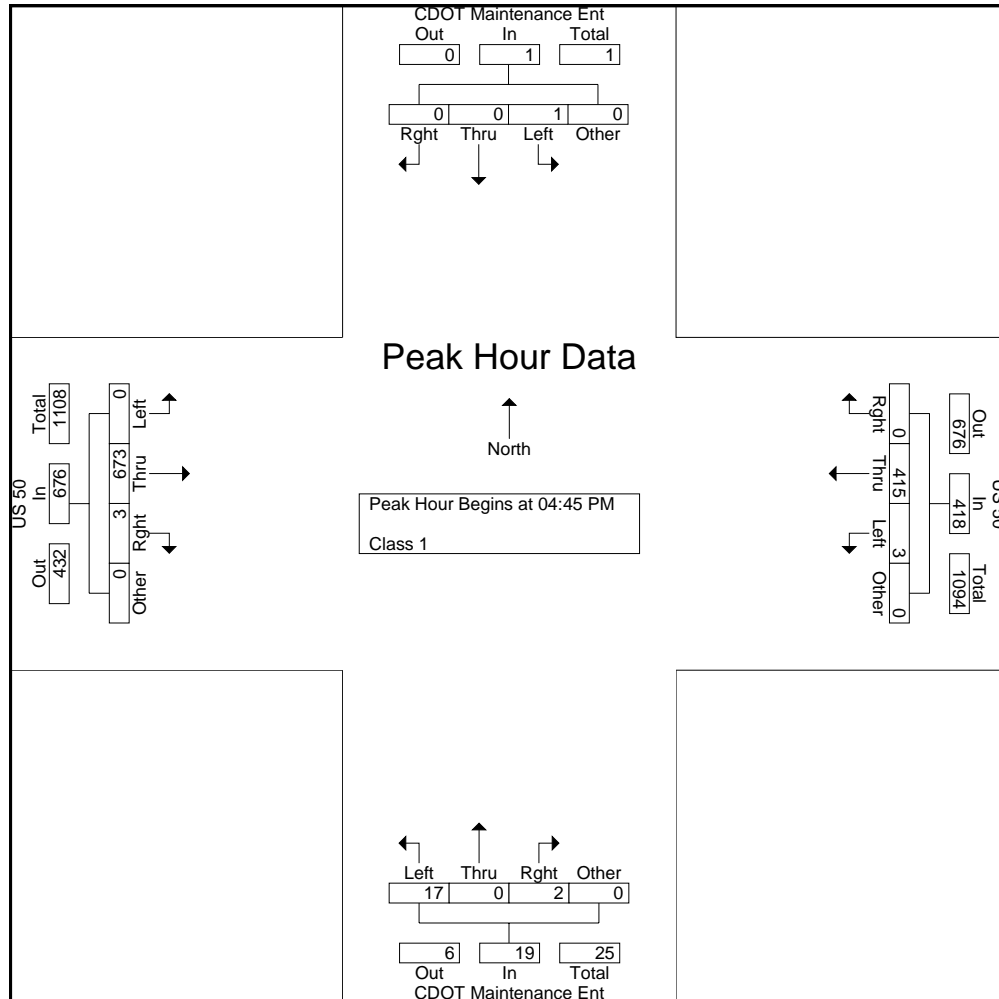




All Traffic Data Services, Inc.
 9660 W. 44th Ave.
 Wheat Ridge, CO 80033

File Name : #36 CDOT & US 50 PM
 Site Code : 00000000
 Start Date : 10/17/2007
 Page No : 2

Start Time	CDOT Maintenance Ent Southbound					US 50 Westbound					CDOT Maintenance Ent Northbound					US 50 Eastbound					Int. Total
	Left	Thru	Right	Other	App. Total	Left	Thru	Right	Other	App. Total	Left	Thru	Right	Other	App. Total	Left	Thru	Right	Other	App. Total	
Peak Hour Analysis From 04:00 PM to 05:45 PM - Peak 1 of 1																					
Peak Hour for Entire Intersection Begins at 04:45 PM																					
04:45 PM	0	0	0	0	0	0	100	0	0	100	6	0	2	0	8	0	166	1	0	167	275
05:00 PM	0	0	0	0	0	1	97	0	0	98	4	0	0	0	4	0	126	1	0	127	229
05:15 PM	0	0	0	0	0	1	99	0	0	100	1	0	0	0	1	0	200	1	0	201	302
05:30 PM	1	0	0	0	1	1	119	0	0	120	6	0	0	0	6	0	181	0	0	181	308
Total Volume	1	0	0	0	1	3	415	0	0	418	17	0	2	0	19	0	673	3	0	676	1114
% App. Total	100	0	0	0		0.7	99.3	0	0		89.5	0	10.5	0		0	99.6	0.4	0		
PHF	.250	.000	.000	.000	.250	.750	.872	.000	.000	.871	.708	.000	.250	.000	.594	.000	.841	.750	.000	.841	.904



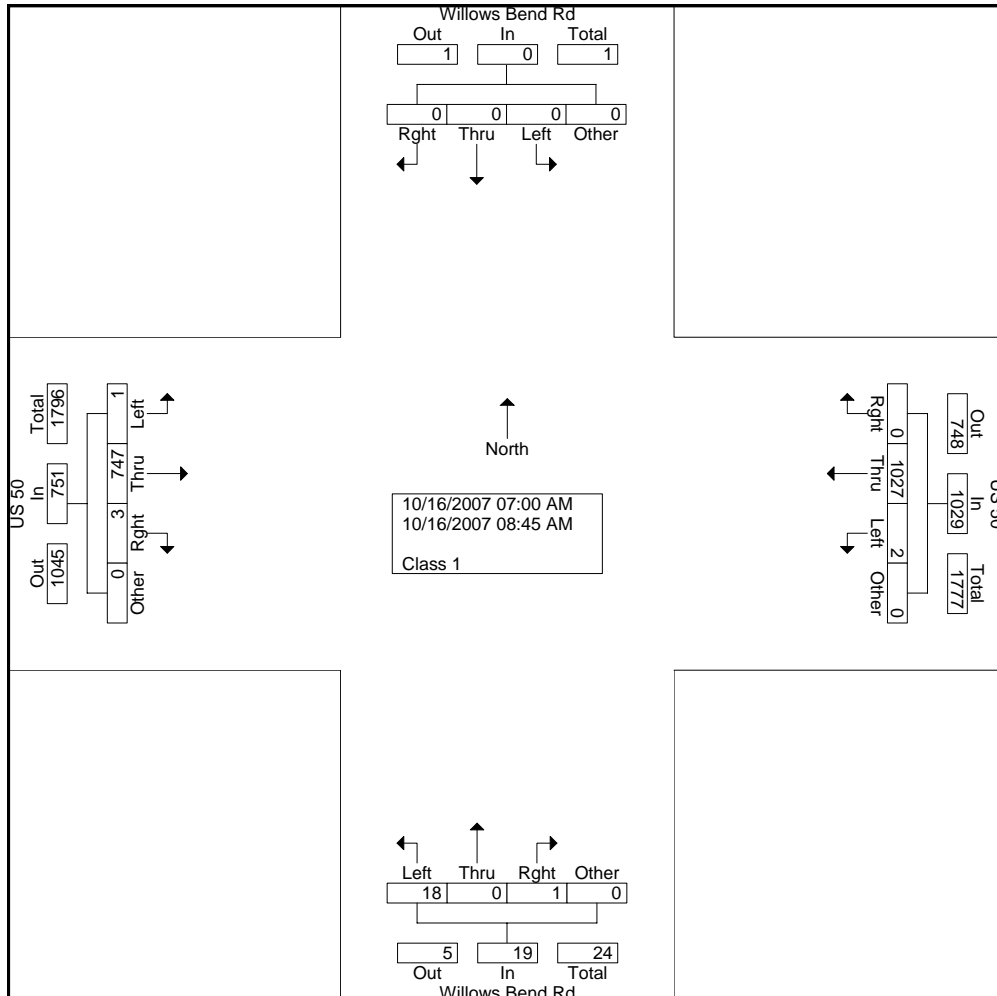


All Traffic Data Services, Inc.
 9660 W. 44th Ave.
 Wheat Ridge, CO 80033

File Name : #37 Willows Bend & US 50 AM
 Site Code : 00000000
 Start Date : 10/16/2007
 Page No : 1

Groups Printed- Class 1

Start Time	Willows Bend Rd Southbound				US 50 Westbound				Willows Bend Rd Northbound				US 50 Eastbound				Int. Total
	Left	Thru	Right	Other	Left	Thru	Right	Other	Left	Thru	Right	Other	Left	Thru	Right	Other	
07:00 AM	0	0	0	0	0	128	0	0	4	0	0	0	0	74	0	0	206
07:15 AM	0	0	0	0	0	166	0	0	1	0	1	0	0	103	0	0	271
07:30 AM	0	0	0	0	0	193	0	0	5	0	0	0	0	98	0	0	296
07:45 AM	0	0	0	0	1	135	0	0	2	0	0	0	0	92	0	0	230
Total	0	0	0	0	1	622	0	0	12	0	1	0	0	367	0	0	1003
08:00 AM	0	0	0	0	0	106	0	0	2	0	0	0	0	83	0	0	191
08:15 AM	0	0	0	0	1	85	0	0	1	0	0	0	0	90	2	0	179
08:30 AM	0	0	0	0	0	123	0	0	1	0	0	0	0	85	1	0	210
08:45 AM	0	0	0	0	0	91	0	0	2	0	0	0	1	122	0	0	216
Total	0	0	0	0	1	405	0	0	6	0	0	0	1	380	3	0	796
Grand Total	0	0	0	0	2	1027	0	0	18	0	1	0	1	747	3	0	1799
Apprch %	0	0	0	0	0.2	99.8	0	0	94.7	0	5.3	0	0.1	99.5	0.4	0	
Total %	0	0	0	0	0.1	57.1	0	0	1	0	0.1	0	0.1	41.5	0.2	0	

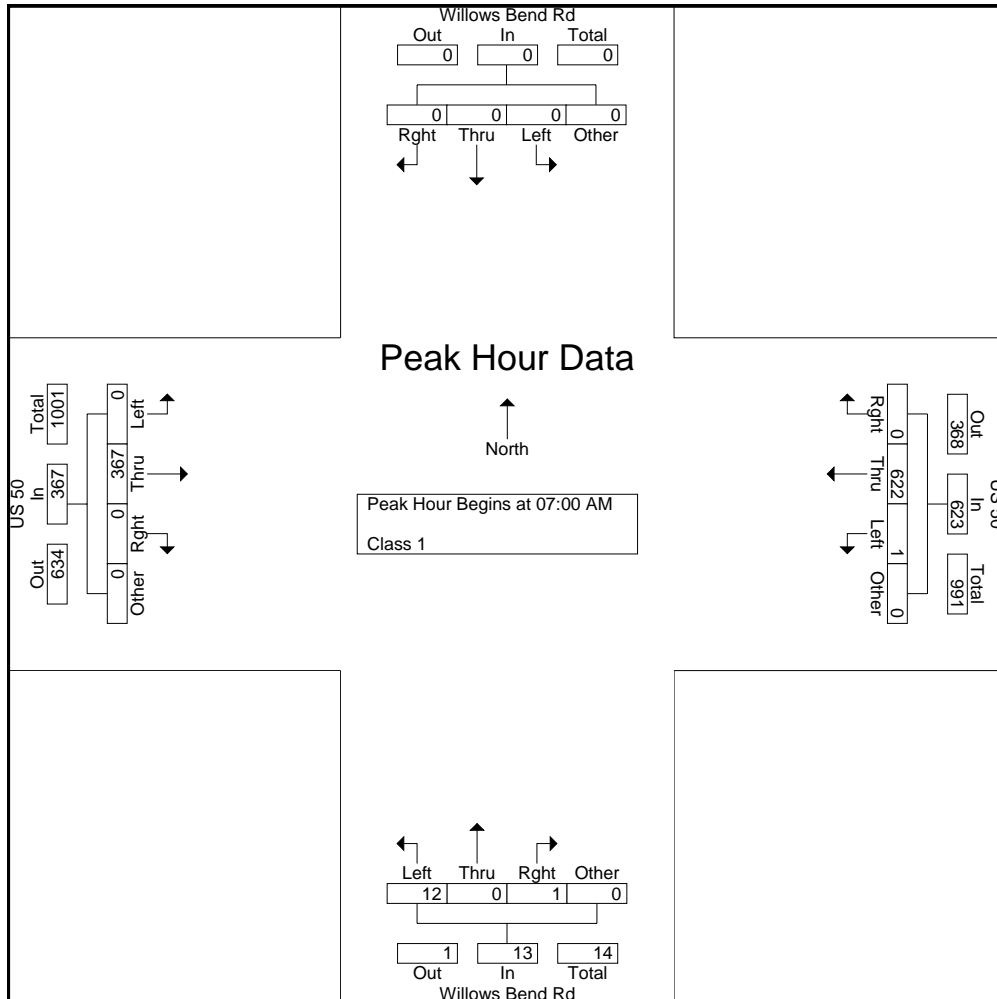




All Traffic Data Services, Inc.
 9660 W. 44th Ave.
 Wheat Ridge, CO 80033

File Name : #37 Willows Bend & US 50 AM
 Site Code : 00000000
 Start Date : 10/16/2007
 Page No : 2

Start Time	Willows Bend Rd Southbound					US 50 Westbound					Willows Bend Rd Northbound					US 50 Eastbound					Int. Total
	Left	Thru	Right	Other	App. Total	Left	Thru	Right	Other	App. Total	Left	Thru	Right	Other	App. Total	Left	Thru	Right	Other	App. Total	
Peak Hour Analysis From 07:00 AM to 08:45 AM - Peak 1 of 1																					
Peak Hour for Entire Intersection Begins at 07:00 AM																					
07:00 AM	0	0	0	0	0	0	128	0	0	128	4	0	0	0	4	0	74	0	0	74	206
07:15 AM	0	0	0	0	0	0	166	0	0	166	1	0	1	0	2	0	103	0	0	103	271
07:30 AM	0	0	0	0	0	0	193	0	0	193	5	0	0	0	5	0	98	0	0	98	296
07:45 AM	0	0	0	0	0	1	135	0	0	136	2	0	0	0	2	0	92	0	0	92	230
Total Volume	0	0	0	0	0	1	622	0	0	623	12	0	1	0	13	0	367	0	0	367	1003
% App. Total	0	0	0	0	0	0.2	99.8	0	0		92.3	0	7.7	0		0	100	0	0		
PHF	.000	.000	.000	.000	.000	.250	.806	.000	.000	.807	.600	.000	.250	.000	.650	.000	.891	.000	.000	.891	.847



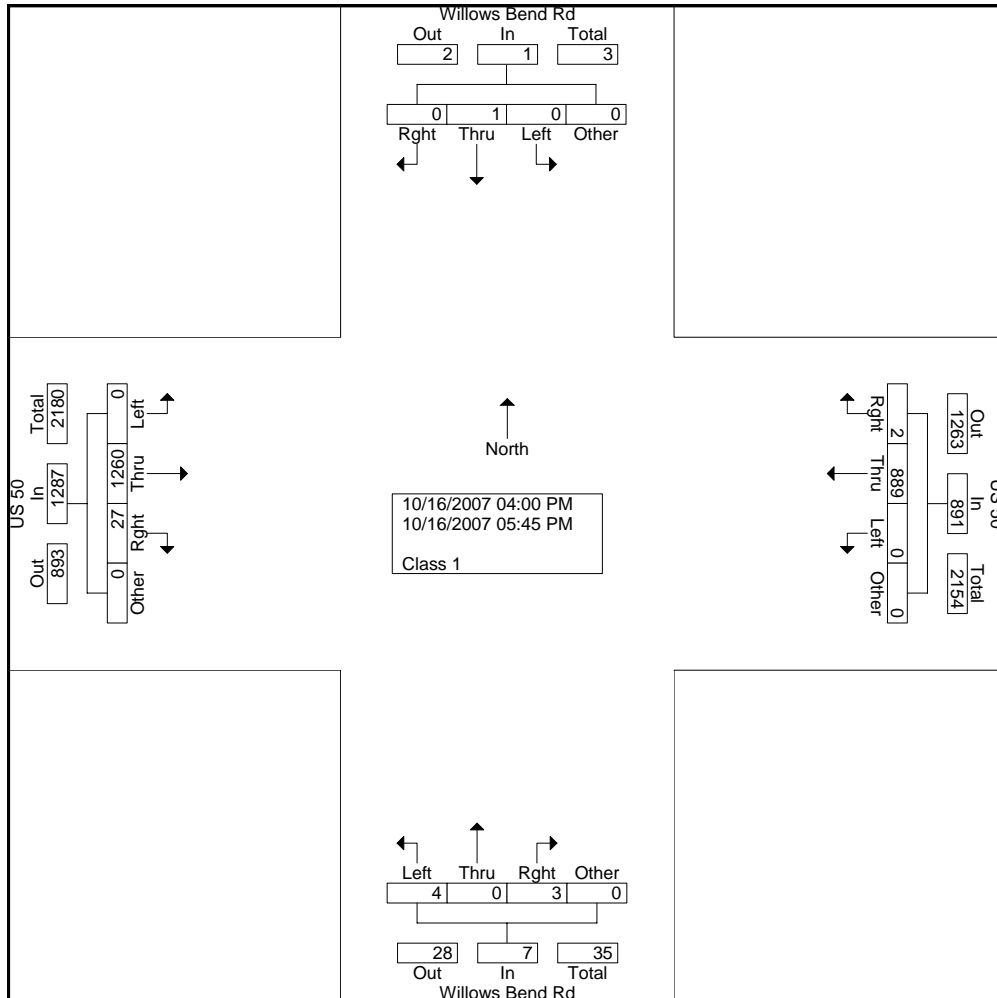


All Traffic Data Services, Inc.
 9660 W. 44th Ave.
 Wheat Ridge, CO 80033

File Name : #37 Willows Bend & US 50 PM
 Site Code : 00000000
 Start Date : 10/16/2007
 Page No : 1

Groups Printed- Class 1

Start Time	Willows Bend Rd Southbound				US 50 Westbound				Willows Bend Rd Northbound				US 50 Eastbound				Int. Total
	Left	Thru	Right	Other	Left	Thru	Right	Other	Left	Thru	Right	Other	Left	Thru	Right	Other	
04:00 PM	0	1	0	0	0	110	0	0	0	0	0	0	0	156	2	0	269
04:15 PM	0	0	0	0	0	124	0	0	0	0	1	0	0	120	8	0	253
04:30 PM	0	0	0	0	0	98	0	0	0	0	0	0	0	140	4	0	242
04:45 PM	0	0	0	0	0	145	0	0	0	0	0	0	0	166	1	0	312
Total	0	1	0	0	0	477	0	0	0	0	1	0	0	582	15	0	1076
05:00 PM	0	0	0	0	0	87	1	0	1	0	1	0	0	126	3	0	219
05:15 PM	0	0	0	0	0	119	1	0	1	0	0	0	0	195	0	0	316
05:30 PM	0	0	0	0	0	113	0	0	1	0	0	0	0	185	4	0	303
05:45 PM	0	0	0	0	0	93	0	0	1	0	1	0	0	172	5	0	272
Total	0	0	0	0	0	412	2	0	4	0	2	0	0	678	12	0	1110
Grand Total	0	1	0	0	0	889	2	0	4	0	3	0	0	1260	27	0	2186
Apprch %	0	100	0	0	0	99.8	0.2	0	57.1	0	42.9	0	0	97.9	2.1	0	
Total %	0	0	0	0	0	40.7	0.1	0	0.2	0	0.1	0	0	57.6	1.2	0	

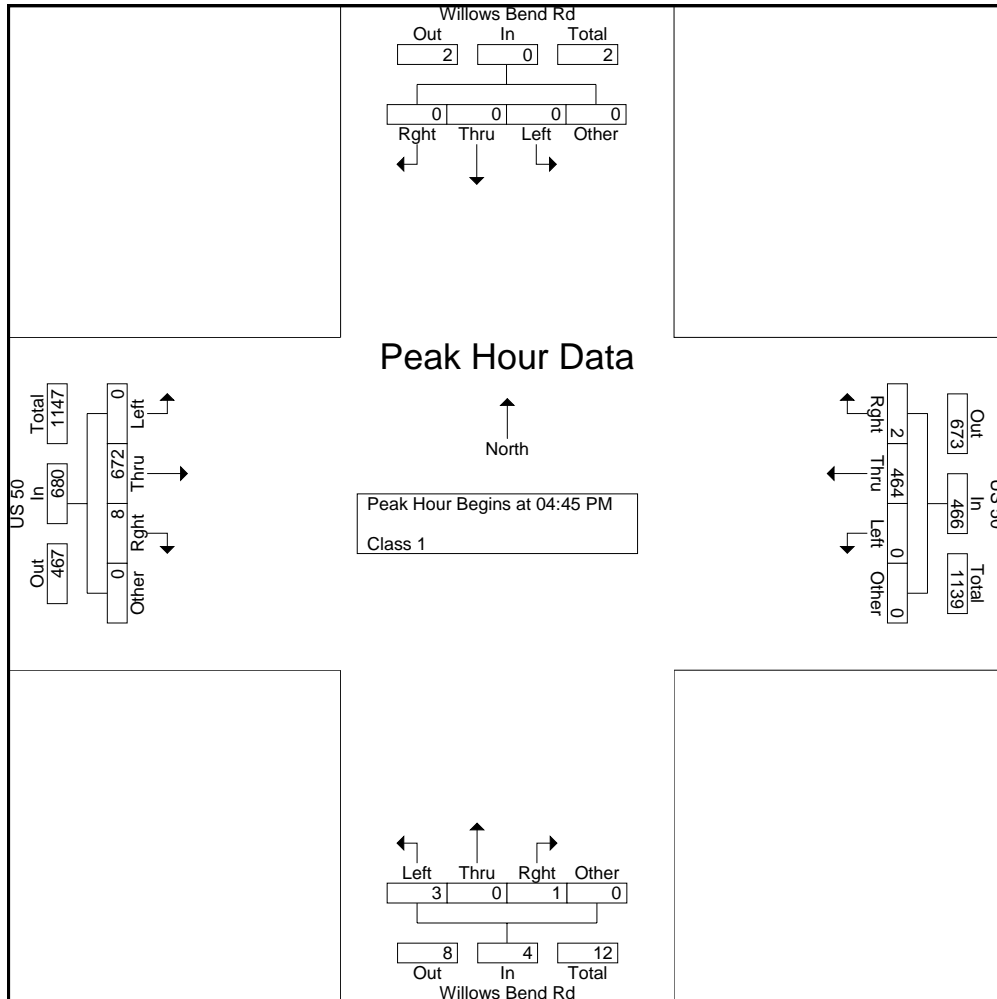




All Traffic Data Services, Inc.
 9660 W. 44th Ave.
 Wheat Ridge, CO 80033

File Name : #37 Willows Bend & US 50 PM
 Site Code : 00000000
 Start Date : 10/16/2007
 Page No : 2

Start Time	Willows Bend Rd Southbound					US 50 Westbound					Willows Bend Rd Northbound					US 50 Eastbound					Int. Total
	Left	Thru	Right	Other	App. Total	Left	Thru	Right	Other	App. Total	Left	Thru	Right	Other	App. Total	Left	Thru	Right	Other	App. Total	
Peak Hour Analysis From 04:00 PM to 05:45 PM - Peak 1 of 1																					
Peak Hour for Entire Intersection Begins at 04:45 PM																					
04:45 PM	0	0	0	0	0	0	145	0	0	145	0	0	0	0	0	0	166	1	0	167	312
05:00 PM	0	0	0	0	0	0	87	1	0	88	1	0	1	0	2	0	126	3	0	129	219
05:15 PM	0	0	0	0	0	0	119	1	0	120	1	0	0	0	1	0	195	0	0	195	316
05:30 PM	0	0	0	0	0	0	113	0	0	113	1	0	0	0	1	0	185	4	0	189	303
Total Volume	0	0	0	0	0	0	464	2	0	466	3	0	1	0	4	0	672	8	0	680	1150
% App. Total	0	0	0	0	0	0	99.6	0.4	0		75	0	25	0		0	98.8	1.2	0		
PHF	.000	.000	.000	.000	.000	.000	.800	.500	.000	.803	.750	.000	.250	.000	.500	.000	.862	.500	.000	.872	.910



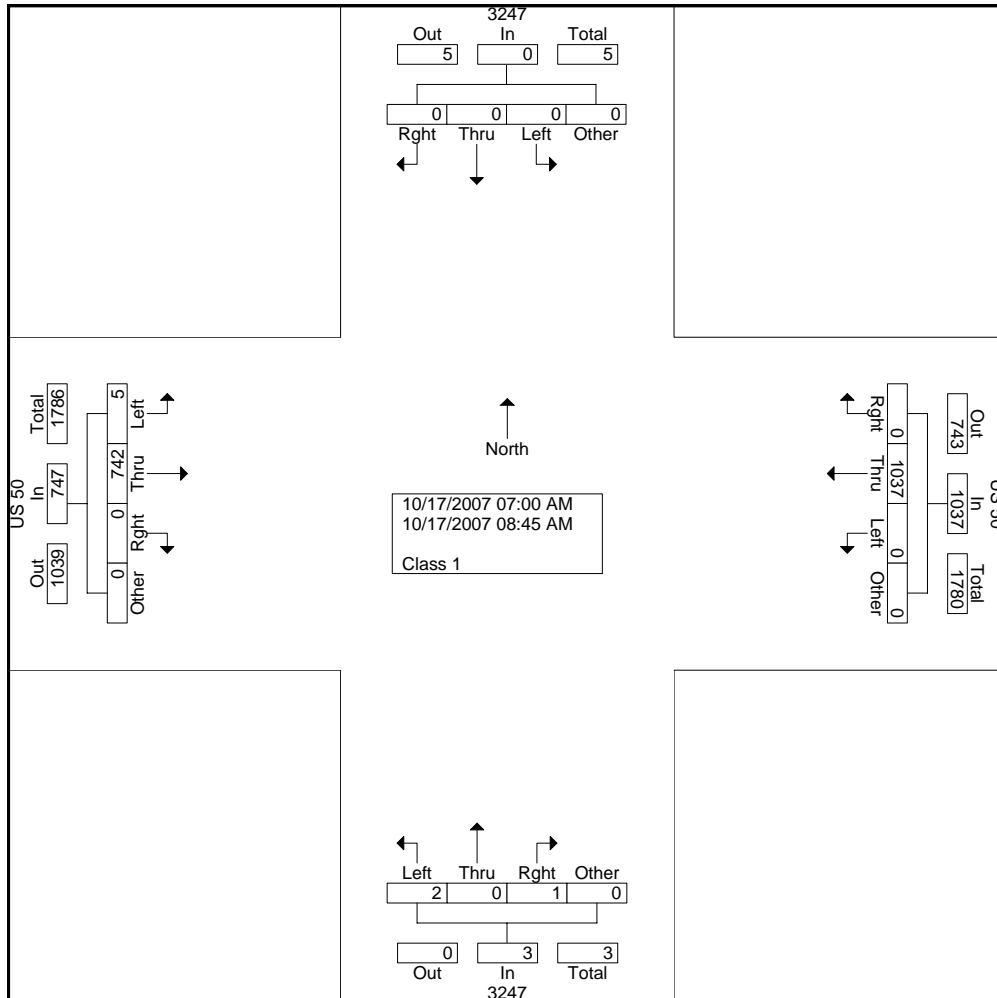


All Traffic Data Services, Inc.
 9660 W. 44th Ave.
 Wheat Ridge, CO 80033

File Name : #38 3247 & US 50 AM
 Site Code : 00000000
 Start Date : 10/17/2007
 Page No : 1

Groups Printed- Class 1

Start Time	3247 Southbound				US 50 Westbound				3247 Northbound				US 50 Eastbound				Int. Total
	Left	Thru	Right	Other	Left	Thru	Right	Other	Left	Thru	Right	Other	Left	Thru	Right	Other	
07:00 AM	0	0	0	0	0	125	0	0	0	0	0	0	0	74	0	0	199
07:15 AM	0	0	0	0	0	167	0	0	0	0	0	0	1	102	0	0	270
07:30 AM	0	0	0	0	0	195	0	0	1	0	0	0	2	96	0	0	294
07:45 AM	0	0	0	0	0	141	0	0	0	0	0	0	0	92	0	0	233
Total	0	0	0	0	0	628	0	0	1	0	0	0	3	364	0	0	996
08:00 AM	0	0	0	0	0	105	0	0	0	0	1	0	0	84	0	0	190
08:15 AM	0	0	0	0	0	90	0	0	0	0	0	0	1	88	0	0	179
08:30 AM	0	0	0	0	0	124	0	0	1	0	0	0	1	84	0	0	210
08:45 AM	0	0	0	0	0	90	0	0	0	0	0	0	0	122	0	0	212
Total	0	0	0	0	0	409	0	0	1	0	1	0	2	378	0	0	791
Grand Total	0	0	0	0	0	1037	0	0	2	0	1	0	5	742	0	0	1787
Apprch %	0	0	0	0	0	100	0	0	66.7	0	33.3	0	0.7	99.3	0	0	
Total %	0	0	0	0	0	58	0	0	0.1	0	0.1	0	0.3	41.5	0	0	

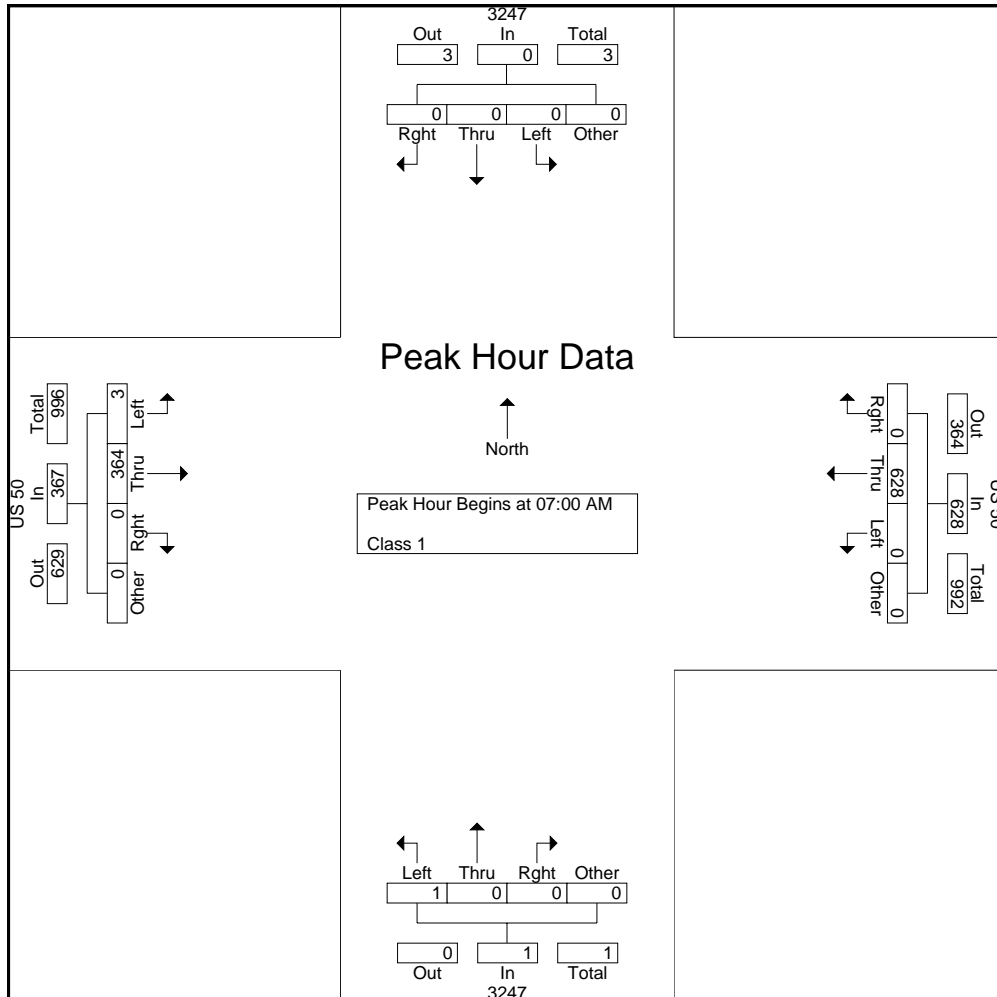




All Traffic Data Services, Inc.
 9660 W. 44th Ave.
 Wheat Ridge, CO 80033

File Name : #38 3247 & US 50 AM
 Site Code : 00000000
 Start Date : 10/17/2007
 Page No : 2

Start Time	3247 Southbound					US 50 Westbound					3247 Northbound					US 50 Eastbound					Int. Total
	Left	Thru	Right	Other	App. Total	Left	Thru	Right	Other	App. Total	Left	Thru	Right	Other	App. Total	Left	Thru	Right	Other	App. Total	
Peak Hour Analysis From 07:00 AM to 08:45 AM - Peak 1 of 1																					
Peak Hour for Entire Intersection Begins at 07:00 AM																					
07:00 AM	0	0	0	0	0	0	125	0	0	125	0	0	0	0	0	0	74	0	0	74	199
07:15 AM	0	0	0	0	0	0	167	0	0	167	0	0	0	0	0	1	102	0	0	103	270
07:30 AM	0	0	0	0	0	0	195	0	0	195	1	0	0	0	1	2	96	0	0	98	294
07:45 AM	0	0	0	0	0	0	141	0	0	141	0	0	0	0	0	0	92	0	0	92	233
Total Volume	0	0	0	0	0	0	628	0	0	628	1	0	0	0	1	3	364	0	0	367	996
% App. Total	0	0	0	0	0	0	100	0	0	100	100	0	0	0	100	0.8	99.2	0	0	100	
PHF	.000	.000	.000	.000	.000	.000	.805	.000	.000	.805	.250	.000	.000	.000	.250	.375	.892	.000	.000	.891	.847



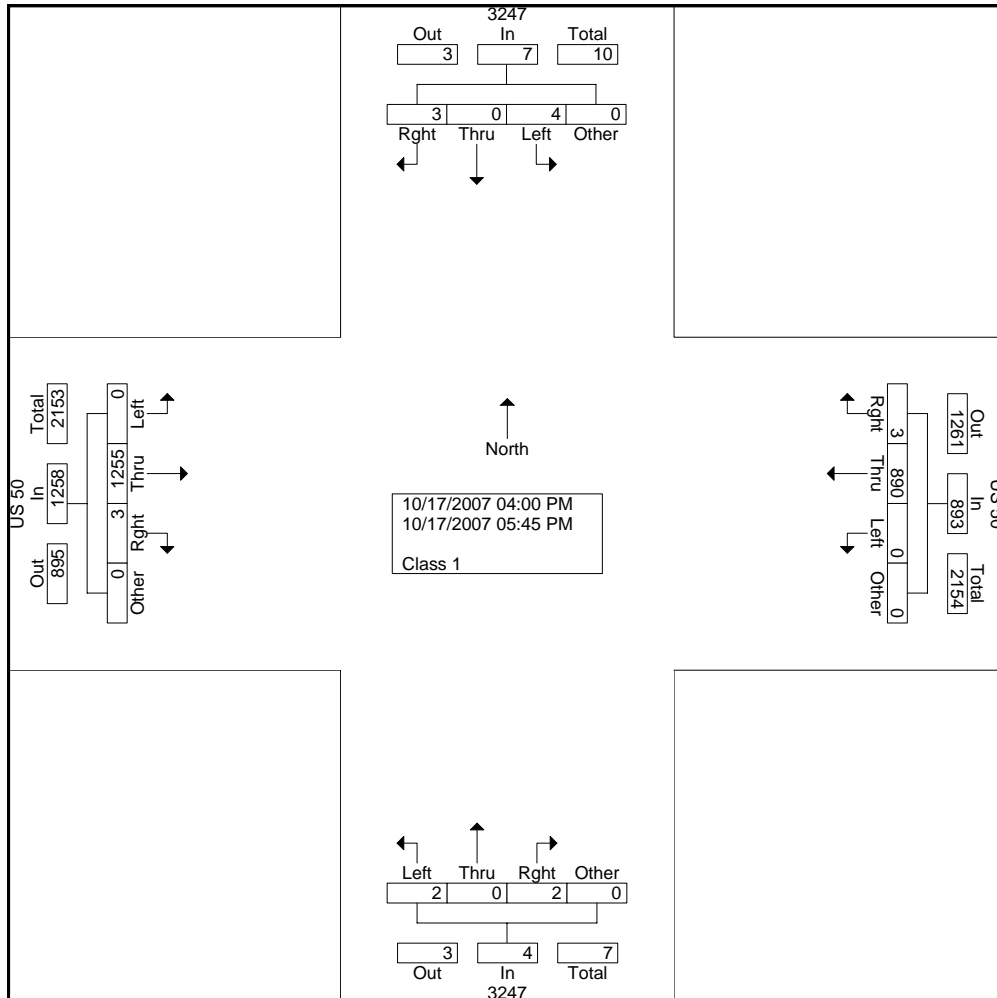


All Traffic Data Services, Inc.
 9660 W. 44th Ave.
 Wheat Ridge, CO 80033

File Name : #38 3247 & US 50 PM
 Site Code : 00000000
 Start Date : 10/17/2007
 Page No : 1

Groups Printed- Class 1

Start Time	3247 Southbound				US 50 Westbound				3247 Northbound				US 50 Eastbound				Int. Total
	Left	Thru	Right	Other	Left	Thru	Right	Other	Left	Thru	Right	Other	Left	Thru	Right	Other	
04:00 PM	0	0	0	0	0	112	0	0	0	0	0	0	0	155	0	0	267
04:15 PM	1	0	1	0	0	121	0	0	0	0	0	0	0	122	0	0	245
04:30 PM	1	0	0	0	0	102	1	0	1	0	0	0	0	138	1	0	244
04:45 PM	1	0	1	0	0	142	1	0	1	0	0	0	0	168	1	0	315
Total	3	0	2	0	0	477	2	0	2	0	0	0	0	583	2	0	1071
05:00 PM	0	0	0	0	0	90	1	0	0	0	1	0	0	130	0	0	222
05:15 PM	0	0	0	0	0	117	0	0	0	0	1	0	0	189	0	0	307
05:30 PM	1	0	1	0	0	112	0	0	0	0	0	0	0	183	1	0	298
05:45 PM	0	0	0	0	0	94	0	0	0	0	0	0	0	170	0	0	264
Total	1	0	1	0	0	413	1	0	0	0	2	0	0	672	1	0	1091
Grand Total	4	0	3	0	0	890	3	0	2	0	2	0	0	1255	3	0	2162
Apprch %	57.1	0	42.9	0	0	99.7	0.3	0	50	0	50	0	0	99.8	0.2	0	
Total %	0.2	0	0.1	0	0	41.2	0.1	0	0.1	0	0.1	0	0	58	0.1	0	

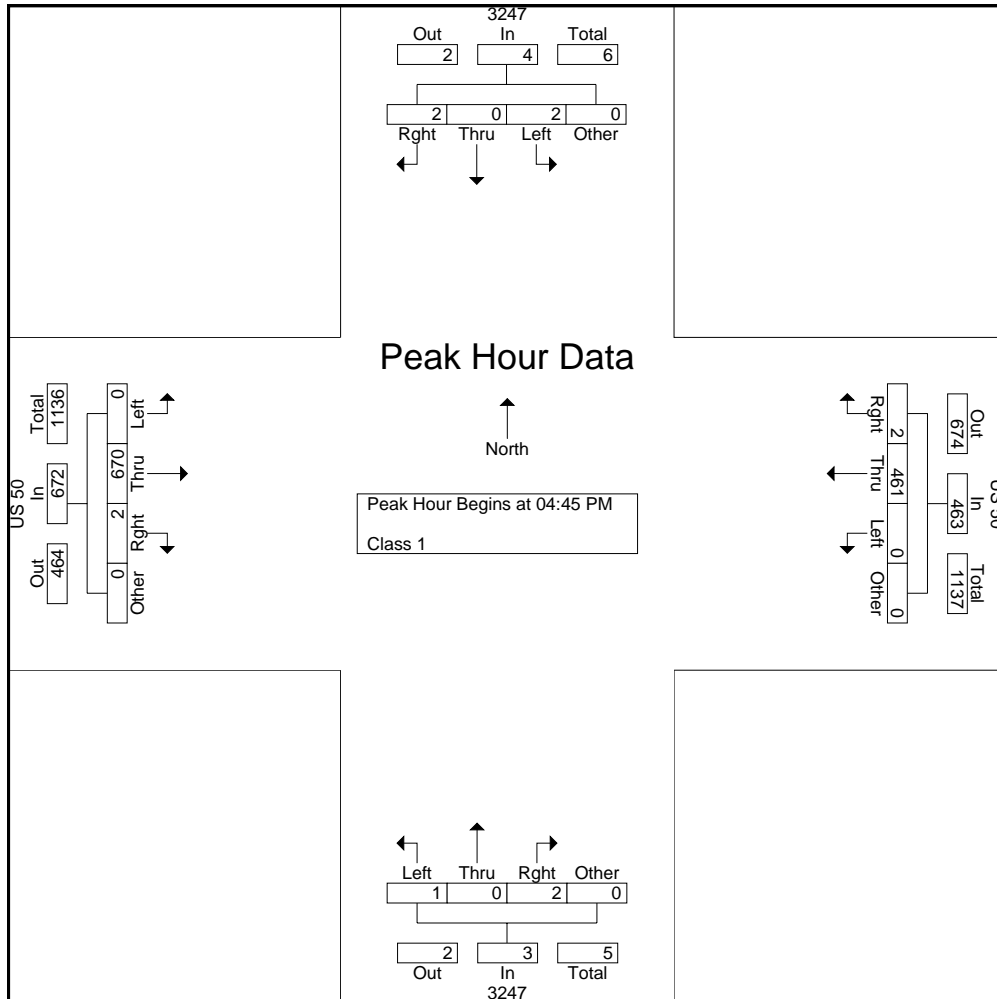




All Traffic Data Services, Inc.
 9660 W. 44th Ave.
 Wheat Ridge, CO 80033

File Name : #38 3247 & US 50 PM
 Site Code : 00000000
 Start Date : 10/17/2007
 Page No : 2

Start Time	3247 Southbound					US 50 Westbound					3247 Northbound					US 50 Eastbound					Int. Total
	Left	Thru	Right	Other	App. Total	Left	Thru	Right	Other	App. Total	Left	Thru	Right	Other	App. Total	Left	Thru	Right	Other	App. Total	
Peak Hour Analysis From 04:00 PM to 05:45 PM - Peak 1 of 1																					
Peak Hour for Entire Intersection Begins at 04:45 PM																					
04:45 PM	1	0	1	0	2	0	142	1	0	143	1	0	0	0	1	0	168	1	0	169	315
05:00 PM	0	0	0	0	0	0	90	1	0	91	0	0	1	0	1	0	130	0	0	130	222
05:15 PM	0	0	0	0	0	0	117	0	0	117	0	0	1	0	1	0	189	0	0	189	307
05:30 PM	1	0	1	0	2	0	112	0	0	112	0	0	0	0	0	0	183	1	0	184	298
Total Volume	2	0	2	0	4	0	461	2	0	463	1	0	2	0	3	0	670	2	0	672	1142
% App. Total	50	0	50	0		0	99.6	0.4	0		33.3	0	66.7	0		0	99.7	0.3	0		
PHF	.500	.000	.500	.000	.500	.000	.812	.500	.000	.809	.250	.000	.500	.000	.750	.000	.886	.500	.000	.889	.906



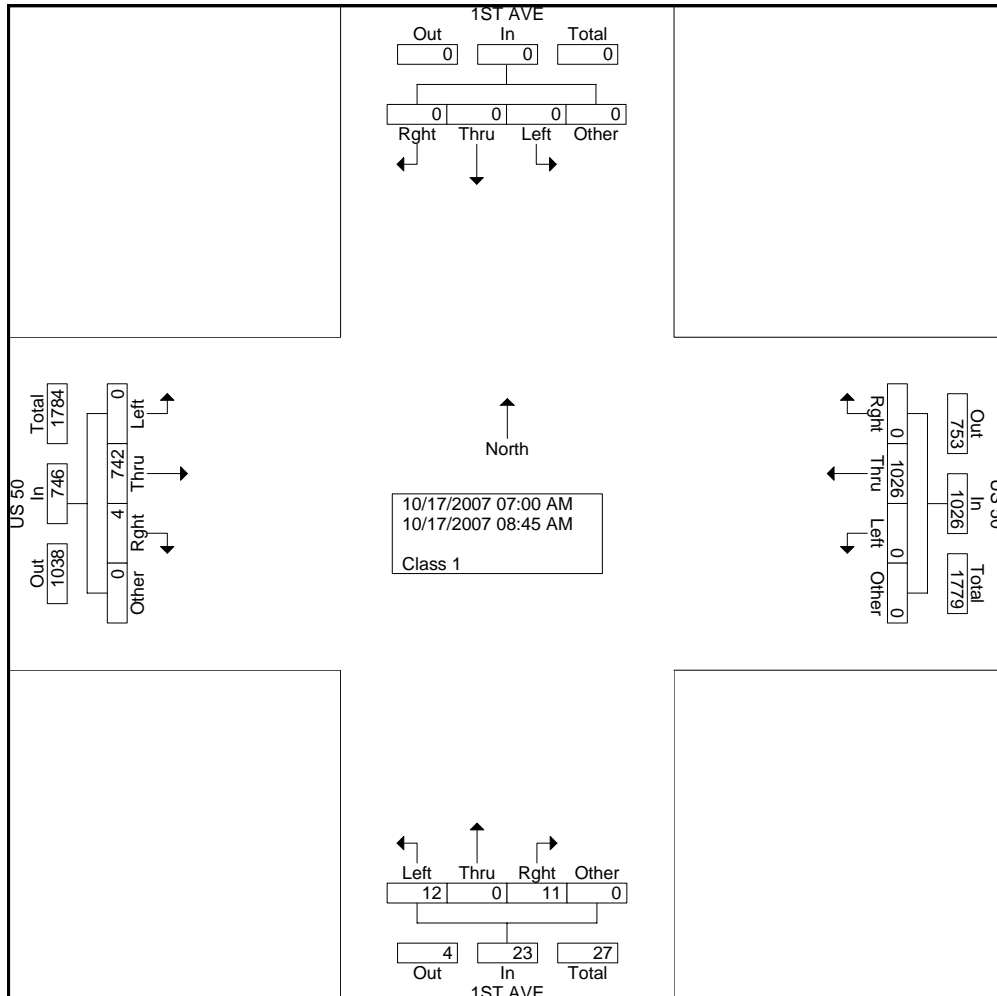


All Traffic Data Services, Inc.
 9660 W. 44th Ave.
 Wheat Ridge, CO 80033

File Name : #39 1ST & US 50 AM
 Site Code : 00000000
 Start Date : 10/17/2007
 Page No : 1

Groups Printed- Class 1

Start Time	1ST AVE Southbound				US 50 Westbound				1ST AVE Northbound				US 50 Eastbound				Int. Total
	Left	Thru	Rght	Other	Left	Thru	Rght	Other	Left	Thru	Rght	Other	Left	Thru	Rght	Other	
07:00 AM	0	0	0	0	0	123	0	0	2	0	1	0	0	74	1	0	201
07:15 AM	0	0	0	0	0	165	0	0	2	0	2	0	0	102	1	0	272
07:30 AM	0	0	0	0	0	194	0	0	1	0	2	0	0	96	0	0	293
07:45 AM	0	0	0	0	0	140	0	0	1	0	2	0	0	92	0	0	235
Total	0	0	0	0	0	622	0	0	6	0	7	0	0	364	2	0	1001
08:00 AM	0	0	0	0	0	103	0	0	2	0	1	0	0	84	1	0	191
08:15 AM	0	0	0	0	0	92	0	0	2	0	1	0	0	88	1	0	184
08:30 AM	0	0	0	0	0	122	0	0	1	0	1	0	0	84	0	0	208
08:45 AM	0	0	0	0	0	87	0	0	1	0	1	0	0	122	0	0	211
Total	0	0	0	0	0	404	0	0	6	0	4	0	0	378	2	0	794
Grand Total	0	0	0	0	0	1026	0	0	12	0	11	0	0	742	4	0	1795
Apprch %	0	0	0	0	0	100	0	0	52.2	0	47.8	0	0	99.5	0.5	0	
Total %	0	0	0	0	0	57.2	0	0	0.7	0	0.6	0	0	41.3	0.2	0	

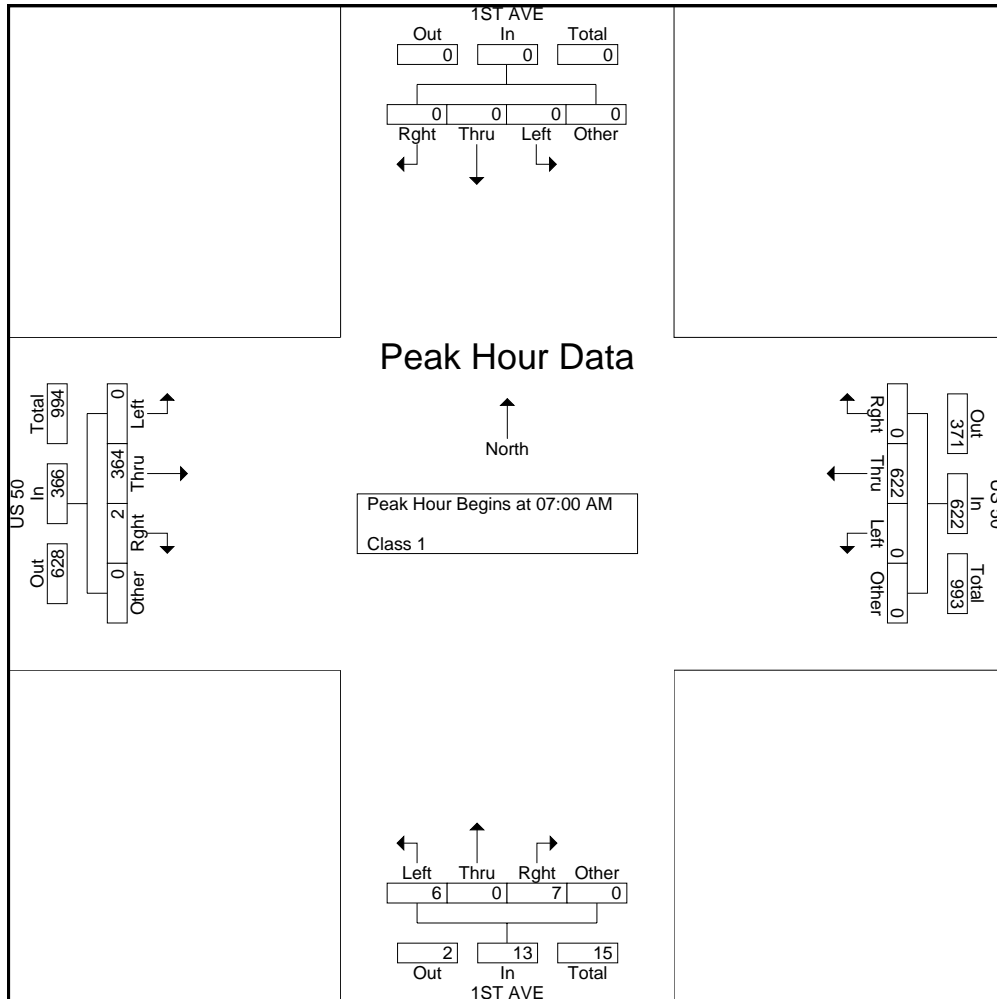




All Traffic Data Services, Inc.
 9660 W. 44th Ave.
 Wheat Ridge, CO 80033

File Name : #39 1ST & US 50 AM
 Site Code : 00000000
 Start Date : 10/17/2007
 Page No : 2

Start Time	1ST AVE Southbound					US 50 Westbound					1ST AVE Northbound					US 50 Eastbound					Int. Total
	Left	Thru	Right	Other	App. Total	Left	Thru	Right	Other	App. Total	Left	Thru	Right	Other	App. Total	Left	Thru	Right	Other	App. Total	
Peak Hour Analysis From 07:00 AM to 08:45 AM - Peak 1 of 1																					
Peak Hour for Entire Intersection Begins at 07:00 AM																					
07:00 AM	0	0	0	0	0	0	123	0	0	123	2	0	1	0	3	0	74	1	0	75	201
07:15 AM	0	0	0	0	0	0	165	0	0	165	2	0	2	0	4	0	102	1	0	103	272
07:30 AM	0	0	0	0	0	0	194	0	0	194	1	0	2	0	3	0	96	0	0	96	293
07:45 AM	0	0	0	0	0	0	140	0	0	140	1	0	2	0	3	0	92	0	0	92	235
Total Volume	0	0	0	0	0	0	622	0	0	622	6	0	7	0	13	0	364	2	0	366	1001
% App. Total	0	0	0	0	0	0	100	0	0	100	46.2	0	53.8	0	100	0	99.5	0.5	0	100	
PHF	.000	.000	.000	.000	.000	.000	.802	.000	.000	.802	.750	.000	.875	.000	.813	.000	.892	.500	.000	.888	.854



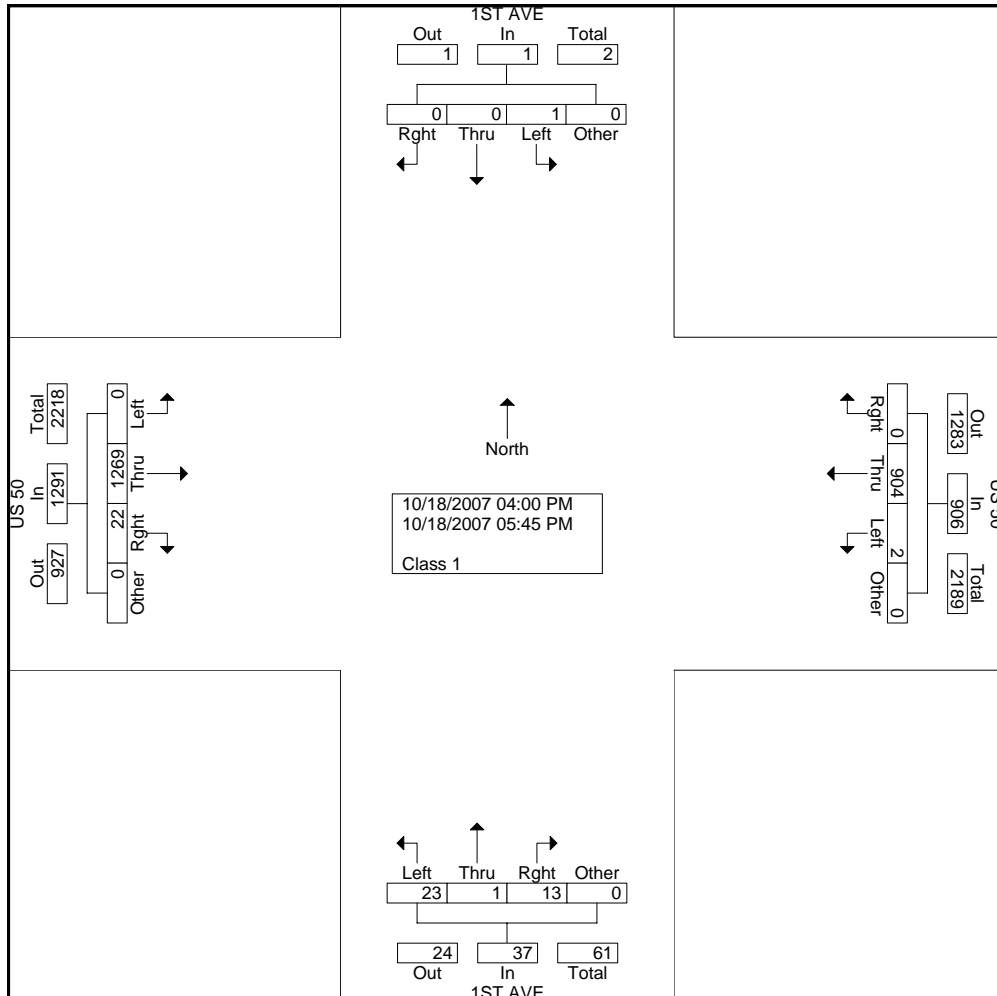


All Traffic Data Services, Inc.
 9660 W. 44th Ave.
 Wheat Ridge, CO 80033

File Name : #39 1ST & US 50 PM
 Site Code : 00000000
 Start Date : 10/18/2007
 Page No : 1

Groups Printed- Class 1

Start Time	1ST AVE Southbound				US 50 Westbound				1ST AVE Northbound				US 50 Eastbound				Int. Total
	Left	Thru	Right	Other	Left	Thru	Right	Other	Left	Thru	Right	Other	Left	Thru	Right	Other	
04:00 PM	0	0	0	0	1	110	0	0	5	1	3	0	0	144	6	0	270
04:15 PM	0	0	0	0	0	121	0	0	0	0	1	0	0	129	0	0	251
04:30 PM	1	0	0	0	0	105	0	0	3	0	1	0	0	143	3	0	256
04:45 PM	0	0	0	0	0	143	0	0	3	0	2	0	0	168	1	0	317
Total	1	0	0	0	1	479	0	0	11	1	7	0	0	584	10	0	1094
05:00 PM	0	0	0	0	0	111	0	0	2	0	1	0	0	154	2	0	270
05:15 PM	0	0	0	0	0	107	0	0	4	0	2	0	0	184	3	0	300
05:30 PM	0	0	0	0	1	109	0	0	3	0	2	0	0	179	3	0	297
05:45 PM	0	0	0	0	0	98	0	0	3	0	1	0	0	168	4	0	274
Total	0	0	0	0	1	425	0	0	12	0	6	0	0	685	12	0	1141
Grand Total	1	0	0	0	2	904	0	0	23	1	13	0	0	1269	22	0	2235
Apprch %	100	0	0	0	0.2	99.8	0	0	62.2	2.7	35.1	0	0	98.3	1.7	0	
Total %	0	0	0	0	0.1	40.4	0	0	1	0	0.6	0	0	56.8	1	0	

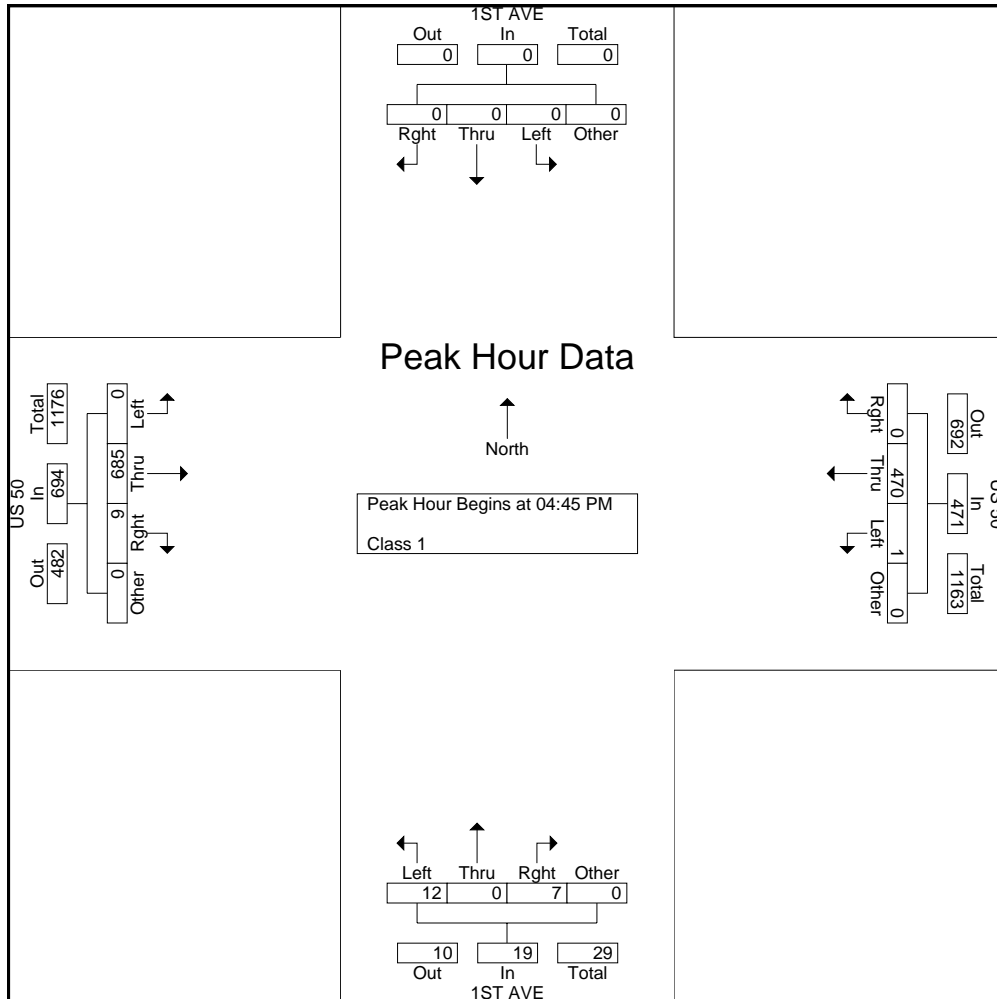




All Traffic Data Services, Inc.
 9660 W. 44th Ave.
 Wheat Ridge, CO 80033

File Name : #39 1ST & US 50 PM
 Site Code : 00000000
 Start Date : 10/18/2007
 Page No : 2

Start Time	1ST AVE Southbound					US 50 Westbound					1ST AVE Northbound					US 50 Eastbound					Int. Total
	Left	Thru	Right	Other	App. Total	Left	Thru	Right	Other	App. Total	Left	Thru	Right	Other	App. Total	Left	Thru	Right	Other	App. Total	
Peak Hour Analysis From 04:00 PM to 05:45 PM - Peak 1 of 1																					
Peak Hour for Entire Intersection Begins at 04:45 PM																					
04:45 PM	0	0	0	0	0	0	143	0	0	143	3	0	2	0	5	0	168	1	0	169	317
05:00 PM	0	0	0	0	0	0	111	0	0	111	2	0	1	0	3	0	154	2	0	156	270
05:15 PM	0	0	0	0	0	0	107	0	0	107	4	0	2	0	6	0	184	3	0	187	300
05:30 PM	0	0	0	0	0	1	109	0	0	110	3	0	2	0	5	0	179	3	0	182	297
Total Volume	0	0	0	0	0	1	470	0	0	471	12	0	7	0	19	0	685	9	0	694	1184
% App. Total	0	0	0	0	0	0.2	99.8	0	0		63.2	0	36.8	0		0	98.7	1.3	0		
PHF	.000	.000	.000	.000	.000	.250	.822	.000	.000	.823	.750	.000	.875	.000	.792	.000	.931	.750	.000	.928	.934



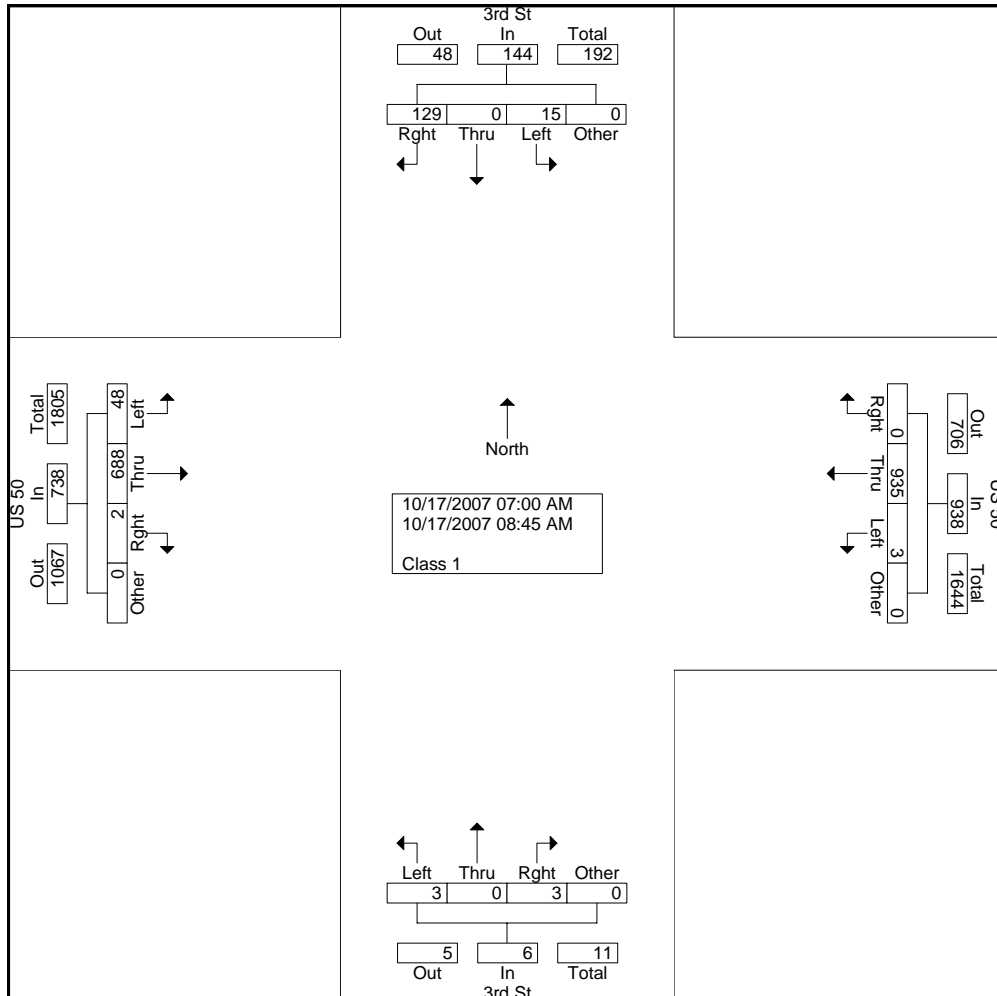


All Traffic Data Services, Inc.
 9660 W. 44th Ave.
 Wheat Ridge, CO 80033

File Name : #40 3rd St & US 50 AM
 Site Code : 00000000
 Start Date : 10/17/2007
 Page No : 1

Groups Printed- Class 1

Start Time	3rd St Southbound				US 50 Westbound				3rd St Northbound				US 50 Eastbound				Int. Total
	Left	Thru	Right	Other	Left	Thru	Right	Other	Left	Thru	Right	Other	Left	Thru	Right	Other	
07:00 AM	1	0	23	0	0	119	0	0	0	0	0	0	8	75	0	0	226
07:15 AM	1	0	25	0	0	123	0	0	0	0	0	0	6	86	0	0	241
07:30 AM	1	0	15	0	0	163	0	0	0	0	0	0	9	97	0	0	285
07:45 AM	2	0	20	0	1	122	0	0	0	0	0	0	7	83	0	0	235
Total	5	0	83	0	1	527	0	0	0	0	0	0	30	341	0	0	987
08:00 AM	4	0	9	0	1	99	0	0	0	0	0	0	7	83	0	0	203
08:15 AM	2	0	13	0	0	98	0	0	2	0	2	0	6	103	1	0	227
08:30 AM	2	0	17	0	1	112	0	0	1	0	0	0	3	81	1	0	218
08:45 AM	2	0	7	0	0	99	0	0	0	0	1	0	2	80	0	0	191
Total	10	0	46	0	2	408	0	0	3	0	3	0	18	347	2	0	839
Grand Total	15	0	129	0	3	935	0	0	3	0	3	0	48	688	2	0	1826
Apprch %	10.4	0	89.6	0	0.3	99.7	0	0	50	0	50	0	6.5	93.2	0.3	0	
Total %	0.8	0	7.1	0	0.2	51.2	0	0	0.2	0	0.2	0	2.6	37.7	0.1	0	

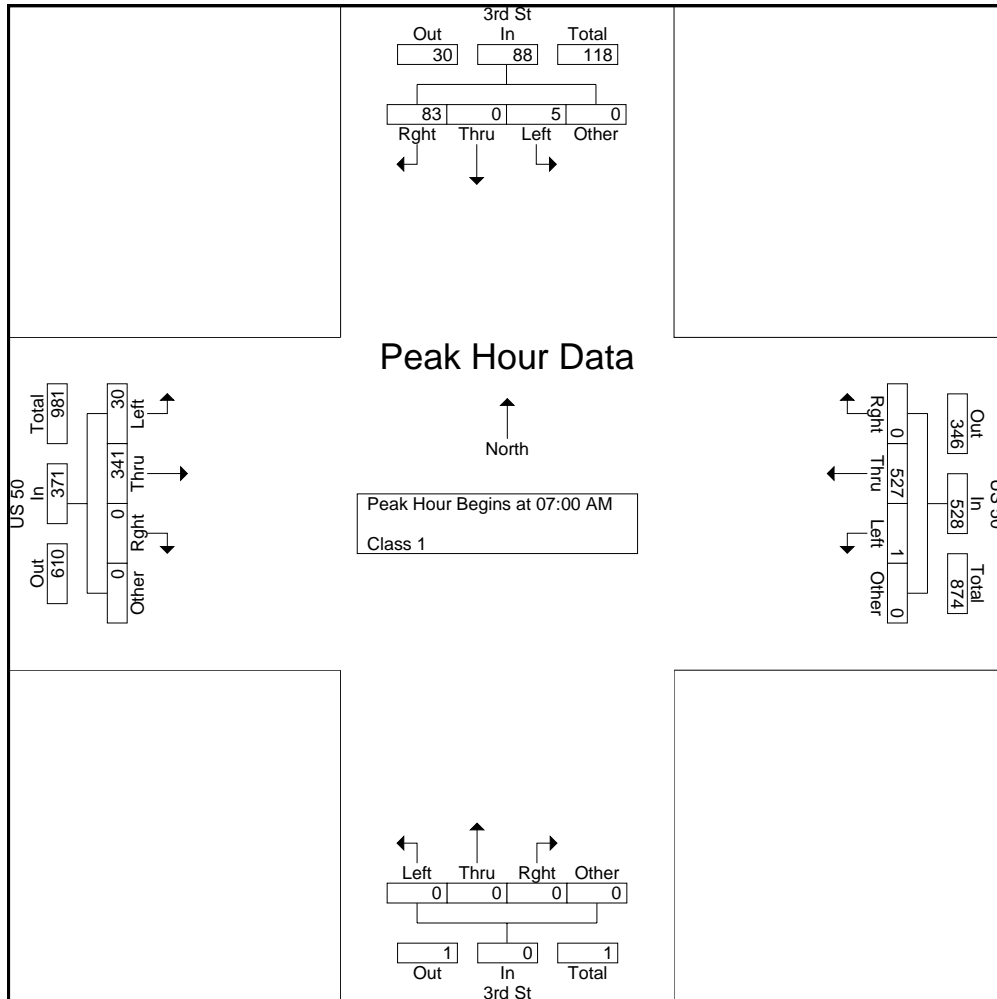




All Traffic Data Services, Inc.
 9660 W. 44th Ave.
 Wheat Ridge, CO 80033

File Name : #40 3rd St & US 50 AM
 Site Code : 00000000
 Start Date : 10/17/2007
 Page No : 2

Start Time	3rd St Southbound					US 50 Westbound					3rd St Northbound					US 50 Eastbound					Int. Total
	Left	Thru	Right	Other	App. Total	Left	Thru	Right	Other	App. Total	Left	Thru	Right	Other	App. Total	Left	Thru	Right	Other	App. Total	
Peak Hour Analysis From 07:00 AM to 08:45 AM - Peak 1 of 1																					
Peak Hour for Entire Intersection Begins at 07:00 AM																					
07:00 AM	1	0	23	0	24	0	119	0	0	119	0	0	0	0	0	8	75	0	0	83	226
07:15 AM	1	0	25	0	26	0	123	0	0	123	0	0	0	0	0	6	86	0	0	92	241
07:30 AM	1	0	15	0	16	0	163	0	0	163	0	0	0	0	0	9	97	0	0	106	285
07:45 AM	2	0	20	0	22	1	122	0	0	123	0	0	0	0	0	7	83	0	0	90	235
Total Volume	5	0	83	0	88	1	527	0	0	528	0	0	0	0	0	30	341	0	0	371	987
% App. Total	5.7	0	94.3	0		0.2	99.8	0	0		0	0	0	0		8.1	91.9	0	0		
PHF	.625	.000	.830	.000	.846	.250	.808	.000	.000	.810	.000	.000	.000	.000	.000	.833	.879	.000	.000	.875	.866



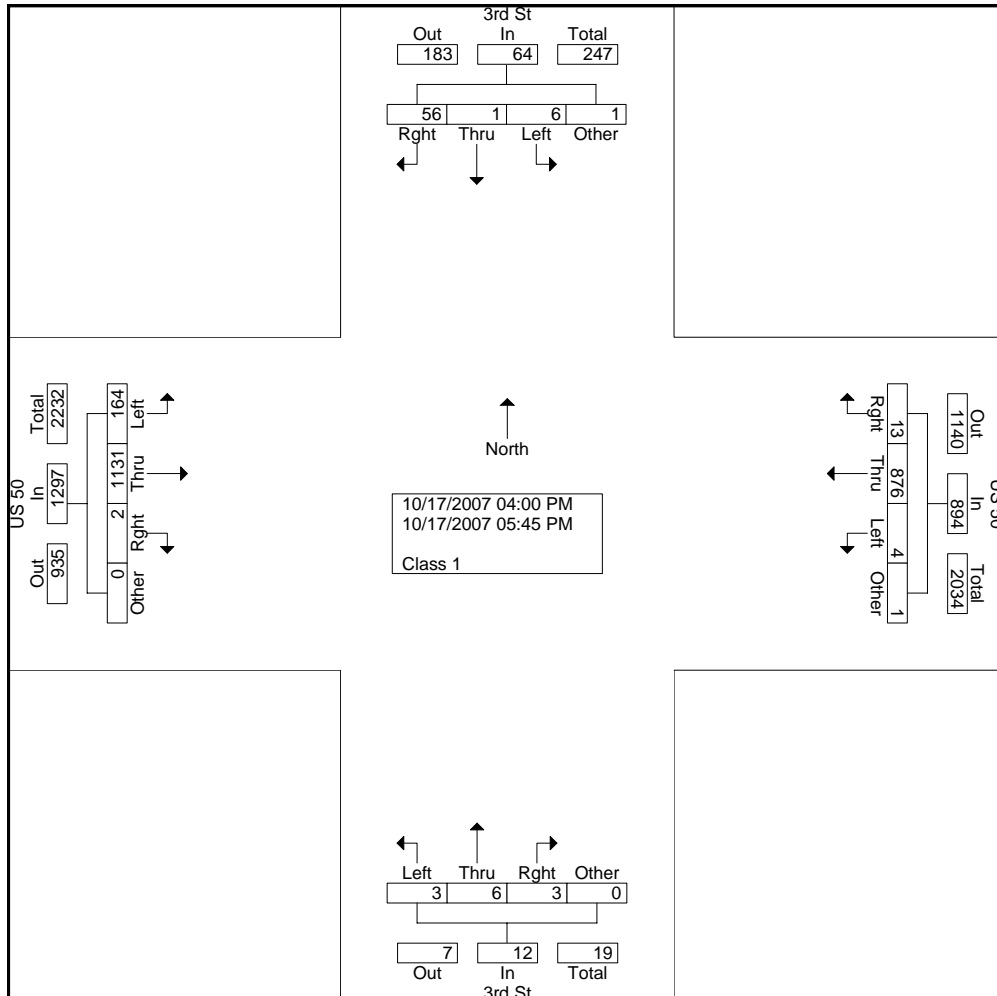


All Traffic Data Services, Inc.
 9660 W. 44th Ave.
 Wheat Ridge, CO 80033

File Name : #40 3rd St & US 50 PM
 Site Code : 00000000
 Start Date : 10/17/2007
 Page No : 1

Groups Printed- Class 1

Start Time	3rd St Southbound				US 50 Westbound				3rd St Northbound				US 50 Eastbound				Int. Total
	Left	Thru	Right	Other	Left	Thru	Right	Other	Left	Thru	Right	Other	Left	Thru	Right	Other	
04:00 PM	0	0	5	0	1	107	3	0	0	4	0	0	21	99	1	0	241
04:15 PM	0	0	11	0	0	110	2	0	0	0	0	0	20	140	0	0	283
04:30 PM	0	0	3	0	0	106	0	0	0	0	0	0	20	143	0	0	272
04:45 PM	0	0	9	0	1	124	2	0	1	0	2	0	12	160	0	0	311
Total	0	0	28	0	2	447	7	0	1	4	2	0	73	542	1	0	1107
05:00 PM	1	0	7	0	1	110	1	0	1	1	0	0	15	154	1	0	292
05:15 PM	2	0	8	1	0	108	2	1	1	0	1	0	29	148	0	0	301
05:30 PM	2	1	6	0	0	112	2	0	0	1	0	0	24	152	0	0	300
05:45 PM	1	0	7	0	1	99	1	0	0	0	0	0	23	135	0	0	267
Total	6	1	28	1	2	429	6	1	2	2	1	0	91	589	1	0	1160
Grand Total	6	1	56	1	4	876	13	1	3	6	3	0	164	1131	2	0	2267
Apprch %	9.4	1.6	87.5	1.6	0.4	98	1.5	0.1	25	50	25	0	12.6	87.2	0.2	0	
Total %	0.3	0	2.5	0	0.2	38.6	0.6	0	0.1	0.3	0.1	0	7.2	49.9	0.1	0	

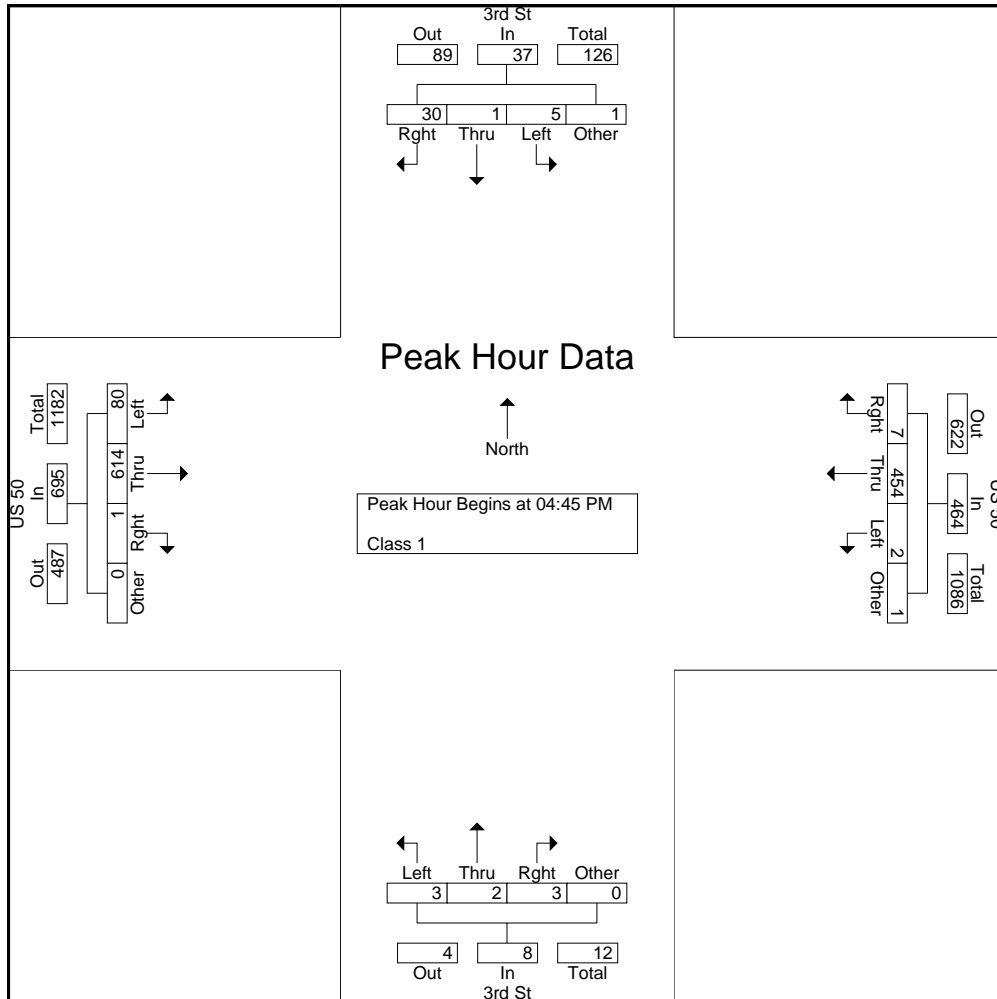




All Traffic Data Services, Inc.
 9660 W. 44th Ave.
 Wheat Ridge, CO 80033

File Name : #40 3rd St & US 50 PM
 Site Code : 00000000
 Start Date : 10/17/2007
 Page No : 2

Start Time	3rd St Southbound					US 50 Westbound					3rd St Northbound					US 50 Eastbound					Int. Total
	Left	Thru	Right	Other	App. Total	Left	Thru	Right	Other	App. Total	Left	Thru	Right	Other	App. Total	Left	Thru	Right	Other	App. Total	
Peak Hour Analysis From 04:00 PM to 05:45 PM - Peak 1 of 1																					
Peak Hour for Entire Intersection Begins at 04:45 PM																					
04:45 PM	0	0	9	0	9	1	124	2	0	127	1	0	2	0	3	12	160	0	0	172	311
05:00 PM	1	0	7	0	8	1	110	1	0	112	1	1	0	0	2	15	154	1	0	170	292
05:15 PM	2	0	8	1	11	0	108	2	1	111	1	0	1	0	2	29	148	0	0	177	301
05:30 PM	2	1	6	0	9	0	112	2	0	114	0	1	0	0	1	24	152	0	0	176	300
Total Volume	5	1	30	1	37	2	454	7	1	464	3	2	3	0	8	80	614	1	0	695	1204
% App. Total	13.5	2.7	81.1	2.7		0.4	97.8	1.5	0.2		37.5	25	37.5	0		11.5	88.3	0.1	0		
PHF	.625	.250	.833	.250	.841	.500	.915	.875	.250	.913	.750	.500	.375	.000	.667	.690	.959	.250	.000	.982	.968



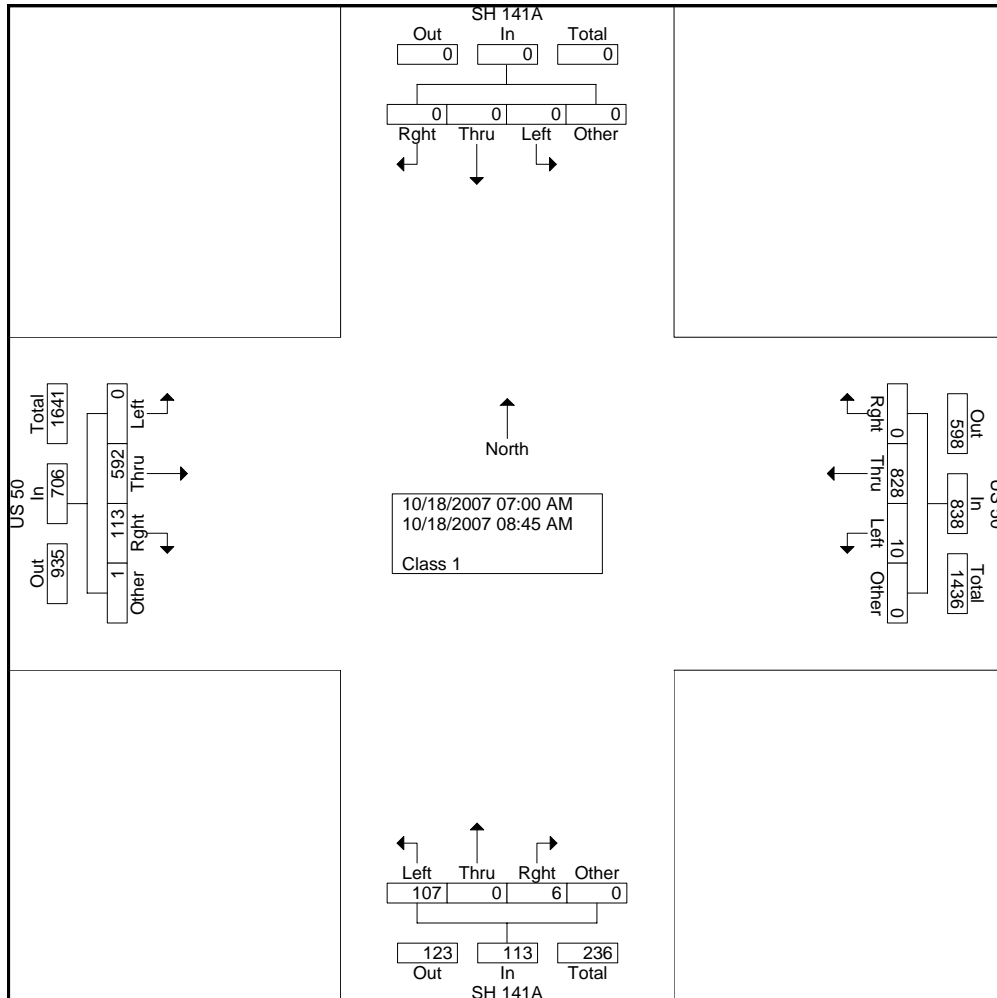


All Traffic Data Services, Inc.
 9660 W. 44th Ave.
 Wheat Ridge, CO 80033

File Name : #41 SH 141A & US 50 AM
 Site Code : 00000000
 Start Date : 10/18/2007
 Page No : 1

Groups Printed- Class 1

Start Time	SH 141A Southbound				US 50 Westbound				SH 141A Northbound				US 50 Eastbound				Int. Total
	Left	Thru	Rght	Other	Left	Thru	Rght	Other	Left	Thru	Rght	Other	Left	Thru	Rght	Other	
07:00 AM	0	0	0	0	0	103	0	0	13	0	0	0	0	63	14	1	194
07:15 AM	0	0	0	0	2	107	0	0	13	0	1	0	0	70	17	0	210
07:30 AM	0	0	0	0	3	134	0	0	25	0	1	0	0	80	20	0	263
07:45 AM	0	0	0	0	0	106	0	0	17	0	1	0	0	73	12	0	209
Total	0	0	0	0	5	450	0	0	68	0	3	0	0	286	63	1	876
08:00 AM	0	0	0	0	2	91	0	0	7	0	0	0	0	74	13	0	187
08:15 AM	0	0	0	0	1	87	0	0	7	0	0	0	0	89	16	0	200
08:30 AM	0	0	0	0	1	100	0	0	13	0	1	0	0	71	11	0	197
08:45 AM	0	0	0	0	1	100	0	0	12	0	2	0	0	72	10	0	197
Total	0	0	0	0	5	378	0	0	39	0	3	0	0	306	50	0	781
Grand Total	0	0	0	0	10	828	0	0	107	0	6	0	0	592	113	1	1657
Apprch %	0	0	0	0	1.2	98.8	0	0	94.7	0	5.3	0	0	83.9	16	0.1	
Total %	0	0	0	0	0.6	50	0	0	6.5	0	0.4	0	0	35.7	6.8	0.1	

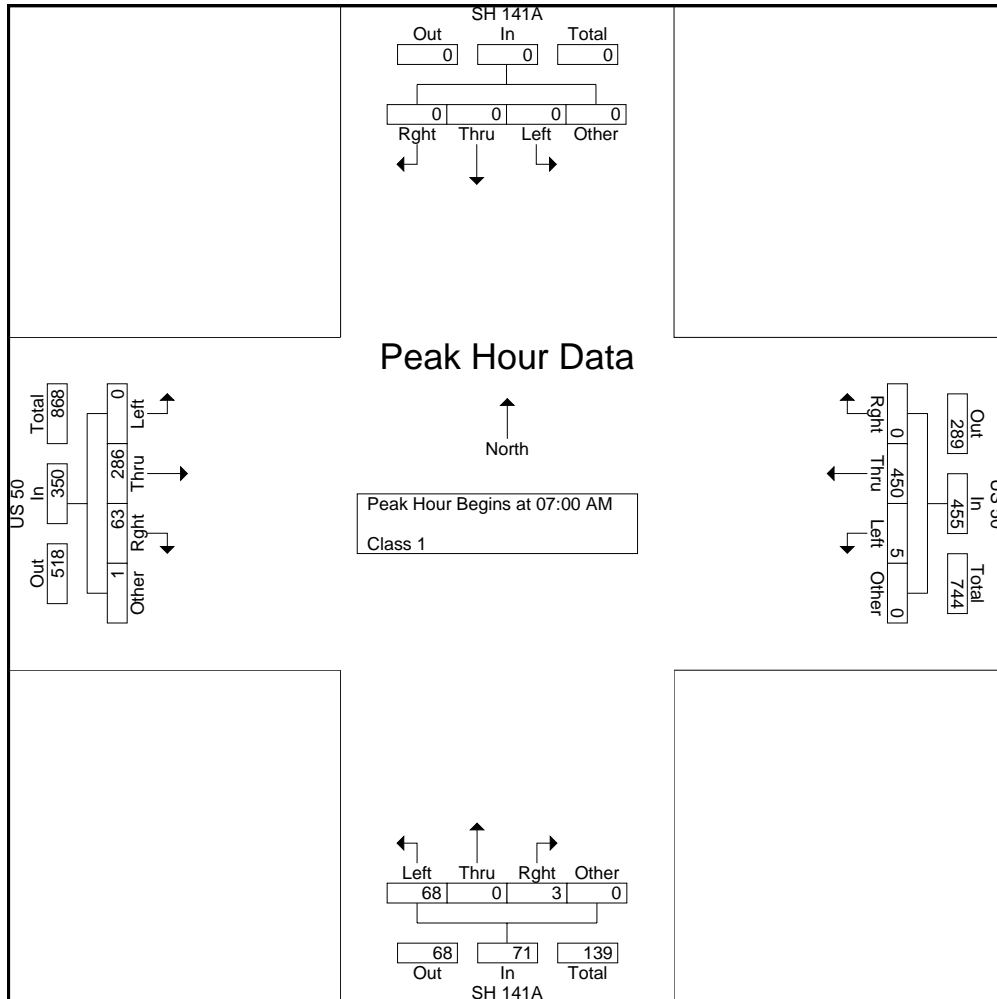




All Traffic Data Services, Inc.
 9660 W. 44th Ave.
 Wheat Ridge, CO 80033

File Name : #41 SH 141A & US 50 AM
 Site Code : 00000000
 Start Date : 10/18/2007
 Page No : 2

Start Time	SH 141A Southbound					US 50 Westbound					SH 141A Northbound					US 50 Eastbound					Int. Total
	Left	Thru	Right	Other	App. Total	Left	Thru	Right	Other	App. Total	Left	Thru	Right	Other	App. Total	Left	Thru	Right	Other	App. Total	
Peak Hour Analysis From 07:00 AM to 08:45 AM - Peak 1 of 1																					
Peak Hour for Entire Intersection Begins at 07:00 AM																					
07:00 AM	0	0	0	0	0	0	103	0	0	103	13	0	0	0	13	0	63	14	1	78	194
07:15 AM	0	0	0	0	0	2	107	0	0	109	13	0	1	0	14	0	70	17	0	87	210
07:30 AM	0	0	0	0	0	3	134	0	0	137	25	0	1	0	26	0	80	20	0	100	263
07:45 AM	0	0	0	0	0	0	106	0	0	106	17	0	1	0	18	0	73	12	0	85	209
Total Volume	0	0	0	0	0	5	450	0	0	455	68	0	3	0	71	0	286	63	1	350	876
% App. Total	0	0	0	0	0	1.1	98.9	0	0		95.8	0	4.2	0		0	81.7	18	0.3		
PHF	.000	.000	.000	.000	.000	.417	.840	.000	.000	.830	.680	.000	.750	.000	.683	.000	.894	.788	.250	.875	.833



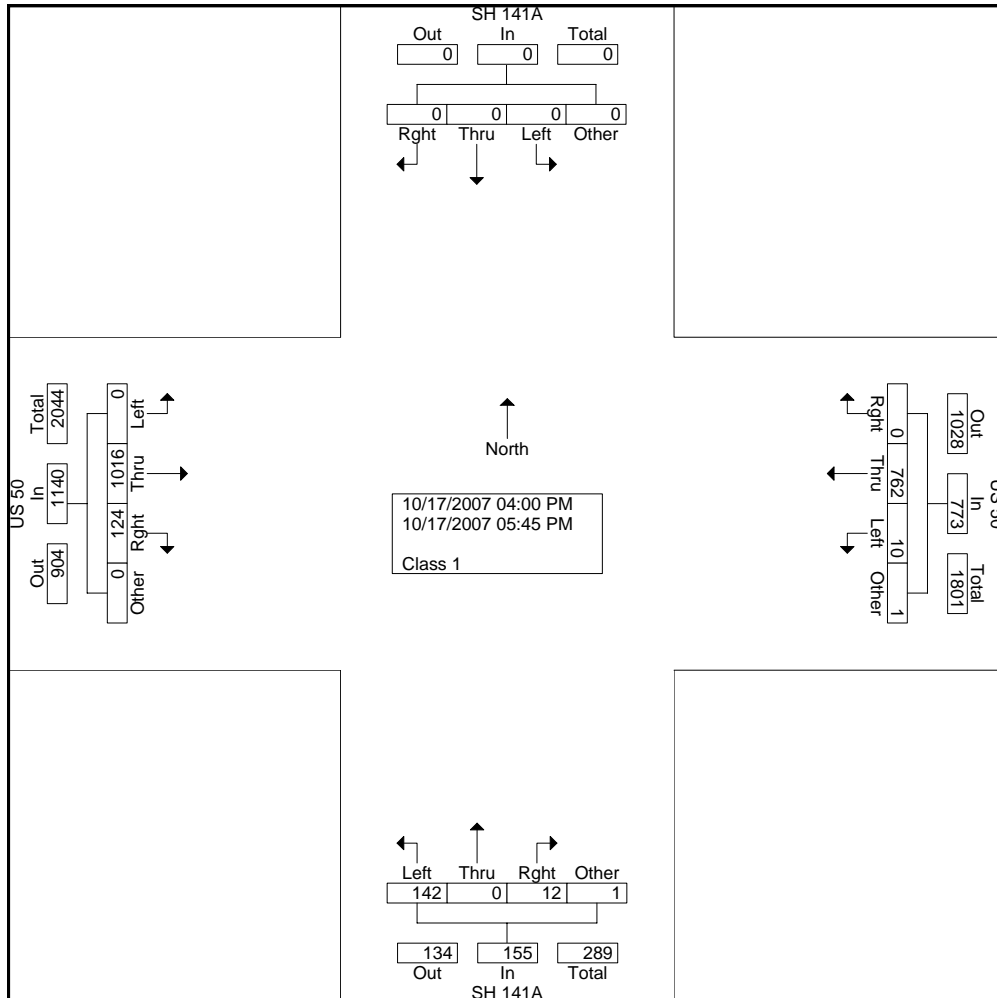


All Traffic Data Services, Inc.
 9660 W. 44th Ave.
 Wheat Ridge, CO 80033

File Name : #41 SH 141A & US 50 PM
 Site Code : 00000000
 Start Date : 10/17/2007
 Page No : 1

Groups Printed- Class 1

Start Time	SH 141A Southbound				US 50 Westbound				SH 141A Northbound				US 50 Eastbound				Int. Total
	Left	Thru	Rght	Other	Left	Thru	Rght	Other	Left	Thru	Rght	Other	Left	Thru	Rght	Other	
04:00 PM	0	0	0	0	0	89	0	0	23	0	0	0	0	94	14	0	221
04:15 PM	0	0	0	0	1	86	0	0	19	0	3	0	0	128	13	0	250
04:30 PM	0	0	0	0	0	96	0	0	13	0	2	0	0	127	16	0	254
04:45 PM	0	0	0	0	1	101	0	0	21	0	1	0	0	140	15	0	279
Total	0	0	0	0	2	372	0	0	76	0	6	1	0	489	58	0	1004
05:00 PM	0	0	0	0	2	109	0	0	18	0	1	0	0	139	18	0	287
05:15 PM	0	0	0	0	3	92	0	1	10	0	2	0	0	127	21	0	256
05:30 PM	0	0	0	0	2	107	0	0	9	0	0	0	0	138	13	0	269
05:45 PM	0	0	0	0	1	82	0	0	29	0	3	0	0	123	14	0	252
Total	0	0	0	0	8	390	0	1	66	0	6	0	0	527	66	0	1064
Grand Total	0	0	0	0	10	762	0	1	142	0	12	1	0	1016	124	0	2068
Apprch %	0	0	0	0	1.3	98.6	0	0.1	91.6	0	7.7	0.6	0	89.1	10.9	0	
Total %	0	0	0	0	0.5	36.8	0	0	6.9	0	0.6	0	0	49.1	6	0	





All Traffic Data Services, Inc.
 9660 W. 44th Ave.
 Wheat Ridge, CO 80033

File Name : #41 SH 141A & US 50 PM
 Site Code : 00000000
 Start Date : 10/17/2007
 Page No : 2

Start Time	SH 141A Southbound					US 50 Westbound					SH 141A Northbound					US 50 Eastbound					Int. Total
	Left	Thru	Right	Other	App. Total	Left	Thru	Right	Other	App. Total	Left	Thru	Right	Other	App. Total	Left	Thru	Right	Other	App. Total	
Peak Hour Analysis From 04:00 PM to 05:45 PM - Peak 1 of 1																					
Peak Hour for Entire Intersection Begins at 04:45 PM																					
04:45 PM	0	0	0	0	0	1	101	0	0	102	21	0	1	0	22	0	140	15	0	155	279
05:00 PM	0	0	0	0	0	2	109	0	0	111	18	0	1	0	19	0	139	18	0	157	287
05:15 PM	0	0	0	0	0	3	92	0	1	96	10	0	2	0	12	0	127	21	0	148	256
05:30 PM	0	0	0	0	0	2	107	0	0	109	9	0	0	0	9	0	138	13	0	151	269
Total Volume	0	0	0	0	0	8	409	0	1	418	58	0	4	0	62	0	544	67	0	611	1091
% App. Total	0	0	0	0	0	1.9	97.8	0	0.2		93.5	0	6.5	0		0	89	11	0		
PHF	.000	.000	.000	.000	.000	.667	.938	.000	.250	.941	.690	.000	.500	.000	.705	.000	.971	.798	.000	.973	.950

