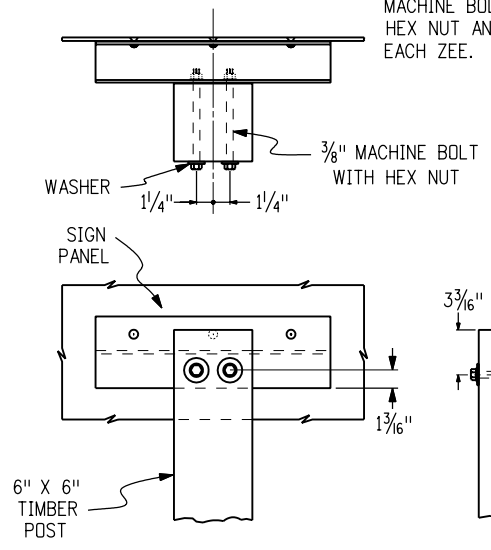


PANEL COMBINATIONS	ZEE LENGTH
21", 24", 30", 36", 45"	*
24" & 24"	43"
24" & 30"	49"
30" & 30"	55"
36" & 36"	67"
45" & 36"	76"
24" & 24" & 24"	68"
24" & 24" & 30"	74"
24" & 30" & 24"	74"
30" & 24" & 30"	80"
24" & 30" & 30"	80"
30" & 30" & 30"	86"

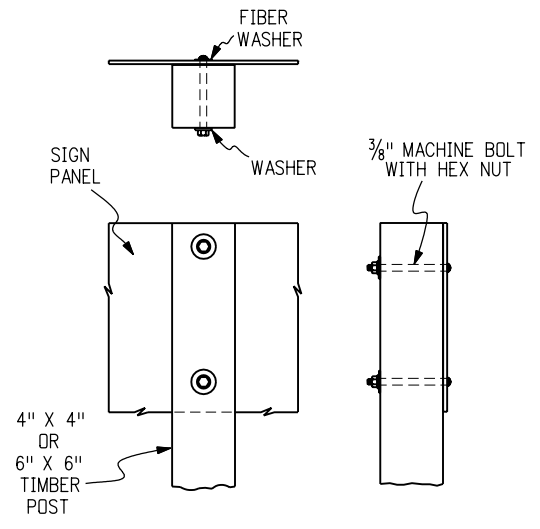
- NOTES:**
- HOLE SPACING SHALL BE COUNTED FROM LEFT TO RIGHT LOOKING AT THE BACK OF SIGN WITH FIRST AND LAST HOLES 2 IN. FROM EDGE OF THE Z-BAR. HOLES IN BETWEEN SHALL BE 6 IN TO 8 IN APART.
 - * Z-BAR LENGTH SHALL BE 3 IN. ($\pm 1/2$ IN.) SHORT OF THE EDGE OF THE SIGN ON BOTH SIDES.
 - SUPPLEMENTAL PANELS SHALL BE CENTERED RELATIVE TO THE PRIMARY PANELS. Z-BAR LENGTHS FOR SUPPLEMENTAL PANEL GROUPS MAY BE ADJUSTED TO FIT.

FOR SINGLE POST SIGNS WITH TWO BACKING ZEES, USE ONE $5/8$ " MACHINE BOLT WITH WASHER AND HEX NUT AND LOCK WASHER AT EACH ZEE.



CLASS II MARKER ASSEMBLY INSTALLATION

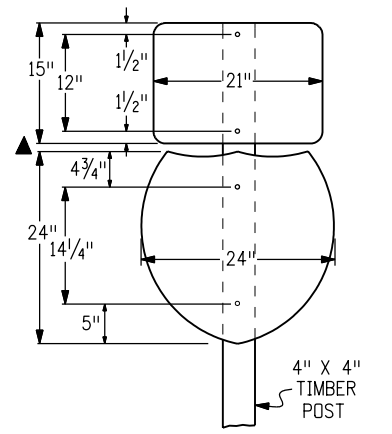
$3/8$ " 90° COUNTERSUNK ALUMINUM LOCKBOLT FASTENERS (NO. 4 THRU NO. 10 AS REQUIRED). EXPOSED LOCKBOLT FASTENER HEADS ON THE FACE OF THE SIGN SHALL BE REFLECTORIZED TO MATCH THE SURROUNDING COLOR.



CLASS I MARKER ASSEMBLY INSTALLATION

GENERAL NOTES

- FOR SIGN PLACEMENT, SEE "TYPICAL GROUND SIGN PLACEMENT" STANDARD.
- ROUTE MARKERS SHALL BE SINGLE SHEET ALUMINUM 0.100 IN. MINIMUM THICKNESS.
- TIMBER POSTS SHALL BE 4"X4" OR 6"X6" AS NOTED IN THE "TABULATION OF SIGNS" AND SHALL COMFORM TO STANDARD DRESSED (S4S) SIZES.
- FOR TUBULAR STEEL POST INFORMATION, SEE STANDARD PLAN S-614-8.
- BACKING ZEES ARE 3 IN. X 2 IN. X $1/16$ IN. 2.33 6061-T6 ALUMINUM ALLOY WEIGHING 2.33 LBS. PER FOOT.
- ALL SIGNS SHALL BE FABRICATED USING RETROREFLECTIVE SHEETING CONFORMING TO ASTM D4956. THE TYPE SHALL BE AS DESCRIBED IN THE STANDARD SPECIFICATIONS AND/OR AS SHOWN ON THE PLANS.
- VERTICAL SPACING BETWEEN PANELS SHALL BE 1 IN. MINIMUM TO $1 1/2$ IN. MAXIMUM.
- VERTICAL SPACING BETWEEN GROUPS OF PANELS SHALL BE 4 IN.
- BOLTS, NUTS, AND METAL WASHERS SHALL BE GALVANIZED OR CADMIUM PLATED.
- ZEE LENGTH AND HOLE SPACING FOR AUXILIARY MARKERS TO BE THE SAME AS FOR CORRESPONDING ROUTE MARKERS.
- WASHERS ON TIMBER POSTS SHALL BE $1 1/2$ IN. DIA.



Computer File Information

Creation Date: 07/04/06	Initials: JSW
Last Modification Date:	Initials:
Full Path: www.dot.state.co.us/DesignSupport/	
Drawing File Name: Sheet_S-614-10_1of1.dgn	
CAD Ver.: MicroStation V8	Scale: Not to Scale Units: English

Sheet Revisions

Date:	Comments
(R-X)	
(R-X)	
(R-X)	
(R-X)	

Colorado Department of Transportation
 4201 East Arkansas Avenue
 Denver, Colorado 80222
 Phone: (303) 757-9543
 Fax: (303) 757-9458

Safety & Traffic Engineering Branch **KCM/JSW**

MARKER ASSEMBLY INSTALLATIONS

Issued By: Safety & Traffic Engineering Branch July 4, 2006

STANDARD PLAN NO.

S-614-10

Sheet No. 1 of 1