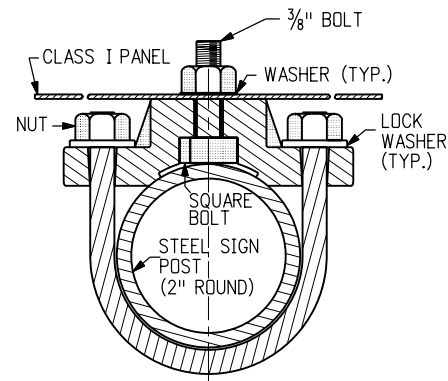
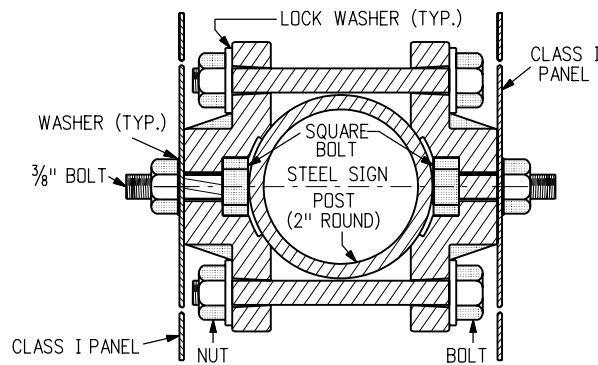


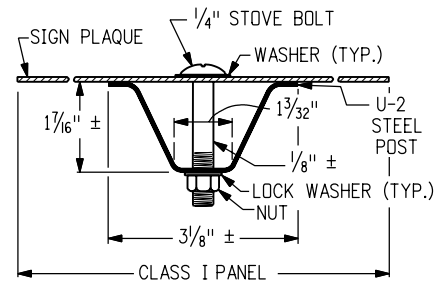
TYPICAL SINGLE BRACKET



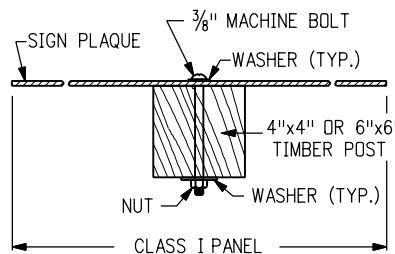
TYPICAL BACK TO BACK



TYPICAL ROUND STEEL POLE SECTION



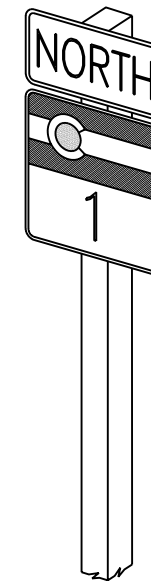
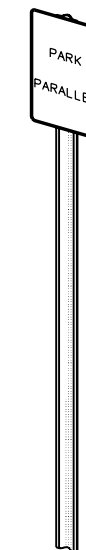
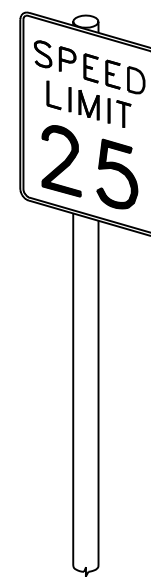
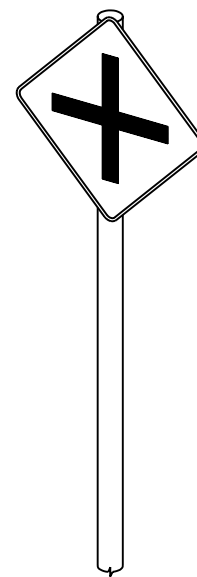
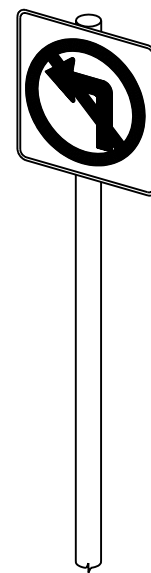
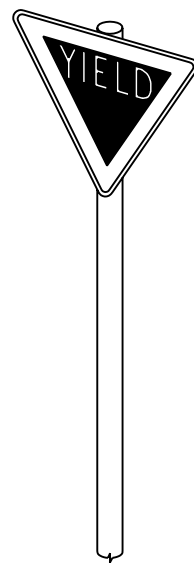
TYPICAL U-2 POST SECTION



TYPICAL TIMBER POST SECTION

**GENERAL NOTES**

1. CLASS I SIGN PANELS ARE ALL THOSE THAT DO NOT REQUIRE BACKING ZEES. CLASS I PANELS SHALL GENERALLY BE 0.100" MINIMUM THICKNESS SINGLE SHEET ALUMINUM, BUT 0.080" THICKNESS MAY BE USED FOR SIGN PANELS WHERE BOTH THE HORIZONTAL AND VERTICAL DIMENSIONS ARE LESS THAN 36 IN.
2. CLASS I SIGN PANELS SHALL BE FASTENED TO THE U-2 POST WITH 2-1/4 IN. STOVE BOLTS AND TO TIMBER POSTS WITH 2-3/8 IN. MACHINE BOLTS. SEE STANDARD PLANS S-614-20 AND S-614-22 FOR EXCEPTIONS.
3. A WASHER SHALL BE PLACED BETWEEN THE BOLT HEAD AND THE FACE OF THE SIGN PANEL. A 1/2 IN. DIA. WASHER SHALL BE PLACED UNDER THE NUT ON THE BACK OF THE TIMBER POST.
4. BOLTS, NUTS AND WASHERS SHALL BE GALVANIZED OR CADMIUM PLATED.
5. ALL SIGNS SHALL BE FABRICATED USING RETROREFLECTIVE SHEETING CONFORMING TO ASTM D4956. THE TYPE SHALL BE AS DESCRIBED IN THE STANDARD SPECIFICATIONS AND/OR AS SHOWN ON THE PLANS.
6. FOR SIGN PLACEMENT SEE STANDARD PLAN S-614-1.
7. U-2 POSTS MAY ONLY BE USED FOR DELINEATORS, MILE MARKERS AND STRUCTURE NUMBER PLAQUES. "U" SHAPE STEEL POSTS SHALL BE A UNIFORM FLANGED CHANNEL SECTION MADE FROM HOT ROLLED STRUCTURAL STEEL, RE-ROLLED RAIL STEEL, OR NEW BILLET STEEL HAVING A MINIMUM YIELD STRENGTH OF AT LEAST 30,000 PSI, AND A MINIMUM TENSILE STRENGTH OF AT LEAST 50,000 PSI. U" SHAPE POSTS SHALL WEIGH 2 LBS/FT, EXCEPT THAT A MILL TOLERANCE OF MINUS 3/2% OF THE WEIGHT OF ANY ONE POST WILL BE ALLOWED. "U" SHAPE POSTS SHALL HAVE 5/16 IN. HOLES DRILLED OR PUNCHED ON 1IN. OR 2 IN. CENTERS FOR THE TOP 4 FEET OF THE POST AS A MINIMUM, WITH THE FIRST HOLE 1/2 IN. FROM THE TOP OF THE POST. COLOR OF POSTS SHALL BE INTERSTATE GREEN.
8. VERTICAL SPACING BETWEEN PANELS ON THE SAME POST SHALL BE 1 IN. TO 1 1/2 IN.



TYPICAL CLASS I GROUND SIGNS

<b>Computer File Information</b> Creation Date: 07/04/06      Initials: KCM Last Modification Date: 07/04/06      Initials: JSW Full Path: www.dot.state.co.us/DesignSupport/ Drawing File Name: Sheet_S-614-02_1of1.dgn CAD Ver.: MicroStation V8      Scale: Not to Scale      Units: English		<b>Sheet Revisions</b> <table border="1"> <thead> <tr> <th>Date:</th> <th>Comments</th> </tr> </thead> <tbody> <tr> <td>(R-X)</td> <td></td> </tr> <tr> <td>(R-X)</td> <td></td> </tr> <tr> <td>(R-X)</td> <td></td> </tr> <tr> <td>(R-X)</td> <td></td> </tr> </tbody> </table>		Date:	Comments	(R-X)		(R-X)		(R-X)		(R-X)		Colorado Department of Transportation  4201 East Arkansas Avenue Denver, Colorado 80222 Phone: (303) 757-9543 Fax: (303) 757-9458 Safety & Traffic Engineering Branch      KCM/JSW		<b>STANDARD PLAN NO.</b> <h1 style="text-align: center;">CLASS I SIGNS</h1> S-614-2 Sheet No. 1 of 1 Issued By: Safety & Traffic Engineering Branch July 4, 2006	
Date:	Comments																
(R-X)																	
(R-X)																	
(R-X)																	
(R-X)																	