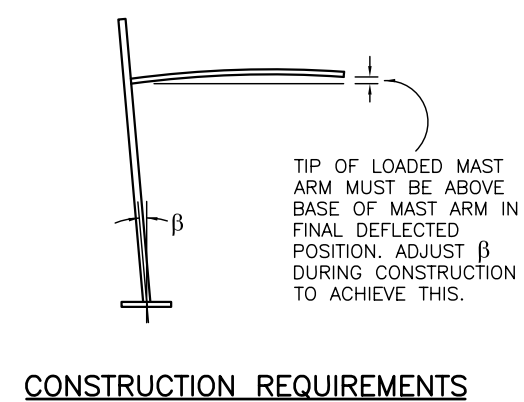
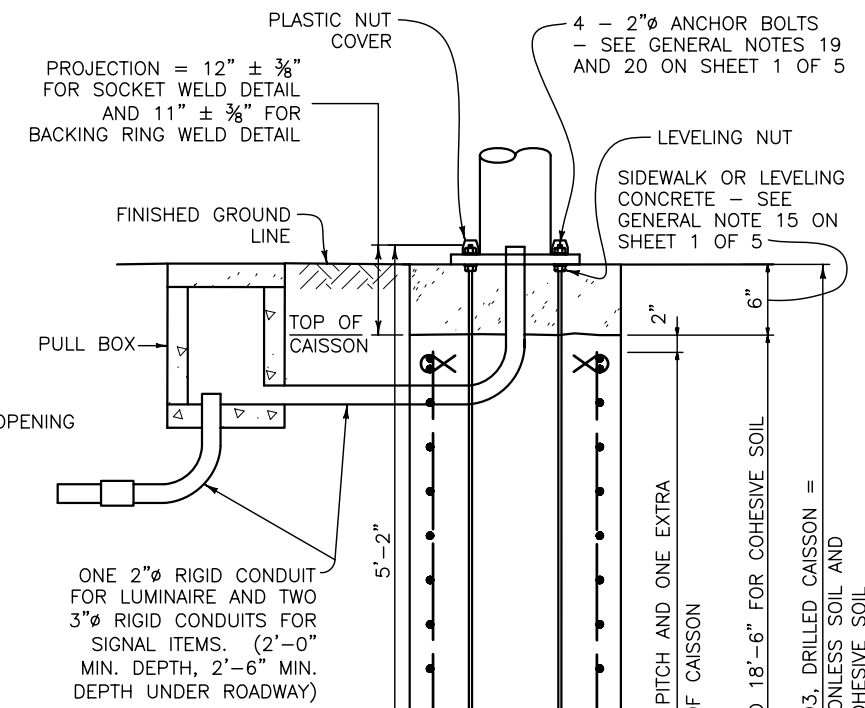
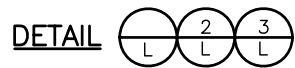
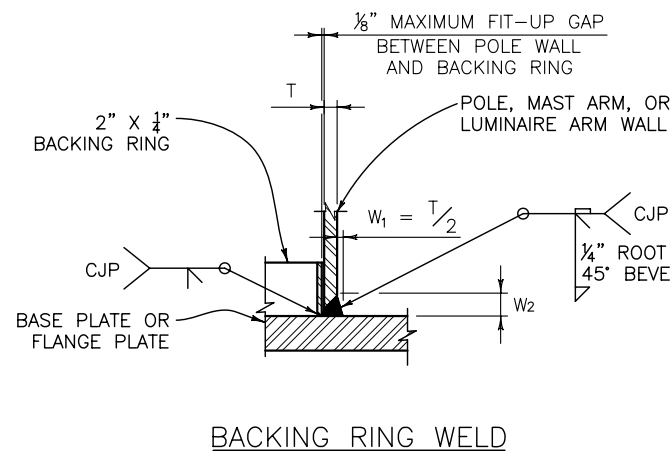
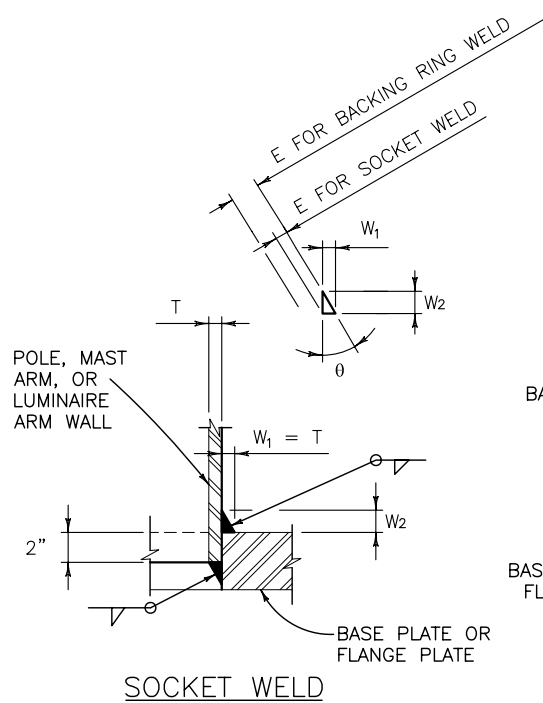
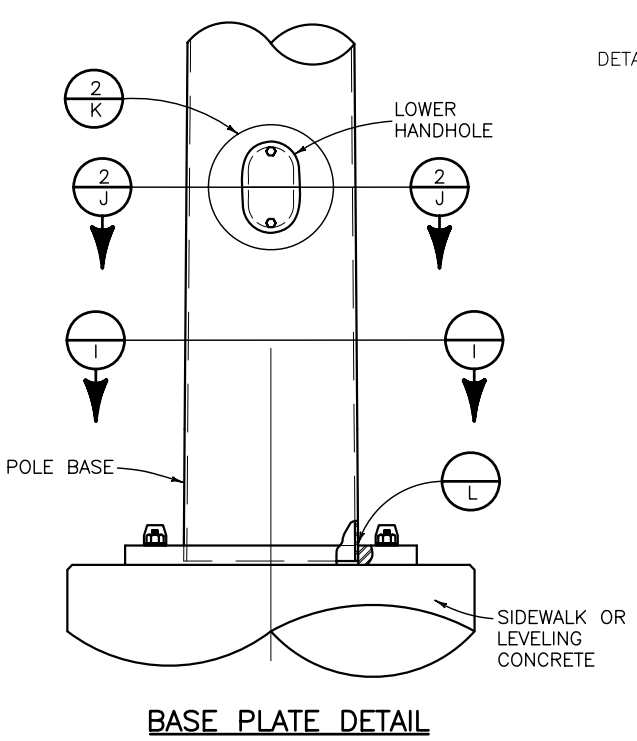


SOCKET WELD DATA					
	ARM LENGTH (FT.)	W <sub>1</sub> (IN.)	W <sub>2</sub> (IN.)	E (IN.)	θ (DEG.)
MAST ARMS	25	0.2391	0.285	0.183	40
	35	0.2391	0.285	0.183	40
	45	0.3125	0.372	0.239	40
	55	0.3125	0.372	0.239	40
POLE	ALL	0.3125	0.372	0.239	40
LUMINAIRE ARMS	ALL	0.1793	0.214	0.138	40

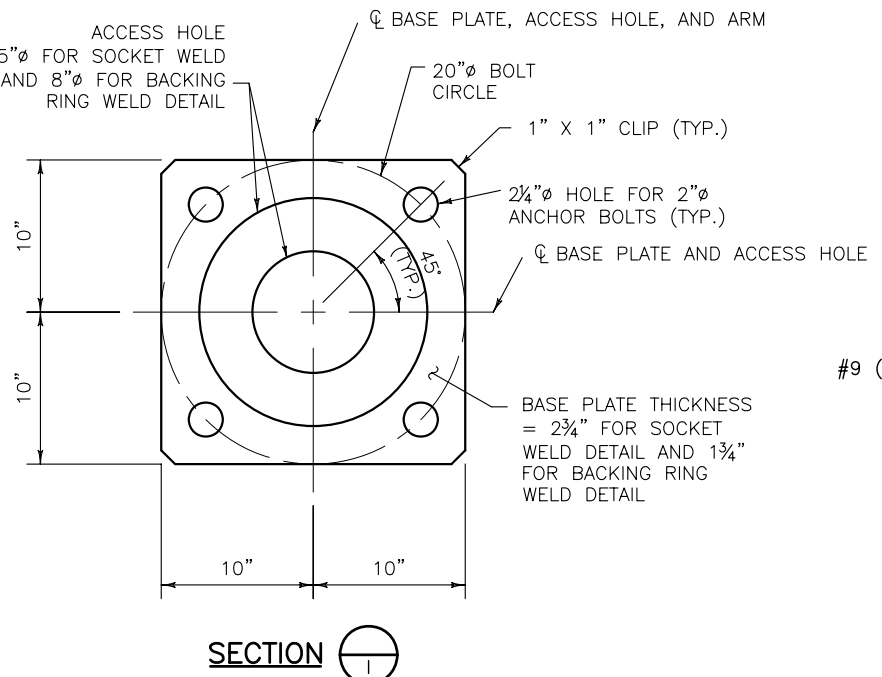
BACKING RING WELD DATA					
	ARM LENGTH (FT.)	W <sub>1</sub> (IN.)	W <sub>2</sub> (IN.)	E (IN.)	θ (DEG.)
MAST ARMS	25	0.1196	0.489	0.289	14
	35	0.1196	0.489	0.289	14
	45	0.1566	0.563	0.385	16
	55	0.1566	0.563	0.385	16
POLE	ALL	0.1566	0.563	0.385	16
LUMINAIRE ARMS	ALL	0.0897	0.429	0.212	12



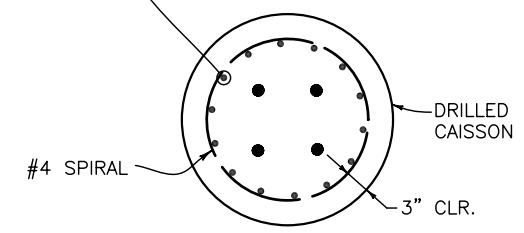
**CONSTRUCTION REQUIREMENTS**



**BASE PLATE DETAIL**



**SECTION 1**



**TRAFFIC SIGNAL POLE CAISSON**

Computer File Information	
Creation Date: 07-04-06	Initials: TDE
Last Modification Date: 07-04-06	Initials: RD
Full Path: www.dot.state.co.us/DesignSupport/	
Drawing File Name: S61440A0405.dwg	
CAD Ver.: ACAD 2004 Scale: Not to Scale Units: English	

Sheet Revisions	
Date:	Comments:
(R-X)	
(R-X)	
(R-X)	
(R-X)	

Colorado Department of Transportation  
  
 4201 East Arkansas Avenue  
 Denver, Colorado 80222  
 Phone: (303) 757-9543  
 Fax: (303) 757-9820  
**Safety & Traffic Engineering Branch**      **KCM**

**ALTERNATE TRAFFIC SIGNAL INSTALLATION DETAILS**  
 Issued By: Traffic Engineering Unit July 4, 2006

**STANDARD PLAN NO.**  
**S-614-40A**  
**Sheet No. 4 of 5**