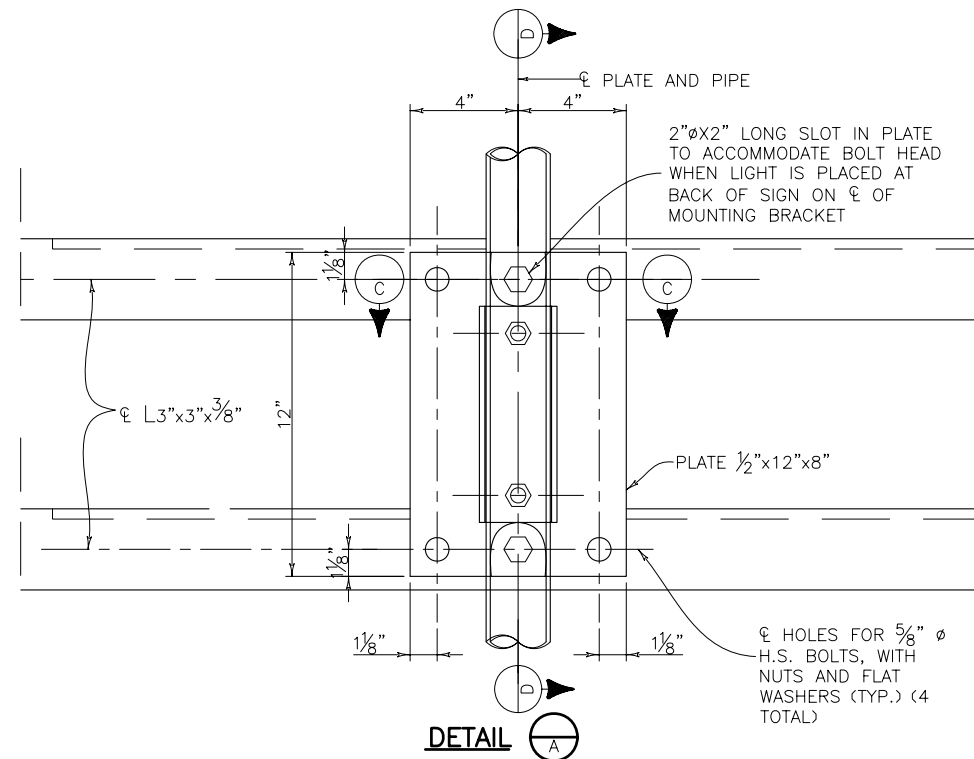
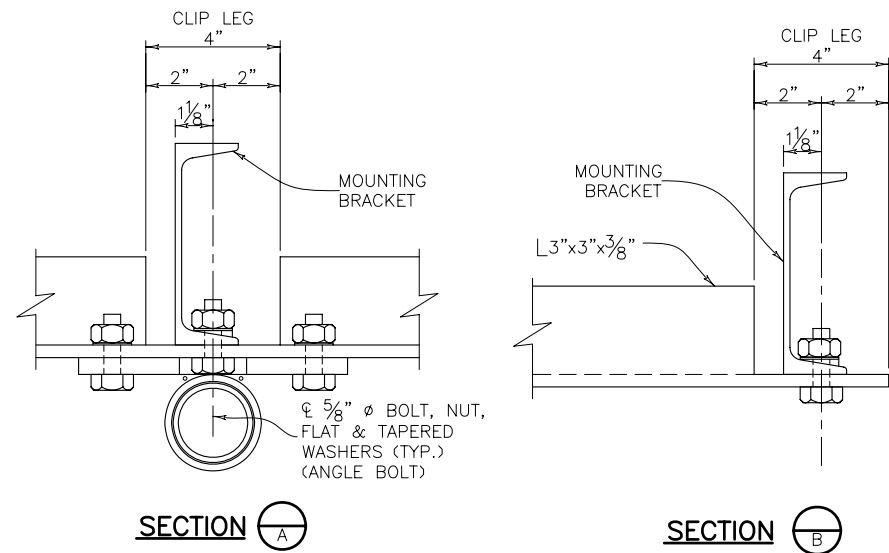
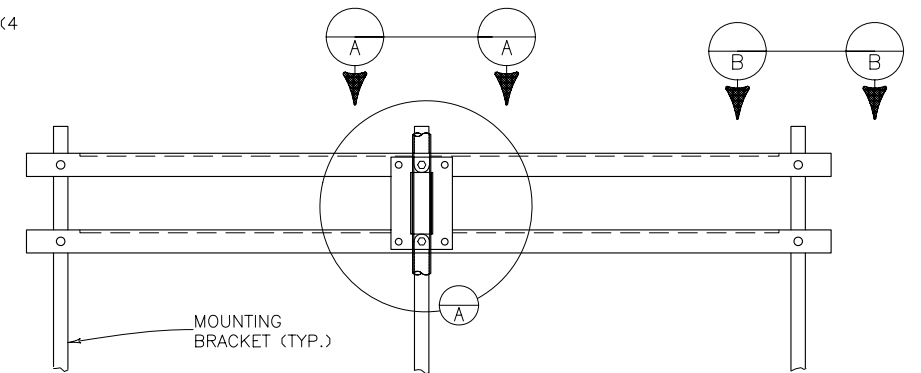
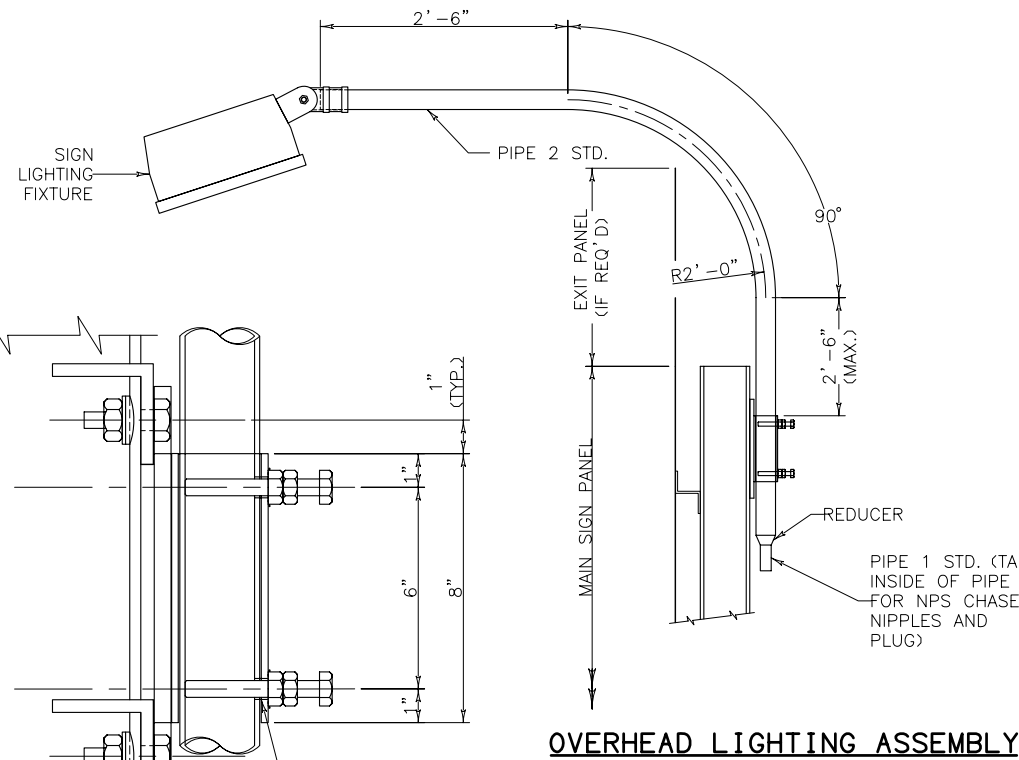
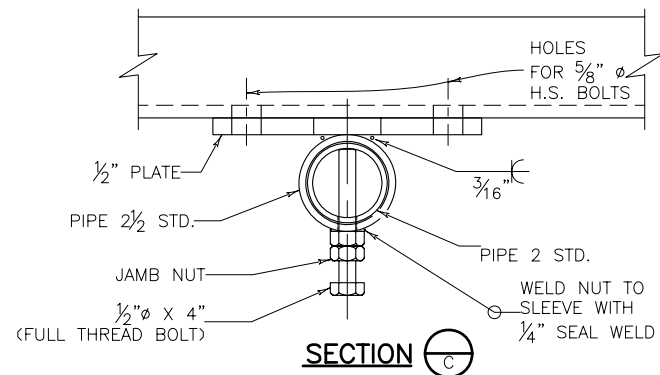


-STATIC SIGN LIGHTING DETAILS-

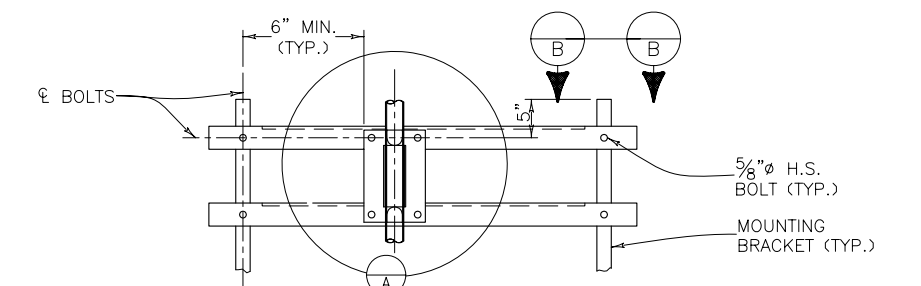


LIGHTING NOTES

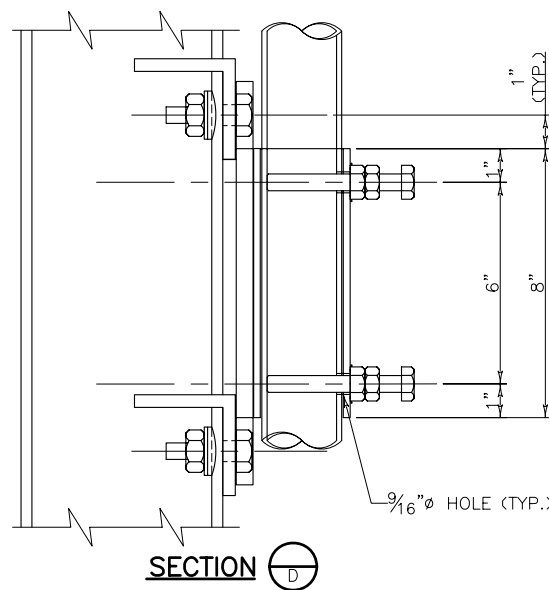
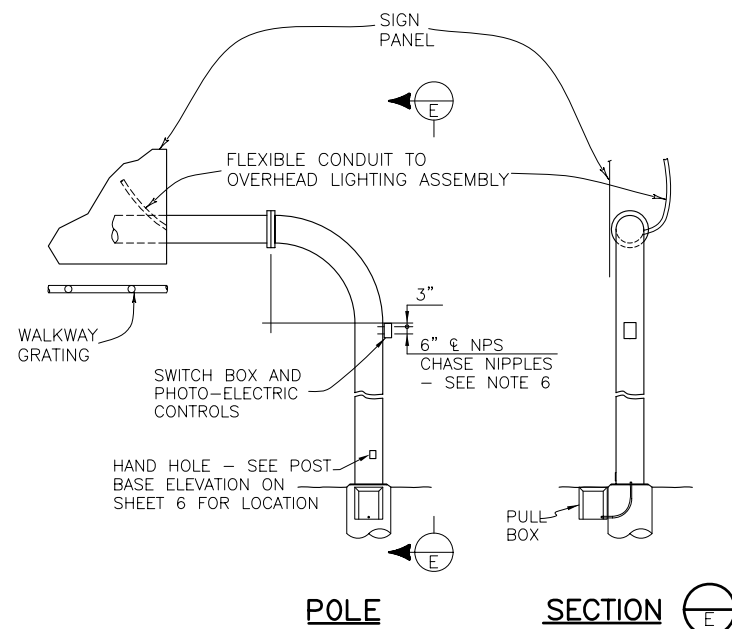
1. FIXTURES SHALL BE WATERTIGHT, DUSTPROOF AND DESIGNED FOR EASE OF LAMP AND BALLAST REPLACEMENT.
2. WHEN LIGHTS ARE REQUIRED, LAMP SHALL BE OF HIGH PRESSURE SODIUM TYPE (85 WATT OR 250 WATT AS DIRECTED BY THE ENGINEER). LAMPS AND BALLAST SHALL BE DESIGNED TO OPERATE OVER AN AMBIENT TEMPERATURE RANGE OF -20° F TO +120° F.
3. BALLASTS SHALL BE OF THE MAGNETIC REGULATOR TYPE SPECIFICALLY MANUFACTURED FOR USE WITH HIGH PRESSURE SODIUM LAMPS, AND SHALL OPERATE AT A MINIMUM OF 90% POWER FACTOR. OPERATION SHALL BE SUITABLE WITH A LINE VOLTAGE VARIATION OF ±10%.
4. THE TYPE, NUMBER AND SPACING OF FIXTURES SHALL BE PER MANUFACTURER'S SPECIFICATIONS TO MAINTAIN A MAXIMUM INITIAL ILLUMINATION OF THE SIGN FACE OF 30 FOOTCANDLES TO 60 FOOTCANDLES WITH A MAXIMUM UNIFORMITY RATIO (MAXIMUM ILLUMINATION / MINIMUM ILLUMINATION) OF 5:1.
5. FIXTURE AND MOUNTING DETAILS WILL BE SUBJECT TO APPROVAL BY THE ENGINEER.
6. DRILL AND TAP 1/2" NPS CHASE NIPPLES AND PLUG WITH RECESSED PIPE PLUGS. PLACE PERPENDICULAR TO SIGN PANEL AXIS AND AWAY FROM APPROACHING TRAFFIC.



ELEVATION
LIGHT CONNECTION PLACED AT BACK OF SIGN ON ϕ OF MOUNTING BRACKET



ELEVATION
LIGHT CONNECTION PLACED AT BACK OF SIGN BETWEEN MOUNTING BRACKETS



Computer File Information

Creation Date: 07-04-06	Initials: JSV
Last Modification Date: 07-04-06	Initials: RD
Full Path: www.dot.state.co.us/DesignSupport/	
Drawing File Name: S6145001114.dwg	
CAD Ver.: ACAD 2004 Scale: Not to Scale Units: English	

Sheet Revisions

Date:	Comments:
(R-X)	
(R-X)	
(R-X)	
(R-X)	

Colorado Department of Transportation

4201 East Arkansas Avenue
Denver, Colorado 80222
Phone: (303) 757-9543
Fax: (303) 757-9820

Safety & Traffic Engineering Branch KCM

**MONOTUBE
OVERHEAD SIGNS**

Issued By: Traffic Engineering Unit July 4, 2006

STANDARD PLAN NO.

S-614-50

Sheet No. 11 of 14