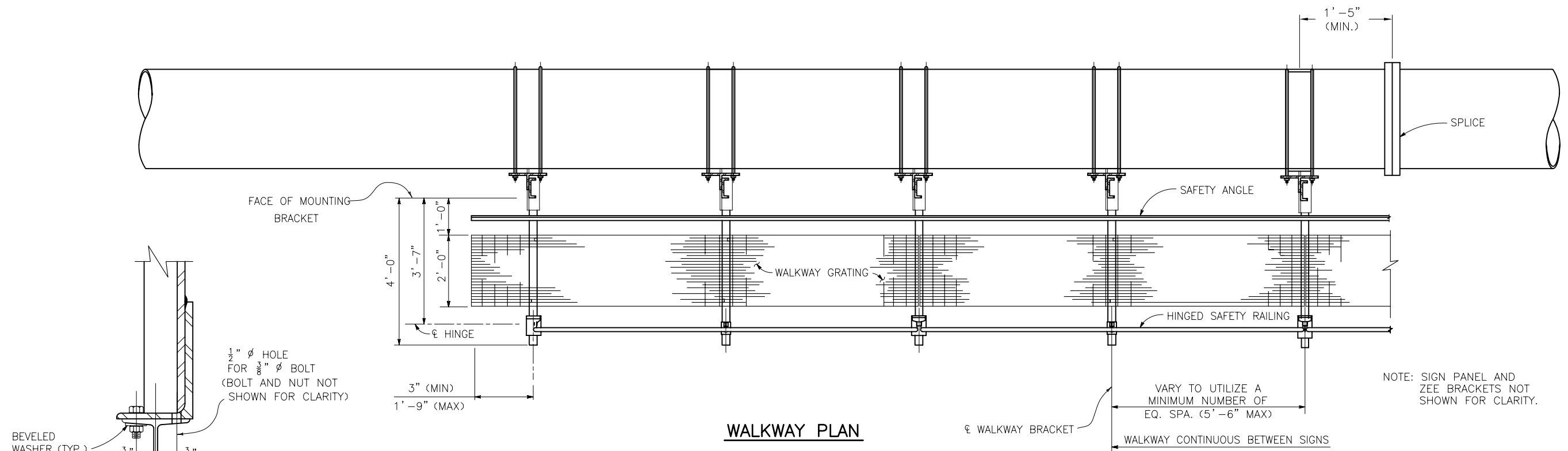
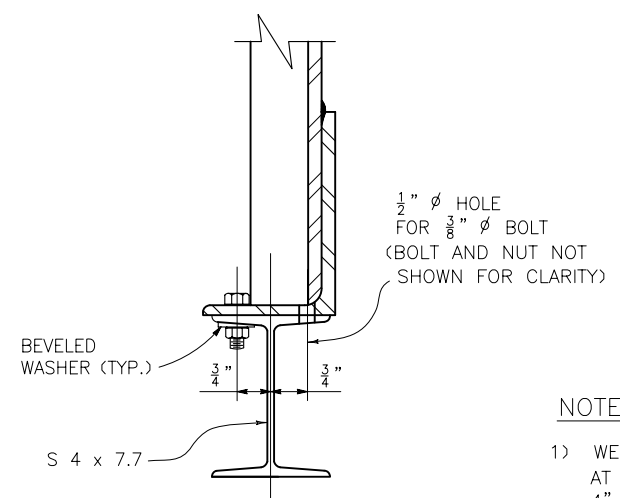


-STATIC SIGN WALKWAY DETAILS-



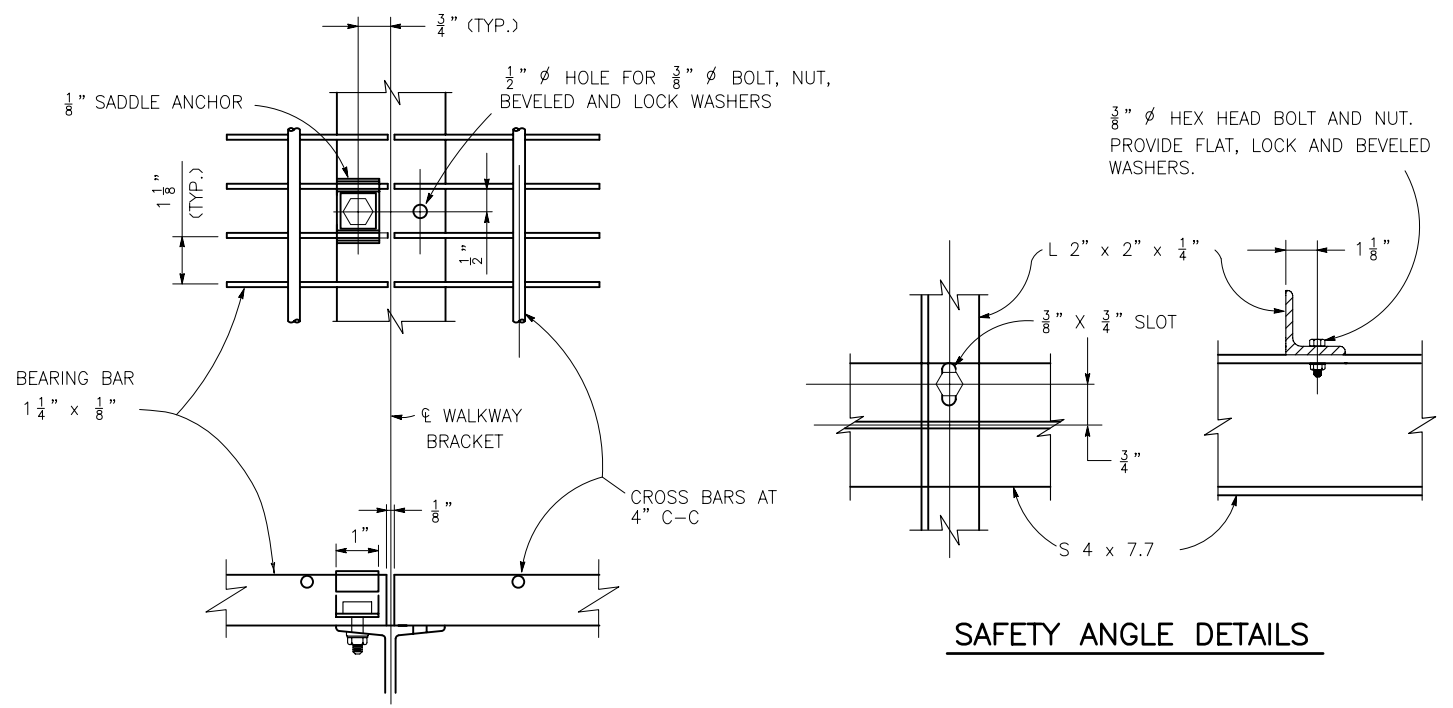
WALKWAY PLAN



SECTION A

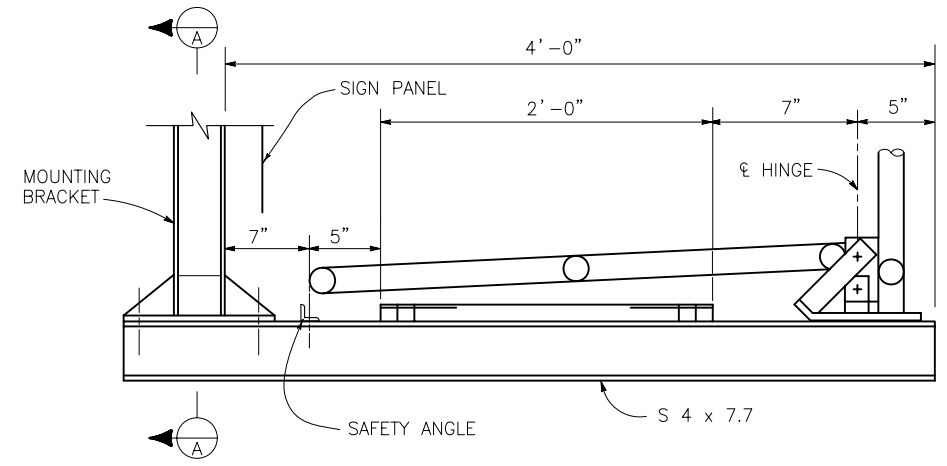
NOTES

- 1) WELDED TYPE GRATING SHALL HAVE 1 1/4" X 1/8" BEARING BARS AT 1 1/8" CENTERS WITH 1/2" DIAMETER (OR EQUAL) CROSS BARS AT 4" CENTERS. IF MECHANICAL LOCK GRATING IS USED, IT SHALL BE EQUAL IN STRENGTH TO THE WELDED TYPE. ALTERNATE HOLD-DOWN CLIPS MAY BE SUBMITTED FOR APPROVAL.
- 2) WALKWAY GRATING TO BE CONTINUOUS (NO SPLICES) OVER AS MANY WALKWAY BRACKETS AS PRACTICAL CONSISTENT WITH FABRICATION, EASE OF HANDLING AND ASSEMBLY.



WALKWAY DETAILS

SAFETY ANGLE DETAILS



TYPICAL WALKWAY SECTION

<p>Computer File Information</p> <p>Creation Date: 07-04-06 Initials: JSV Last Modification Date: 07-04-06 Initials: RD Full Path: www.dot.state.co.us/DesignSupport/ Drawing File Name: S614500814.dwg CAD Ver.: ACAD 2004 Scale: Not to Scale Units: English</p>	<p>Sheet Revisions</p> <table border="1" style="width: 100%; border-collapse: collapse;"> <thead> <tr> <th style="width: 10%;">Date:</th> <th style="width: 90%;">Comments</th> </tr> </thead> <tbody> <tr><td> </td><td> </td></tr> <tr><td> </td><td> </td></tr> <tr><td> </td><td> </td></tr> <tr><td> </td><td> </td></tr> </tbody> </table>	Date:	Comments									<p align="center">Colorado Department of Transportation</p> <p align="center"> 4201 East Arkansas Avenue Denver, Colorado 80222 Phone: (303) 757-9543 Fax: (303) 757-9820 </p> <p align="center">Safety & Traffic Engineering Branch KCM</p>	<p>MONOTUBE OVERHEAD SIGNS</p> <p>Issued By: Traffic Engineering Unit July 4, 2006</p>	<p align="center">STANDARD PLAN NO.</p> <p align="center">S-614-50</p> <p align="center">Sheet No. 8 of 14</p>
Date:	Comments													