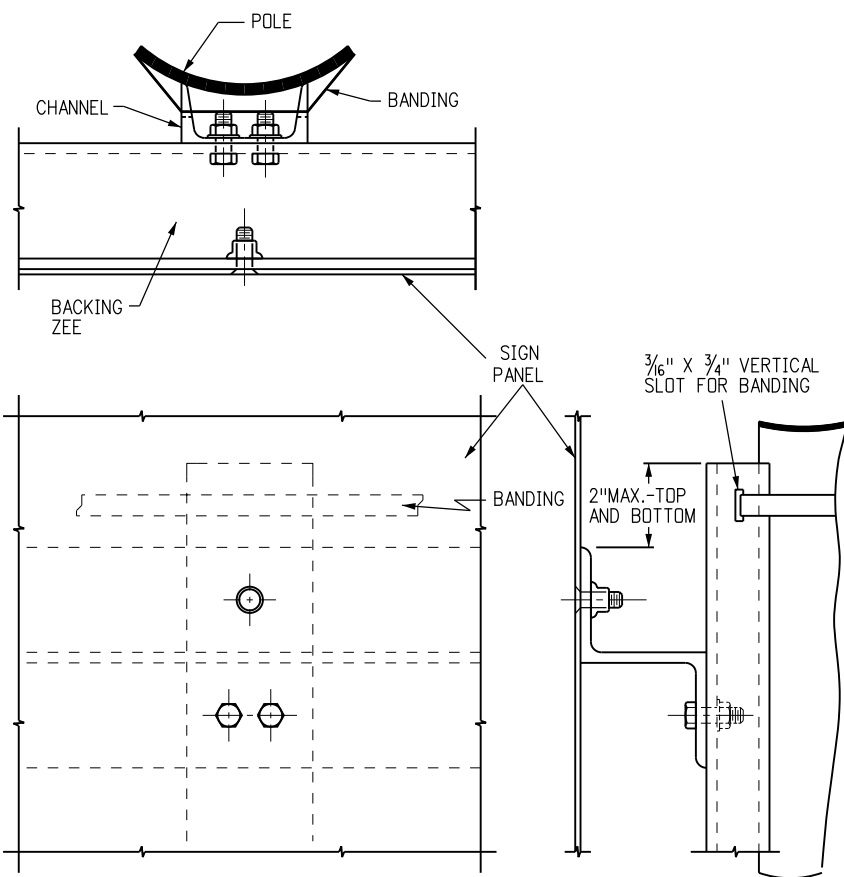


**GENERAL NOTES**

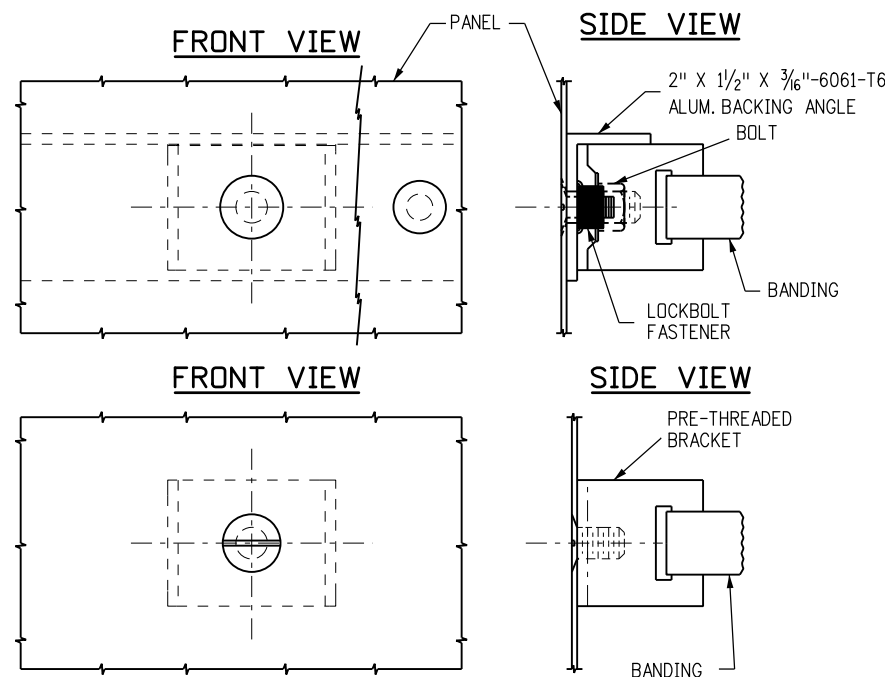
- SIGNS SHALL BE LOCATED IN ACCORDANCE WITH THE DETAILS SHOWN ON THE PLANS. SPECIAL CARE SHALL BE TAKEN TO ENSURE AN UNOBSTRUCTED VIEW OF EACH SIGN.
- BRAND-NAME ATTACHMENT HARDWARE AND BANDING MATERIAL TO BE APPROVED BY THE ENGINEER.
- FOR SIGN PANEL FABRICATION, MOUNTING HEIGHT AND HOLE SPACING FOR BACKING ZEES, SEE APPLICABLE STANDARD.
- ALL BOLTS, NUTS AND METAL WASHERS, UNLESS MADE OF STAINLESS STEEL, SHALL BE GALVANIZED OR CADMIUM PLATED.
- ALL HOLES SHALL BE DRILLED OR PUNCHED.
- BANDING SHALL BE 1/2 IN X .025 (MIN.) STAINLESS STEEL, ROUND-EDGE STRAP WITH AN ULTIMATE BREAKING STRENGTH OF 1500 LBS. (MIN.). THERE SHALL BE A MINIMUM OF TWO BANDS PER PANEL OR ASSEMBLY EXCEPT WHERE A SINGLE BACKING ANGLE IS USED.
- PANELS OF 36 IN. OR GREATER WIDTH MUST HAVE BACKING MEMBERS IN ADDITION TO BRACKETS. CLASS II PANELS OF LESS THAN 36 IN. WIDTH AND CLASS I PANELS OF GREATER THAN 24 IN. WIDTH SHOULD USE PRE-THREADED BRACKETS SIMILAR TO ALTERNATE SECTION C-C (2 SCREWS).



**FABRICATION NOTES**

- HORIZONTAL AND VERTICAL MEMBERS TO BE THE SAME MATERIAL AS THE SIGN PANEL.
- VERTICAL MEMBER TO BE 3 IN. X 1.420 LBS. 6061-T6 ALUMINUM CHANNEL BONDED TO THE POLE WITH A MINIMUM OF TWO BANDS.
- HORIZONTAL MEMBERS TO BE 3 IN. X 2 1/16 IN 2.33 IN. BACKING ZEES, FASTENED TO VERTICAL MEMBER WITH 3/8 IN. MACHINE BOLTS WITH HEX NUT.
- SIGN PANELS TO BE FASTENED TO HORIZONTAL MEMBERS WITH 3/8 IN. - 90 COUNTERSUNK LOCKBOLT FASTENERS.
- VERTICAL SPACING BETWEEN GROUPS OF PANELS IN ONE MARKER ASSEMBLY SHALL BE 4 IN.

**TYPICAL POLE MOUNT INSTALLATION FOR CLASS II MARKER ASSEMBLY**




**FABRICATION NOTES**

- SHAPES OTHER THAN THE BRACKETS OR BACKING ANGLE SHOWN MAY BE USED.
- MAXIMUM SPACING BETWEEN PANELS IN ONE ASSEMBLY SHALL BE 1 IN.
- PANELS MAY BE INSTALLED BACK-TO-BACK ON THE SAME BANDS.
- IN NO CASE SHALL BOLTS OF LESS THAN 5/16 IN. DIA. BE USED FOR ANY PORTION OF THE ASSEMBLY.
- ONLY FIBER WASHERS MAY BE USED ON THE FACE OF THE SIGN PANEL.

**TYPICAL POLE MOUNT INSTALLATION FOR CLASS I AND II SIGN PANELS**

| Computer File Information  |               |
|--|---------------|
| Creation Date: 07/04/12  | Initials: KEN |
| Last Modification Date:  | Initials:     |
| Full Path: codot.gov/library/traffic/traffic-standards/2012-s-standard-plans |               |
| Drawing File Name: S-614-20_1of1.dgn   |               |
| CAD Ver.: MicroStation V8 Scale: Not to Scale Units: English                 |               |

| Sheet Revisions |          |
|-----------------|----------|
| Date:           | Comments |
|                 |          |
|                 |          |
|                 |          |

Colorado Department of Transportation  
 2829 W Howard Place  
 Denver, Colorado 80204  
 Phone: 303-757-9543 FAX: 303-757-9219  
 Safety & Traffic Engineering KCM

**TYPICAL POLE MOUNT SIGN INSTALLATION**

Issued By: Safety & Traffic Engineering Branch July 4, 2012

**STANDARD PLAN NO.**

S-614-20

Sheet No. 1 of 1