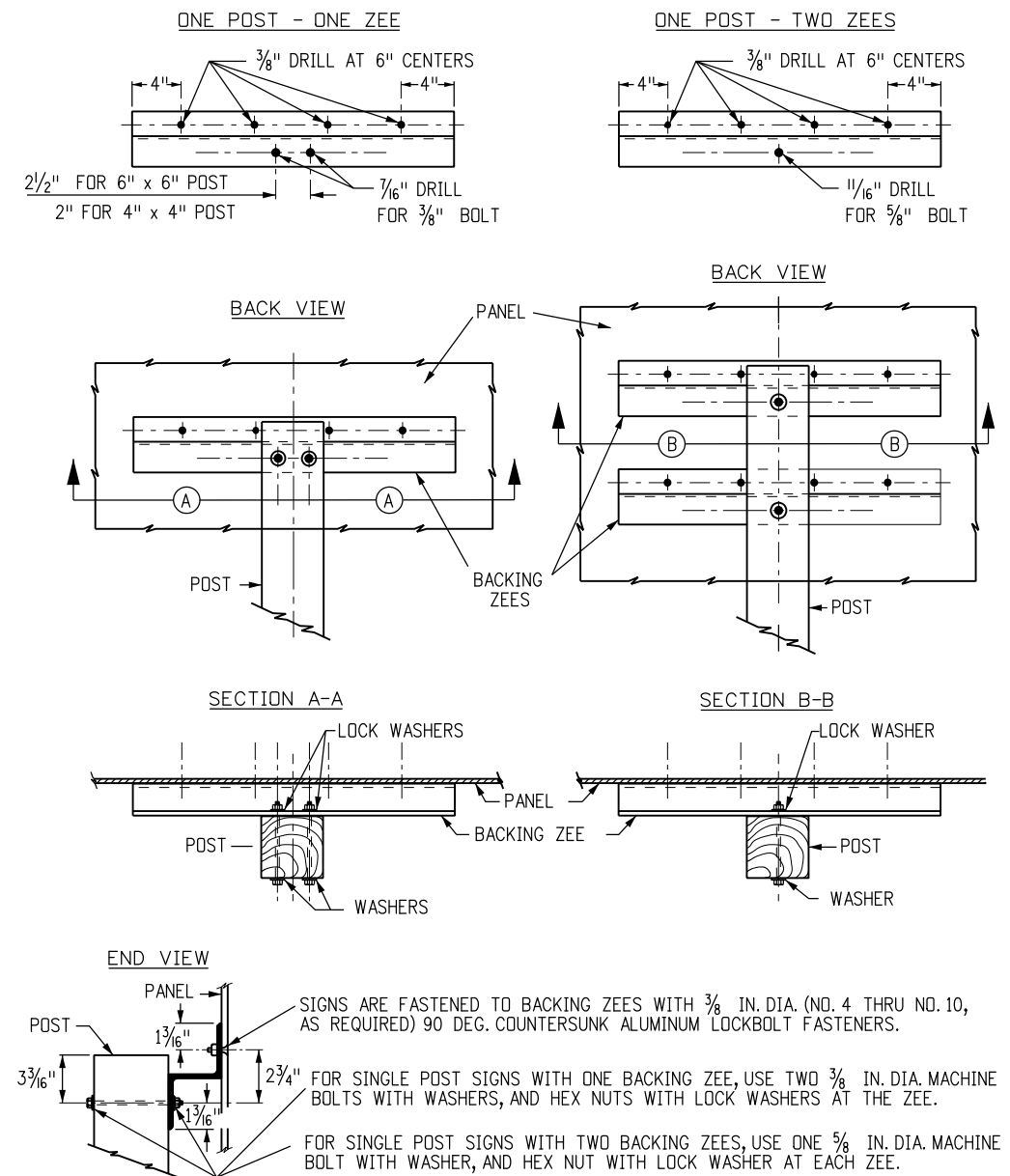


TYPICAL PANEL DETAILS

CLASS II PANEL MOUNTING DATA (*TIMBER POSTS)					
SIGN TYPE	A	B	C	D	POST SIZE
DIAMOND, 36" SIDES	49 1/16"	14 1/32"	21"	--	6" x 6"
48" SIDES	65 3/8"	20 3/16"	25"	--	6" x 6"
60" SIDES	81 1/2"	25 3/4"	30"	--	6" x 6"
TRIANGLE, 36" SIDES	29 3/16"	14 3/16"	9"	6"	4" x 4"
48" SIDES	38 3/16"	14 3/16"	18"	6"	4" x 4"
60" SIDES	48"	20"	22"	6"	6" x 6"
OCTAGON, 36" x 36"	36"	9"	18"	--	6" x 6"
48" x 48"	48"	12"	24"	--	6" x 6"
CIRCLE, 36" DIAMETER	36"	8"	20"	--	6" x 6"
PENNANT, 48" x 36" SIDES	34"	10 3/4"	15"	8 1/4"	4" x 4"
64" x 48" SIDES	45"	12 1/2"	21 1/2"	11"	6" x 6"
PENTAGON, 36" SIDES	35"	6"	20"	9"	4" x 4"
48" SIDES	46 3/4"	9"	25 3/4"	12"	6" x 6"
RECTANGLE					
WIDTH	HEIGHT				
36"	24"	24"	12"	--	4" x 4"
48"	24"	24"	12"	--	6" x 6"
36" to 60"	30"	30"	9"	12"	6" x 6"
36" to 60"	36"	36"	9"	18"	6" x 6"
36" to 60"	42"	42"	9"	24"	6" x 6"
36" to 60"	48"	48"	12"	24"	6" x 6"
48"	54"	54"	12"	30"	6" x 6"
48" to 60"	60"	60"	12"	36"	6" x 6"
SUPPLEMENTAL PANELS					
RECTANGLE, 24" x 18"	18"	9"	--	--	4" x 4" or 6" x 6"
48" x 18"	18"	9"	--	--	6" x 6"
24" x 24"	24"	12"	--	--	6" x 6"
36" x 24"	24"	12"	--	--	6" x 6"
48" x 36"	36"	9"	18"	--	6" x 6"

*FOR ADDITIONAL CLASS II SIZES THAT UTILIZE STEEL POSTS, SEE STANDARD PLAN S-614-8.



TYPICAL BACKING ZEES

GENERAL NOTES

- CLASS II SIGN PANELS ARE THOSE THAT REQUIRE AT LEAST ONE, BUT NO MORE THAN TWO BACKING ZEES (THESE WILL BE SIGN PANELS THAT ARE LESS THAN 72 IN. IN HEIGHT), UNLESS THEY ARE ATTACHED TO A CLASS III ASSEMBLY. ALL CLASS II PANELS SHALL BE 0.100 IN. MINIMUM THICKNESS SINGLE SHEET ALUMINUM.
- Z-BAR LENGTH SHALL BE 3 IN. (±1/2 IN.) SHORT OF THE EDGE OF THE SIGN ON BOTH SIDES.
- FOR TUBULAR STEEL POST INFORMATION SEE STANDARD PLAN 614-8.
- BACKING ZEES ARE 3 IN. x 2 1/16 IN. x 2.33, 6061-T6 ALUMINUM ALLOY WEIGHING 2.33 LBS. PER FOOT.
- FOR SIGN PLACEMENT SEE STANDARD PLAN S-614-1.
- ALL SIGNS SHALL BE FABRICATED USING RETROREFLECTIVE SHEETING CONFORMING TO ASTM D4956. THE TYPE SHALL BE AS DESCRIBED IN THE STANDARD SPECIFICATIONS AND/OR AS SHOWN ON THE PLANS.
- BOLTS, NUTS AND METAL WASHERS SHALL BE GALVANIZED OR CADMIUM PLATED.
- VERTICAL SPACING BETWEEN PANELS SHALL BE 1 IN. TO 1 1/2 IN.
- WASHERS ON THE TIMBER POST SHALL BE 1/2 IN. DIA.

Computer File Information	
Creation Date: 07/04/12	Initials: SCL
Last Modification Date:	Initials:
Full Path: codot.gov/library/traffic/traffic-standards/2012-s-standard-plans	
Drawing File Name: S-614-03_1of1.dgn	
CAD Ver.: MicroStation V8 Scale: Not to Scale Units: English	

Sheet Revisions	
Date:	Comments

Colorado Department of Transportation

2829 W Howard Place
Denver, Colorado 80204
Phone: 303-757-9543 FAX: 303-757-9219

Safety & Traffic Engineering KCM

CLASS II SIGNS

Issued By: Safety & Traffic Engineering Branch July 4, 2012

STANDARD PLAN NO.

S-614-3

Sheet No. 1 of 1