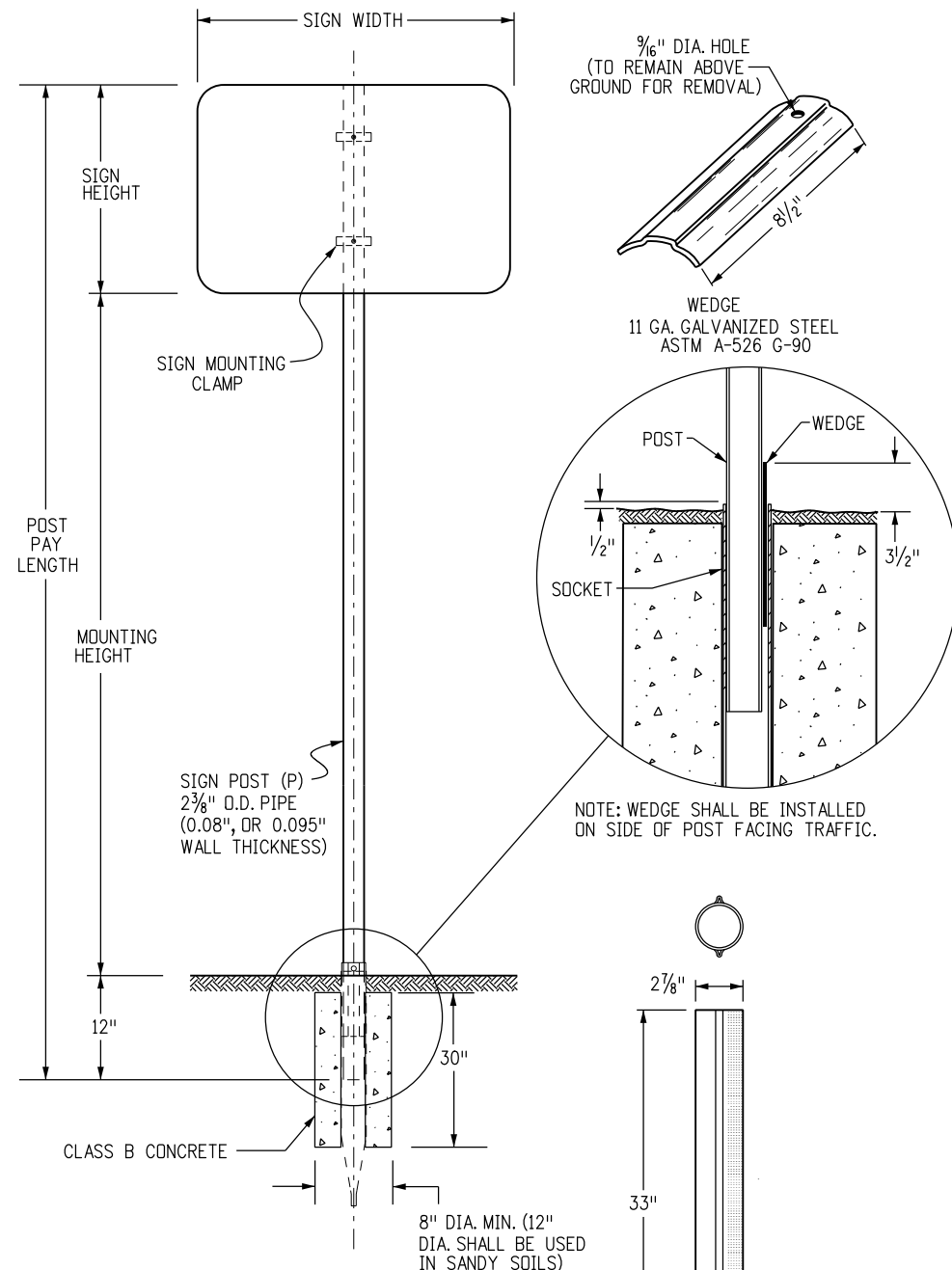


**TUBULAR STEEL POSTS  
(SOCKET SYSTEM) (FOR USE WITH ALL P-POST INSTALLATIONS)  
(SEE SHEET 2 FOR P1 AND P2 POST INSTALLATIONS)**

**SIGNPOST SELECTION GUIDE (90 MPH WIND LOAD DESIGN)  
(FOR SOCKET SYSTEM AND SLIPBASE INSTALLATIONS USING P, P1 OR P2 POSTS)**



**POST NOTES**

THE POST MAY BE PRE-PUNCHED WITH 3/16" DIA. HOLES AND THE SIGN MOUNTED DIRECTLY TO THE POST, OR AN APPROVED MOUNTING CLAMP MAY BE USED TO MOUNT THE SIGN TO THE POST. IF THE POST IS PRE-PUNCHED, THE HOLES SHALL BE SPACED THE FOLLOWING DISTANCES FROM THE TOP:

- 1", 3", 10", 16", 21", 23", 24", 27", 33", 37", 39", AND 45"

TUBULAR CONCRETE FOOTING  
12 GA. GALVANIZED STEEL ASTM - 787

SIGN HEIGHT (FT)	7' MOUNTING HEIGHT									8' MOUNTING HEIGHT									9' MOUNTING HEIGHT										
	SIGN WIDTH (FT)									SIGN WIDTH (FT)									SIGN WIDTH (FT)										
	1	2	2.5	3	4	5	6	7	8	9	1	2	2.5	3	4	5	6	7	8	9	1	2	2.5	3	4	5	6	7	8
1	P	P	P	P	P	P1	SIZES NOT USED			1	P	P	P	P	P	P1	SIZES NOT USED			1	P	P	P	P	P	P1	SIZES NOT USED		
2	P	P	P	P	P	P1	SIZES NOT USED			2	P	P	P	P	P1	P1	SIZES NOT USED			2	P	P	P	P	P1	P1	SIZES NOT USED		
2.5	P	P	P	P	P1	P1	SIZES NOT USED			2.5	P	P	P	P1	P1	P1	SIZES NOT USED			2.5	P	P	P	P1	P1	P1	SIZES NOT USED		
3	P	P	P	P1	P1	P1	SIZES NOT USED			3	P	P	P1	P1	P1	P1	SIZES NOT USED			3	P	P	P1	P1	P1	P1	SIZES NOT USED		
4	P	P1	P1	P1	P1	P1	SIZES NOT USED			4	P	P1	P1	P1	P1	P1	SIZES NOT USED			4	P	P1	P1	P1	P1	P1	SIZES NOT USED		
5	SIZES NOT USED		P1	P1	P1	P1	SIZES NOT USED			5	SIZES NOT USED		P1	P1	P1	P2	SIZES NOT USED			5	SIZES NOT USED		P1	P1	P1	P2	SIZES NOT USED		
6	SIZES NOT USED		P1	P1	P1	P2	SIZES NOT USED			6	SIZES NOT USED		P1	P1	P1	P2	SIZES NOT USED			6	SIZES NOT USED		P1	P1	P2	TWO P1'S	TWO P2'S		
7	SIZES NOT USED		P1	P1	P2	TWO P1'S	TWO P2'S		SIZE NOT USED	7	SIZES NOT USED		P1	P1	TWO P1'S	TWO P1'S	TWO P2'S		SIZE NOT USED	7	SIZES NOT USED		P1	P2	TWO P1'S	TWO P1'S	SIZES NOT USED		

SEE CHART NOTE 4.

**CHART NOTES**

- TYPICAL POST MOUNTING HEIGHTS FROM GROUND TO BOTTOM OF SIGN PANEL ARE 7, 8 OR 9 FEET. OTHER HEIGHTS MAY BE REQUIRED WHEN SIGNS ARE MOUNTED ON STEEPER FILL OR CUT SLOPES.
- FOR SIGNS MOUNTED ON TWO POSTS, THE MINIMUM DISTANCE BETWEEN POSTS SHALL BE 2 FEET AND THE MAXIMUM DISTANCE SHALL BE 8 FEET. DISTANCE FROM POST TO EDGE OF SIGN PANEL(S) SHALL BE 0 TO 4 INCHES. WHEN BACKING ZEES ARE USED, POSTS SHALL BE INSTALLED WITH A MINIMUM OF 2 INCHES TO THE EDGE OF THE BACKING ZEE.
- ALL SIGN PANELS GREATER THAN 60 INCHES IN WIDTH MUST BE MOUNTED ON TWO POSTS TO PREVENT TURNING.
- THE POST SIZES SHOWN ARE THE MINIMUM SIZES REQUIRED. TWO P1 POSTS MAY BE SUBSTITUTED WHERE ONE P2 POST IS INDICATED. P2 POSTS MAY BE SUBSTITUTED FOR P1 POSTS WHEN DIRECTED BY THE ENGINEER.

**GENERAL NOTES**

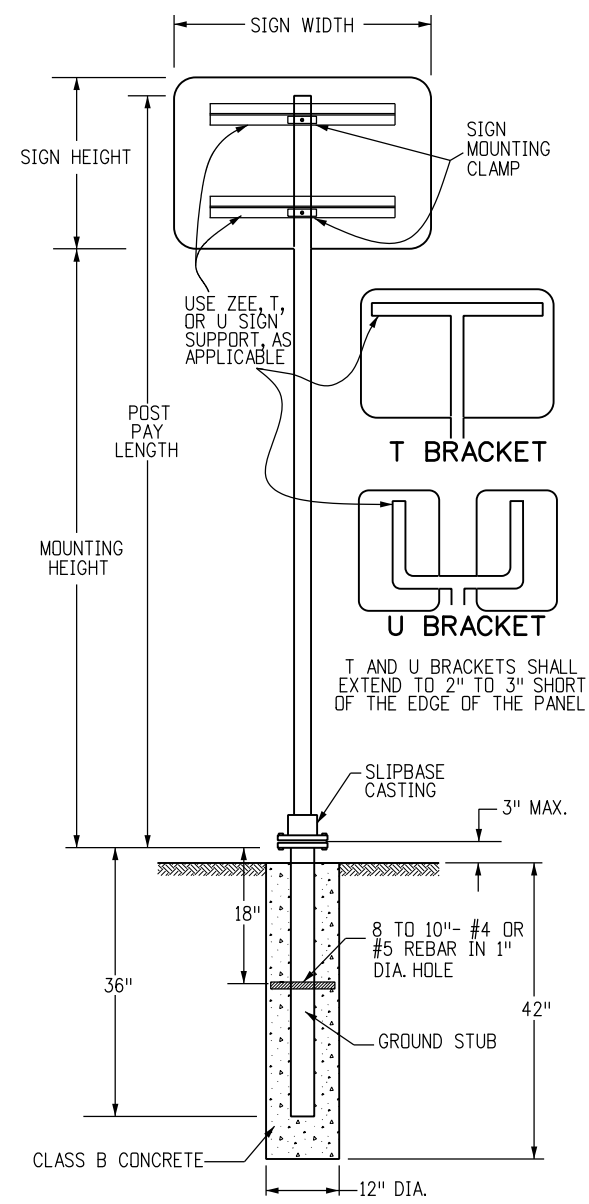
- SIGNS BETWEEN 37 IN. AND 60 IN. WIDTH WITH ONE POST INSTALLATION REQUIRE A T OR U SIGN SUPPORT BRACKET IN ADDITION TO THE BACKING ZEE REQUIREMENTS. WHEN DIRECTED BY THE ENGINEER, SIGN PANELS LESS THAN 48 IN. IN WIDTH MAY ATTACHED DIRECTLY TO T OR U BRACKETS WITHOUT ZEES.
- U-BRACKETS MAY BE USED FOR MULTIPLE SIGN INSTALLATIONS.
- FOR BACKING ZEE REQUIREMENTS AND DETAILS, SEE STANDARD PLANS S-614-3 AND S-614-4.

**POST SPECIFICATIONS**

POST SIZE	OUTSIDE DIAMETER	WALL THICKNESS	MATERIAL	** COATING	MAX ALLOW MOMENT	PAID FOR AS:
P	2.375"	.080"	ASTM-513	ASTM A-653 G-210 WITH 3.0 MIL POLYMER COATING PER ASTM A123 CLEAR COATING	1.47 KIP FT	STEEL SIGN SUPPORT (2 INCH ROUND)
P1	2.875"	.160"	ASTM-513	GC HOT DIPPED PER ASTM-123	4.02 KIP FT	STEEL SIGN SUPPORT (2 1/2 INCH ROUND NP-40)
P2	2.875"	.276"	ASTM-500	GC HOT DIPPED PER ASTM-123	5.13 KIP FT	STEEL SIGN SUPPORT (2 1/2 INCH ROUND SCH 80)

\*\* COLOR POWDER COATING MAY BE ADDED ACCORDING TO MANUFACTURER SPECIFICATIONS FOR SPECIAL LOCATIONS WHEN SHOWN ON THE PLANS.

<b>Computer File Information</b>	<b>Sheet Revisions</b>	<b>Colorado Department of Transportation</b>	<b>TUBULAR STEEL SIGN SUPPORT DETAILS</b>	<b>STANDARD PLAN NO.</b>
Creation Date: 07/04/12 Initials: KEN	Date: 03/05/13 Comments: SHTS 1 & 2 - UPDATED DETAIL TITLES	<p>2829 W Howard Place Denver, Colorado 80204 Phone: 303-757-9543 FAX: 303-757-9219</p>	<b>S-614-8</b>	<b>Sheet No. 1 of 7</b>
Last Modification Date: 03/05/13 Initials: NNC				
Full Path: www.coloradodot.info/library/traffic/traffic-s-standard-plans				
Drawing File Name: S-614-08.dgn				
CAD Ver.: MicroStation V8i Scale: Not to Scale Units: English		<b>Safety &amp; Traffic Engineering</b>	<b>Issued By: Safety &amp; Traffic Engineering Branch July 4, 2012</b>	



**TUBULAR STEEL POST  
(WITH SLIPBASE)  
(FOR USE WITH ALL P1 AND  
P2 POST INSTALLATIONS)  
(SEE SHEET 1 FOR P-POST INSTALLATIONS)**

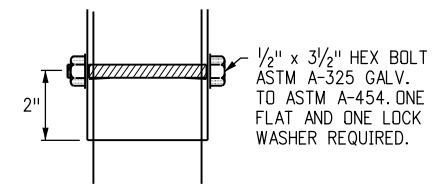
**GENERAL NOTE**

THE CONTRACTOR SHALL INSTALL THE POSTS PER THE MANUFACTURER'S RECOMMENDATIONS WITHOUT ADDITIONAL COMPENSATION.

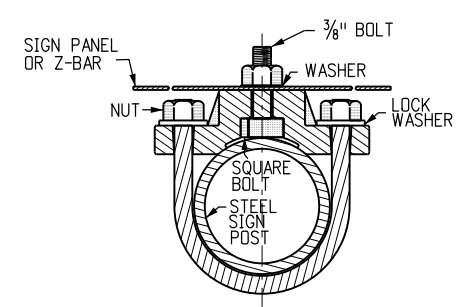
**DIMENSIONS FOR MOUNTING CLAMP (ALL DIMENSION ARE IN INCHES)**

STANDARD PIPE SIZE	A	B	C	D	E	F	G	K	L	R <sub>1</sub>	R <sub>2</sub>
2	3 3/4	2 3/4	1 1/2	1 1/8	1/2	3/16	1	2 1/16	1 1/32	1/4	1 3/16
2 1/2	4 1/4	3 1/4	2	1 1/4	1/2	1/4	1	3 3/16	1 5/32	1/2	1 7/16

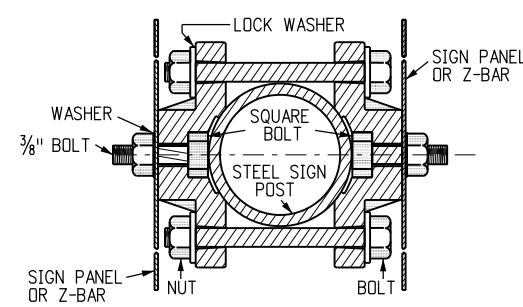
**T AND U BRACKET ATTACHMENT**



**TYPICAL SINGLE BRACKET**



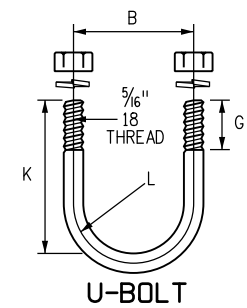
**TYPICAL BACK TO BACK**



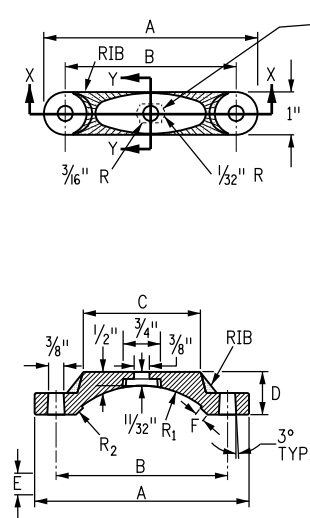
**DETAILS FOR SIGN PANEL ATTACHMENT**

**PIPE CLAMP CASTING**

PIPE CLAMP CASTING SHALL BE ASTM B26 OR B108 ALUMINUM ALLOY A444.0-T4 OR 356.0-F. ALL SIGN MOUNTING CLAMP PARTS NOT MADE FROM ALUMINUM SHALL BE GALVANIZED STEEL IN CONFORMANCE WITH ASTM A153 OR STAINLESS STEEL.



U-BOLT TO BE MADE IN ACCORDANCE WITH STANDARD MANUFACTURING PROCEDURE. 1/4" OR 5/18" DIAMETER STOCK IS PERMISSIBLE. AMERICAN STANDARD REGULAR SEMI-FINISHED HEX NUTS AND SPRING LOCKWASHERS.



SLOT TO HOLD HEAD OF 3/8" HEX HEAD BOLT. THE BOLT SHALL BE 1/4" LONG, WITH FULL THREADS, A MEDIUM WASHER, AND GALVANIZED STEEL OR ALUMINUM SELF-LOCKING HEX HEAD NUT. THE BOLT HEAD MUST NOT TURN IN THE SLOT.

**MOUNTING CLAMP FOR SOCKET OR SLIPBASE**

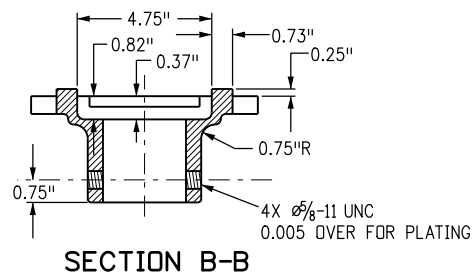
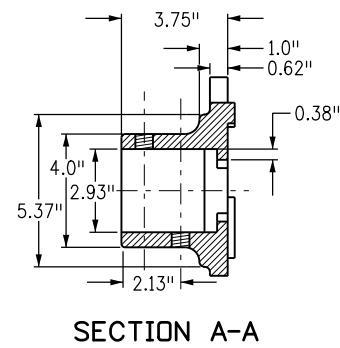
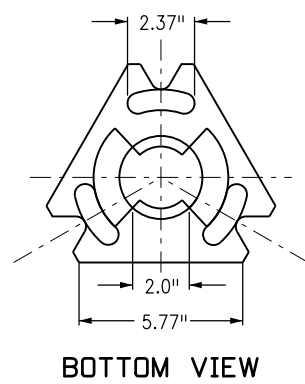
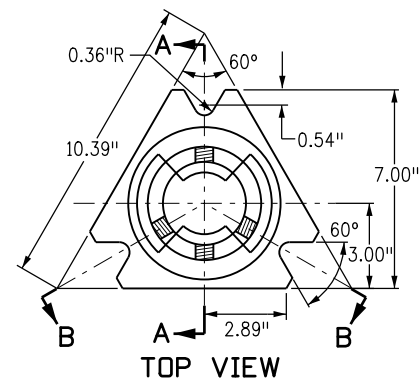
Computer File Information	
Creation Date: 07/04/12	Initials: SCL
Last Modification Date: 10/23/14	Initials: KEN
Full Path: www.coloradodot.info/library/traffic/traffic-s-standard-plans	
Drawing File Name: S-614-08.dgn	
CAD Ver.: MicroStation V8i Scale: Not to Scale Units: English	

Sheet Revisions	
Date:	Comments
03/05/13	UPDATED DETAIL TITLES
10/23/14	MOVED SLIPBASE DETAILS TO SHEET 3

Colorado Department of Transportation  
 2829 W Howard Place  
 Denver, Colorado 80204  
 Phone: 303-757-9543 FAX: 303-757-9219  
 Safety & Traffic Engineering KCM

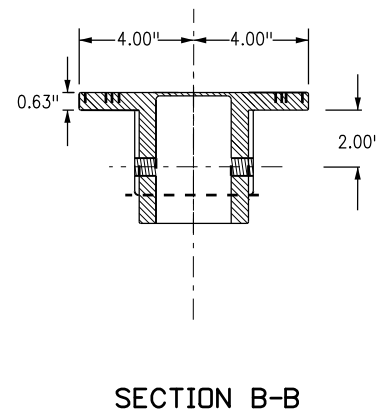
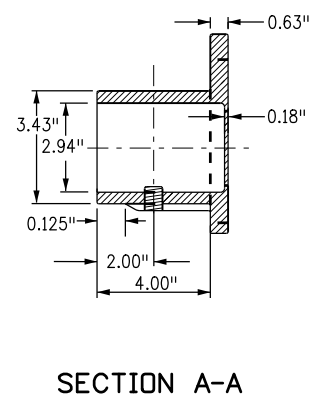
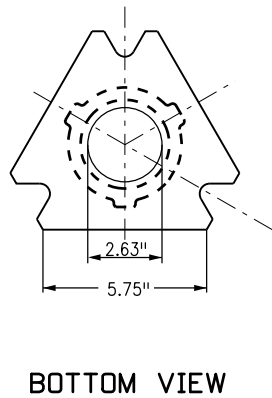
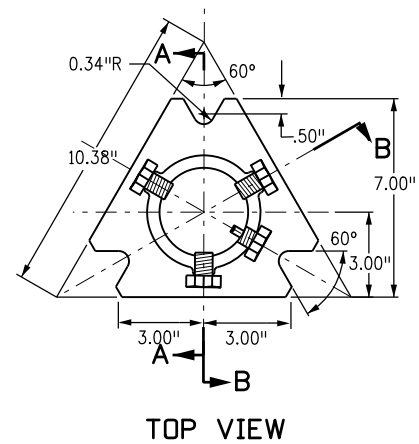
**TUBULAR STEEL SIGN  
SUPPORT DETAILS**  
 Issued By: Safety & Traffic Engineering Branch July 4, 2012

**STANDARD PLAN NO.**  
 S-614-8  
 Sheet No. 2 of 7



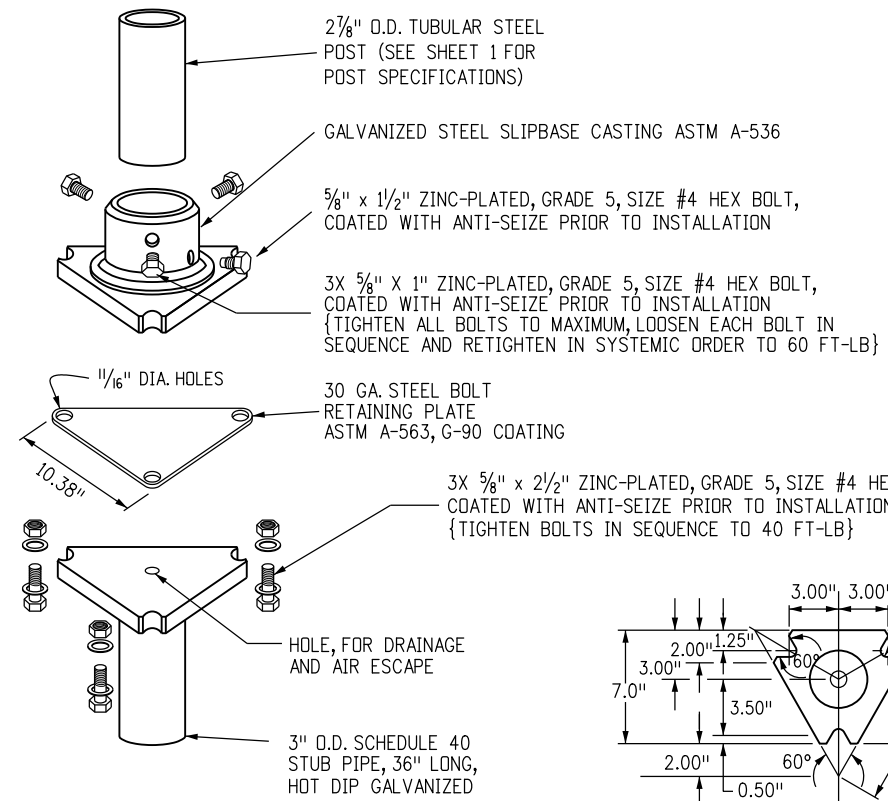
**SLIPBASE CASTING 1**

DIRECTION OF TRAVEL

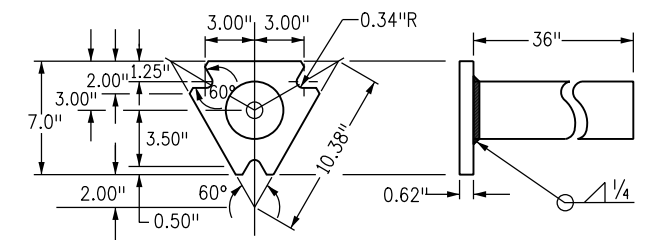


**SLIPBASE CASTING 2**

DIRECTION OF TRAVEL



**TYPICAL ASSEMBLY**



**SLIPBASE STUB BASE**

**SLIPBASE CASTING REQUIREMENTS**

FOR 2-7/8 INCH POSTS (P1 OR P2 POSTS)  
GALVANIZED STEEL SLIPBASE CASTING ASTM-536

**MOUNTING HARDWARE**

- 3 - EACH 5/8" x 2 1/2" INCH LONG HEX BOLT
- 3 - EACH 5/8" x 1" INCH LONG ZINC-PLATED, GRADE 5 SIZE #4 HEX BOLT
- 1 - EACH 5/8" x 1 1/2" INCH LONG ZINC-PLATED, GRADE 5 SIZE #4 HEX BOLT
- 1 - EACH 30 GAUGE STEEL BOLT RETAINING PLATE ASTM A-563, G-90 COATING

**INSTALLATION REQUIREMENTS**

ALL HEX BOLTS SHALL BE COATED WITH ANTI-SEIZE PRIOR TO INSTALLATION

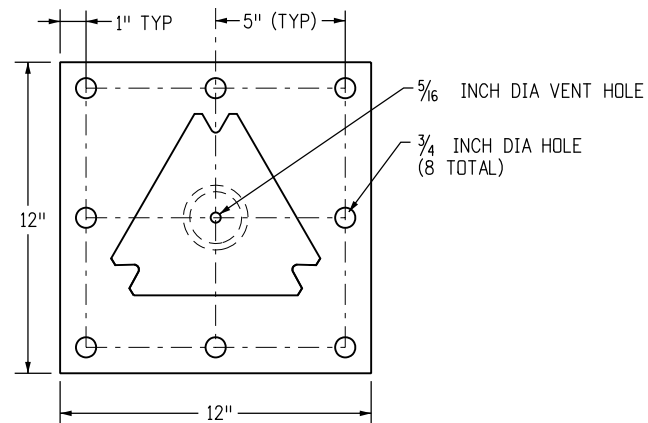
ALL HARDWARE WILL BE GALVANIZED OR ZINC PLATED.

**TUBULAR STEEL SIGN SUPPORT SLIPBASE NOTES**

1. REFER TO SIGNING PLANS FOR SIGN LOCATIONS AND HEIGHT
2. MINIMUM ALLOWABLE TENSION CAPACITY FOR WEDGE ANCHORS = 3000 LBS.
3. MAXIMUM ALLOWABLE MOMENT FOR SIGN BASE = 5.13 kip-ft.
4. PAY ITEM "STEEL SIGN SUPPORT(X-INCH ROUND)(SLIPBASE)" SHALL INCLUDE STUB BASE, CASTING AND NECESSARY HARDWARE (SLIPBASE CASTING MOUNTING HARDWARE AS SHOWN ON STD S-614-8, SHEET 3)
5. PAY ITEM "STEEL SIGN SUPPORT CASTING" SHALL INCLUDE CASTING AND NECESSARY MOUNTING HARDWARE (SLIPBASE CASTING MOUNTING HARDWARE AS SHOWN ON STD S-614-8, SHEET 3)
6. PAY ITEM "STEEL SIGN GROUND STUB BASE (36)" SHALL INCLUDE SLIPBASE STUB BASE

**STEEL SIGN SUPPORT SLIPBASE INSTALLATION**

<b>Computer File Information</b>		<b>Sheet Revisions</b>		<p>Colorado Department of Transportation 2829 W Howard Place Denver, Colorado 80204 Phone: 303-757-9543 FAX: 303-757-9219 Safety &amp; Traffic Engineering KCM</p>	<p><b>TUBULAR STEEL SIGN SUPPORT DETAILS</b></p> <p>Issued By: Safety &amp; Traffic Engineering Branch July 4, 2012</p>	<p><b>STANDARD PLAN NO.</b></p> <p>S-614-8</p> <p>Sheet No. 3 of 7</p>
Creation Date: 07/04/12	Initials: KEN	Date:	Comments			
Last Modification Date: 04/12/18	Initials: DINARDO	(R-1) 10/23/14	NEW SHEET. INCLUDES SLIP BASE DETAILS PLUS 4" BASE PLATE DETAIL			
Full Path: www.coloradodot.info/library/traffic/traffic-s-standard-plans		(R-2) 04/01/16	UPDATES TO RETRO-FIT HARDWARE			
Drawing File Name: S-614-08.dgn		(R-3) 12/01/16	ADDED DETAILS FOR SLIPBASE 2			
CAD Ver.: MicroStation V8i	Scale: Not to Scale Units: English	(R-4) 04/12/18	ADDED TORQUE VALUES NEW PAY ITEM FOR SLIPBASE CASTING			



**SURFACE MOUNT SLIPBASE BASE PLATE FABRICATION REQUIREMENTS**

BASE PLATE - 3/4 INCH ASTM A 36 PLATE STEEL  
 PIPE STUB - 3 INCH NOMINAL SCHEDULE 80, ASTM A-500 GRADE B  
 TOP PLATE - MEET REQUIREMENTS OF STD PLAN NO. S-614-8, SHEET 3  
  
 MEET ASTM A-123 GALVANIZING AFTER FABRICATION IS COMPLETE

**SURFACE MOUNT SLIPBASE TUBULAR STEEL SIGN BASE REQUIREMENTS**

FOR 2-7/8 INCH POSTS (P1 OR P2 POSTS)  
 FOR CONCRETE SURFACES GREATER THAN 7 INCHES THICK  
 FOR CONCRETE SURFACES GREATER THAN 12 INCHES IN WIDTH

MOUNTING HARDWARE

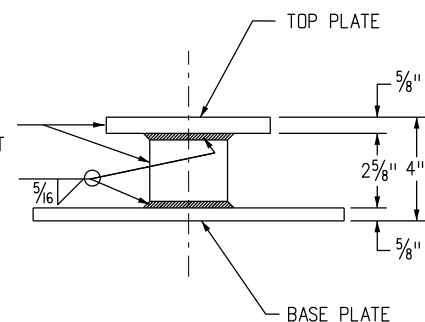
- 8 - EACH 5/8 x 5/2 INCH LONG "HILTI KWIK HUS-EZ SCREW ANCHORS
- 16 - EACH 5/8 INCH FLAT WASHERS
- 8 - EACH 5/8 INCH LOCK WASHERS
- 8 - EACH 5/8 INCH NUTS

INSTALLATION REQUIREMENTS:

DRILL: (8) - 5/8 INCH HOLES 6 INCH DEEP, CLEAN HOLE PRIOR TO INSTALLING ANCHORS  
  
 USE ADDITIONAL WASHERS FOR SHIMMING TO LEVEL BASE PLATE.

ALL HARDWARE WILL BE GALVANIZED OR ZINC PLATED.

SLIPBASE WILL MEET REQUIREMENTS OF STD PLAN NO. S-614-8 SLIPBASE STUB POST DETAIL EXCEPT FOR OVERALL HEIGHT



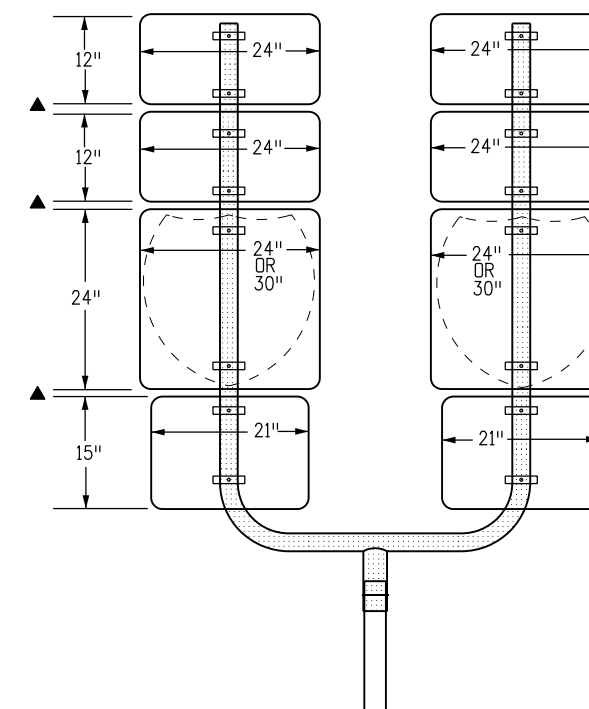
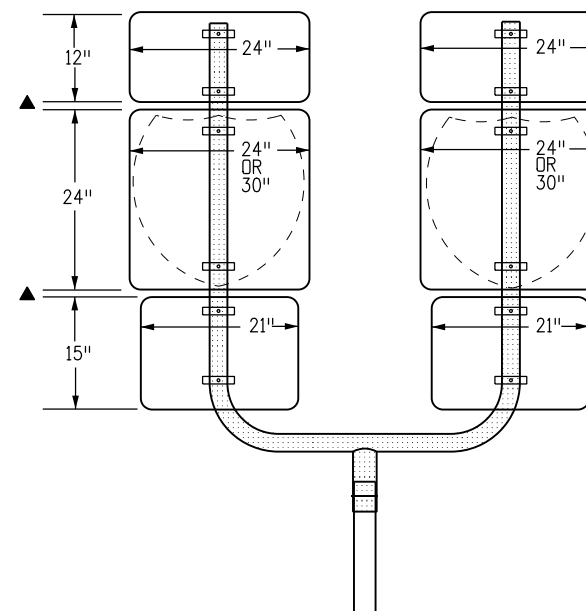
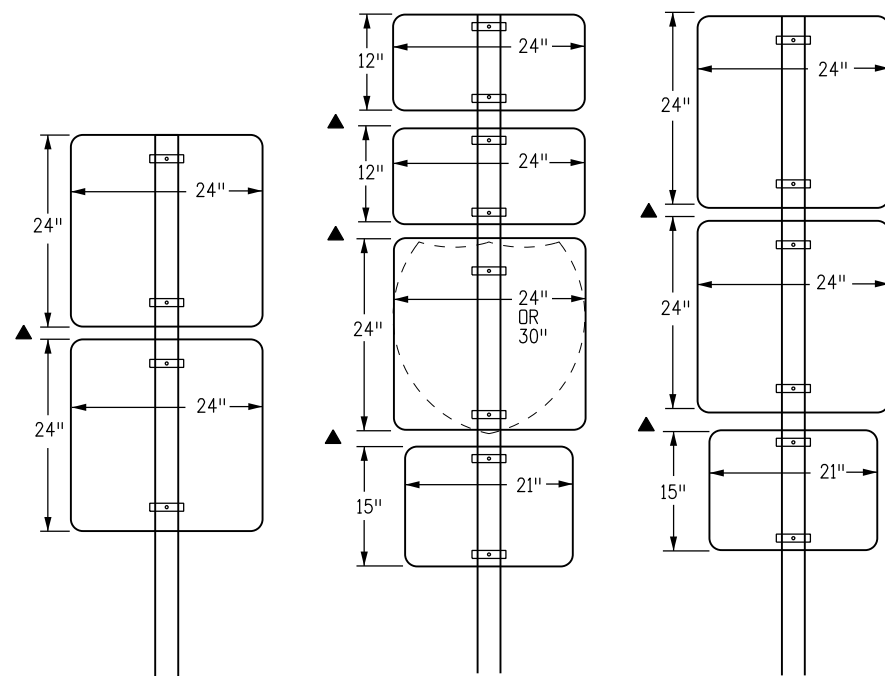
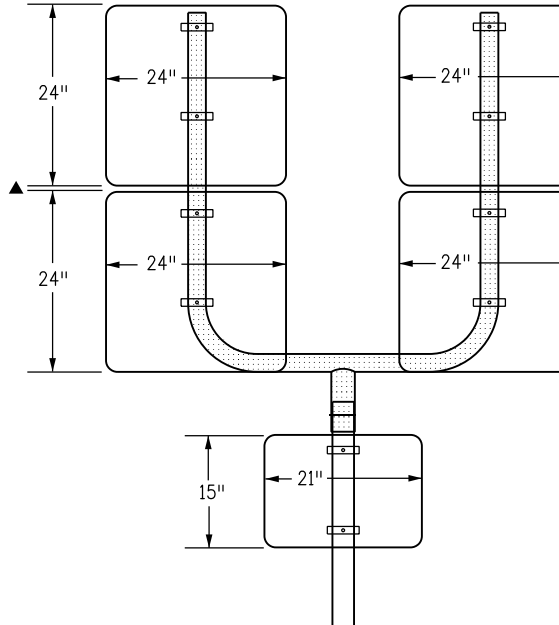
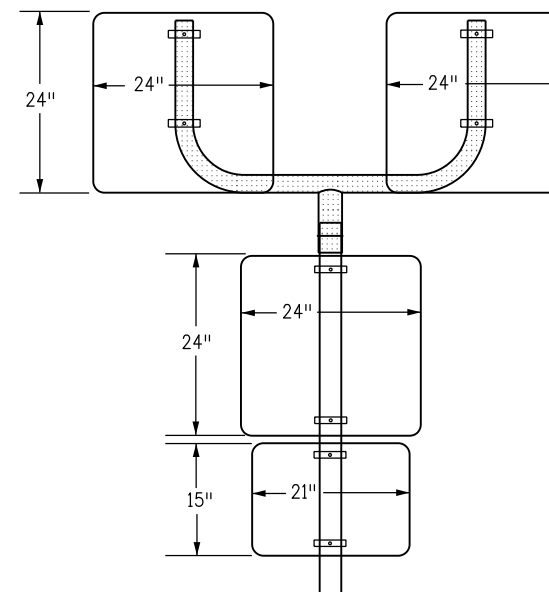
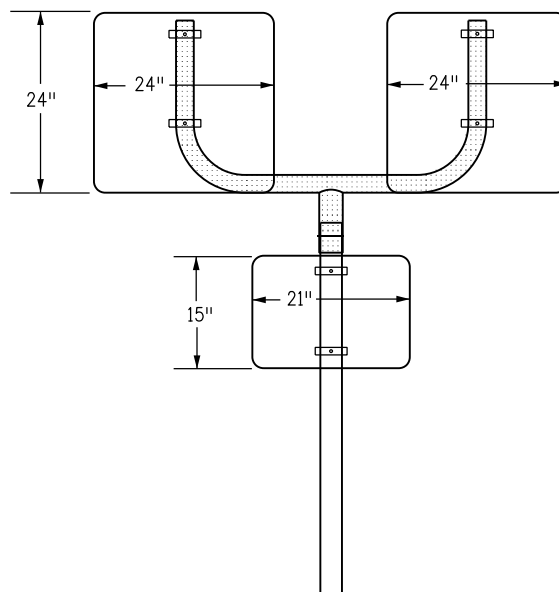
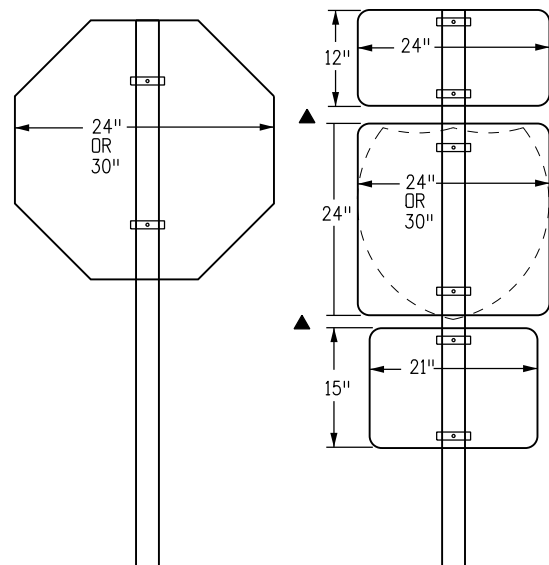
**SURFACE MOUNT SLIPBASE BASE PLATE**

**TUBULAR STEEL SIGN SUPPORT SURFACE MOUNT SLIPBASE NOTES**

1. REFER TO SIGNING PLANS FOR SIGN LOCATIONS AND HEIGHT
2. REFER TO STD PLAN NO. S-614-8, SHEET 3 FOR SLIPBASE CASTING INFORMATION
3. MINIMUM ALLOWABLE TENSION CAPACITY FOR WEDGE ANCHORS = 3000 LBS.
4. MAXIMUM ALLOWABLE MOMENT FOR SIGN BASE = 5.13 kip-ft.
5. PAY ITEM "STEEL SIGN SURFACE MOUNT BASE PLATE (SLIPBASE)" SHALL INCLUDE BASE PLATE, CASTING AND ALL NECESSARY HARDWARE (SLIPBASE CASTING MOUNTING HARDWARE AS SHOWN ON STD S-614-8, SHEET 3 AND SURFACE MOUNT SLIPBASE MOUNTING HARDWARE AS SHOWN ON STD 6-14-8, SHEET 4)
6. PAY ITEM "STEEL SIGN SURFACE MOUNT BASE PLATE" SHALL INCLUDE BASE PLATE AND NECESSARY HARDWARE (SURFACE MOUNT SLIPBASE MOUNTING HARDWARE AS SHOWN ON STD S-614-8, SHEET 4)

**SURFACE MOUNT SLIPBASE INSTALLATION**


<b>Computer File Information</b>		<b>Sheet Revisions</b>		<p>Colorado Department of Transportation          2829 W. Howard Place          Denver, Colorado 80204          Phone: 303-757-9543 FAX: 303-757-9219</p> <p><b>Safety &amp; Traffic Engineering</b>      <b>KCM</b></p>	<p><b>TUBULAR STEEL SIGN</b></p> <p><b>SUPPORT DETAILS</b></p> <p>Issued By: Safety &amp; Traffic Engineering Branch July 4, 2012</p>	<b>STANDARD PLAN NO.</b>
Creation Date: 04/12/18	Initials: DINARDD	Date:	Comments:			S-614-8
Last Modification Date:	Initials:					Sheet No. 4 of 7
Full Path: www.coloradodot.info/library/traffic/traffic-s-standard-plans						
Drawing File Name: S-614-08.dgn						
CAD Ver.: MicroStation V8i	Scale: Not to Scale	Units: English				

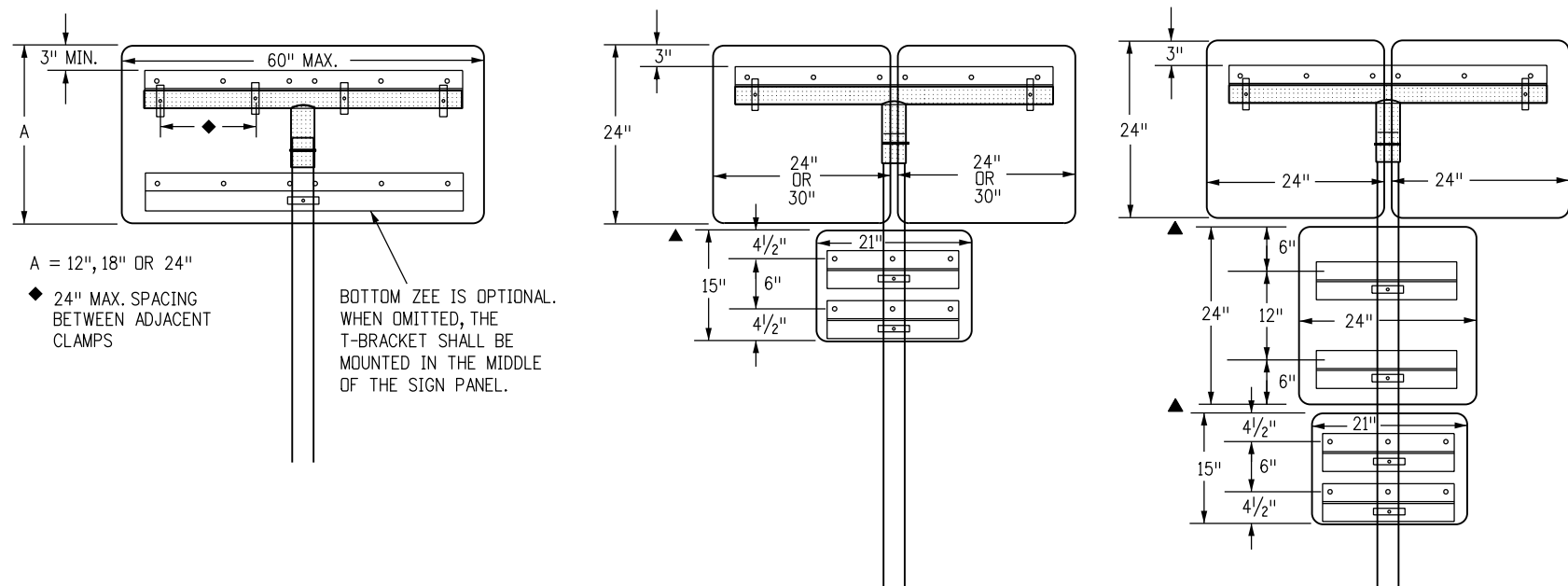


**CLASS I SIGN COMBINATIONS (DIRECT ATTACHMENT)**

**CLASS I SIGN COMBINATIONS USING U-BRACKETS**

▲ SEE NOTE 6 ON SHEET 5

<b>Computer File Information</b> Creation Date: 07/04/12 Initials: KEN Last Modification Date: Initials: Full Path: www.coloradodot.info/library/traffic/traffic-s-standard-plans Drawing File Name: S-614-08.dgn CAD Ver.: MicroStation V8i Scale: Not to Scale Units: English		<b>Sheet Revisions</b> <table border="1"> <thead> <tr> <th>Date:</th> <th>Comments</th> </tr> </thead> <tbody> <tr><td> </td><td> </td></tr> <tr><td> </td><td> </td></tr> <tr><td> </td><td> </td></tr> </tbody> </table>		Date:	Comments							Colorado Department of Transportation  2829 W Howard Place Denver, Colorado 80204 Phone: 303-757-9543 FAX: 303-757-9219 <b>Safety &amp; Traffic Engineering</b> KCM		<b>TUBULAR STEEL SIGN SUPPORT DETAILS</b> Issued By: Safety & Traffic Engineering Branch July 4, 2012		<b>STANDARD PLAN NO.</b> S-614-8 Sheet No. 5 of 7	
Date:	Comments																



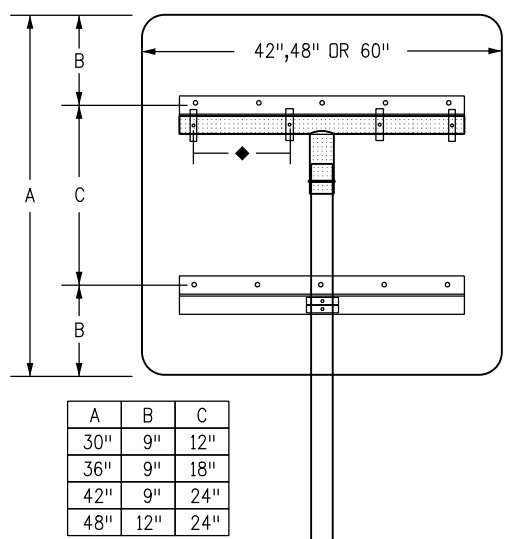
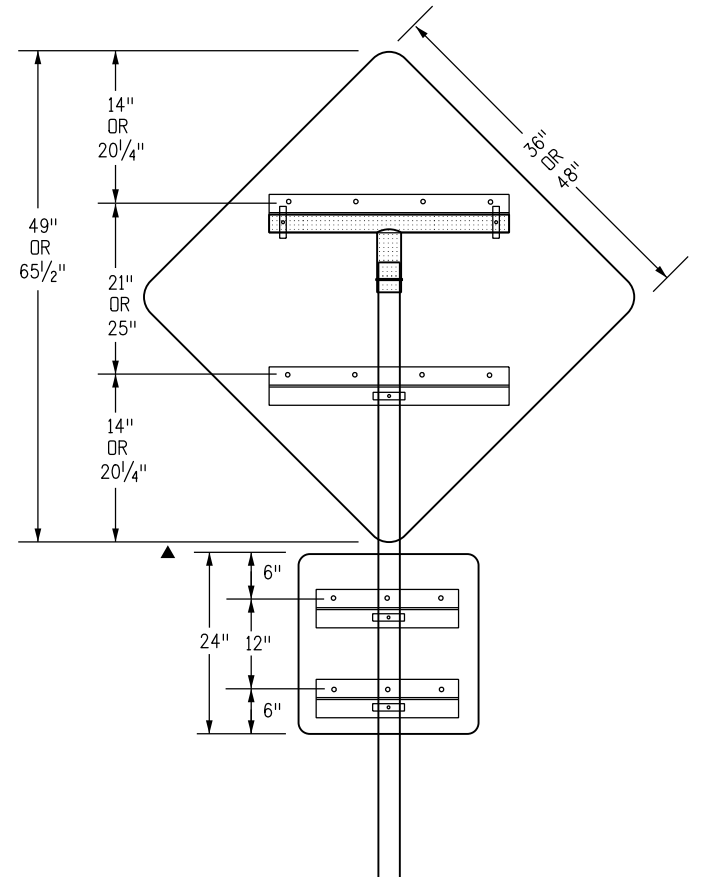
A = 12", 18" OR 24"  
 ◆ 24" MAX. SPACING BETWEEN ADJACENT CLAMPS

BOTTOM ZEE IS OPTIONAL. WHEN OMITTED, THE T-BRACKET SHALL BE MOUNTED IN THE MIDDLE OF THE SIGN PANEL.

PANEL WIDTHS	ZEE LENGTH
21"	15"
24"	18"
30"	24"
36"	30"
42"	36"
45"	39"
48"	42"
54"	48"
60"	54"
36" DIAMOND	22"
48" DIAMOND	36"
24" & 24"	43"
24" & 30"	49"
30" & 30"	55"
36" & 36"	67"
45" & 36"	76"
24" & 24" & 24"	68"
24" & 24" & 30"	74"
24" & 30" & 24"	74"
30" & 24" & 30"	80"
24" & 30" & 30"	80"
30" & 30" & 30"	86"

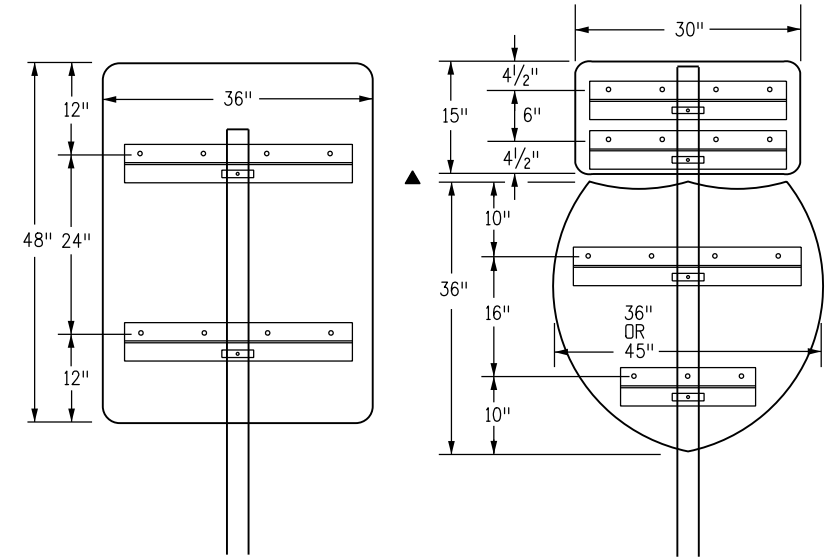
**GENERAL NOTES**

- Z-BAR LENGTH SHALL BE 3 IN. ( $\pm 1/2$  IN.) SHORT OF THE EDGE OF THE SIGN OR ROW OF SIGNS ON BOTH SIDES. THE ACCOMPANYING TABLE GIVES THE Z-BAR LENGTH FOR MOST TYPICAL PANEL COMBINATIONS.
- FIRST AND LAST HOLES SHALL BE 2 IN. FROM EDGE OF Z-BAR. THE HOLES IN BETWEEN SHALL BE 6 IN. TO 8 IN. APART.
- T AND U BRACKETS SHALL TERMINATE 2 IN. TO 3 IN. FROM EDGE OF SIGN PANEL. WHEN A ZEE IS CONNECTED TO A T-BRACKET, THEY SHALL BE THE SAME LENGTH EXCEPT WHEN THE ZEE MUST EXTEND BEYOND THE MAXIMUM LENGTH OF A T-BRACKET.
- TWO MOUNTING CLAMPS ARE REQUIRED ON ZEES WHERE THERE IS ONLY ONE ZEE FOR THE PANEL AND THE ZEE IS ATTACHED TO ONLY ONE POST.
- ZEES SHALL BE ATTACHED TO T-BRACKETS AND U-BRACKETS WITH U-BOLTS OR MOUNTING CLAMPS.
- VERTICAL SPACING BETWEEN SIGN PANELS SHALL BE 1 IN. TO  $1 1/2$  IN. TYPICAL.
- IN SPECIAL CASES U-BRACKETS MAY BE USED TO MOUNT SIGNS THAT FACE DIFFERENT DIRECTIONS. THE ENGINEER SHALL DETERMINE THE ORIENTATION OF THE SIGN PANELS AND VERIFY THAT THE MAXIMUM ALLOWABLE WIND LOADS FOR THE POST ARE NOT EXCEEDED.



A	B	C
30"	9"	12"
36"	9"	18"
42"	9"	24"
48"	12"	24"

◆ 24" MAX. SPACING BETWEEN ADJACENT CLAMPS




**CLASS II SIGN COMBINATIONS USING T-BRACKETS WITH Z-BAR**

**SINGLE POST CLASS II SIGNS USING Z-BAR**

Computer File Information	
Creation Date: 07/04/12	Initials: KEN
Last Modification Date:	Initials:
Full Path: www.coloradodot.info/library/traffic/traffic-s-standard-plans	
Drawing File Name: S-614-08.dgn	
CAD Ver.: MicroStation V8i Scale: Not to Scale Units: English	

Sheet Revisions	
Date:	Comments

Colorado Department of Transportation



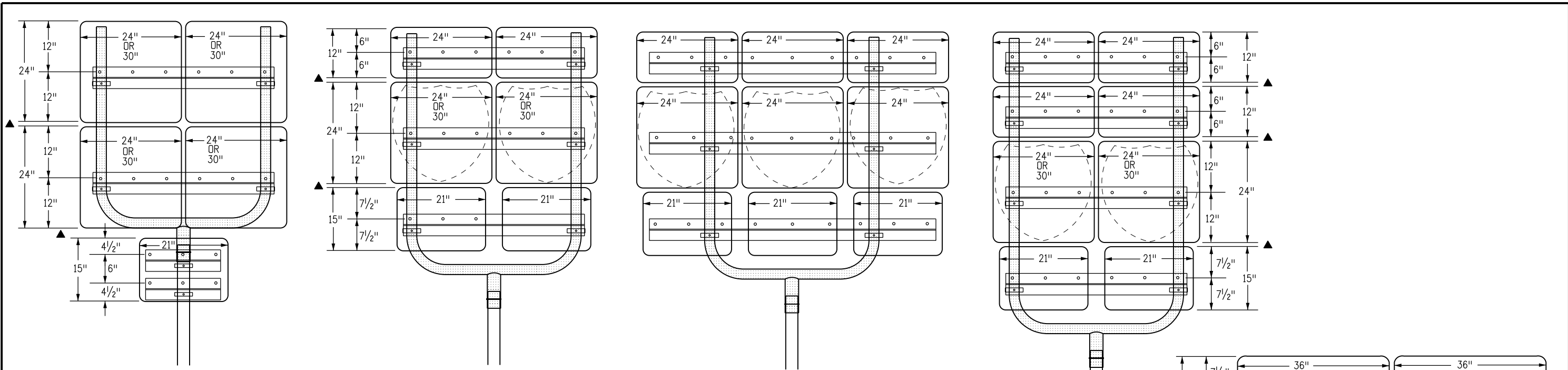
2829 W Howard Place  
 Denver, Colorado 80204  
 Phone: 303-757-9543 FAX: 303-757-9219

Safety & Traffic Engineering KCM

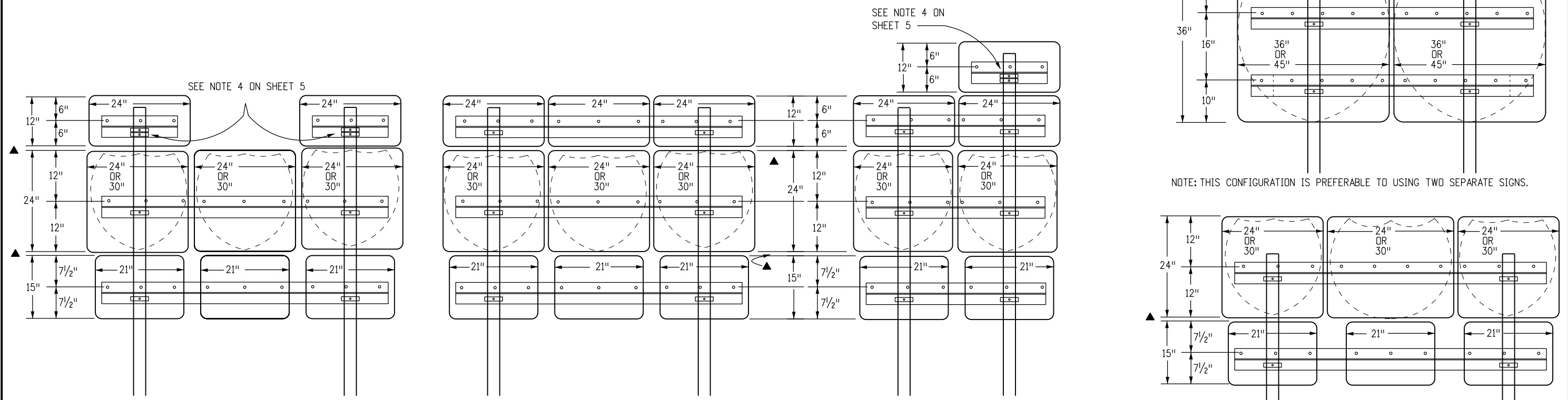
**TUBULAR STEEL SIGN SUPPORT DETAILS**

Issued By: Safety & Traffic Engineering Branch July 4, 2012

STANDARD PLAN NO.
S-614-8
Sheet No. 6 of 7



CLASS II SIGN COMBINATIONS USING U-BRACKETS



CLASS II SIGN COMBINATIONS USING TWO POSTS

NOTE: THIS CONFIGURATION IS PREFERABLE TO USING TWO SEPARATE SIGNS.


**Computer File Information**

Creation Date: 07/04/12	Initials: KEN
Last Modification Date:	Initials:
Full Path: www.coloradodot.info/library/traffic/traffic-s-standard-plans	
Drawing File Name: S-614-08.dgn	
CAD Ver.: MicroStation V8i Scale: Not to Scale Units: English	

**Sheet Revisions**

Date:	Comments:

Colorado Department of Transportation



2829 W. Howard Place  
 Denver, Colorado 80204  
 Phone: 303-757-9543 FAX: 303-757-9219

Safety & Traffic Engineering KCM

**TUBULAR STEEL SIGN  
 SUPPORT DETAILS**

Issued By: Safety & Traffic Engineering Branch July 4, 2012

**STANDARD PLAN NO.**

S-614-8

Sheet No. 7 of 7