

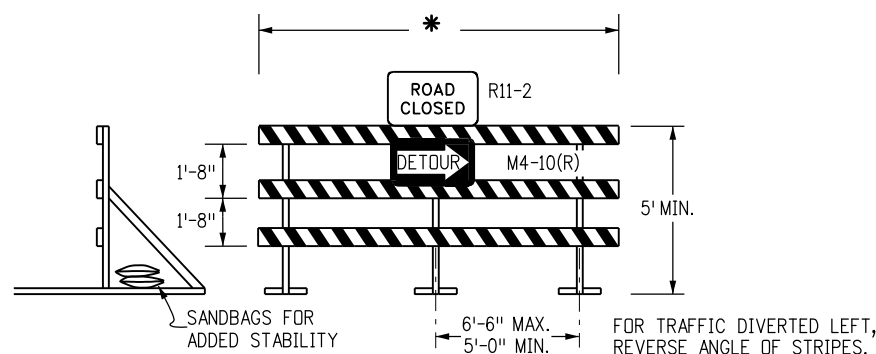
FIXED

*** RAIL LENGTH TABLE**

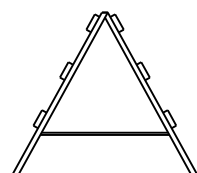
TYPE 3 BARRICADE		LENGTH
FIXED	MOVABLE	
F - A	M - A	8'- 14'
F - B	M - B	15'- 24'
F - C	M - C	25'- 35'
F - D	M - D	> 35'

NOTES

- TYPE 3 BARRICADES HAVE 3 REFLECTORIZED RAIL FACES IF FACING TRAFFIC IN ONE DIRECTION AND 6 IF FACING TRAFFIC IN TWO DIRECTIONS.
- THE PORTION OF THE POST ABOVE THE GROUND LINE SHALL BE PAINTED IN ACCORDANCE WITH THE APPROPRIATE GENERAL NOTE.
- DETACHABLE EXTENSION WING RAILS FOR BYPASSING OF CONSTRUCTION EQUIPMENT ARE PERMITTED, WHEN NECESSARY, ON FIXED OR MOVABLE TYPE 3 BARRICADES. THE LENGTH SHALL BE ADEQUATE TO CLOSE THE BORROW PIT AND/OR SHOULDER AS REQUIRED.



MOVABLE-SKIDS

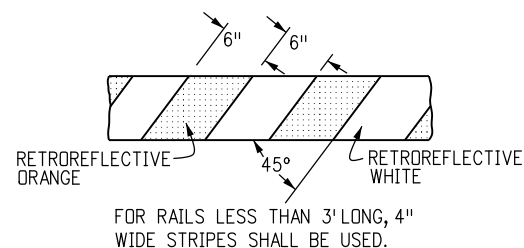


MOVABLE-HINGED

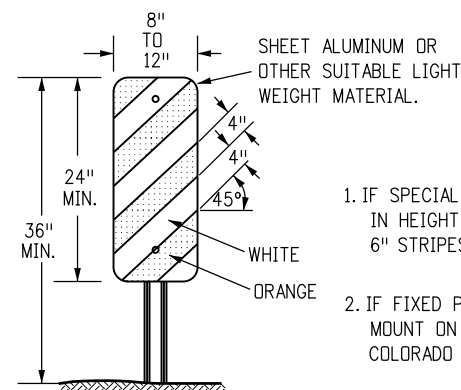
TYPICAL TYPE 3 BARRICADES

TYPICAL BARRICADE CHARACTERISTICS

BARRICADE DESIGNATIONS	
TYPE 3	
RAIL WIDTH	8" MIN.-12" MAX.
RAIL LENGTH	AS REQUIRED, SEE RAIL LENGTH TABLE
HEIGHT	5' MIN.
USE	TEMPORARY OR PERMANENT
STRIPES	SEE DETAIL OF BARRICADE STRIPING AND APPROPRIATE GENERAL NOTES.

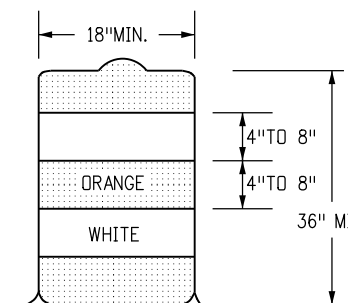


RAIL STRIPING DETAIL



- IF SPECIAL PANELS 3' OR GREATER IN HEIGHT ARE REQUIRED, THEN 6" STRIPES SHALL BE USED.
- IF FIXED PLACEMENT IS REQUIRED, MOUNT ON DELINEATOR POST. SEE COLORADO STANDARD PLAN S-612-1.

TYPICAL VERTICAL PANEL



- THE 18" MINIMUM DIMENSION SHALL APPLY TO THE SMALLEST MEASUREMENT OF OBLONG, RECTANGULAR, OR FLATTENED SIDE DRUMS.
- THERE SHALL BE AT LEAST TWO ORANGE AND TWO WHITE HORIZONTAL, CIRCUMFERENTIAL, RETROREFLECTIVE STRIPES ON EACH DRUM.

TYPICAL DRUM

GENERAL NOTES

- THE VARIOUS TYPES, COMBINATIONS AND APPLICATIONS OF SIGNS AND WARNING LIGHTS FOR BARRICADES REQUIRED FOR EACH PROJECT SHALL BE:
 - AS SPECIFIED OR DETAILED IN THE PLANS.
 - AS SHOWN IN APPLICABLE TYPICAL ILLUSTRATIONS.
 - AS CALLED FOR AND SUBJECT TO APPROVAL BY THE ENGINEER.
- TEMPORARY AND PERMANENT BARRICADES TYPE 3 SHALL BE FABRICATED FROM APPROVED CRASH TESTED MATERIALS. SEE SECTION 614 AND 630 OF THE STANDARD SPECIFICATIONS FOR ROAD AND BRIDGE CONSTRUCTION FOR ADDITIONAL REQUIREMENTS.
- ALL PAINTING SHALL CONFORM WITH THE FOLLOWING:
 - THE APPLICABLE SECTION OF 508 OF THE STANDARD SPECIFICATIONS.
 - ALL SKIDS, BRACES AND POSTS SHALL BE PAINTED WITH 2 COATS OF EXTERIOR WHITE PAINT
 - THE BACKSIDES OF RAILS AND VERTICAL PANEL CHANNELIZING DEVICES FACING ONE DIRECTION OF TRAFFIC ONLY SHALL BE PAINTED WITH "EXTERIOR WHITE PAINT.
 - ALUMINUM OR GALVANIZED STEEL SKIDS, BRACES AND POSTS SHALL NOT BE PAINTED.
- ALL STRIPED SURFACES SHALL CONFORM WITH THE FOLLOWING:
 - THE ENTIRE AREA OF ORANGE AND WHITE STRIPES SHALL BE FABRICATED AS ONE PIECE.
 - HORIZONTAL RAILS, WING RAILS AND VERTICAL PANEL CHANNELIZING DEVICES SHALL HAVE ORANGE AND WHITE STRIPES ON THE FACE SIDE(S) SLANTING DOWNWARD AT A 45° ANGLE TOWARD THE SIDE(S) TO WHICH TRAFFIC IS TO PASS OR TURN.
 - PERMANENT BARRICADES SHALL HAVE RETROREFLECTIVE RED AND WHITE STRIPES. THEY MAY BE USED AT LOCATIONS TO MARK THE END OF A ROAD, STREET OR HIGHWAY THAT ENDS AT A "T" INTERSECTION, OR WHERE THERE IS NO CROSSROAD OR OUTLET.
 - ALL RETROREFLECTIVE SHEETING SHALL CONFORM TO ASTM D4956:
 - ORANGE AND WHITE SHALL BE TYPE II, III OR IV.
 - RED AND WHITE SHALL BE TYPE II, III OR IV.
- FOR ALL WOODEN BARRICADE COMPONENTS NOMINAL LUMBER DIMENSIONS ARE SATISFACTORY.
- ALL SCREWS, BOLTS, NUTS AND WASHERS SHALL BE GALVANIZED OR CADMIUM PLATED.
- STABILITY OF BARRICADES AND CHANNELIZING DEVICES SHALL CONFORM WITH THE FOLLOWING:
 - SKIDS (BASES) OF MOVABLE BARRICADES SHALL BE WEIGHTED WITH SANDBAGS ONLY WHERE NECESSARY TO PROVIDE STABILITY
 - NO MOVABLE OR PORTABLE DEVICE SHALL BE WEIGHTED BY ANY METHOD OR WITH ANY MATERIAL THAT WOULD MAKE THEM HAZARDOUS TO MOTORISTS.
- WARNING LIGHTS USED WITH BARRICADES, DRUMS AND VERTICAL PANELS SHALL CONFORM WITH THE FOLLOWING:
 - USE FLASHING WARNING LIGHTS WHEN DEVICES ARE USED SINGLY, AND STEADY BURN LIGHTS WHEN THEY ARE USED IN A SERIES FOR CHANNELIZATION.
 - THEY SHALL BE POSITIONED ABOVE THE TOP RAIL OF BARRICADES OR ON TOP OF DRUMS AND VERTICAL PANELS.
- CONCRETE BARRIER (TEMPORARY) SHALL CONFORM WITH:
 - PRECAST CONCRETE BARRIER AS SHOWN ON COLORADO STANDARD PLAN M-606-14.
 - BARRIER REFLECTORS SHALL BE INSTALLED THAT MEET THE REQUIREMENTS OF STANDARD TYPICAL DELINEATOR INSTALLATIONS, EXCEPT THE MAXIMUM SPACING SHALL BE 50', AND THEY WILL NOT BE PAID FOR BUT ARE INCLUDED IN THE COST OF THE BARRIER.
 - CONCRETE BARRIER END TREATMENT SHALL BE IN ACCORDANCE WITH CLEAR ZONE CRITERIA, AND PLACED AS SHOWN ON THE PLANS.
- SIGN PANELS MOUNTED ON BARRICADES WILL BE PAID FOR SEPARATELY.

Computer File Information

Creation Date: 07/04/12	Initials: JSW
Last Modification Date: 06/03/16	Initials: MBhat
Full Path: www.coloradodot.info/library/traffic/traffic-s-standard-plans	
Drawing File Name: S-630-02.dgn	
CAD Ver.: MicroStation V8i Scale: Not to Scale Units: English	

Sheet Revisions

Date:	Comments
06/03/16	UPDATED GENERAL NOTES 4 C

Colorado Department of Transportation



2829 W Howard Place
Denver, Colorado 80204
Phone: 303-757-9543 FAX: 303-757-9219

Safety & Traffic Engineering

KCM

**BARRICADES, DRUMS,
CONCRETE BARRIERS
(TEMP) & VERTICAL PANELS**

Issued By: Safety & Traffic Engineering Branch July 4, 2012

STANDARD PLAN NO.

S-630-2

Sheet No. 1 of 1