

TYPICAL SIGN SIZES:  
24" X 36"  
36" X 42"

TYPICAL SIGN SIZES:  
30" X 30"  
36" X 36"

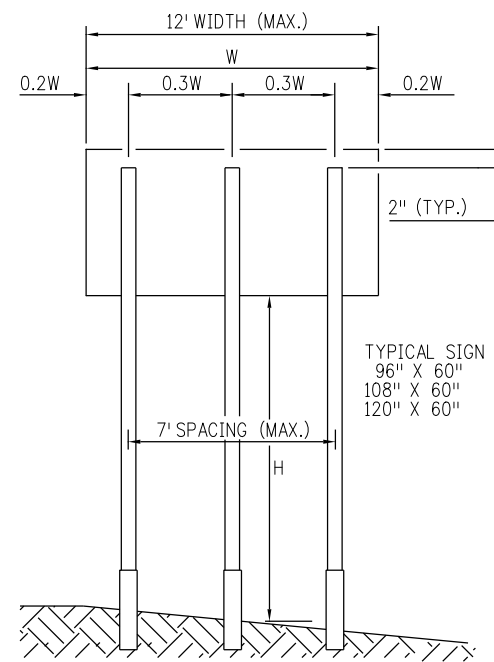
● SIGN POST REQUIREMENTS

POST TYPE	POST SIZE	MAX. CLEAR HEIGHT, H (FT.)	MAX. SIGN AREA (SF)
SQUARE TUBING	2.25" X 2.25" (12 GA.)	10	10.5
SQUARE TUBING	1.75" X 1.75" (12 GA.)	9	5
SQUARE TUBING	2.00" X 2.00" (12 GA.)	9	8
SQUARE TUBING	2.25" X 2.25" (12 GA.)	9	10.5
SQUARE TUBING	1.75" X 1.75" (12 GA.)	8	6
SQUARE TUBING	2.00" X 2.00" (12 GA.)	8	9
SQUARE TUBING	1.75" X 1.75" (12 GA.)	7	7
SQUARE TUBING	2.00" X 2.00" (12 GA.)	7	10

\* SINGLE POST SHALL BE PLACED IN THE CENTER OF THE SIGN

**SINGLE POST INSTALLATION**

(TOTAL SIGN AREA NOT TO EXCEED 10.5 SF)



TYPICAL SIGN SIZES:  
96" X 60"  
108" X 60"  
120" X 60"

● SIGN POST REQUIREMENTS

POST TYPE	POST SIZE	MAX. CLEAR HEIGHT, H (FT.)	MAX. SIGN AREA (SF)
△ U-CHANNEL	3 LB./FT.	11	36
△ SQUARE TUBING	2.50" X 2.50" (10 GA.)	9	45
△ SQUARE TUBING	2.50" X 2.50" (10 GA.)	7	50
○ SQUARE TUBING	2.50" X 2.50" (10 GA.)	11	36
○ SQUARE TUBING	2.50" X 2.50" (10 GA.)	9	45

**TRIPLE POST INSTALLATION**

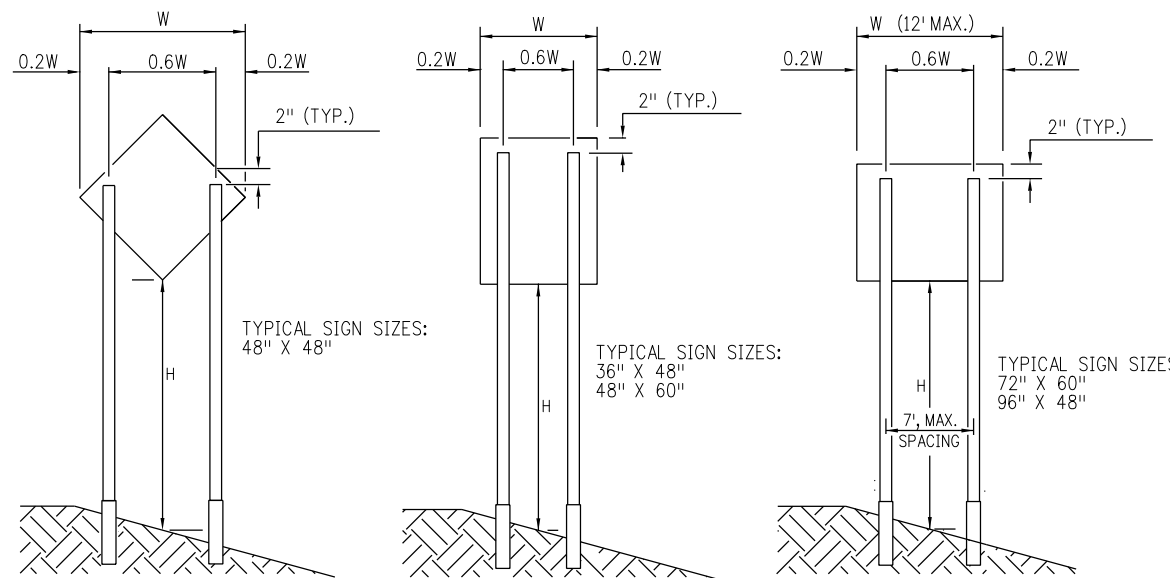
(TOTAL SIGN AREA NOT TO EXCEED 50 SF)

**GENERAL NOTES**

- ALL SQUARE TUBING SIGN POST REQUIREMENTS ARE BASED ON A 10 OR 12-GAUGE THICKNESS, ASTM A570 GRADE 50 STEEL, A MINIMUM YIELD STRENGTH OF 60,000 PSI AND A 70 MPH WIND LOAD. ALL U-CHANNEL SIGN POSTS REQUIREMENTS ARE BASED ON A MINIMUM YIELD STRENGTH OF 80,000 PSI AND 85 MPH WIND LOAD.
- STEEL POSTS, BASE POSTS, AND SLIP BASES FOR ALUMINUM PANEL SIGNS SHALL BE SELECTED FROM THE CDOT APPROVED PRODUCT LIST.
- BASE POSTS SHALL NOT EXTEND MORE THAN 4" ABOVE GROUND LEVEL AND SHALL BE OF THE SAME WEIGHT/GAUGE AND TYPE AS THE SIGN POST.
- INTERMIXING OF U-CHANNEL AND SQUARE TUBING POSTS, POSTS OF DIFFERENT WEIGHTS/GAUGES OR PRODUCT BRANDS IS PROHIBITED.
- SUPPLEMENTAL SIGNS SHALL NOT BE ATTACHED DIRECTLY TO PRIMARY PANELS.
- SPACING BETWEEN SUPPLEMENTAL PANELS AND PRIMARY PANELS SHALL NOT EXCEED 6".
- SIGN PANELS PLACED PARALLEL TO TRAFFIC SHALL BE MOUNTED ON A MULTI-DIRECTIONAL BREAKAWAY SYSTEM. (SEE STANDARD PLAN S-630-4, SHEET 2)
- AN APPROVED SLIP BASE IS REQUIRED WITH THE DOUBLE POST AND TRIPLE POST INSTALLATION. (SEE STANDARD PLAN S-630-4, SHEET 2).
- SEE MANUFACTURER'S DRAWINGS FOR SPECIFIC ASSEMBLY INFORMATION (POST-TO-BASE POST OVERLAP), INCLUDING TYPES OF NUTS, BOLTS, WASHERS, AND OTHER PARTS REQUIRED FOR PRODUCT USE.
- LAP-SPLICE OR MULTI-DIRECTIONAL SLIP BASE MAY BE USED. SEE STANDARD PLAN S-630-4, SHEET 2.

**LEGEND**

- SEE GENERAL NOTE 1.
- ▲ SEE GENERAL NOTE 4.
- △ SEE GENERAL NOTE 8.
- SEE GENERAL NOTE 9.
- SEE GENERAL NOTE 10.



TYPICAL SIGN SIZES:  
48" X 48"

TYPICAL SIGN SIZES:  
36" X 48"  
48" X 60"

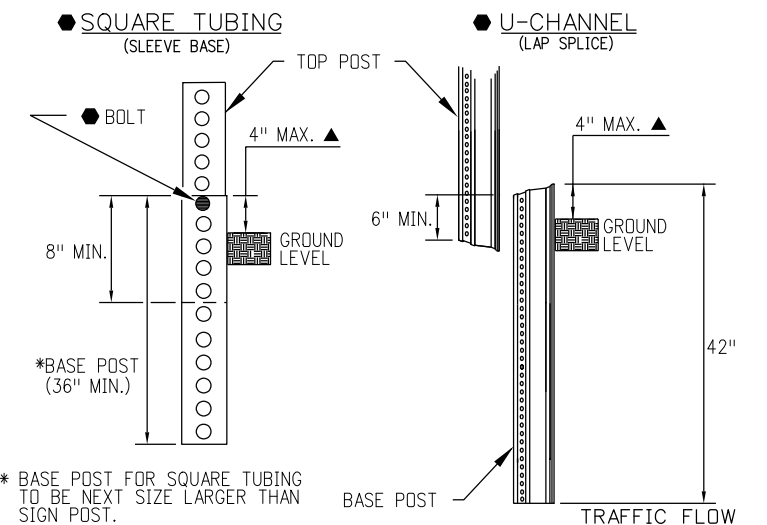
TYPICAL SIGN SIZES:  
72" X 60"  
96" X 48"

● SIGN POST REQUIREMENTS

POST TYPE	POST SIZE	MAX. CLEAR HEIGHT, H (FT.)	MAX. SIGN AREA (SF)
SQUARE TUBING	2.25" X 2.25" (12 GA.)	11	13
SQUARE TUBING	2.25" X 2.25" (12 GA.)	9	15
SQUARE TUBING	2.25" X 2.25" (12 GA.)	8	16
SQUARE TUBING	2.25" X 2.25" (12 GA.)	7	20
△ U-CHANNEL	3 LB./FT.	11	25
△ U-CHANNEL	3 LB./FT.	9	30
△ SQUARE TUBING	2.50" X 2.50" (10 GA.)	7	36

**DOUBLE POST INSTALLATION**

(TOTAL SIGN AREA NOT TO EXCEED 30 SF)



\* BASE POST FOR SQUARE TUBING TO BE NEXT SIZE LARGER THAN SIGN POST.

**BASE POST INSTALLATION DETAILS**

FOR SQUARE TUBING AND U-CHANNEL SYSTEMS  
(SEE STANDARD PLAN S-630-4, SHEET 2 FOR MULTI-DIRECTIONAL SLIP BASE SYSTEMS)

**Computer File Information**

Creation Date: 07/04/12	Initials: KEN
Last Modification Date:	Initials:
Full Path: www.coloradodot.info/library/traffic/traffic-s-standard-plans	
Drawing File Name: S-630-04_1of2.dgn	
CAD Ver.: MicroStation V8 Scale: Not to Scale Units: English	

**Sheet Revisions**

Date:	Comments
(R-X)	
(R-X)	
(R-X)	
(R-X)	

Colorado Department of Transportation



2829 W Howard Place  
Denver, Colorado 80204  
Phone: 303-757-9543 FAX: 303-757-9219

Safety & Traffic Engineering

KCM

**STEEL SIGN SUPPORT  
(TEMPORARY)  
INSTALLATION DETAILS**

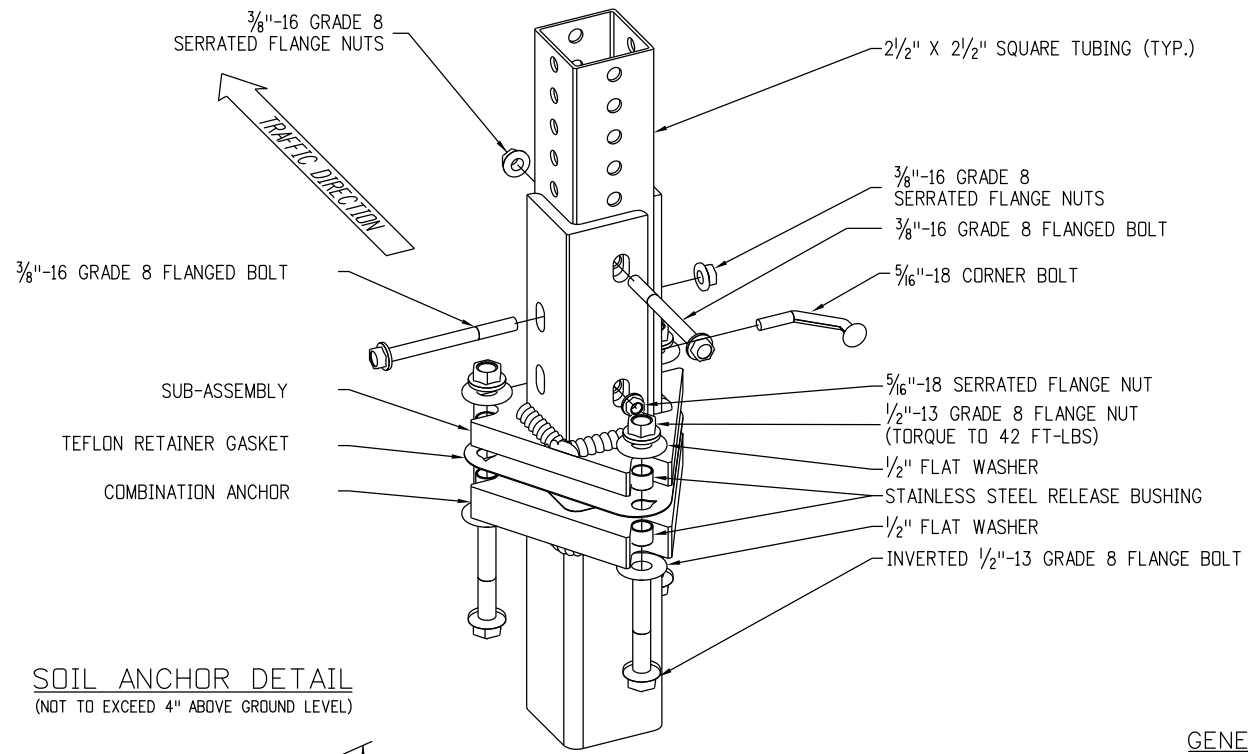
Issued By: Safety & Traffic Engineering Branch July 4, 2012

STANDARD PLAN NO.

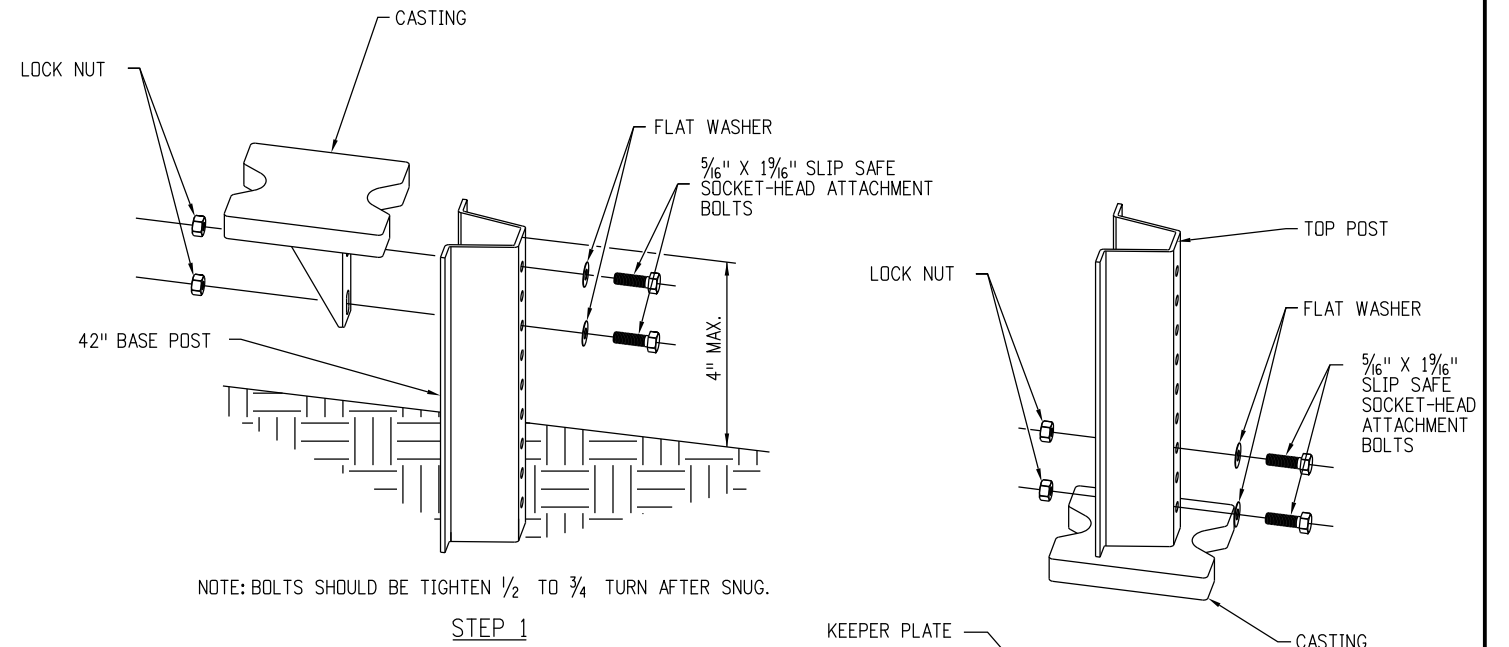
S-630-4

Sheet No. 1 of 2

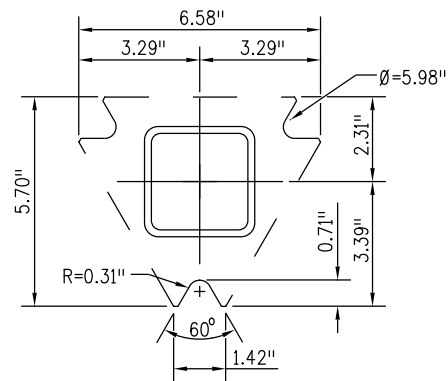
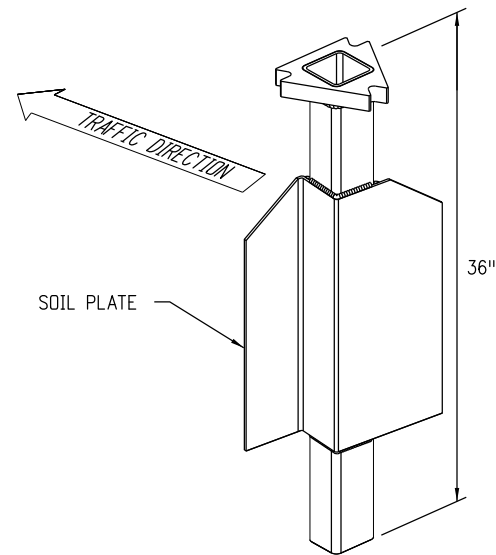
**SQUARE TUBING SLIP BASE**



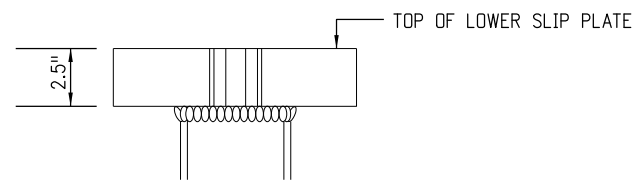
**U-CHANNEL SLIP BASE**



**SOIL ANCHOR DETAIL**  
(NOT TO EXCEED 4" ABOVE GROUND LEVEL)



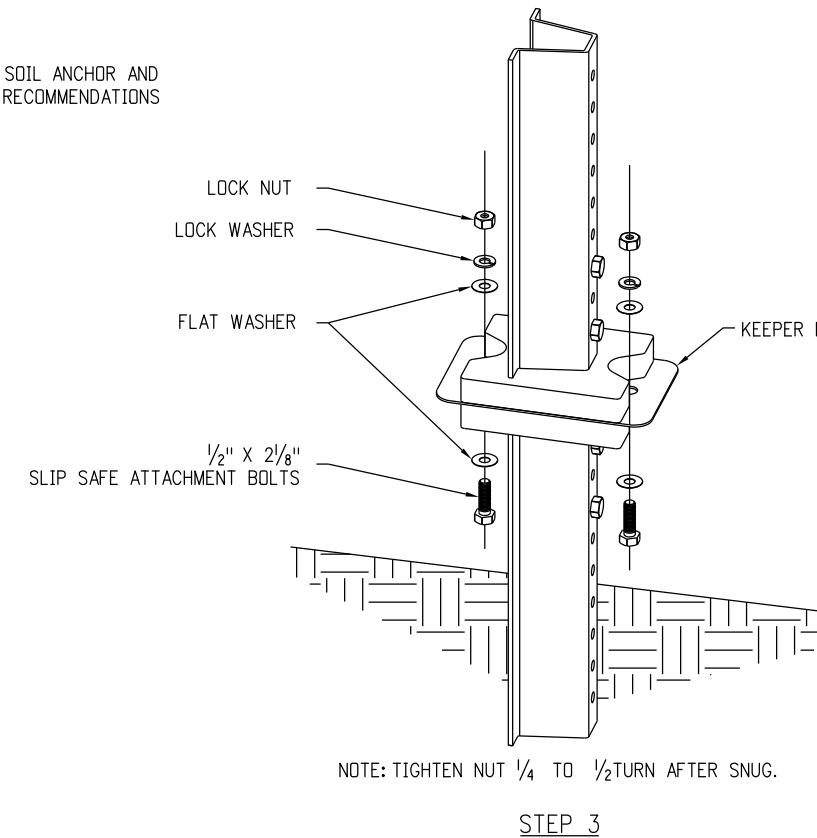
**ANCHOR TOP VIEW**



**ANCHOR FRONT VIEW**

**GENERAL NOTE:**

THE CONTRACTOR SHALL INSTALL THE SOIL ANCHOR AND SLIP BASE PER THE MANUFACTURER'S RECOMMENDATIONS WITHOUT ADDITIONAL COMPENSATION.



**MULTI-DIRECTIONAL SLIP BASE POST DETAILS**

**Computer File Information**

Creation Date: 07/04/12	Initials: KEN
Last Modification Date:	Initials:
Full Path: www.coloradodot.info/library/traffic/traffic-s-standard-plans	
Drawing File Name: S-630-04_2of2.dgn	
CAD Ver.: MicroStation V8	Scale: Not to Scale Units: English

**Sheet Revisions**

Date:	Comments
(R-X)	
(R-X)	
(R-X)	
(R-X)	

Colorado Department of Transportation



2829 W. Howard Place  
Denver, Colorado 80204  
Phone: 303-757-9543 FAX: 303-757-9219

Safety & Traffic Engineering

KCM

**STEEL SIGN SUPPORT  
(TEMPORARY)  
INSTALLATION DETAILS**

Issued By: Safety & Traffic Engineering Branch July 4, 2012

STANDARD PLAN NO.

S-630-4

Sheet No. 2 of 2