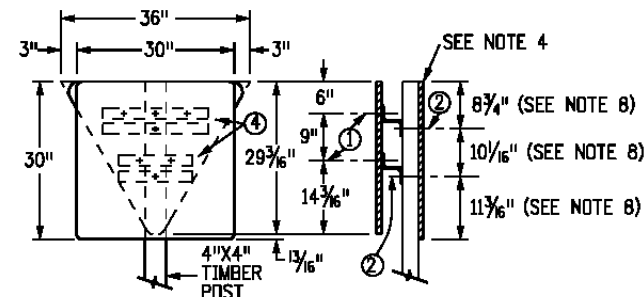
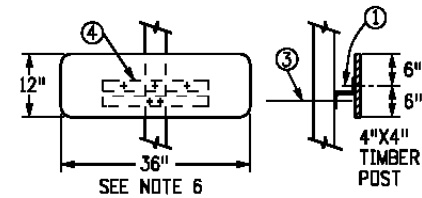


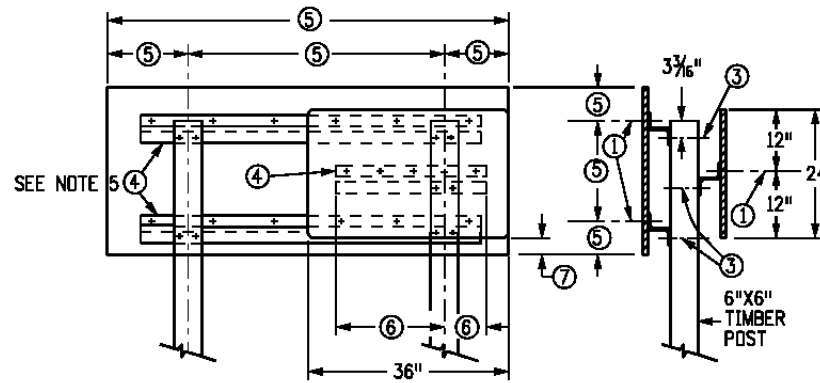
30" REGULATORY SIGN AND GUIDE SIGN



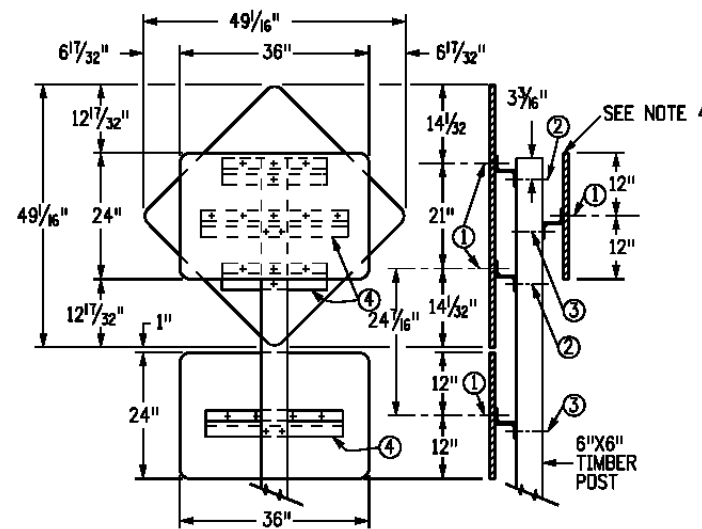
30" REGULATORY SIGN AND 36" TRIANGLE



36" X 12" REGULATORY SIGN
(THIS DETAIL APPLIES ONLY WHEN SIGN IS MOUNTED ON THE SAME FACE WITH A CLASS II SIGN)



36" X 24" REGULATORY AND GUIDE SIGN

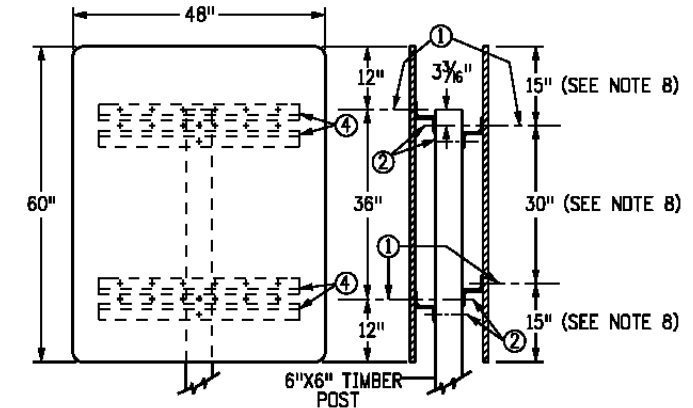


36" X 24" REGULATORY SIGN AND 36" DIAMOND WITH EDUCATIONAL PLAQUE

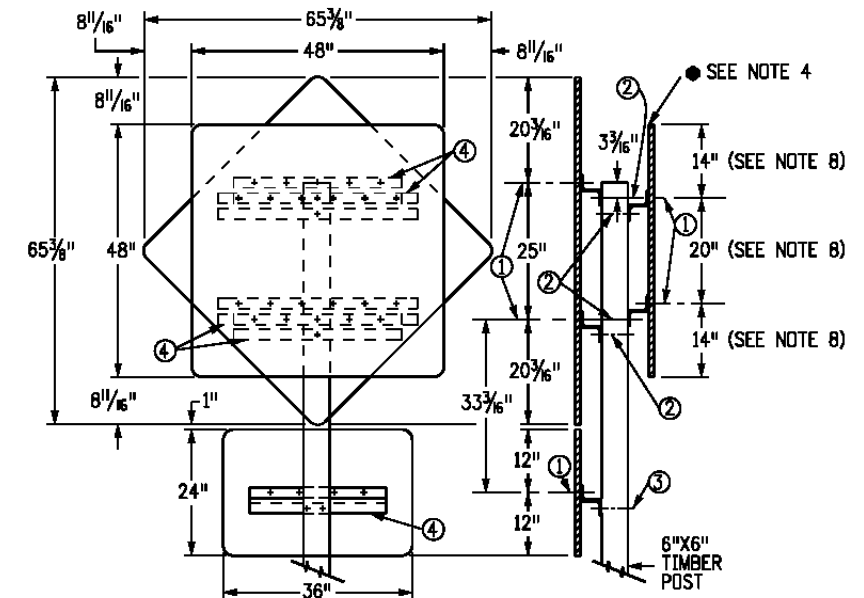
1. TIMBER SIGN POSTS MAY ONLY BE USED FOR TEMPORARY SIGNAGE DURING CONSTRUCTION. TUBULAR STEEL SHALL BE USED FOR PERMANENT INSTALLATION
2. FOR SIGN PLACEMENT SEE COLORADO STANDARD PLAN S-614-1.
3. FOR TYPICAL CLASS I, II AND III GROUND SIGN INSTALLATION DETAILS SEE COLORADO STANDARD PLANS S-614-2, S-614-3 AND S-614-4.
4. IF THE BACK-SIDE OF ANY PANEL USED IN THE MULTI-SIGN INSTALLATIONS (DO NOT ENTER, WRONG WAY, ETC.) PROTRUDES BEYOND THE EDGE OF ANOTHER PANEL THAT FACES TRAFFIC APPROACHING FROM A NORMAL OR PROPER DIRECTION, THE ENTIRE BACK-SIDE OF THE PROTRUDING PANEL SHALL BE PAINTED FLAT BLACK ENAMEL.

GENERAL NOTES

5. A BACKING ZEE SIZE OF 3 IN. X 2 IN. X 1/4 IN. SHALL BE USED FOR MOST GUIDE SIGN INSTALLATIONS.
6. 36 IN. X 12 IN. AND ALL SIGNS 30 IN. WIDE OR LESS BECOME CLASS II AND REQUIRE BACKING ZEE(S) WHEN THEY ARE MOUNTED ON THE SAME FACE AS A NORMAL CLASS II SIGN. ONE REGULAR 1 FT.-8 IN. ZEE WILL BE USED FOR THOSE 15 IN. OR LESS IN HEIGHT AND 2 REGULAR 1 FT.-8 IN. ZEES FOR THOSE GREATER THAN 15 IN. IN HEIGHT.
7. OTHER MULTI-SIGN INSTALLATIONS, NOT DETAILED ON THIS STANDARD, MAY BE REQUIRED BY THE PLANS AND ARE TO BE FABRICATED IN ACCORDANCE WITH THE GENERAL PRINCIPLES OF THIS STANDARD.
8. SPECIAL NON-STANDARD SPACING MAY BE REQUIRED TO FACILITATE ASSEMBLY OF MULTI-SIGN INSTALLATIONS.



48" X 60" REGULATORY SIGNS



48" X 48" REGULATORY SIGN AND 48" DIAMOND WITH EDUCATIONAL PLAQUE

FABRICATION LEGEND

1. 5/8-IN 90° COUNTERSUNK ALUMINUM LOCKBOLT FASTENER.
2. 5/8-IN GALVANIZED OR CADMIUM PLATED MACHINE BOLT, NUT AND WASHERS.
3. 3/8-IN GALVANIZED OR CADMIUM PLATED MACHINE BOLT, NUT AND WASHERS.
4. 3-IN X 2 1/16-IN X 1/4-IN BACKING ZEE.
5. GUIDE SIGN DIMENSION VARIES.
6. DIMENSION VARIES, PANEL SHALL NOT PROJECT BEYOND THE EDGE OF THE GUIDE SIGN.
7. THIS SPACE NOT TO EXCEED 1-IN - 6-IN, OTHERWISE CENTER PANEL VERTICALLY ON THE GUIDE SIGN.

Computer File Information	
Creation Date:	07/04/12
Created By:	KEN
Last Modification Date:	07/31/19
Last Modified By:	AVU
CAD Ver.: MicroStation V8 Scale: Not to Scale Units: English	

Sheet Revisions	
Date:	Comments

Colorado Department of Transportation
 2829 W. Howard Pl.
 Denver, CO 80204
 Phone: 303-757-9436
 FAX: 303-757-9219
Traffic & Safety Engineering **MKB**

TYPICAL MULTI-SIGN INSTALLATIONS

Issued By: Traffic & Safety Engineering Branch July 31, 2019

STANDARD PLAN NO.
S-614-22
Standard Sheet No. 1 of 1
Project Sheet Number: