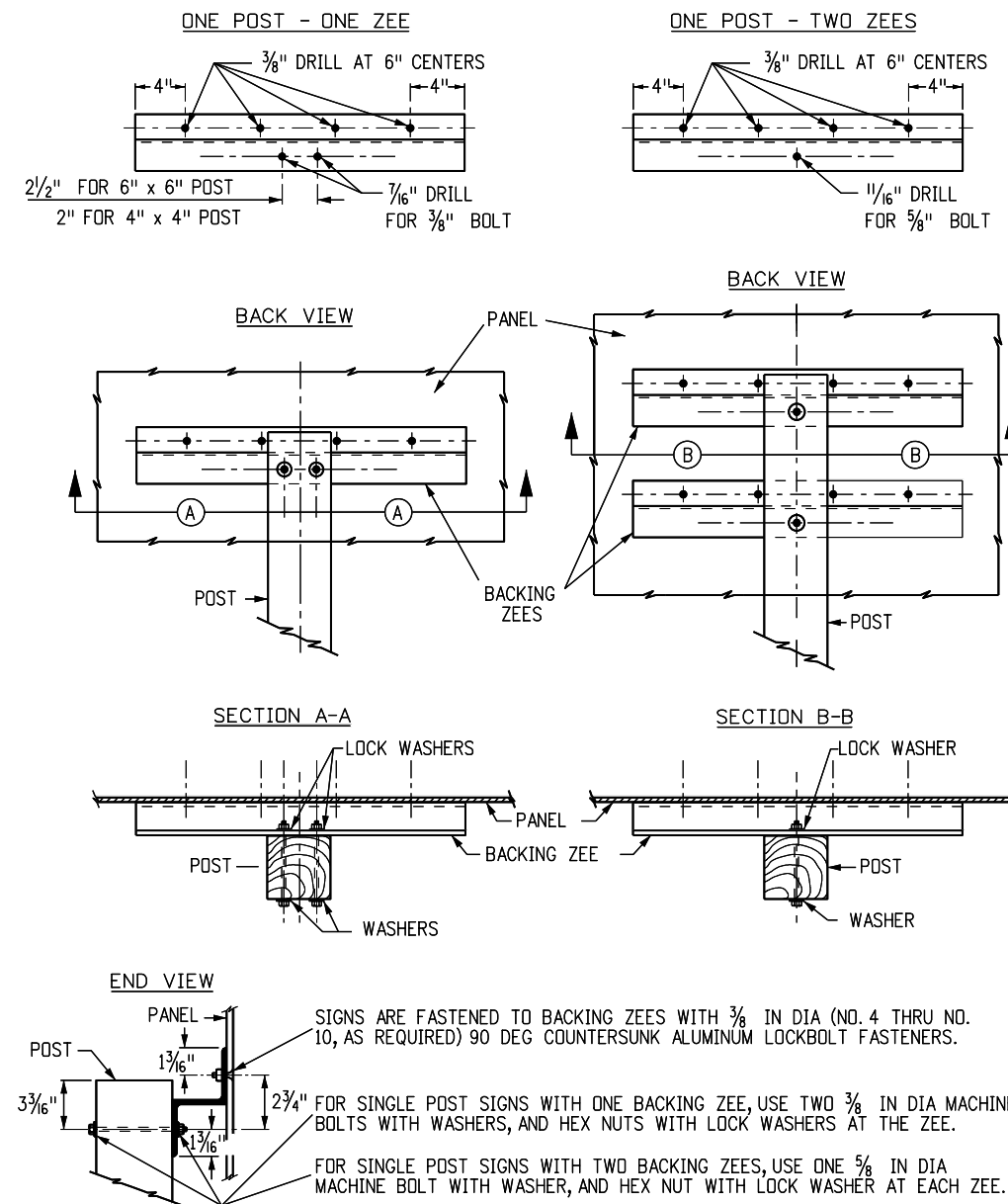


TYPICAL PANEL DETAILS

CLASS II PANEL MOUNTING DATA (*TIMBER POSTS)					
SIGN TYPE	A	B	C	D	POST SIZE
DIAMOND, 36" SIDES	49 ¹ / ₁₆ "	14 ¹ / ₃₂ "	21"	--	6" x 6"
48" SIDES	65 ³ / ₈ "	20 ³ / ₁₆ "	25"	--	6" x 6"
60" SIDES	81 ¹ / ₂ "	25 ³ / ₄ "	30"	--	6" x 6"
TRIANGLE, 36" SIDES	29 ³ / ₁₆ "	14 ³ / ₁₆ "	9"	6"	4" x 4"
48" SIDES	38 ⁹ / ₁₆ "	14 ⁹ / ₁₆ "	18"	6"	4" x 4"
60" SIDES	48"	20"	22"	6"	6" x 6"
OCTAGON, 36" x 36"	36"	9"	18"	--	6" x 6"
48" x 48"	48"	12"	24"	--	6" x 6"
CIRCLE, 36" DIAMETER	36"	8"	20"	--	6" x 6"
PENNANT, 48" x 36" SIDES	34"	10 ³ / ₄ "	15"	8 ¹ / ₄ "	4" x 4"
64" x 48" SIDES	45"	12 ¹ / ₂ "	21 ¹ / ₂ "	11"	6" x 6"
PENTAGON, 36" SIDES	35"	6"	20"	9"	4" x 4"
48" SIDES	46 ³ / ₄ "	9"	25 ³ / ₄ "	12"	6" x 6"
RECTANGLE					
WIDTH	HEIGHT				
36"	24"	24"	12"	--	4" x 4"
48"	24"	24"	12"	--	6" x 6"
36" to 60"	30"	30"	9"	12"	6" x 6"
36" to 60"	36"	36"	9"	18"	6" x 6"
36" to 60"	42"	42"	9"	24"	6" x 6"
36" to 60"	48"	48"	12"	24"	6" x 6"
48"	54"	54"	12"	30"	6" x 6"
48" to 60"	60"	60"	12"	36"	6" x 6"
SUPPLEMENTAL PANELS					
RECTANGLE, 24" x 18"	18"	9"	--	--	4"x4" or 6"x6"
48" x 18"	18"	9"	--	--	6" x 6"
24" x 24"	24"	12"	--	--	6" x 6"
36" x 24"	24"	12"	--	--	6" x 6"
48" x 36"	36"	9"	18"	--	6" x 6"

*FOR ADDITIONAL CLASS II SIZES THAT UTILIZE STEEL POSTS, SEE STANDARD PLAN S-614-8.



TYPICAL BACKING ZEES

GENERAL NOTES

- TIMBER SIGN POSTS MAY ONLY BE USED FOR TEMPORARY SIGNAGE DURING CONSTRUCTION. TUBULAR STEEL SIGN POSTS SHALL BE USED FOR PERMANENT INSTALLATIONS.
- CLASS II SIGN PANELS ARE THOSE THAT REQUIRE ONE TO TWO BACKING ZEES AND ARE LESS THAN 72 INCHES IN HEIGHT. CLASS II SIGN PANELS MAY USE MORE THAN TWO BACKING ZEES WHEN ATTACHED TO A CLASS III ASSEMBLY. CLASS II SIGN PANELS SHALL BE 0.10 INCH MINIMUM THICKNESS SINGLE SHEET ALUMINUM.
- Z-BAR LENGTH SHALL BE 3 INCHES (± 1/2 INCH) SHORT OF THE EDGE OF THE SIGN ON BOTH SIDES.
- FOR TUBULAR STEEL POST INFORMATION, SEE STANDARD PLAN S-614-08.
- BACKING ZEES ARE 3 INCH x 2¹/₁₆ INCH x 2.33, 6061-TB ALUMINUM ALLOY WEIGHING 2.33 POUNDS PER FOOT.
- FOR SIGN PLACEMENT, SEE STANDARD PLAN S-614-1.
- ALL SIGNS SHALL BE FABRICATED USING RETRO-REFLECTIVE SHEETING CONFORMING TO ASTM D4956. THE TYPE SHALL BE AS DIRECTED IN THE STANDARD SPECIFICATIONS, SECTION 713 AND/OR AS SHOWN ON THE PLANS.
- BOLTS, NUTS, AND METAL WASHERS SHALL BE GALVANIZED OR CADMIUM PLATED.
- ▲ 9. VERTICAL SPACING BETWEEN PANELS SHALL BE 1 INCH TO 1/2 INCHES.
10. WASHERS ON TIMBER POSTS SHALL BE 1/2 INCHES DIAMETER.

Computer File Information	
Creation Date: 07/04/12	
Created By: Lee	
Last Modification Date: 03/01/24	
Last Modified By: YSaucedo	
CAD Ver.: MicroStation V8	Scale: Not to Scale Units: English

Sheet Revisions	
Date:	Comments
03/01/24	Revised note 2.

Colorado Department of Transportation

2829 W. Howard Pl.
Denver, CO 80204
Phone: 303-757-9654
FAX: 303-757-9219

Traffic & Safety Engineering EB

CLASS II SIGNS

Issued By: Traffic & Safety Engineering Branch July 31, 2019

STANDARD PLAN NO.
S-614-3
Standard Sheet No. 1 of 1
Project Sheet Number: