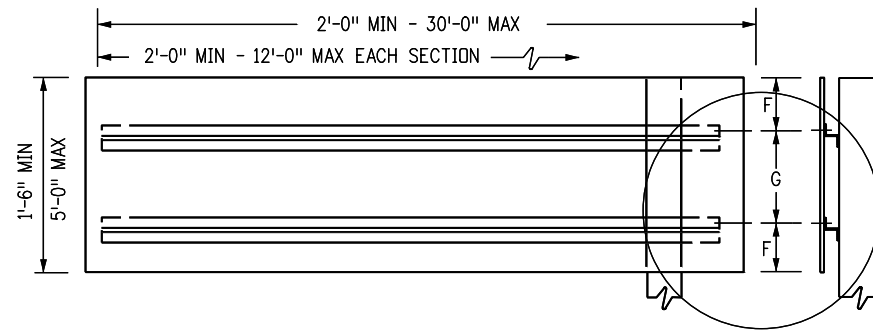


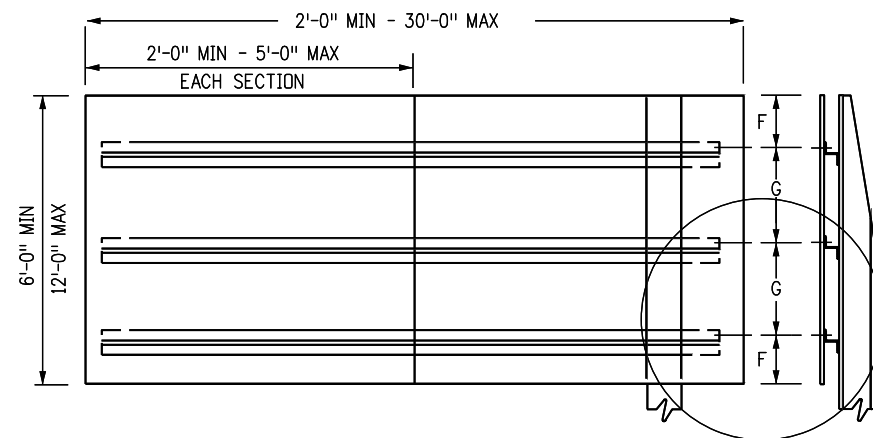
HORIZONTAL SECTIONS



WIDTH	*SECTIONS
2'-0" TO 12'-0"	1
12'-6" TO 24'-0"	2
24'-6" TO 30'-0"	3

*NUMBER OF SECTIONS SHALL NOT EXCEED MAXIMUM SHOWN IN TABLE
SEE TYPICAL DETAIL ON SHEET 2

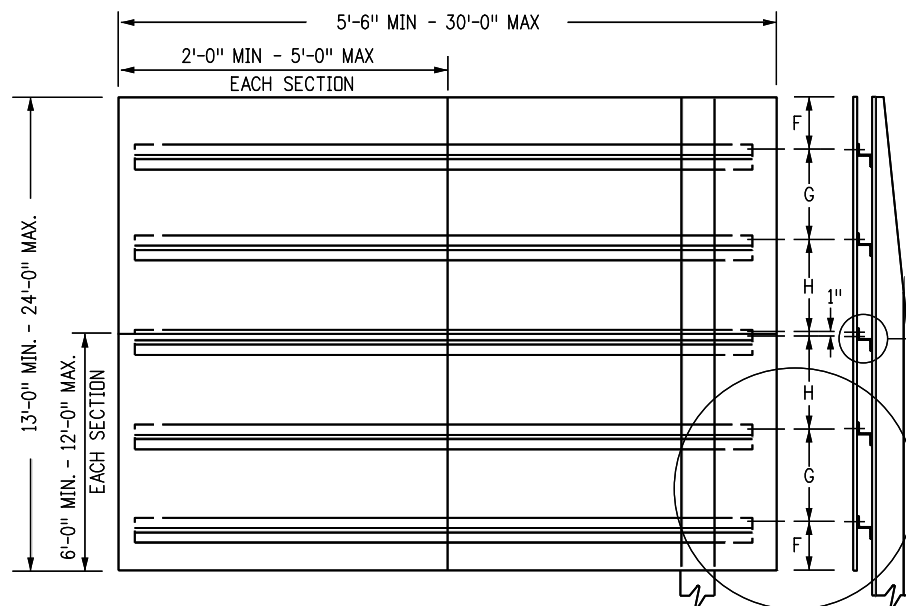
VERTICAL SECTIONS



WIDTH	*SECTIONS
2'-0" TO 5'-0"	1
5'-6" TO 10'-0"	2-3
10'-6" TO 15'-0"	3-4
15'-6" TO 20'-0"	4-5
20'-6" TO 25'-0"	5-7
25'-6" TO 30'-0"	6-8

*NUMBER OF SECTIONS SHALL NOT EXCEED MAXIMUM SHOWN IN TABLE
SEE TYPICAL DETAIL ON SHEET 2

MULTI-VERTICAL SECTIONS



WIDTH	*SECTIONS
5'-6" TO 10'-0"	4-6
10'-6" TO 15'-0"	6-8
15'-6" TO 20'-0"	8-10
20'-6" TO 25'-0"	10-14
25'-6" TO 30'-0"	12-16

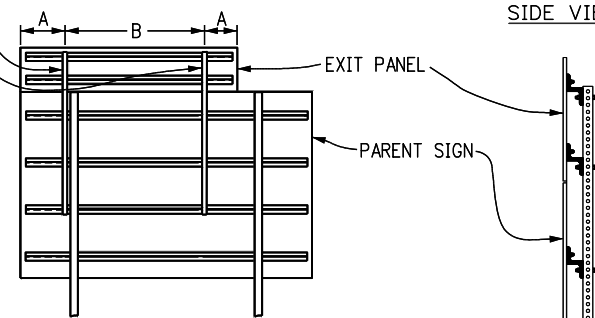
*NUMBER OF SECTIONS SHALL NOT EXCEED MAXIMUM SHOWN IN TABLE
SEE TYPICAL SEAM CLOSURE DETAIL ON SHEET 2
SEE TYPICAL DETAIL ON SHEET 2

TYPICAL PANEL ELEVATIONS

GENERAL NOTES

1. TIMBER SIGN POSTS MAY ONLY BE USED FOR TEMPORARY SIGNAGE DURING CONSTRUCTION. TUBULAR STEEL SHALL BE USED FOR PERMANENT INSTALLATION.
2. CLASS III SIGN PANELS ARE THOSE WHERE A SINGLE PANEL REQUIRES 3 OR MORE BACKING ZEES AND ARE 72 INCH OR MORE IN HEIGHT. GROUND MOUNT AND OVERHEAD EXIT SIGN PANEL ASSEMBLIES SHALL BE CLASS III. CLASS III SIGN PANELS SHALL BE 0.125 INCH MINIMUM THICKNESS SHEET ALUMINUM.
3. SEE THE APPLICABLE STANDARDS FOR SIGN PLACEMENT, FOOTING DETAILS AND POST SPACING TABLES.
4. A 3/8 IN 90° COUNTERSUNK HUCKBOLT AND COLLAR SHALL BE USED TO FASTEN THE SIGN PANEL TO THE BACKING ZEE. A HEX-HEAD BOLT WITH NUT AND WASHERS SHALL BE USED TO FASTEN THE BACKING ZEE TO A TIMBER POST OR TO A STEEL POST.
5. A FLAT WASHER SHALL BE PLACED BETWEEN THE BOLT HEAD AND THE POST FLANGE. A LOCK WASHER SHALL BE PLACED UNDER THE NUT ON A STEEL POST OR A BACKING ZEE. A 1/2 IN DIAMETER WASHER SHALL BE PLACED UNDER THE BOLT HEAD ON A TIMBER POST.
6. ALL EXPOSED SIGN PANEL SECTION JOINTS, EXCEPT THE MULTI-VERTICAL SECTIONS HORIZONTAL SEAM, SHALL BE COVERED ON THE BACKSIDE OF THE SIGN PANEL WITH AN ALUMINUM CLOSURE STRIP. CLOSURE STRIPS SHALL BE RIVETED OR TAPED. SEE FABRICATION NOTES.
7. SECTIONS ILLUSTRATED BASED ON UTILIZING 12-FOOT X 5-FOOT STOCK. 4-FOOT WIDE STOCK MAY BE USED WITH APPROPRIATE ADJUSTMENT IN NUMBER OF SECTIONS.
8. ALL SIGNS SHALL BE FABRICATED USING RETROREFLECTIVE SHEETING CONFORMING TO ASTM D4956. THE TYPE SHALL BE AS DESCRIBED IN THE STANDARD SPECIFICATIONS AND/OR AS SHOWN ON THE PLANS.
9. FOR THE DESIGN OF POSTS AND FOOTINGS DESIGN, SEE 'CLASS III SIGN POST AND FOOTING CALCULATION' SPREADSHEET ON CDOT WEBSITE.

EXIT PANEL SUPPORTS



SUPPORT SPACING TABLE

EXIT PANEL WIDTH	OVERHANG "A"	SPACING "B"
7'	1'-0"	5'
8'	1'-6"	5'
9'	2'-0"	5'
10'	2'-6"	5'
11'	2'-6"	6'
12'	2'-6"	7'

TYPICAL EXIT PANEL INSTALLATION FOR GROUND SIGNS

EXIT PANEL NOTES

1. THE EXIT PANEL SHALL BE MOUNTED WITH TWO SUPPORTS. RIGHT HAND EXITS REQUIRE THE EDGE OF THE EXIT PANEL TO BE MOUNTED EVEN WITH THE RIGHT EDGE OF THE PARENT SIGN. LEFT HAND EXITS REQUIRE THE LEFT EDGE OF THE EXIT PANEL TO BE MOUNTED EVEN WITH THE LEFT EDGE OF THE PARENT SIGN.
2. THE SUPPORTS SHALL BE SQUARE STEEL TUBING A MINIMUM WIDTH OF 2 1/4-INCH WITH 7/16-INCH HOLES PUNCHED OR DRILLED ON 1 INCH CENTERS ALONG THE LENGTH OF EACH SIDE WHILE MAINTAINING A MINIMUM SECTION MODULUS OF 0.499 CUBIC INCHES. THE STEEL MUST HAVE A MINIMUM YIELD STRESS OF 33 KSI. ALTERNATELY, ZEE BAR MAY BE USED FOR THE SUPPORT MEMBERS WITH 7/8 INCH HOLES PUNCHED WHERE NEEDED.
3. THE SUPPORTS SHALL BE FASTENED TO THE BACKING ZEE USING 3/8-INCH BOLTS.
4. THE EXIT PANEL SUPPORT MAY BE MOVED 6-INCHES IF IT CONFLICTS WITH THE PARENT SIGN SUPPORT.
5. EXIT PANEL MOUNTING WILL BE PAID FOR AS PART OF THE CLASS III SIGN PANEL.
6. EXIT PANEL SUPPORTS SHALL BE ATTACHED TO A MINIMUM OF THREE BACKING ZEES.

Computer File Information

Creation Date: 07/04/12
Created By: KCM
Last Modification Date: 03/01/24
Last Modified By: YSaucedo
CAD Ver.: MicroStation V8 Scale: Not to Scale Units: English

Sheet Revisions

Date	Comments
03/01/24	Revised note 2.

Colorado Department of Transportation



2829 W. Howard Pl.
Denver, CO 80204
Phone: 303-757-9654
FAX: 303-757-9219

Traffic & Safety Engineering

EB

CLASS III SIGNS

Issued By: Traffic & Safety Engineering Branch July 31, 2019

STANDARD PLAN NO.

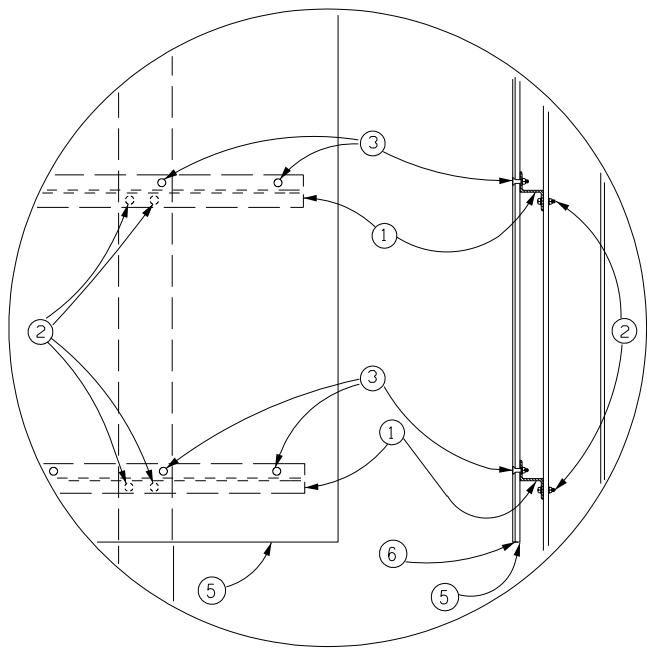
S-614-4

Standard Sheet No. 1 of 3

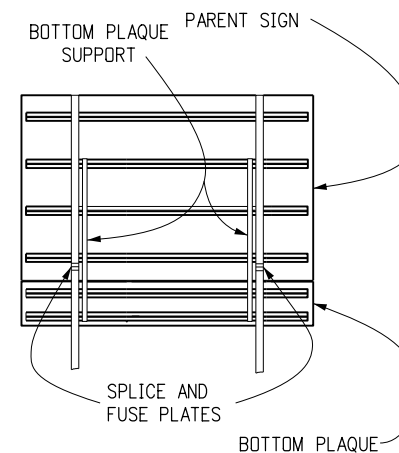
Project Sheet Number:

FABRICATION NOTES

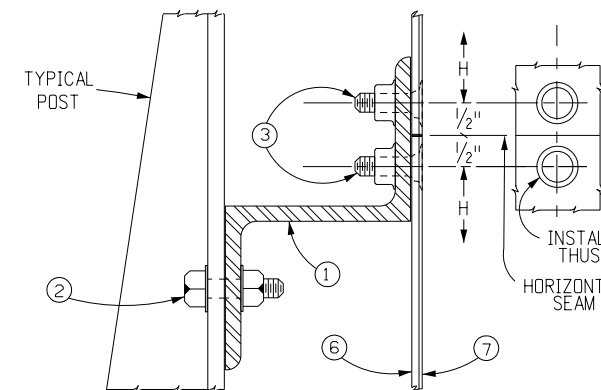
- ① BACKING ZEE. SEE "ZEE SPACING TABLE" ON SHEET 3. ALUMINUM ALLOY 6061-T6. EACH ZEE TO BE PROVIDED WITH A 3/16 IN X 2 IN HORIZONTAL SLOT FOR EACH POST MOUNTING BOLT.
- ② 3/8-IN HEX-HEAD BOLT WITH NUT AND WASHERS; 2 PER BACKING ZEE PER POST REQUIRED. WASHERS ON POST SHALL BE 1/2-IN DIAMETER.
- ③ 3/8-IN (NO. 6) 90° COUNTERSUNK HUCKBOLT WITH COLLAR.
- ④ 2-IN X 0.025-IN ALUMINUM CLOSURE STRIP RIVETED ABOVE THE TOP Z AND BELOW THE BOTTOM Z OR ALUMINUM CLOSURE STRIPS ATTACHED ABOVE, BETWEEN, AND BELOW THE ZEES WITH A VERY HIGH BOND (VHB) DOUBLE ACRYLIC FOAM TAPE, OR APPROVED EQUIVALENT. MANUFACTURER'S RECOMMENDATIONS SHALL BE ADHERED TO FOR THIS APPLICATION.
- ⑤ SHEET ALUMINUM: 0.125-IN MINIMUM THICKNESS.
- ⑥ ADHESIVES SHALL BE CLASS I OR CLASS II ADHESIVES OF ASTM D4956.
- ⑦ BACKING ZEES SHALL EXTEND TO THE EDGE OF THE PANEL ON 6 FT, 7 FT & 8 FT WIDE SIGNS.



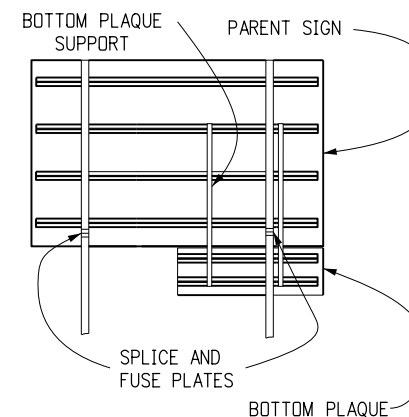
TYPICAL ELEVATION DETAIL



***TYPICAL BOTTOM PLAQUE INSTALLATION FOR GROUND SIGNS (FULL WIDTH PLAQUE SUPPORT)**

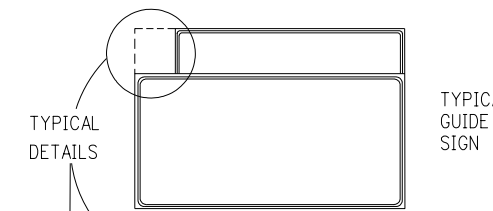


TYPICAL DETAIL SEAM CLOSURE ZEE (MULTIPLE-VERTICAL SECTIONS, HORIZONTAL SEAMS)

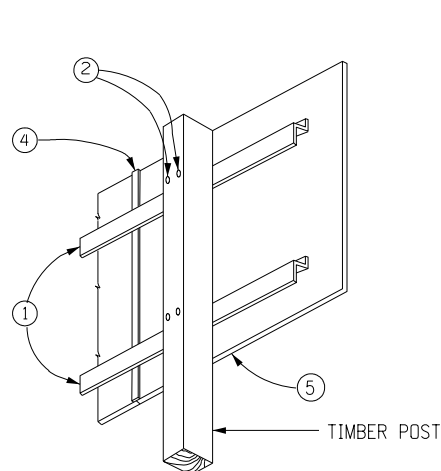


***TYPICAL BOTTOM PLAQUE INSTALLATION FOR GROUND SIGNS (PARTIAL WIDTH PLAQUE SUPPORT)**

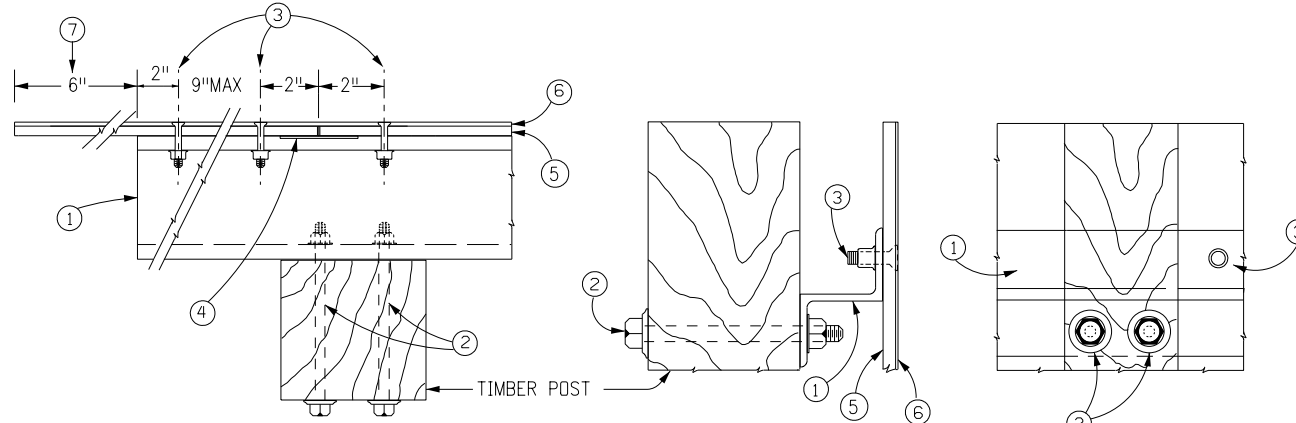
* IN NO CASE SHALL ANY PORTION OF A SIGN PANEL OR PLAQUE BE ATTACHED TO A BREAKAWAY POST BELOW THE FUSE AND SPLICE PLATES.



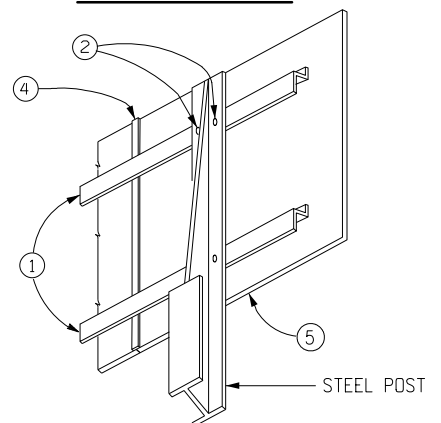
TYPICAL GUIDE SIGN



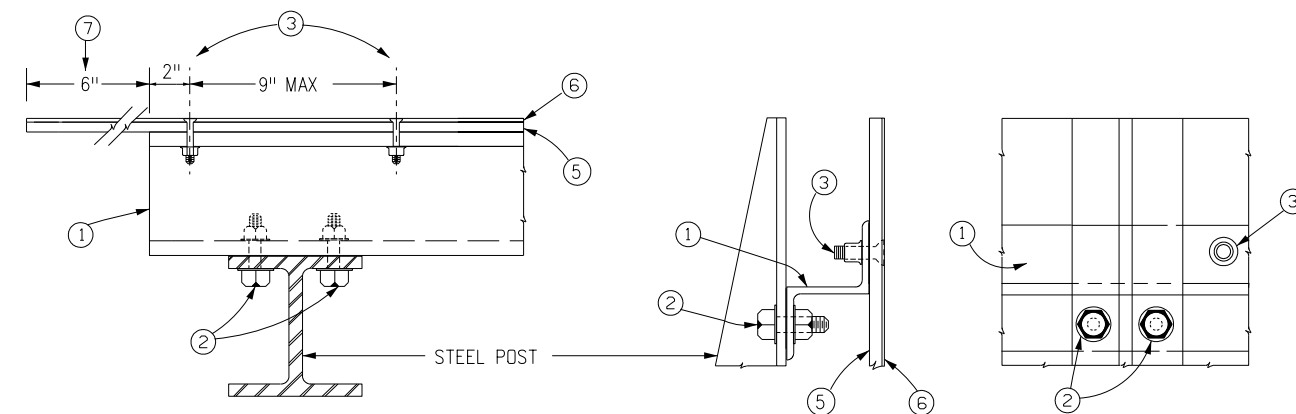
TYPICAL VIEW



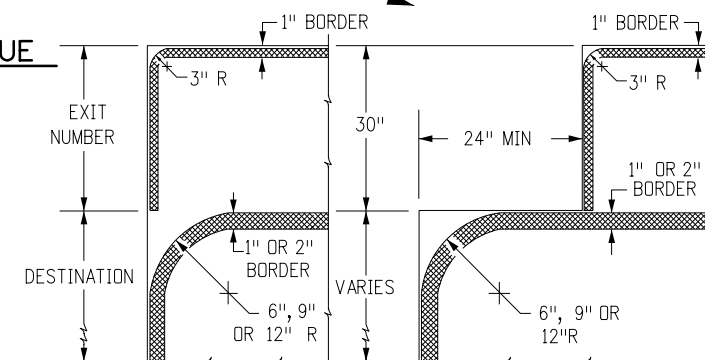
**TYPICAL TIMBER POST INSTALLATION
PANEL FABRICATION AND MOUNTING DETAILS**



TYPICAL VIEW



**TYPICAL STEEL POST INSTALLATION
PANEL FABRICATION AND MOUNTING DETAILS**



TYPICAL BORDER DETAILS WITH EXIT NUMBER

Computer File Information	
Creation Date:	07/04/12
Created By:	SCL
Last Modification Date:	12/17/14
Last Modified By:	KEN
CAD Ver.:	MicroStation V8
Scale:	Not to Scale
Units:	English

Sheet Revisions	
Date:	Comments

Colorado Department of Transportation

2829 W. Howard Pl.
Denver, CO 80204
Phone: 303-757-9436
FAX: 303-757-9219

Traffic & Safety Engineering MKB

CLASS III SIGNS

Issued By: Traffic & Safety Engineering Branch July 31, 2019

STANDARD PLAN NO.
S-614-4
Standard Sheet No. 2 of 3
Project Sheet Number:

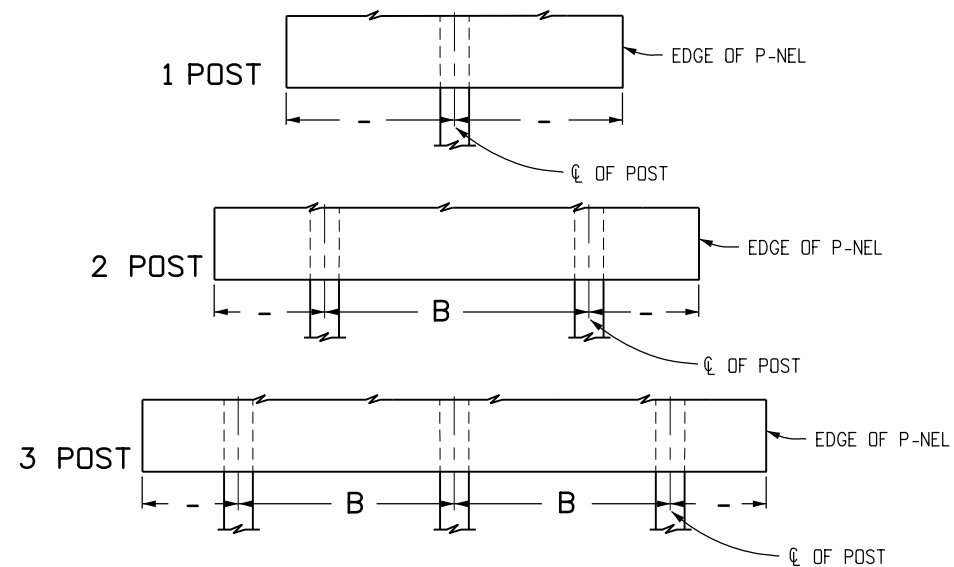
POST SP-CING T-BLE FOR SHEET ALUMINUM SIGN PANELS			
WIDTH OF SIGN	NO. OF POSTS	OVERH-NG "L"	POST SP-CING "B"
1'-6"	1	0'-9"	
2'-0"	1	1'-0"	
2'-6"	1	1'-3"	
3'-0"	1	1'-6"	
4'-0"	1	2'-0"	
5'-0"	1	2'-6"	
6'-0"	2	0'-3"	5'-6"
7'-0"	2	0'-3"	6'-6"
8'-0"	2	0'-3"	7'-6"
9'-0"	2	0'-9"	7'-6"
10'-0"	2	1'-3"	7'-6"
11'-0"	2	1'-9"	7'-6"
12'-0"	2	2'-3"	7'-6"
13'-0"	2	2'-6"	8'-0"
14'-0"	2	2'-6"	9'-0"
15'-0"	2	3'-0"	9'-0"
16'-0"	2	3'-3"	9'-6"
17'-0"	2	3'-3"	10'-6"
18'-0"	2	3'-6"	11'-0"
19'-0"	2	3'-9"	11'-6"
20'-0"	2	4'-0"	12'-0"
21'-0"	3	2'-6"	8'-0"
22'-0"	3	3'-0"	8'-0"
23'-0"	3	3'-6"	8'-0"
24'-0"	3	3'-8"	8'-4"
25'-0"	3	4'-0"	8'-6"
26'-0"	3	4'-0"	9'-0"
27'-0"	3	4'-0"	9'-6"
28'-0"	3	4'-0"	10'-0"
29'-0"	3	4'-0"	10'-6"
30'-0"	3	4'-0"	11'-0"

①, ②
①, ②
①

- ① BACKING ZEE SHALL EXTEND TO THE EDGE OF THE P-NEL, EXCEPT FOR EXIT P-NELS ATTACHED BY SQUARE STEEL TUBING.
- ② 6" X 6" TIMBER POSTS WILL NOT BE USED FOR THESE SIZES OF P-NEL.

ZEE SP-CING T-BLE FOR 3" X 2 1/16" X 2.33 ALUMINUM BACKING ZEES								
SIGN P-NEL HEIGHT	NUMBER OF ZEES	OVERH-NG "F"	SP-CING "G"	SIGN P-NEL HEIGHT	NUMBER OF ZEES	OVERH-NG "F"	SP-CING "G"	SP-CING "H"
1'-6"	2	0'-4"	0'-10"	13'-0"	7	1'-0"	1'-10"	1'-9 1/2"
2'-0"	2	0'-5"	1'-2"	14'-0"	7	0'-6"	2'-2"	2'-1 1/2"
2'-6"	2	0'-6"	1'-6"	15'-0"	7	1'-0"	2'-2"	2'-1 1/2"
3'-0"	2	0'-7"	1'-10"	16'-0"	7	0'-6"	2'-6"	2'-5 1/2"
4'-0"	2	0'-11"	2'-2"	17'-0"	7	1'-0"	2'-6"	2'-5 1/2"
5'-0"	2	1'-3"	2'-6"	18'-0"	9	0'-4"	2'-2"	2'-1 1/2"
6'-0"	3	0'-10"	2'-2"	19'-0"	9	0'-10"	2'-2"	2'-1 1/2"
7'-0"	3	1'-0"	2'-6"	20'-0"	9	1'-4"	2'-2"	2'-1 1/2"
8'-0"	4	0'-9"	2'-2"	21'-0"	9	0'-6"	2'-6"	2'-5 1/2"
9'-0"	4	1'-3"	2'-2"	22'-0"	9	1'-0"	2'-6"	2'-5 1/2"
10'-0"	4	1'-3"	2'-6"	23'-0"	11	0'-8"	2'-2"	2'-1 1/2"
11'-0"	5	1'-2"	2'-2"	24'-0"	11	1'-2"	2'-2"	2'-1 1/2"
12'-0"	5	1'-0"	2'-6"					

NOTES: FOR F, G & H. SEE DET-ILS ON SHEET 1.



TYPIC-L POST SP-CING

Computer File Information		Sheet Revisions		Colorado Department of Transportation 2829 W. Howard Pl. Denver, CO 80204 Phone: 303-757-9436 FAX: 303-757-9219 Traffic & Safety Engineering	CLASS III SIGNS Issued By: Traffic & Safety Engineering Branch July 31, 2019	STANDARD PLAN NO.	
Creation Date: 07/04/12		Date:	Comments:			S-614-4	
Created By: SCL						Standard Sheet No. 3 of 3	
Last Modification Date:						Project Sheet Number:	
Last Modified By:							
C-D Ver.: MicroStation V8 Scale: Not to Scale Units: English				MKB			