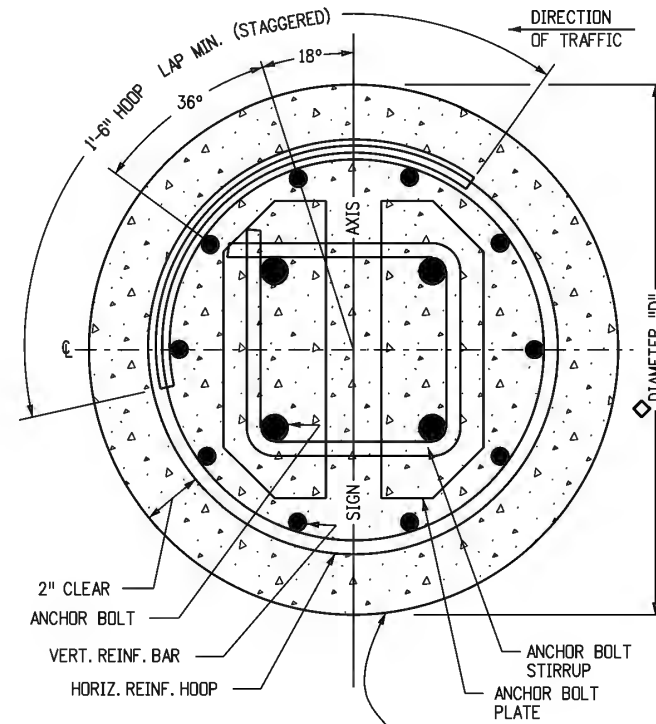
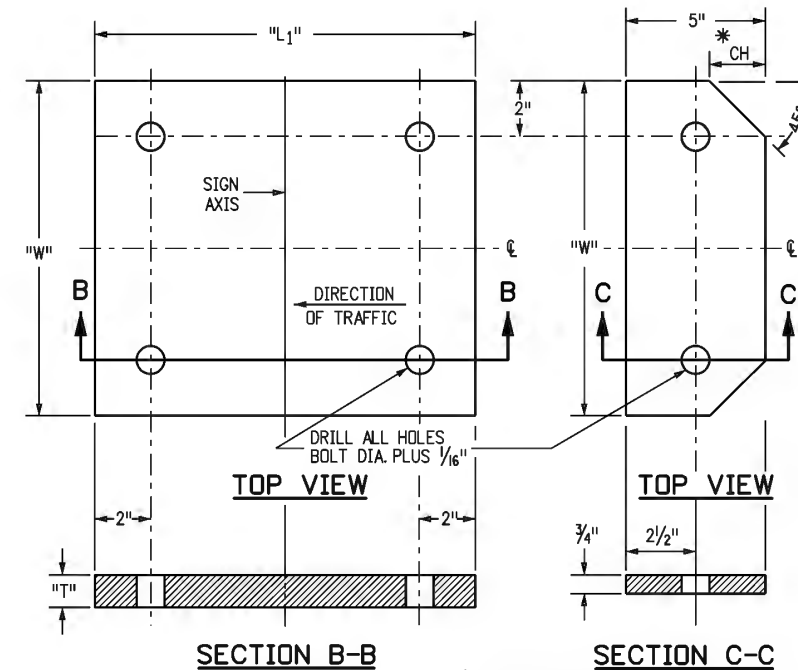


TYPICAL CONCRETE FOOTING ASSEMBLY



EXCAVATION PROCEDURE
 DRILL TO D. OF FOOTING NEAT LINE AND TO DEPTH SHOWN, AND IN ACCORDANCE WITH THE STANDARD SPECIFICATION FOR DRILLED CAISSONS. (FOOTINGS SHALL BE CAST IN PLACE AGAINST UNDISTURBED MATERIAL.)

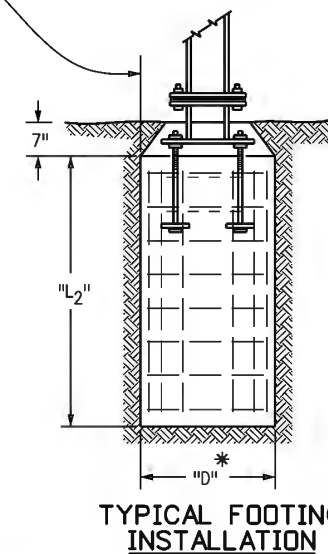
SECTION A-A



BASE PLATE TYPICAL DETAILS

BOLT PLATE TYPICAL DETAILS

* OUTSIDE CORNERS OF BOLT PLATES CHAMFERED AS SHOWN FOR FOOTING TYPES 1-4 ONLY. PLATES FOR TYPES 5-7 HAVE SQUARE CORNERS.

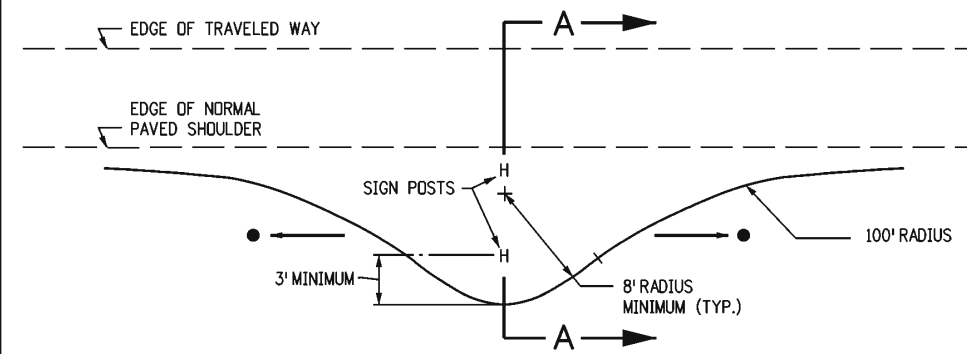


TYPICAL FOOTING INSTALLATION

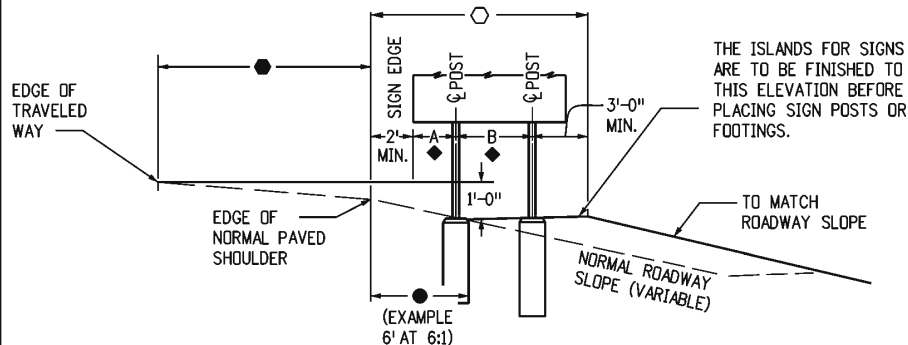
CONCRETE FOOTING TABLE															
SIZE	MAXIMUM ALLOWABLE MOMENT	POST TO BASE WELD Z	POST BASE STRUCTURAL DATA						FOOTING STRUCTURAL DATA						
			BASE PLATE			ANCHOR COMPONENTS			SIZE		REINFORCING				
			"L1"	"W"	"T"	ANCHOR BOLTS	BOLT PLATES	"CH"	STIRRUPS	"P"	TYPE	"D"	"L2"	VERT. BAR	HORIZ. HOOP
W 12X26	46.5 KIP FT.	3/8" FILLET	20 1/4"	14"	1 3/8"	4-1 1/4"ØX2'-6"	2-5"X3/4"X14"	N/A	2-1/2"Ø	6 5/8"	7	36"	10'	10-#9X9'-6"	20-#4Ø6"
W 10X26	38.9 KIP FT.	3/8" FILLET	17"	14"	1 1/4"	4-1"ØX2'-6"	2-5"X3/4"X14"	N/A	2-1/2"Ø	6 1/4"	6	30"	9'	10-#9X8'-6"	18-#4Ø6"
W 10X22	32.3 KIP FT.	3/8" FILLET	16 1/4"	14"	1 1/4"	4-1"ØX2'-6"	2-5"X3/4"X14"	N/A	2-1/2"Ø	6 1/4"	5	30"	8'	10-#8X7'-6"	16-#4Ø6"
W 8X21	24.4 KIP FT.	3/8" FILLET	15"	13 1/4"	1 1/8"	4-7/8"ØX2'-0"	2-5"X3/4"X13 1/4"	2-1/2"	2-1/2"Ø	6"	4	24"	7'	10-#8X6'-6"	14-#4Ø6"
W 8X18	20.4 KIP FT.	3/8" FILLET	14"	13 1/4"	1 1/8"	4-7/8"ØX2'-0"	2-5"X3/4"X13 1/4"	2-1/2"	2-1/2"Ø	6"	3	24"	6'	10-#7X5'-6"	12-#4Ø6"
W 6X15	13.8 KIP FT.	3/8" FILLET	14"	12 1/4"	1"	4-3/4"ØX1'-6"	2-5"X3/4"X12 1/4"	2"	2-1/2"Ø	5 3/4"	2	24"	5'	10-#6X4'-6"	10-#4Ø6"
W 6X12	8.3 KIP FT.	1/4" FILLET	13"	12"	7/8"	4-3/4"ØX1'-6"	2-5"X3/4"X12"	2"	2-1/2"Ø	5 5/8"	1	24"	4'	10-#5X3'-6"	8-#4Ø6"
6X6 TIMBER	5.0 KIP FT.	TIMBER POSTS SHALL BE SET IN DRILLED OR EXCAVATED HOLES—DEPTH SHALL BE 5 FT. FOR 6X6 POSTS AND 3 FT. FOR 4X4 POSTS UNLESS OTHERWISE NOTED ON THE TABULATION OF SIGNS IN THE PLANS. POSTS SHALL BE PLACED PLUMB, BACKFILLED WITH EXCAVATED MATERIALS, AND THOROUGHLY TAMPED INTO PLACE.													
4X4 TIMBER	1.4 KIP FT.														

* FOR MULTI-DIRECTIONAL BREAKAWAY ONLY: TYPE 1 THRU TYPE 6 FOOTINGS REQUIRE A 6 IN. INCREASE IN DIAMETER ("D") TO ACCOMMODATE ANCHORS SHOWN ON THE DETAILS INCLUDED IN THE PLANS. ALSO, HORIZONTAL REINFORCING HOOP DIAMETER WILL BE INCREASED TO MAINTAIN A 2 IN. CLEARANCE FROM THE FOOTING SIDES. VERTICAL BARS AND OTHER STRUCTURAL DATA REMAIN THE SAME. TYPE 7 FOOTINGS REQUIRE NO CHANGES.

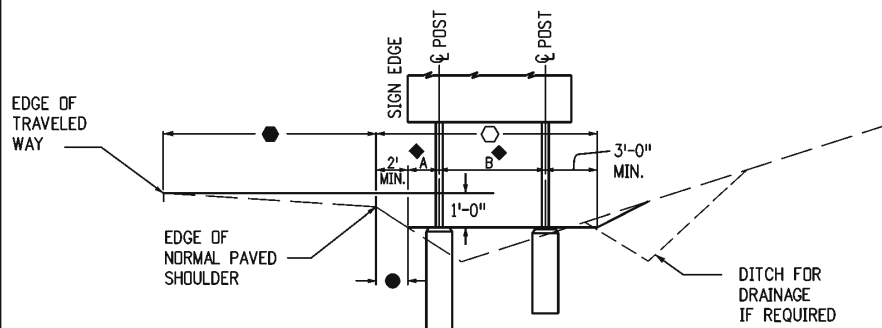
Computer File Information		Sheet Revisions		Colorado Department of Transportation		CONCRETE FOOTINGS AND SIGN ISLANDS FOR CLASS III SIGNS		STANDARD PLAN NO.	
Creation Date: 07/04/12		Date: _____		2829 W. Howard Pl.		Issued By: Traffic & Safety Engineering Branch July 31, 2019		S-614-6	
Created By: Matthews		Comments		Denver, CO 80204				Standard Sheet No. 1 of 2	
Last Modification Date: _____				Phone: 303-757-9436				Project Sheet Number: _____	
Last Modified By: _____				FAX: 303-757-9219					
CAD Ver.: MicroStation V8 Scale: Not to Scale Units: English				Traffic & Safety Engineering		MKB			



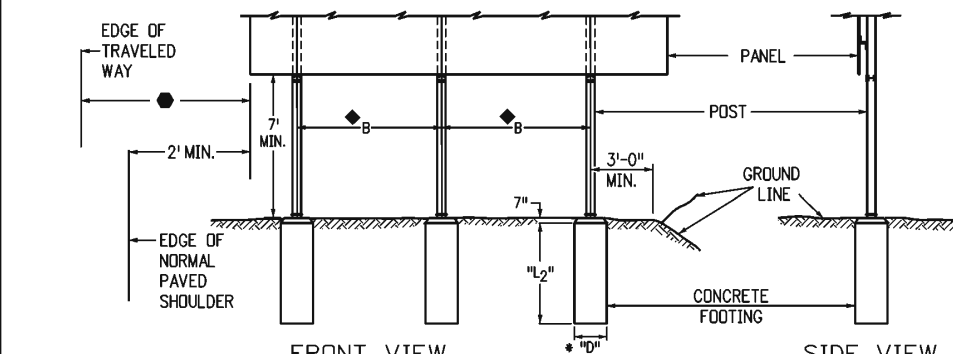
TYPICAL SIGN ISLAND PLAN



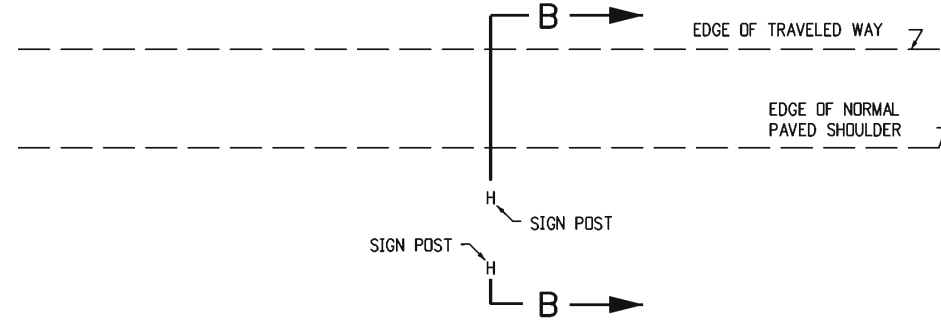
TYPICAL FILL SECTION A-A



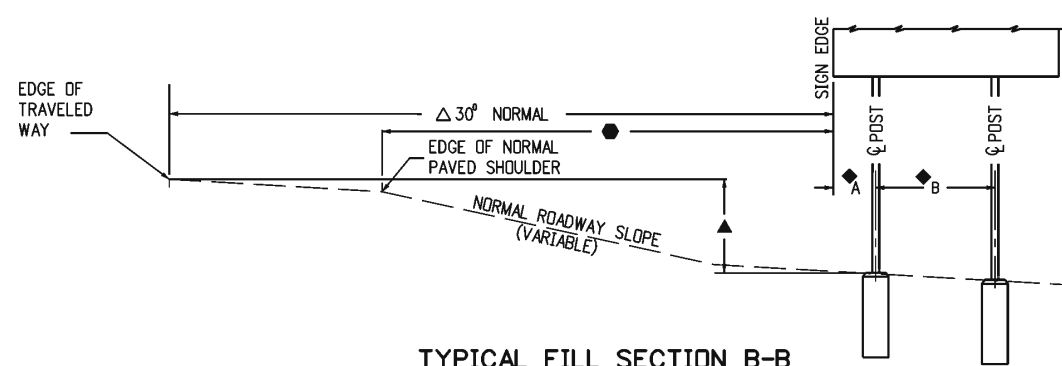
TYPICAL CUT SECTION A-A



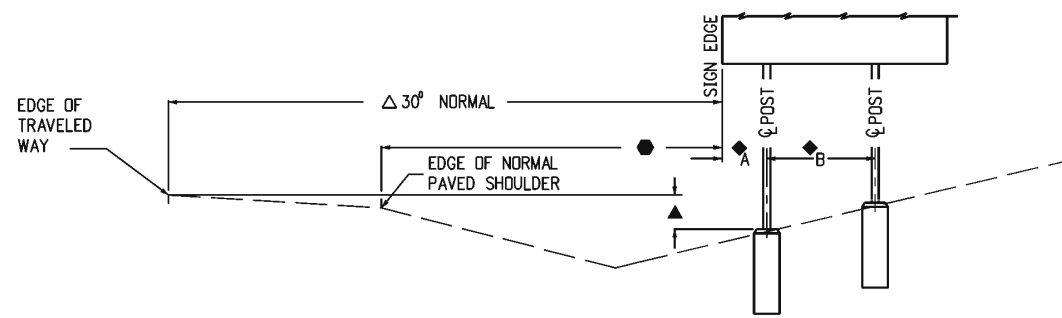
TYPICAL SIGN ISLAND ELEVATIONS



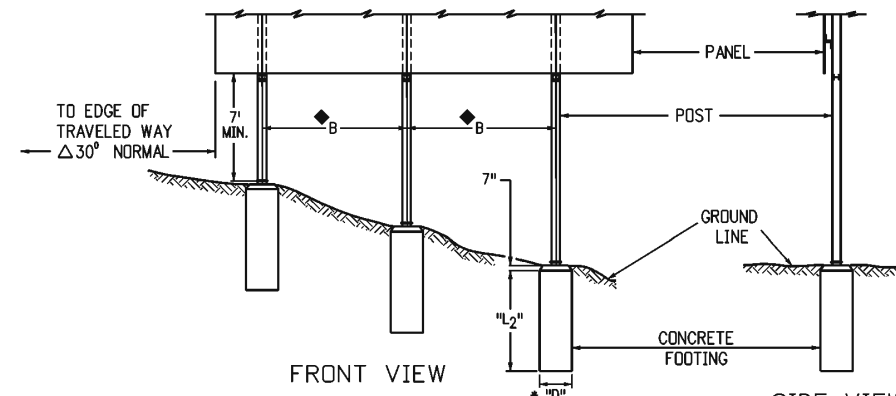
NORMAL CLEARANCE PLAN



TYPICAL FILL SECTION B-B



TYPICAL CUT SECTION B-B



TYPICAL ELEVATIONS

DETAILS OF SIGN PLACEMENT

GENERAL NOTES

1. ALL CONCRETE IS TO BE CLASS "B2" AIR ENTRAINED. GROUT SHALL CONFORM TO "JOINT MORTAR".
2. USE AASHTO M270 (ASTM A709) GRADE 36 STEEL FOR BASE PLATES AND BOLT PLATES. USE ASTM-A307 STEEL FOR ANCHOR BOLTS.
3. USE GRADE 60 FOR REINFORCING STEEL VERTICAL BARS, HORIZONTAL HOOPS, AND ANCHOR BOLT STIRRUPS.
4. FOR ALL STEEL WORK ABOVE THE BASE PLATE, AND FOR ANGULAR PLACEMENT OF SIGNS, SEE APPLICABLE STANDARDS INCLUDED IN THE PLANS.
5. FOR ADDITIONAL INFORMATION, REFER TO "TABULATION OF SIGNS" AND "CROSS SECTIONS FOR CLASS III SIGNS" INCLUDED IN THE PLANS.
6. ◆ FOR "A" AND "B" DIMENSIONS. SEE COLORADO STANDARD PLAN S-614-4.
7. ● THE SIGN ISLAND SIDE SLOPE PARALLEL TO THE ROADWAY SHALL BE 6:1 OR FLATTER. SEE TYPICAL SECTIONS.
8. ○ THE SIGN ISLAND SIDE SLOPE PARALLEL TO THE ROADWAY SHALL BE 6:1 OR FLATTER. SEE TYPICAL SECTIONS.
9. ● VARIABLE DIMENSIONS. SEE CROSS SECTIONS.
10. ▲ VARIABLE FOOTING ELEVATIONS. SEE CROSS SECTIONS FOR PLACEMENT.
11. △ THE LATERAL PLACEMENT MAY BE REDUCED TO A MINIMUM OF 2 FT. FROM THE EDGE OF NORMAL PAVED SHOULDER TO FIT FIELD CONDITIONS WHEN 30 FT. FROM THE EDGE OF THE TRAVELED WAY IS NOT FEASIBLE. SEE THE CROSS SECTIONS AND/OR TYPICAL GROUND SIGN PLACEMENT STANDARD.
12. EMBANKMENT FOR SIGN ISLANDS IS TO BE COMPACTED AS REQUIRED UNDER ITEM 203 OF THE STANDARD SPECIFICATIONS.
13. FOR ANGULAR PLACEMENT OF SIGNS, SEE COLORADO STANDARD PLAN S-614-1.
14. THE 4-INCH "BASE POST" AND LOWER "BREAK-AWAY PLATE" SHALL BE PAID FOR AS PART OF THE FOOTING.

Computer File Information	
Creation Date:	07/04/12
Created By:	Matthews
Last Modification Date:	09/16/13
Last Modified By:	Crayton
CAD Ver.:	MicroStation V8
Scale:	Not to Scale
Units:	English

Sheet Revisions	
Date:	Comments

Colorado Department of Transportation
 2829 W. Howard Pl.
 Denver, CO 80204
 Phone: 303-757-9436
 FAX: 303-757-9219

Traffic & Safety Engineering **MKB**

CONCRETE FOOTINGS AND SIGN ISLANDS FOR CLASS III SIGNS

Issued By: Traffic & Safety Engineering Branch July 31, 2019

STANDARD PLAN NO.
 S-614-6
Standard Sheet No. 2 of 2
 Project Sheet Number: