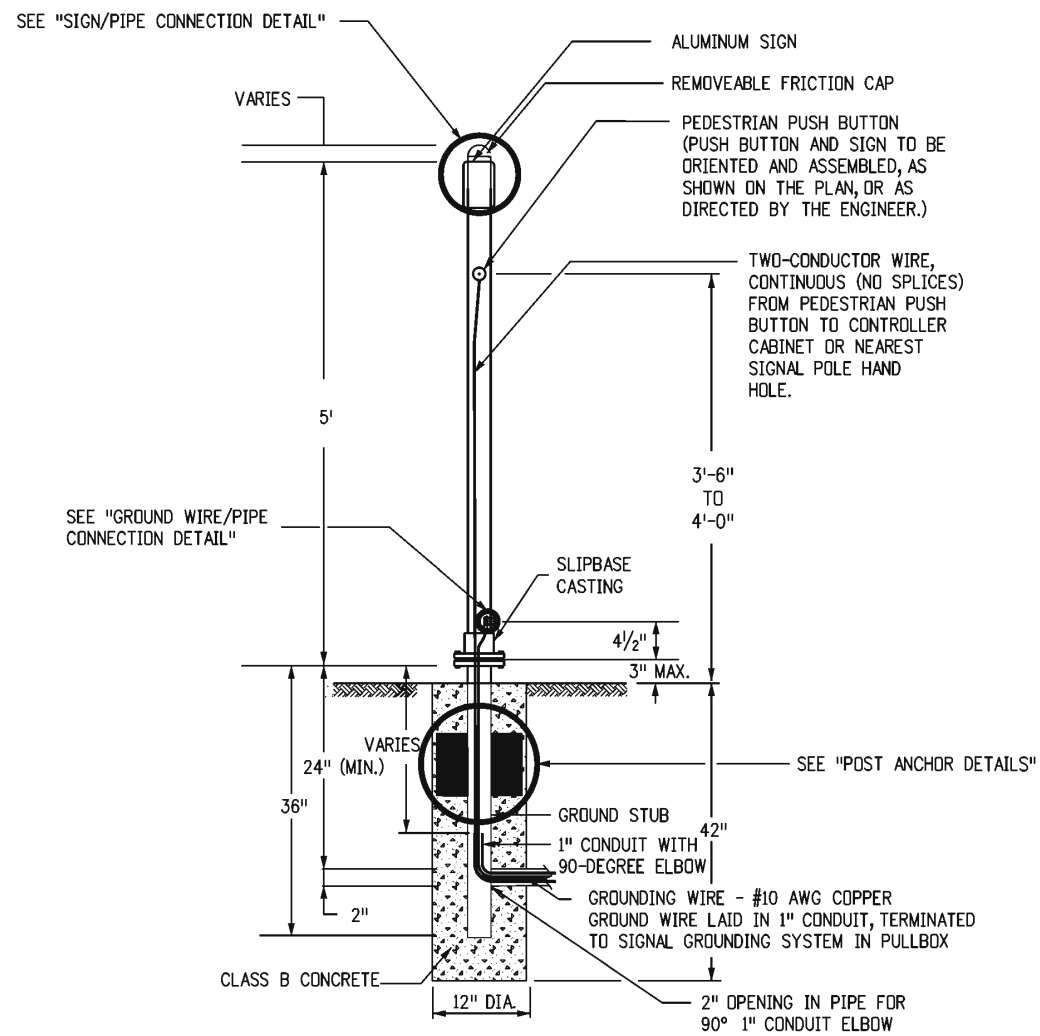
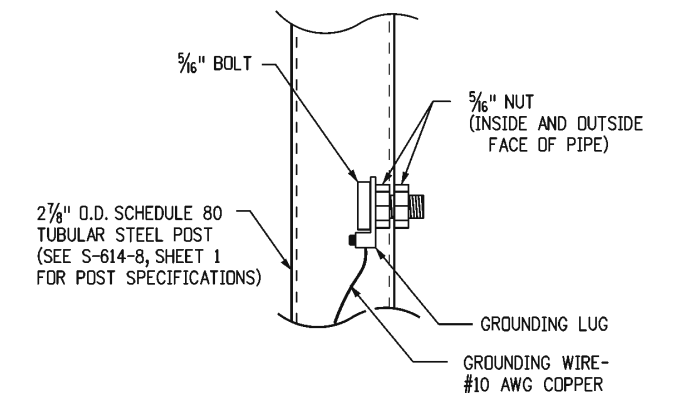
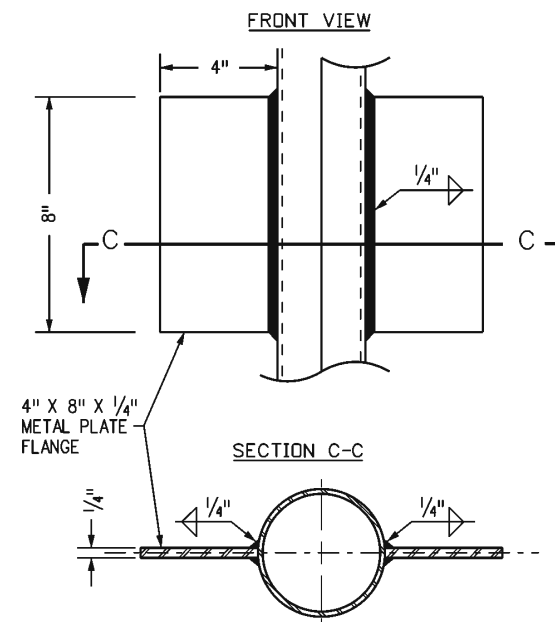
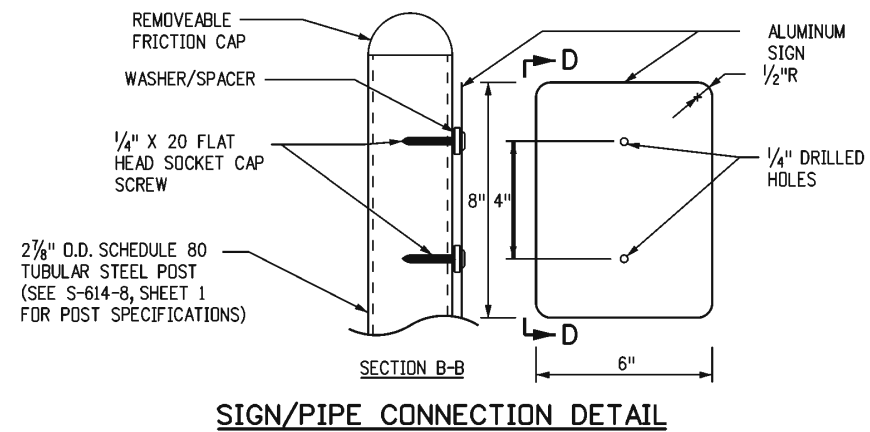


GENERAL NOTE

1. THE CONTRACTOR SHALL INSTALL THE POSTS PER THE MANUFACTURER'S RECOMMENDATIONS WITHOUT ADDITIONAL COMPENSATION.
2. ALL POST SHALL BE GALVANIZED AND PAINTED WITH THE COLOR SPECIFIED IN THE PLANS.
3. PUSH BUTTONS SHALL BE ADA COMPLIANT AND MEET THE PROVISIONS FOUND IN "SECTION 4E.08 THROUGH 4E.13 - PEDESTRIAN DETECTORS" IN THE 2009 MUTCD WITH REVISION 1 AND 2.
4. CONCRETE SHALL BE SAW-CUT TO A NEAT LINE. TO PLACE 1" CONDUIT, BACK FILL THE TRENCH WITH FLOW FILL. TOP OF TRENCH SHALL BE CONCRETE CLASS B AT A DEPTH MATCHING SURROUNDING DEPTH OF CONCRETE.

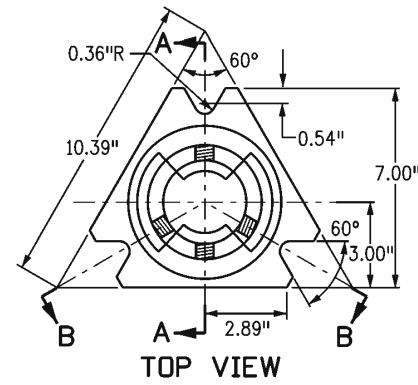


TUBULAR STEEL POSTS WITH SLIPBASE (SINGLE POST)



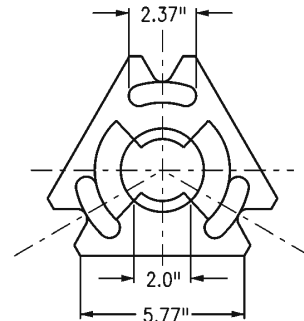
GROUND WIRE/PIPE CONNECTION DETAIL

Computer File Information		Sheet Revisions		<p>Colorado Department of Transportation</p> <p>2829 W. Howard Pl. Denver, CD 80204 Phone: 303-757-9436 FAX: 303-757-9219</p> <p>Traffic & Safety Engineering MKB</p>	<p>PEDESTRIAN PUSH BUTTON POST ASSEMBLY</p> <p>Issued By: Traffic & Safety Engineering Branch July 31, 2019</p>	STANDARD PLAN NO.
Creation Date: 07/04/12		Date:	Comments			S-614-9
Created By: Lee						Standard Sheet No. 1 of 2
Last Modification Date: 05/24/16						Project Sheet Number:
Last Modified By: Crayton						
CAD Ver.: MicroStation V8 Scale: Not to Scale Units: English						

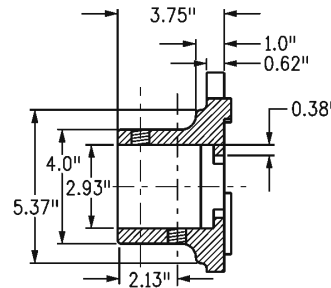


TOP VIEW

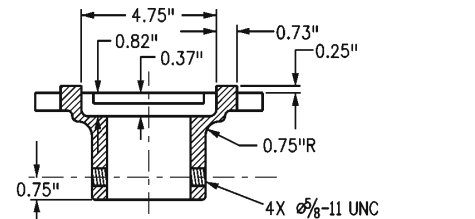
DIRECTION OF TRAVEL



BOTTOM VIEW



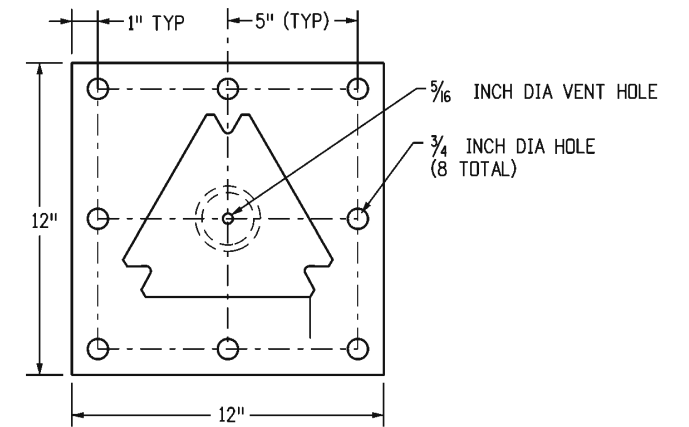
SECTION A-A



SECTION B-B

SLIPBASE CASTING

BASE PLATE FABRICATION REQUIREMENTS:
 BASE PLATE: 3/4 INCH ASTM A 36 PLATE STEEL
 PIPE STUB: 3 INCH NOMINAL SCHEDULE 80, ASTM A 500 GR B
 TOP PLATE: MEET REQUIREMENTS OF STD PLAN NO. S-614-8, SHT 3 OF 6
 MEET ASTM A 123 GALVANIZING AFTER FABRICATION IS COMPLETED.

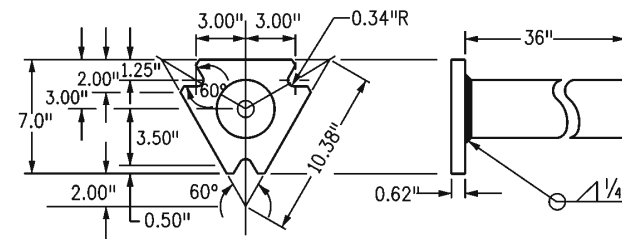


BASE PLATE DETAIL

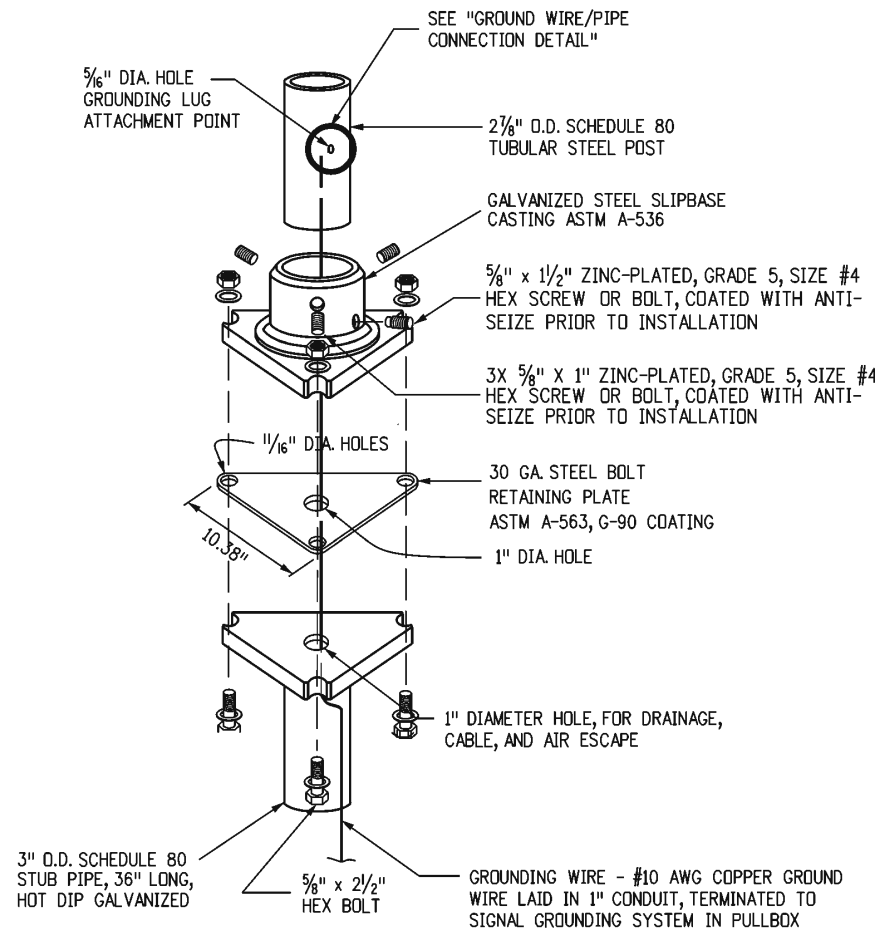
SLIPBASE WILL MEET REQUIREMENTS OF STD PLAN NO. S-614-8 SLIPBASE STUB POST DETAIL EXCEPT FOR OVERALL HEIGHT

5/8" x 3/4" SOCKET SET FULL DOG SCREW (ZINC PLATED)

3X 5/8" x 3/4" SOCKET SET CUP SCREW (ZINC PLATED) OR 3X 5/8" x 1" CAP SCREW



SLIPBASE STUB POST



TYPICAL SLIPBASE ASSEMBLY

SURFACE MOUNT SLIPBASE TUBULAR STEEL SIGN BASE REQUIREMENTS

FOR 2-7/8 INCH POSTS (P1 OR P2 POSTS)
 FOR CONCRETE SURFACES GREATER THAN 7 INCHES THICK
 FOR CONCRETE SURFACES GREATER THAN 12 INCHES IN WIDTH

MOUNTING HARDWARE

- 8 - EACH 5/8" x 5/2 INCH LONG "HILTI KWIK HUS-EZ SCREW ANCHORS
- 16 - EACH 5/8 INCH FLAT WASHERS
- 8 - EACH 5/8 INCH LOCK WASHERS
- 8 - EACH 5/8 INCH NUTS

INSTALLATION REQUIREMENTS:

DRILL: (8) - 5/8 INCH HOLES 6 INCH DEEP, CLEAN HOLE PRIOR TO INSTALLING ANCHORS
 USE ADDITIONAL WASHERS FOR SHIMMING TO LEVEL BASE PLATE.

ALL HARDWARE WILL BE GALVANIZED OR ZINC PLATED.

SURFACE MOUNT SLIPBASE TUBULAR STEEL SIGN BASE NOTES

1. REFER TO SIGNING PLANS FOR SIGN LOCATIONS AND HEIGHT
2. MINIMUM ALLOWABLE TENSION CAPACITY FOR WEDGE ANCHORS = 3000 LBS.
3. MAXIMUM ALLOWABLE MOMENT FOR SIGN BASE = 5.13 kip-ft.

CAST-IN-PLACE SLIPBASE INSTALLATION

RETRO-FIT SLIPBASE INSTALLATION

Computer File Information		Sheet Revisions		Colorado Department of Transportation 2829 W. Howard Pl. Denver, CO 80204 Phone: 303-757-9436 FAX: 303-757-9219 Traffic & Safety Engineering	PEDESTRIAN PUSH BUTTON POST ASSEMBLY Issued By: Traffic & Safety Engineering Branch July 31, 2019	STANDARD PLAN NO.	
Creation Date: 07/04/12		Date:	Comments			S-614-9	
Created By: Lee						Standard Sheet No. 2 of 2	
Last Modification Date: 05/24/16						Project Sheet Number:	
Last Modified By: DiNardo							
CAD Ver.: MicroStation V8 Scale: Not to Scale Units: English				MKB			