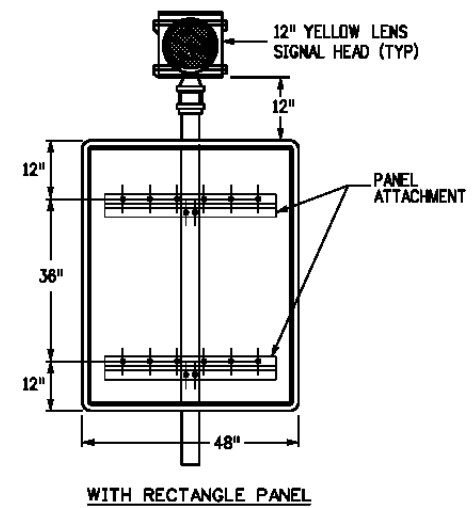
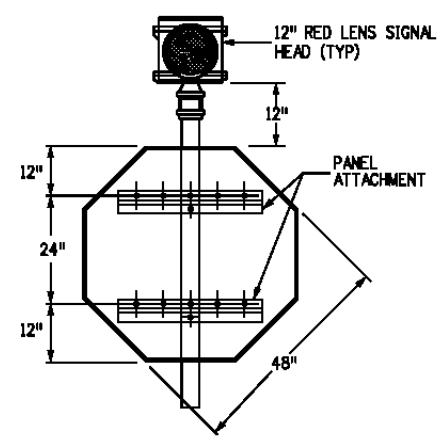


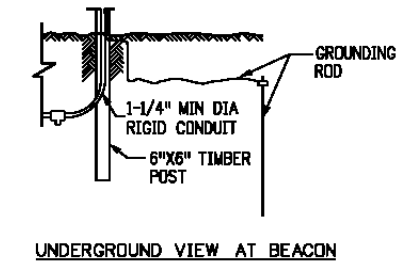
TYPICAL ELEVATION FACING TRAFFIC



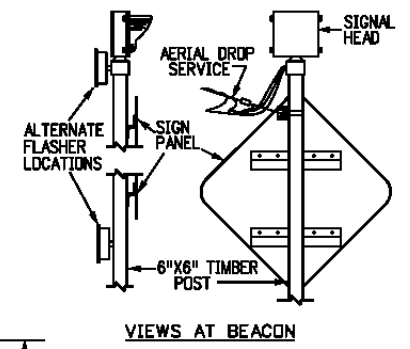
WITH RECTANGLE PANEL



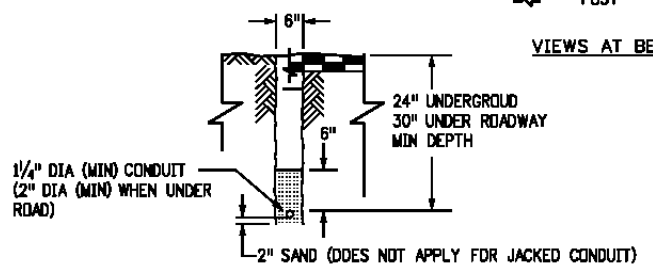
WITH OCTAGON PANEL



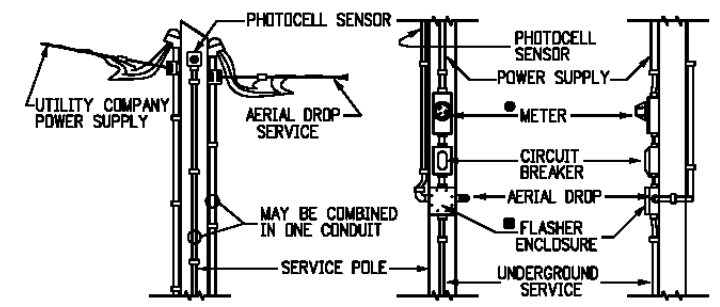
UNDERGROUND VIEW AT BEACON



VIEWS AT BEACON

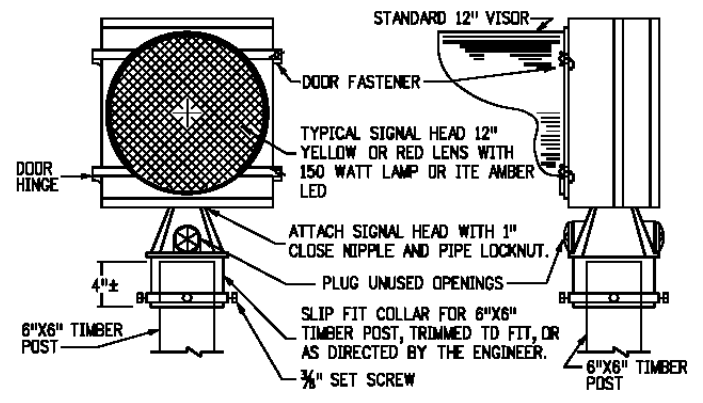


TRENCHING DETAIL

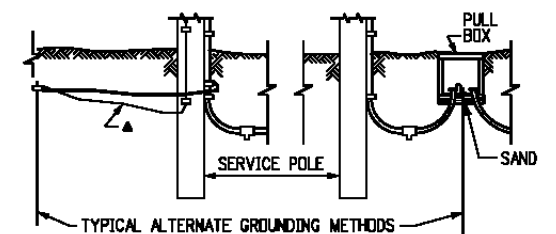


VIEW AT POWER SOURCE

VIEWS AT ENCLOSURES



TYPICAL SIGNAL HEAD - 12\"/>



UNDERGROUND VIEWS AT POWER SOURCE

LOCATION AND CONFIGURATION OF ELECTRICAL EQUIPMENT IS DIAGRAMMATIC ONLY (USE ANY METHOD COMPLYING WITH THE GENERAL NOTES)

TYPICAL ELECTRICAL SERVICE DETAILS

GENERAL NOTES

1. ALL ELECTRICAL MATERIALS AND WORKMANSHIP SHALL CONFORM TO THE LATEST REQUIREMENTS OF THE NEC, NEMA, UL OR EIA WHEREVER APPLICABLE, ANY STATE AND LOCAL CODES OR ORDINANCES WHICH MAY APPLY, AND THE FOLLOWING:
 - A. IT IS THE CONTRACTOR'S RESPONSIBILITY TO OBTAIN A POWER SOURCE.
 - B. THE CONTRACTOR IS TO PROVIDE ALL NECESSARY WIRING WITHIN THE BEACON AND FROM THERE TO THE POWER SOURCE. THE UTILITY COMPANY WILL MAKE THE CONNECTION WITH THE CONTRACTOR'S WIRING.
 - C. THE ELECTRICAL SERVICE BETWEEN A REMOTE POWER SOURCE AND THE FLASHING BEACON SHALL BE UNDERGROUND OR AERIAL DROPPED AS AUTHORIZED BY THE ENGINEER.
 - D. IF POWER IS SUPPLIED BY SOLAR PANELS, THE SOLAR PANELS AND POWER BOX SHOULD BE MOUNTED ON A SEPARATE POST BEYOND THE CLEAR ZONE OR BEHIND GUARD RAIL OR BARRIER. WHERE THIS IS NOT POSSIBLE THE PANELS MUST BE A MINIMUM HEIGHT OF 7 FEET FROM THE BASE OF THE POST AND SHALL FACE AWAY FROM TRAFFIC. POWER BOXES SHALL BE BURIED SO THAT NO MORE THAN 4 INCHES OF THE BOX IS ABOVE GROUND. THE "FLASHER" SHALL BE HOUSED IN A SUITABLE ENCLOSURE ON THE UTILITY POLE AT THE POWER SOURCE UNLESS THE ENGINEER DIRECTS THAT THE ENCLOSURE BE MOUNTED ON THE BEACON POST OR THAT THE DEVICE MAY BE CONTAINED WITHIN THE SIGNAL HEAD ITSELF.
 - E. A SUITABLE ENCLOSURE FOR THE FLASHER SHALL BE PROVIDED. A RAIN TIGHT JUNCTION BOX OR CAN, WITH A SURFACE MOUNT MEASURING APPROXIMATELY 8 INCHES X 8 INCHES X 4 INCHES, WITH A FLANGED SCREW ATTACHED COVER, AND FABRICATED FROM NOT LESS THAN 16 GAGE GALVANIZED STEEL, SHALL BE PROVIDED.
 - F. A BUILT-IN RADIO INTERFERENCE SUPPRESSION DEVICE AND A PHOTOCELL SENSOR TYPE SIGNAL LAMP DIMMER SHALL BE PROVIDED FOR EACH FLASHING BEACON.
 - G. AN AUTOMATIC AND MANUAL MECHANISM FOR TURNING OFF THE FLASHER, APPROVED BY THE ENGINEER, SHALL BE PROVIDED. IF THE FIELD CONDITION DOES NOT WARRANT THE USE OF THE SIGN, THE FLASHING BEACON SHALL BE TURNED OFF AND THE SIGN SHALL BE COVERED WITH THE APPROPRIATE MATERIAL AS APPROVED BY THE ENGINEER OR THE SIGN SHALL BE TURNED SO IT IS NOT FACING TRAFFIC.
2. TIMBER POSTS SHALL BE IN ACCORDANCE WITH SECTION 614 OF THE STANDARD SPECIFICATIONS AS TO SIZE, ALTERNATE SIZE, GRADE, SPECIES, TREATMENT, AND BREAKAWAY HOLES.
3. FOR LATERAL AND VERTICAL PLACEMENT OF FLASHING BEACON (PORTABLE), SEE COLORADO STANDARD PLAN S-614-1.
4. SIGNS MOUNTED ON THE MEDIAN OF DIVIDED HIGHWAYS WHERE MEDIAN BARRIER IS IN PLACE SHALL NOT USE A MOUNTING THAT "STRADDLES" MULTIPLE BARRIERS. THEY MAY BE MOUNTED ON A SINGLE BARRIER WITH A "SADDLE" TYPE BRACKET. IF THE BRACKET ALLOWS THE SIGN PANEL TO BE TURNED PARALLEL TO THE ROADWAY, THE SIGN MAY REMAIN IN PLACE WHEN NOT APPLICABLE, BUT LAYING THE SIGN PANEL DOWN IN A HORIZONTAL POSITION IS NOT PERMITTED. ALL OTHER SIGNS THAT ARE NOT IN USE SHALL BE REMOVED FROM THE SHOULDER AND CLEAR ZONE, SOLAR PANELS SHALL NOT BE PLACED ON TOP OF BARRIER OR WITHIN A MEDIAN.
5. BACKING ZEE PANEL ATTACHMENT IS NOT REQUIRED. IF USED, SEE COLORADO STANDARD PLAN S-614-3.

LEGEND

- ▲ EXISTING GROUND AT SERVICE POLE; OTHERWISE PULL THRU CONDUIT OR ATTACH TO CONDUIT AND TAP OFF UNDERGROUND
- PROVIDE WEEP HOLE WITH AERIAL DROP SERVICE
- OPTIONAL (PER UTILITY COMPANY REQUIREMENTS)

Computer File Information	
Creation Date:	07/04/12
Created By:	Lee
Last Modification Date:	
Last Modified By:	
CAD Ver.: MicroStation V8 Scale: Not to Scale Units: English	

Sheet Revisions	
Date:	Comments

Colorado Department of Transportation

2829 W. Howard Pl.
Denver, CO 80204
Phone: 303-757-9436
FAX: 303-757-9219

Traffic & Safety Engineering MKB

**FLASHING BEACON
(PORTABLE) DETAILS**

Issued By: Traffic & Safety Engineering Branch August 1, 2019

STANDARD PLAN NO.

S-630-3

Standard Sheet No. 1 of 1

Project Sheet Number: