

TYPICAL SIGN SIZES:
24" X 36"
36" X 42"

TYPICAL SIGN SIZES:
30" X 30"
36" X 36"

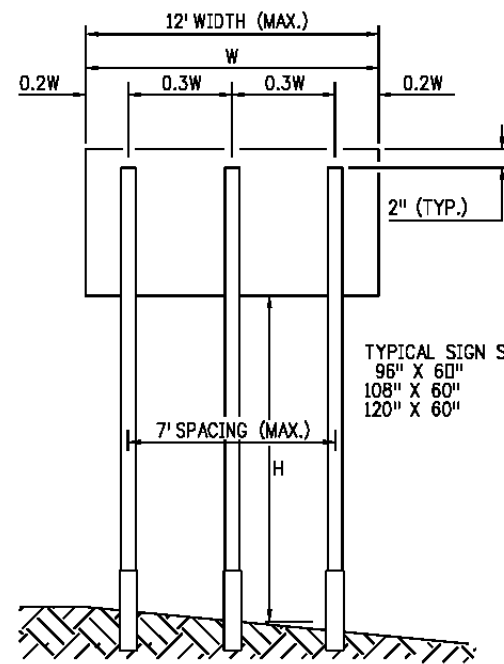
● SIGN POST REQUIREMENTS

POST TYPE	POST SIZE	MAX. CLEAR HEIGHT, H (FT.)	MAX. SIGN AREA (SF)
SQUARE TUBING	2.25" X 2.25" (12 GA.)	10	10.5
SQUARE TUBING	1.75" X 1.75" (12 GA.)	9	5
SQUARE TUBING	2.00" X 2.00" (12 GA.)	8	8
SQUARE TUBING	2.25" X 2.25" (12 GA.)	9	10.5
SQUARE TUBING	1.75" X 1.75" (12 GA.)	8	6
SQUARE TUBING	2.00" X 2.00" (12 GA.)	8	9
SQUARE TUBING	1.75" X 1.75" (12 GA.)	7	7
SQUARE TUBING	2.00" X 2.00" (12 GA.)	7	10

* SINGLE POST SHALL BE PLACED IN THE CENTER OF THE SIGN

SINGLE POST INSTALLATION

(TOTAL SIGN AREA NOT TO EXCEED 10.5 SF)



● SIGN POST REQUIREMENTS

POST TYPE	POST SIZE	MAX. CLEAR HEIGHT, H (FT.)	MAX. SIGN AREA (SF)
△ U-CHANNEL	3 LB./FT.	11	36
△ SQUARE TUBING	2.50" X 2.50" (10 GA.)	9	45
△ SQUARE TUBING	2.50" X 2.50" (10 GA.)	7	50
○ SQUARE TUBING	2.50" X 2.50" (10 GA.)	11	36
○ SQUARE TUBING	2.50" X 2.50" (10 GA.)	9	45

TYPICAL SIGN SIZES:
96" X 60"
108" X 60"
120" X 60"

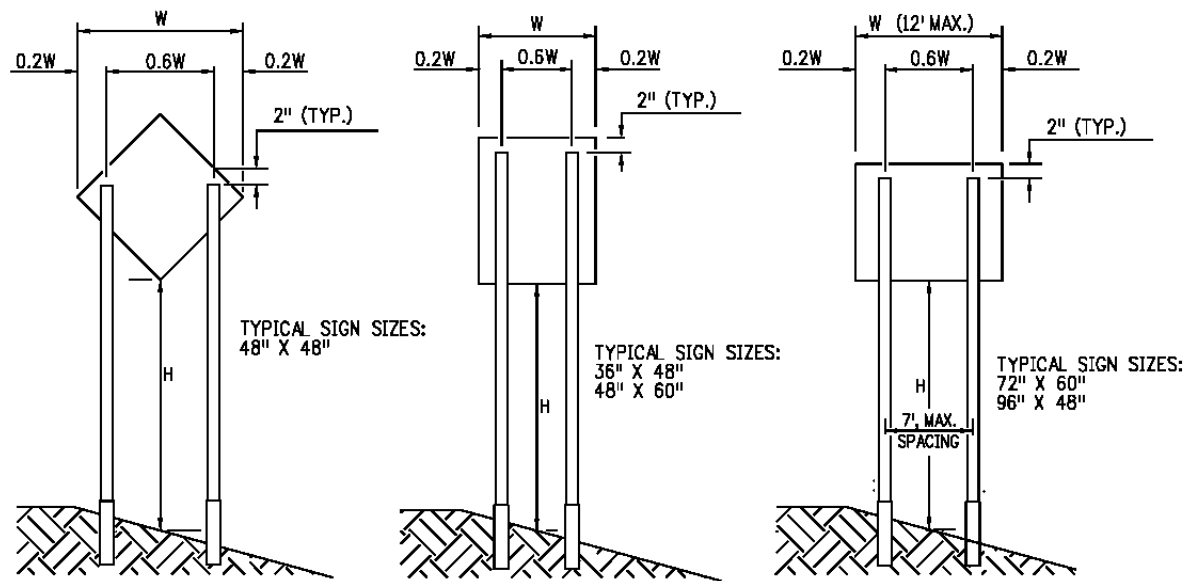
TRIPLE POST INSTALLATION

(TOTAL SIGN AREA NOT TO EXCEED 50 SF)

- GENERAL NOTES**
- ALL SQUARE TUBING SIGN POST REQUIREMENTS ARE BASED ON A 10 OR 12-GAUGE THICKNESS, ASTM A570 GRADE 50 STEEL, A MINIMUM YIELD STRENGTH OF 60,000 PSI AND A 70 MPH WIND LOAD. ALL U-CHANNEL SIGN POSTS REQUIREMENTS ARE BASED ON A MINIMUM YIELD STRENGTH OF 80,000 PSI AND 85 MPH WIND LOAD.
 - STEEL POSTS, BASE POSTS, AND SLIP BASES FOR ALUMINUM PANEL SIGNS SHALL BE SELECTED FROM THE CDDT APPROVED PRODUCT LIST.
 - BASE POSTS SHALL NOT EXTEND MORE THAN 4" ABOVE GROUND LEVEL AND SHALL BE OF THE SAME WEIGHT/GAUGE AND TYPE AS THE SIGN POST.
 - INTERMIXING OF U-CHANNEL AND SQUARE TUBING POSTS, POSTS OF DIFFERENT WEIGHTS/GAUGES OR PRODUCT BRANDS IS PROHIBITED.
 - SUPPLEMENTAL SIGNS SHALL NOT BE ATTACHED DIRECTLY TO PRIMARY PANELS.
 - SPACING BETWEEN SUPPLEMENTAL PANELS AND PRIMARY PANELS SHALL NOT EXCEED 6".
 - SIGN PANELS PLACED PARALLEL TO TRAFFIC SHALL BE MOUNTED ON A MULTI-DIRECTIONAL BREAKAWAY SYSTEM. (SEE STANDARD PLAN S-630-4, SHEET 2)
 - AN APPROVED SLIP BASE IS REQUIRED WITH THE DOUBLE POST AND TRIPLE POST INSTALLATION. (SEE STANDARD PLAN S-630-4, SHEET 2).
 - SEE MANUFACTURER'S DRAWINGS FOR SPECIFIC ASSEMBLY INFORMATION (POST-TO-BASE POST OVERLAP), INCLUDING TYPES OF NUTS, BOLTS, WASHERS, AND OTHER PARTS REQUIRED FOR PRODUCT USE.
 - LAP-SPLICE OR MULTI-DIRECTIONAL SLIP BASE MAY BE USED. SEE STANDARD PLAN S-630-4, SHEET 2.

LEGEND

- SEE GENERAL NOTE 1.
- ▲ SEE GENERAL NOTE 4.
- △ SEE GENERAL NOTE 8.
- SEE GENERAL NOTE 9.
- SEE GENERAL NOTE 10.



TYPICAL SIGN SIZES:
48" X 48"

TYPICAL SIGN SIZES:
36" X 48"
48" X 60"

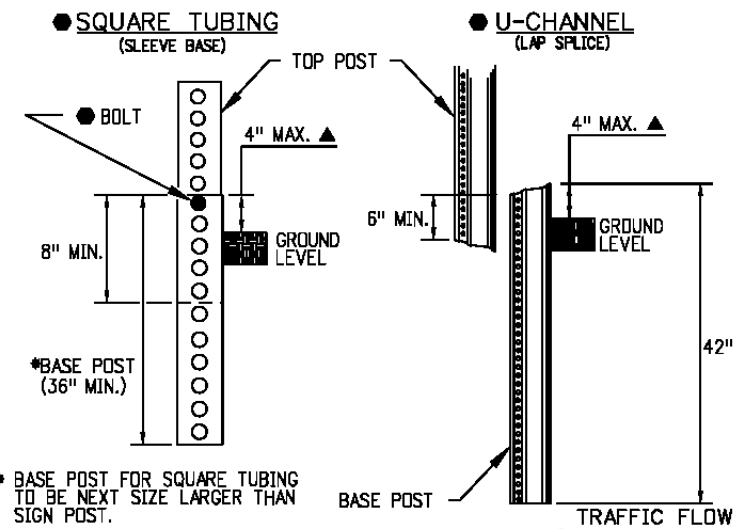
TYPICAL SIGN SIZES:
72" X 60"
96" X 48"

● SIGN POST REQUIREMENTS

POST TYPE	POST SIZE	MAX. CLEAR HEIGHT, H (FT.)	MAX. SIGN AREA (SF)
SQUARE TUBING	2.25" X 2.25" (12 GA.)	11	13
SQUARE TUBING	2.25" X 2.25" (12 GA.)	9	15
SQUARE TUBING	2.25" X 2.25" (12 GA.)	8	16
SQUARE TUBING	2.25" X 2.25" (12 GA.)	7	20
△ U-CHANNEL	3 LB./FT.	11	25
△ U-CHANNEL	3 LB./FT.	9	30
△ SQUARE TUBING	2.50" X 2.50" (10 GA.)	7	36

DOUBLE POST INSTALLATION

(TOTAL SIGN AREA NOT TO EXCEED 30 SF)



* BASE POST FOR SQUARE TUBING TO BE NEXT SIZE LARGER THAN SIGN POST.

BASE POST INSTALLATION DETAILS
FOR SQUARE TUBING AND U-CHANNEL SYSTEMS
(SEE STANDARD PLAN S-630-4, SHEET 2 FOR MULTI-DIRECTIONAL SLIP BASE SYSTEMS)

Computer File Information	
Creation Date:	07/04/12
Created By:	KEN
Last Modification Date:	
Last Modified By:	
CAD Ver.:	MicroStation V8
Scale:	Not to Scale
Units:	English

Sheet Revisions	
Date:	Comments

Colorado Department of Transportation

2829 W. Howard Pl.
Denver, CO 80204
Phone: 303-757-9436
FAX: 303-757-9219

Traffic & Safety Engineering MKB

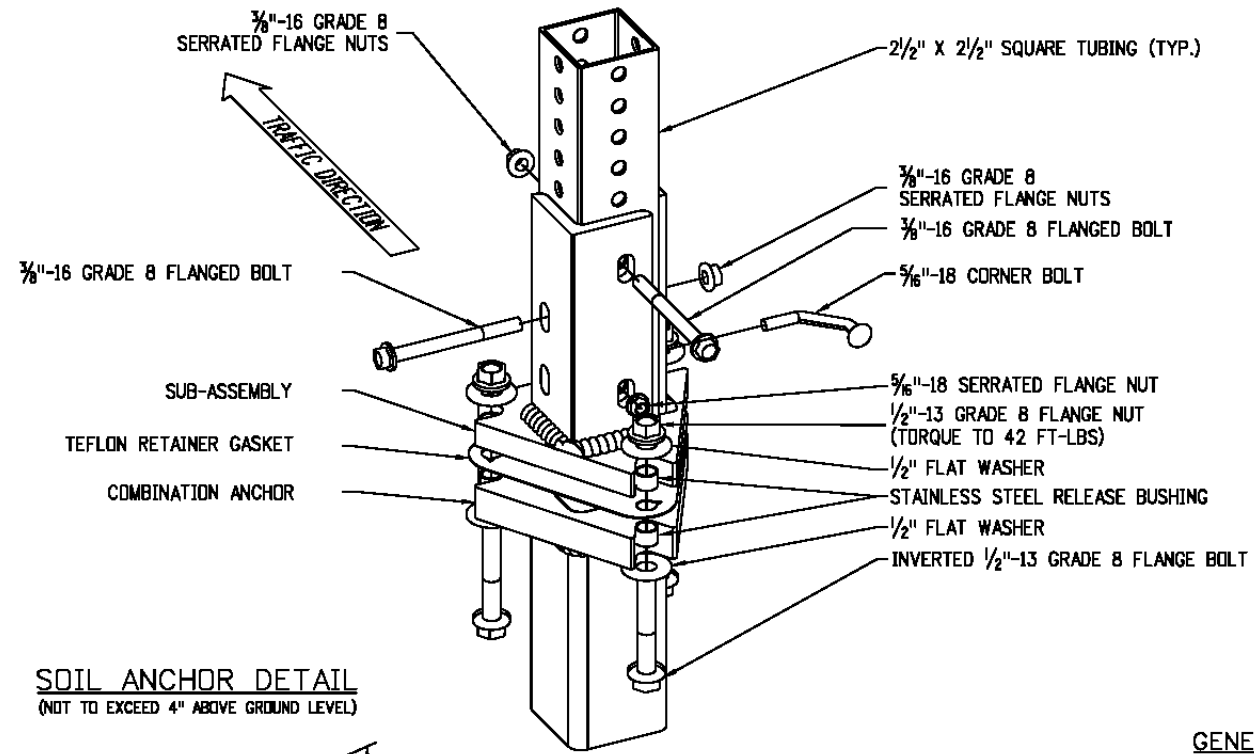
**STEEL SIGN SUPPORT
(TEMPORARY)
INSTALLATION DETAILS**

Issued By: Traffic & Safety Engineering Branch July 31, 2019

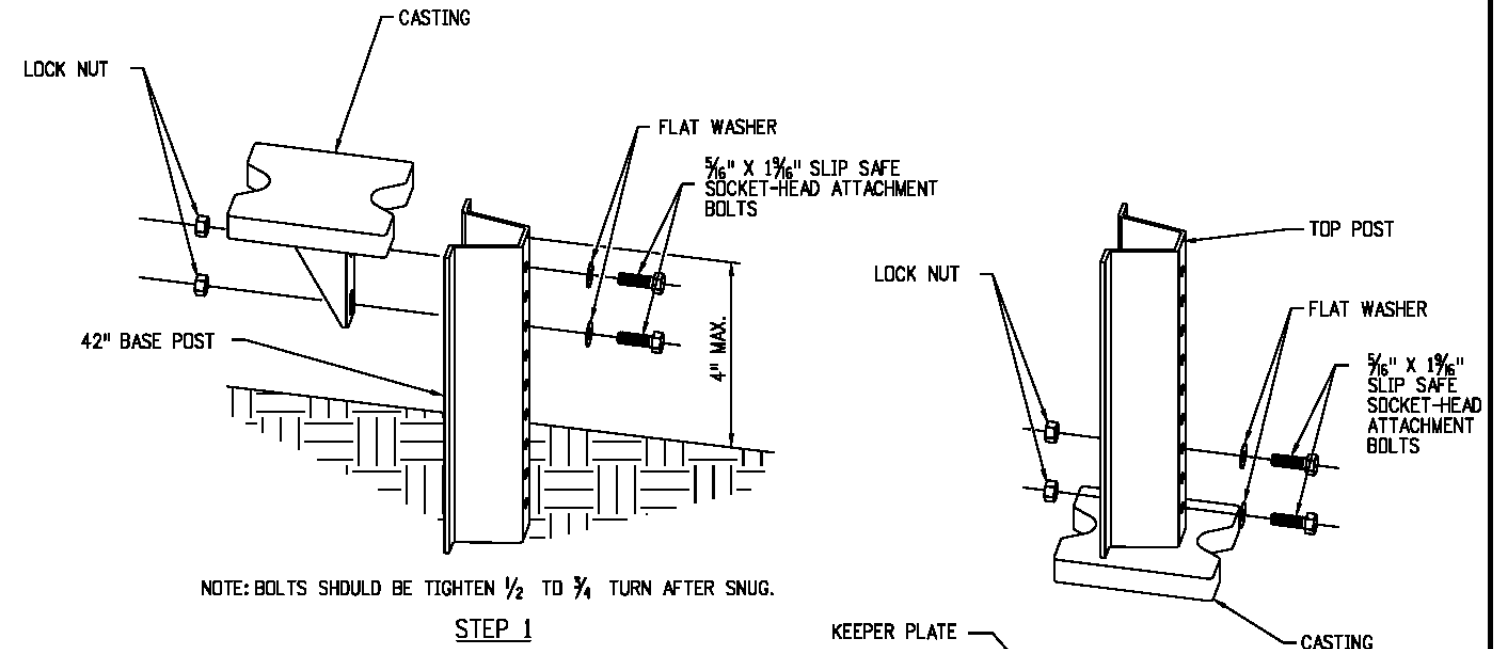
STANDARD PLAN NO.
S-630-4
Standard Sheet No. 1 of 2

Project Sheet Number:

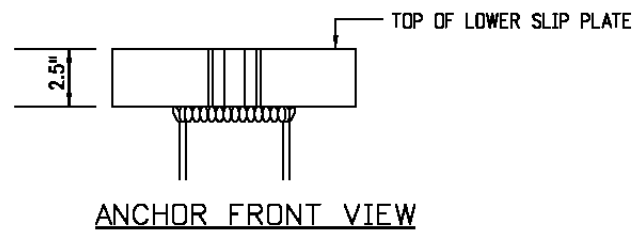
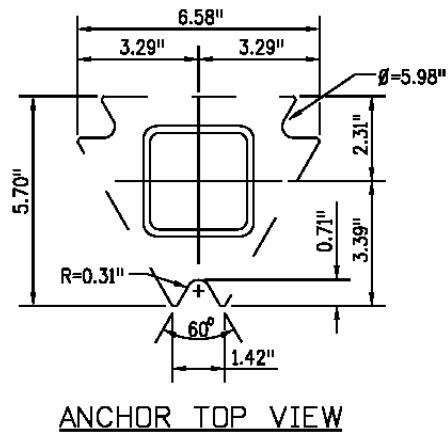
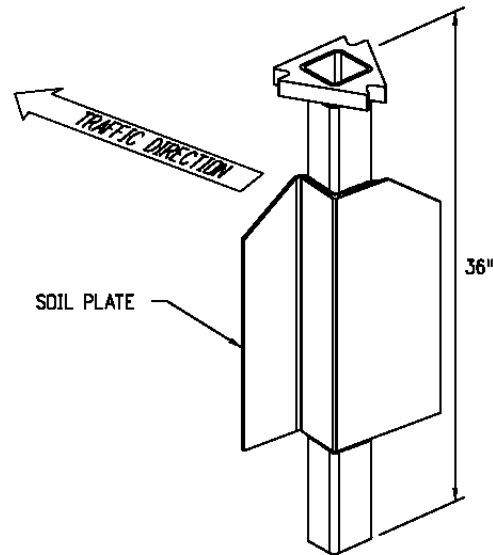
SQUARE TUBING SLIP BASE



U-CHANNEL SLIP BASE



SOIL ANCHOR DETAIL
(NOT TO EXCEED 4\"/>

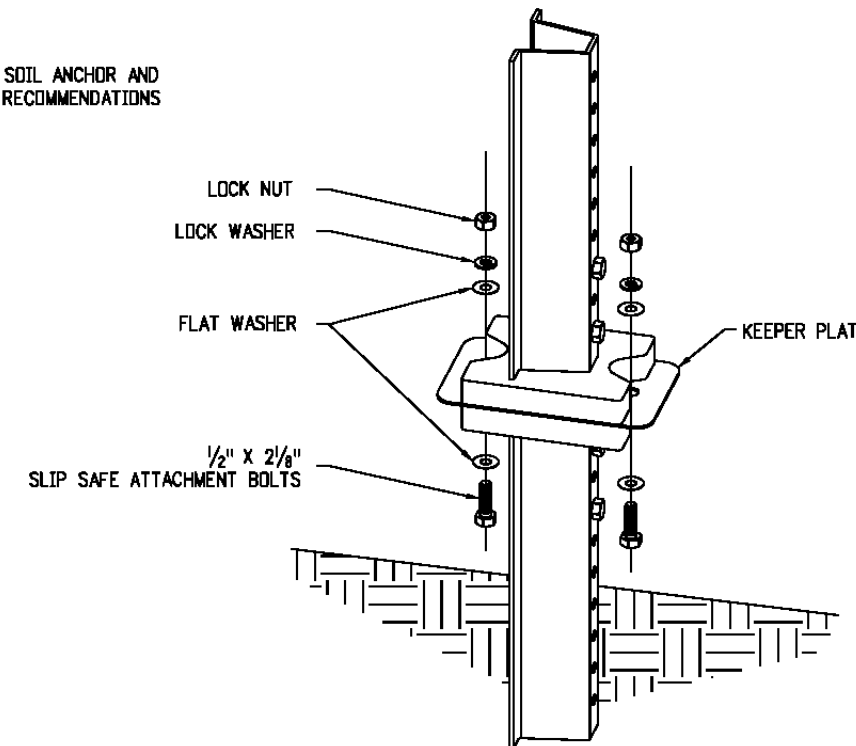


GENERAL NOTE:

THE CONTRACTOR SHALL INSTALL THE SOIL ANCHOR AND SLIP BASE PER THE MANUFACTURER'S RECOMMENDATIONS WITHOUT ADDITIONAL COMPENSATION.

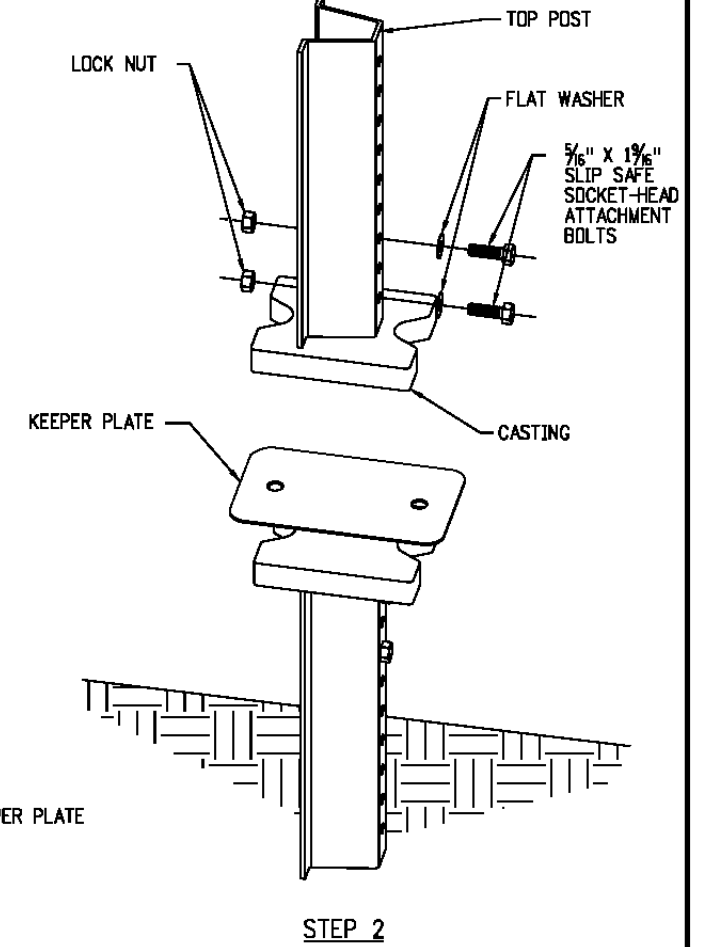
NOTE: BOLTS SHOULD BE TIGHTEN 1/2 TO 3/4 TURN AFTER SNUG.

STEP 1



NOTE: TIGHTEN NUT 1/4 TO 1/2 TURN AFTER SNUG.

STEP 3



MULTI-DIRECTIONAL SLIP BASE POST DETAILS

Computer File Information		Sheet Revisions		<p>Colorado Department of Transportation 2829 W. Howard Pl. Denver, CO 80204 Phone: 303-757-9436 FAX: 303-757-9219</p> <p>Traffic & Safety Engineering MKB</p>	<p>STEEL SIGN SUPPORT (TEMPORARY) INSTALLATION DETAILS</p> <p>Issued By: Traffic & Safety Engineering Branch July 31, 2019</p>	STANDARD PLAN NO.	
Creation Date: 07/04/12		Date:	Comments:			S-630-4	
Created By: KEN						Standard Sheet No. 2 of 2	
Last Modification Date:						Project Sheet Number:	
Last Modified By:							
CAD Ver.: MicroStation V8 Scale: Not to Scale Units: English							